

SYNCHRONOUS DRIVES

ITEM	PAGE
TIMING PULLEYS	K-2 – K-70
Terminology	K-3 – K-4
XL	K5
L	K-6 – K-10
H	K-11 – K-17
XH	K-18 – K-19
Selection Procedure	K-20 – K-21
Speed Up Drives	K-60
Drive Selection XL.....	K-22 – K-31
Drive Selection L	K-32 – K-43
Drive Selection H	K-44 – K-53
Drive Selection XH	K-54 – K-59
Non-Stock Design	K-61 – K-63
Timing Pulley Info	K-64
HP Ratings	K-65 – K-68
Diameter Tables	K-69 – K-70
HTS® Synchronous Sprockets.....	K-71 – K-168
HTS® Synchronous Sprockets	K-73 – K-84
5mm	K-73
8mm.....	K-74 - K-77
14mm.....	K-78 - K-82
20mm.....	K-83 - K-84
Sprocket Diameter.....	K-85 – K-88
Sprocket Selection	K-89 – K-93
Drive Selection Tables	K-94 – K-149
Belt Horsepower Tables	K-150 – K-162
RPP®.....	K-151 - K-157
RPP® Plus.....	K-158 - K-162
Engineering	K-163 – K-168
MPC™ Synchronous Sprockets.....	K-169
High HP HTS® Synchronous Sprockets.....	K-169 - K-192
8mm	K-170 - K-171
14mm	K-172 - K-173
Drive Selection Tables.....	K-174 - K-187
Belt Horsepower Tables.....	K-188 - K-192

Stock Timing Pulleys



STOCK TIMING PULLEYS

**1/5" - 7/8" PITCH
QD – TAPER BUSHED
AND STOCK BORE**



Stock Bore



Taper Bushed



QD

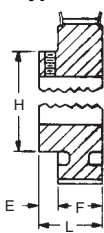
PITCH IN.	PULLEY DESIGNATION
1/5"	XL (Extra Light)
3/8"	L (Light)
1/2"	H (Heavy)
7/8"	XH (Extra Heavy)

Martin Timing Pulleys are manufactured to extremely close specifications and are stocked in minimum plain bore, Taper Bushed and Q.D. bushed styles depending on size and pitch.

See tables for stock pulley types. Bushings are priced separately and must be added to pulley price.

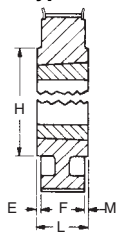
Illustrations below indicate stock pulley construction type listed in tables.

Type DF

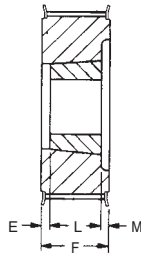


Type D

Type CF

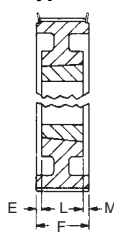


Type C

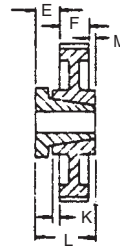


Type KF

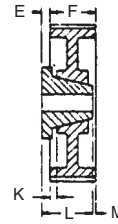
Type AF



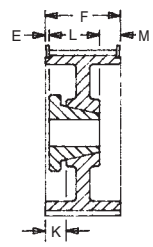
Type A



Type G



Type H



Type J

"F" designation in pulley type means pulley is flanged. When drive center distance is eight times the diameter of the smaller pulley or when drive is operating on vertical shafts, both pulleys should be flanged.

DEFINITION OF CATALOG NUMBERS

EX: TB 20L100

TB — Requires Taper Bushing

20 — Number of Teeth

L — 3/8" Pitch (Light)

100 — Belt Width 1"

EX: 72L100SD

72 — Number of Teeth

L — 3/8" Pitch (Light)

100 — Belt Width 1"

SD — Requires QD Bushing

EX: 16L100

Min. Plain Bore

Pulley Style Designation As Shown in Tables

Dash 1 = Block Body Style

Dash 2 = Web Style

Dash 3 = Arm/Spoke Style

Size XXH (1-1/4" Pitch).

Available as made-to-order.

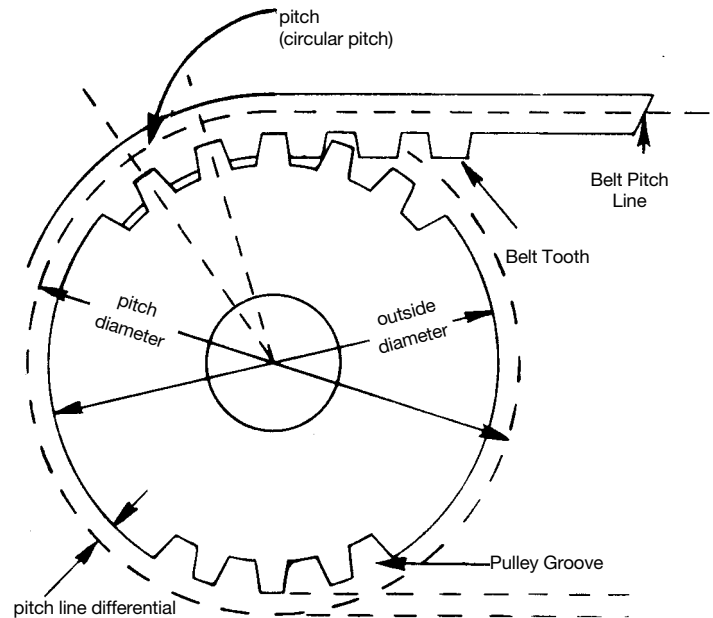
Call your nearest *Martin* facility.

Pulley sizes shown stocked as stock bore only: max. bore listed is without keyway. If keyway is used reduce max. bore by twice kw depth.

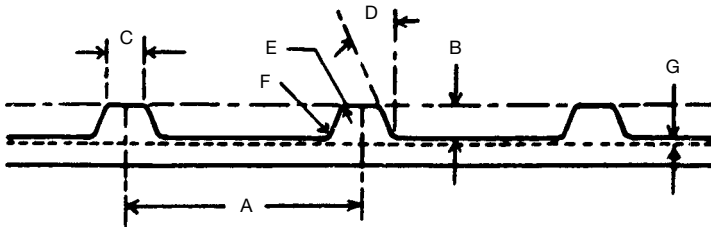
Let us quote your made-to-order and large quantity requirements.

Timing belts and pulleys — in order to handle a wide range of loads, speeds and applications at highest possible efficiencies — are made in five stock pitches. Circular pitch (usually referred to as pitch) is a basic consideration in the selection of timing pulleys as with gear and chain drives. Pitch is the distance between groove centers and is measured on the pulley pitch circle. On the belt, pitch is the distance between tooth centers and is measured on the pitch line of the belt.

The pitch line of the belt is located within the tension member and coincides with the pitch circle of the pulley mating with it. Any timing belt must be run with pulleys of the same pitch. A belt of one pitch cannot be used successfully with pulleys of a different pitch.



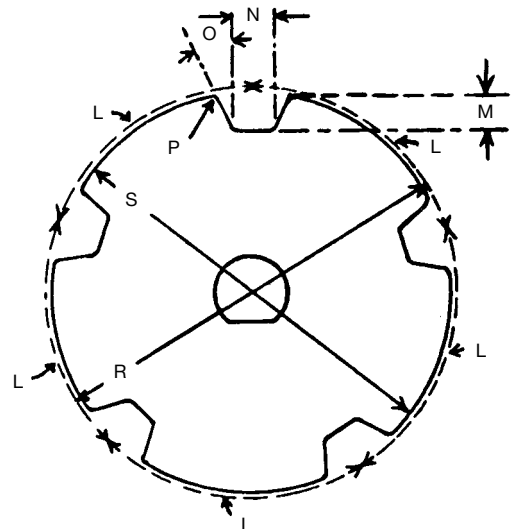
TIMING BELT TERMINOLOGY



- A Pitch of Teeth
- B Depth of Teeth
- C Width at Bottom of Teeth
- D Pressure Angle
- E Radius at Bottom of Teeth
- F Radius at Top of Teeth
- G Pitch Line Differential

Belt P.L. = "A" X Total No. of Teeth in Belt

TIMING PULLEY TERMINOLOGY



- L Circular Pitch of Groove
- M Minimum Depth of Groove, Including Clearance
- N Width of Groove at Minimum Depth, Including Clearance
- O Pressure Angle
- P Top Radius of Groove
- R Pitch Diameter (Always > S)
- S Outside Diameter

Timing Pulley Terminology



Timing Pulleys

Timing pulleys have evenly spaced axial grooves cut in their periphery to make correct, positive engagement with the mating teeth of the belt. These pulleys are designed so that the teeth of the belt enter and leave the grooves with negligible friction. All pulleys, stock and made-to-order, have minimum tooth-to-groove clearance (backlash). The pulley's pitch diameter will always be greater than its outside diameter. Pulleys are available in a wide range of stock widths and diameters.

Minimum Pulley Diameters

pitch	speed rpm	recommended minimum*	no. of grooves
		pitch diam. in.	
1/8 in. (XL)	3500	.764	12 XL
	1750	.637	10 XL
	1160	.637	10 XL
3/8 in. (L)	3500	1.910	16 L
	1750	1.671	14 L
	1160	1.432	12 L
1/2 in. (H)	3500	3.183	20 H
	1750	2.865	18 H
	1160	2.546	16 H
7/8 in. (XH)	1750	7.242	26 XH
	1160	6.685	24 XH
	870	6.127	22 XH
1 1/4 in. (XXH)	1750	10.345	26 XXH
	1160	9.549	24 XXH
	870	8.754	22 XXH

*Smaller diameter pulleys can be used if a corresponding reduction in belt service life is satisfactory.

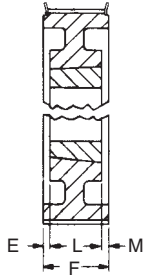
Flanged Pulleys

Because timing belts have an inherent, gentle side thrust, it is necessary to use at least one flanged pulley to prevent the belt from riding off. Generally, for economy, the smaller pulley in each drive is flanged. However, when the center distance is greater than eight times the diameter of the smaller pulley on drive ratios less than 3 to 1, or when the drive is operated on other than horizontal shafts — both pulleys should be flanged. When a drive has three pulleys, at least two should be flanged. If the drive has more than three pulleys, every other pulley should be flanged.

Pulley Diameters

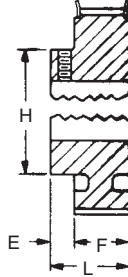
Stock timing belts should not be used over pulley diameters less than those recommended above without expecting some reduction in belt life. This reduced belt life is the result of flex fatigue of the steel tension members in the belt. If pulleys smaller than recommended must be used, the use of special timing belts should be considered.

Type AF



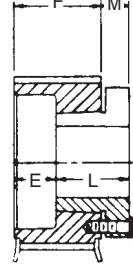
Type A

Type DF



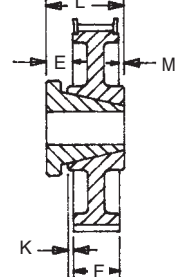
Type D

Type E



Type EF

Type GF



Type G

Dash 1 = Solid Style

Dash 2 = Web Style

Dash 3 = Arm/Spoke Style

"F" type description indicates flanged.

XL - 1/5" Pitch

XL 037 For Belts 1/4" and 3/8" Wide
Minimum Plain Bore

F = 1/16

No. Teeth	Part Number	Pitch Diam.	Max FL O.D.	Type	Bore		E	H	L	WT
					Stk.*	Max.				
10	10XL037	.637	.929	DF-1	3/16	1/4	7/32	7/16	27/32	.03
11	11XL037	.700	.929	DF-1	3/16	1/4	7/32	7/16	27/32	.04
12	12XL037	.764	.993	DF-1	3/16	5/16	7/32	1/2	27/32	.06
14	14XL037	.891	1.120	DF-1	1/4	3/8	7/32	9/16	27/32	.08
15	15XL037	.955	1.184	DF-1	1/4	7/16	7/32	5/8	27/32	.09
16	16XL037	1.019	1.248	DF-1	1/4	1/2	7/32	11/16	27/32	.10
18	18XL037	1.146	1.375	DF-1	1/4	9/16	7/32	13/16	27/32	.13
20	20XL037	1.273	1.502	DF-1	1/4	11/16	5/16	15/16	7/8	.18
21	21XL037	1.337	1.566	DF-1	1/4	11/16	5/16	15/16	7/8	.19
22	22XL037	1.401	1.630	DF-1	1/4	3/4	5/16	1	7/8	.22
24	24XL037	1.528	1.756	DF-1	1/4	13/16	5/16	1 1/16	7/8	.25
28	28XL037	1.783	2.011	DF-1	1/4	15/16	5/16	1 3/16	7/8	.34
30	30XL037	1.910	2.138	DF-1	3/8	1 1/16	5/16	1 3/8	7/8	.41
32	32XL037	2.037	—	D-1	3/8	1 3/16	7/16	1 1/2	1	.25
36	36XL037	2.292	—	D-1	3/8	1 3/8	7/16	1 1/2	1	.29
40	40XL037	2.546	—	D-1	3/8	1 3/8	7/16	1 1/2	1	.35
42	42XL037	2.674	—	D-2	3/8	1 3/8	7/16	1 1/2	1	.31
44	44XL037	2.801	—	D-2	3/8	1 3/8	7/16	1 1/2	1	.34
48	48XL037	3.056	—	D-2	3/8	1 3/8	7/16	1 1/2	1	.63
60	60XL037	3.820	—	D-2	3/8	1 3/8	7/16	1 1/2	1	.90
72	72XL037	4.584	—	D-2	3/8	1 3/8	7/16	1 1/2	1	.50

Note: XL Pulleys stocked min. plain bore with 2 setscrews @ 90°. If keyway is used, reduce max. bore by twice keyway depth.
Pulley O.D. = P.D. - .02".

L 3/8" Pitch

Stock Timing Pulleys



L - 3/8" Pitch

L050 For Belts 1/2" Wide
Minimum Plain Bore

$F = 3/4$

No. Teeth	Part Number	Pitch Diam.	Max FL O.D.	Type	Bore		Dimensions			Wt.
					Stk. *	Max.	E	H	L	
10	10L050	1.194	1 1/16	DF-1	3/8	3/16	3/8	1 3/16	1 1/8	.28
12	12L050	1.432	1 4/16	DF-1	3/8	3/16	1/2	1 1/8	1 1/4	.30
13	13L050	1.552	1 3/4	DF-1	3/8	1/8	1/2	1 1/8	1 1/4	.35
14	14L050	1.671	1 5/16	DF-1	3/8	7/16	1/2	1 1/8	1 1/4	.40
15	15L050	1.790	2	DF-1	1/2	1/8	1/2	1 1/8	1 1/4	.50
16	16L050	1.910	2 3/32	DF-1	1/2	1 1/8	3/8	1 1/8	1 3/8	.60
17	17L050	2.029	2 1/16	DF-1	1/2	1 1/8	3/8	1 1/8	1 3/8	.65
18	18L050	2.149	2 5/16	DF-1	1/2	1 3/16	3/8	1 3/8	1 3/8	.75
19	19L050	2.268	2 1/2	DF-1	1/2	1 1/2	3/8	1 3/8	1 3/8	.80
20	20L050	2.387	2 3/8	DF-1	1/2	1 1/4	3/8	1 11/16	1 3/8	.94
21	21L050	2.507	2 1/4	DF-1	1/2	1 1/8	1/2	1 1/8	1 1/8	1.00
22	22L050	2.626	2 1/2	DF-1	1/2	1 1/2	3/4	2	1 1/2	1.10
24	24L050	2.865	3 3/16	DF-1	1/2	1 3/8	3/4	2 1/4	1 1/2	1.60
26	26L050	3.104	3 1/32	DF-1	1/2	1 1/2	3/4	2 1/2	1 1/2	2.30
28	28L050	3.342	3 3/16	DF-1	1/2	1 3/8	3/4	2 3/4	1 1/2	2.50
30	30L050	3.581	3 3/8	DF-1	1/2	1 3/4	3/4	2 3/4	1 1/2	2.70
32	32L050	3.820	4 1/16	DF-1	1/2	1 3/4	7/8	3 1/16	1 1/2	3.00

L Pulleys 10 - 16 teeth min. plain bore stocked with 1 set screw. If keyway is used, reduced maximum bore by twice keyway depth.
Dimensions in inches. Weight in pounds
Pulley O.D. = P.D. - .03"

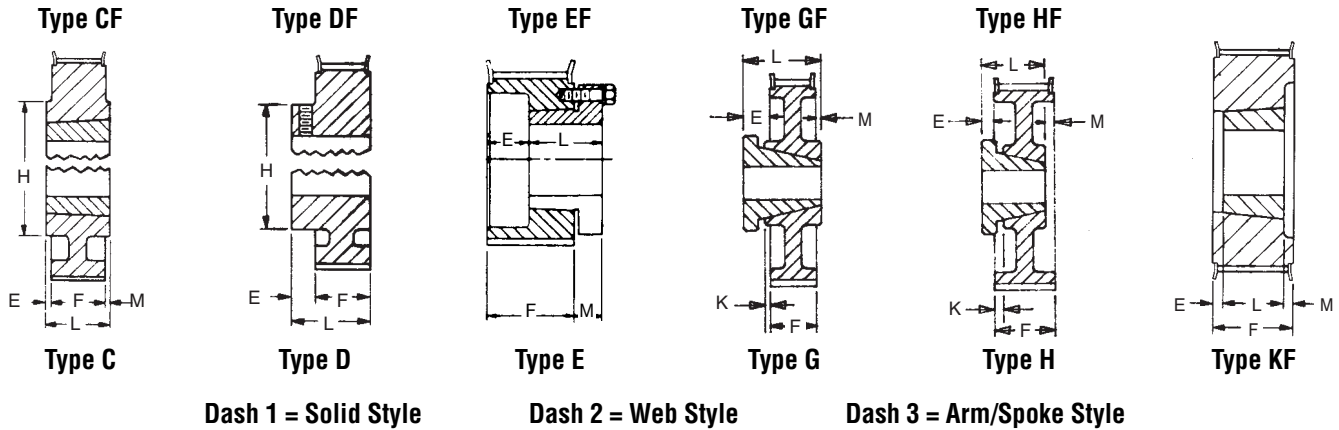
L050 For Belts 1/2" Wide (3/8" Pitch) QD Type

$F = 3/4$

No. Teeth	Part Number	Pitch Diam.	Max FL O.D.	Type	Bush	Bore Range	Dimensions				Wt. Less Bush.
							E	K	L	M	
18	18L050JA	2.149	2 29/64	EF-1*	JA	1/2-1 1/4	3/16	—	1 1/16	1/2	.40
20	20L050JA	2.387	2 3/8	EF-1*	JA	1/2-1 1/4	3/16	—	1 1/16	1/2	.50
22	22L050JA	2.626	2 1/2	EF-1*	JA	1/2-1 1/4	3/16	—	1 1/16	1/2	.70
24	24L050SH	2.865	3 3/16	GF-1 +	SH	1/2-1 11/16	3/16	—	1 1/16	0	.70
26	26L050SH	3.104	3 1/32	GF-1 +	SH	1/2-1 11/16	3/16	0	1 1/16	0	1.00
28	28L050SH	3.342	3 37/64	GF-1 +	SH	1/2-1 11/16	3/16	0	1 1/16	0	1.10
30	30L050SDS	3.581	3 39/64	GF-1	SDS	1/2-2	3/8	0	1 3/8	0	1.10
32	32L050SDS	3.820	4 1/16	GF-1	SDS	1/2-2	3/8	0	1 3/8	0	1.40
36	36L050SDS	4.297	4 17/32	GF-1	SDS	1/2-2	3/8	0	1 3/8	0	2.00
40	40L050SDS	4.775	5 1/16	GF-1	SDS	1/2-2	3/8	0	1 3/8	0	2.80
44	44L050SDS	5.252	5 21/64	GF-1	SDS	1/2-2	3/8	0	1 3/8	0	3.60
48	48L050SDS	5.730	6 1/16	GF-1	SDS	1/2-2	3/8	0	1 3/8	0	4.40
60	60L050SD	7.162	—	G-3	SD	1/2-2	3/8	1/4	1 3/16	1/4	4.20
72	72L050SD	8.594	—	G-3	SD	1/2-2	3/8	1/4	1 3/16	1/4	6.60
84	84L050SD	10.027	—	G-3	SD	1/2-2	3/8	1/4	1 3/16	1/4	5.80

Dimensions in inches. Weight in pounds
Pulley O.D. = P.D. - .03"
*Reverse mount drilled only
+Bushing Projects 1/16 on Small End.

L050 Taper Bushed
on Page K7



L050 For Belts 1/2" Wide (3/8" Pitch) Taper Bushed Type

$$F = \frac{3}{4}$$

No. Teeth	Part Number	Pitch Diam.	Max FL O.D.	Type	Bush	Bore Range	Dimensions				Wt. Less Bush.
							E	H	L	M	
18	TB18L050	2.149	2 ²⁵ / ₆₄	CF-1	1008	1/2-1	1/8	1 1/8	3/8	—	0.45
20	TB20L050	2.387	2 2/8	CF-1	1008	1/2-1	1/8	1 11/16	3/8	—	0.68
22	TB22L050	2.626	2 7/8	CF-1	1008	1/2-1	1/8	2	3/8	—	0.90
24	TB24L050	2.865	3 1/8	CF-1	1210	1/2-1 1/4	1/4	2 1/4	1	—	1.00
26	TB26L050	3.104	3 1 3/32	CF-1	1210	1/2-1 1/4	1/4	2 1/2	1	—	1.20
28	TB28L050	3.342	3 3 3/64	CF-1	1610	1/2-1 1/4	1/4	2 3/4	1	—	1.40
30	TB30L050	3.581	3 5 3/64	CF-1	1610	1/2-1 1/2	1/4	2 7/8	1	—	1.50
32	TB32L050	3.820	4 1/16	CF-1	1610	1/2-1 1/2	1/4	3 1/16	1	—	1.90
40	TB40L050	4.775	5 1/8	CF-1	2012	1/2-2	1/2	3 1 1/16	1 1/4	—	2.40
48	TB48L050	5.730	6 1/8	CF-1	2012	1/2-2	1/2	3 1 1/16	1 1/4	—	3.20
60	TB60L050	7.162	—	C-2	2012	1/2-2	1/4	4 3/8	1 1/4	1/4	4.90

Dimensions in inches. Weight in pounds
Pulley O.D. = P.D. - .03"

L075 For Belts 3/4" Wide (3/8" Pitch) Minimum Plain Bore

$$F = 1$$

No. Teeth	Part Number	Pitch Diam.	Max FL O.D.	Type	Bore		Dimensions			Wt.
					Stk. *	Max.	E	H	L	
12	12L075	1.432	1 13/64	DF-1	3/8	1 1/16	1/2	1 1/16	1 1/2	.40
14	14L075	1.671	1 9/64	DF-1	3/8	7/8	1/2	1 1/8	1 1/2	.50
16	16L075	1.910	2 2/32	DF-1	1/2	1 1/8	5/8	1 7/16	1 3/4	.70
18	18L075	2.149	2 25/64	DF-1	1/2	1 1/8	5/8	1 1/8	1 3/4	.90
20	20L075	2.387	2 7/8	DF-1	1/2	1 1/4	5/8	1 1 1/16	1 3/4	1.5
22	22L075	2.626	2 7/8	DF-1	3/4	1 1/2	3/4	2	1 3/4	1.8
24	24L075	2.865	3 3/64	DF-1	3/4	1 5/8	3/4	2 1/4	1 3/4	2.1
26	26L075	3.104	3 1 1/32	DF-1	3/4	1 3/4	7/8	2 1/2	1 3/4	2.8
28	28L075	3.342	3 3 3/64	DF-1	3/4	1 7/8	1	2 3/4	2	3.1
30	30L075	3.581	3 5 3/64	DF-1	3/4	1 7/8	1	2 3/4	2	3.4
32	32L075	3.820	4 1/16	DF-1	3/4	1 7/8	1	3 1/16	2	3.7

Dimensions in inches. Weight in pounds.

Pulley O.D. = P.D. - .03"

L Pulleys 12 - 16 teeth min. plain bore stocked with 1-SS. If keyway is used, reduce maximum bore by twice keyway depth.

L

3/8" Pitch

Stock Timing Pulleys

L075 For Belts 3/4" Wide (3/8" Pitch)

QD Type

F = 1

No. Teeth	Part Number	Pitch Diam.	Max FL O.D.	Type	Bush	Bore Range	Dimensions				Wt. Less Bush.
							E	K	L	M	
18	18L075JA	2.149	2 ²⁹ / ₆₄	EF-1*	JA	1/2 - 1 1/4	7/16	—	1 1/16	1/2	.50
20	20L075JA	2.387	2 5/8	EF-1*	JA	1/2 - 1 1/4	7/16	—	1 1/16	1/2	.70
22	22L075JA	2.626	2 7/8	EF-1*	JA	1/2 - 1 1/4	7/16	—	1 1/16	1/2	.80
24	24L075SH	2.865	3 1/64	EF-1*	SH	1/2 - 1 11/16	3/16	—	1 5/16	5/16	.80
26	26L075SH	3.104	3 17/32	EF-1*	SH	1/2 - 1 11/16	3/16	—	1 5/16	5/16	1.1
28	28L075SH	3.342	3 7/64	EF-1*	SH	1/2 - 1 11/16	3/16	—	1 5/16	5/16	1.3
30	30L075SDS	3.581	3 9/64	EF-1*	SDS	1/2 - 2	1/4	—	1 3/8	5/8	1.5
32	32L075SDS	3.820	4 1/16	EF-1*	SDS	1/2 - 2	1/4	—	1 3/8	5/8	1.7
36	36L075SDS	4.297	4 17/32	HF-1	SDS	1/2 - 2	3/8	1/4	1 3/8	0	2.3
40	40L075SDS	4.775	5 1/64	HF-1	SDS	1/2 - 2	3/8	1/4	1 3/8	0	3.1
44	44L075SDS	5.252	5 7/64	HF-1	SDS	1/2 - 2	3/8	1/4	1 3/8	0	4.0
48	48L075SDS	5.730	6 1/64	HF-1	SDS	1/2 - 2	3/8	1/4	1 3/8	0	4.6
60	60L075SD	7.162	—	G-3	SD	1/2 - 2	1 1/16	1/8	1 13/16	1/8	4.7
72	72L075SD	8.594	—	G-3	SD	1/2 - 2	1 1/16	1/8	1 13/16	1/8	6.5
84	84L075SD	10.027	—	G-3	SD	1/2 - 2	1 1/16	1/8	1 13/16	1/8	6.3

Dimensions in inches. Weight in pounds

Pulley O.D. = P.D. - .03"

*Reverse mount only

L075 For Belts 3/4" Wide (3/8" Pitch)

Taper Bushed Type

No. Teeth	Part Number	Pitch Diam.	Max FL O.D.	Type	Bush	Bore Range	Dimensions				Wt. Less Bush.
							E	H	L	M	
18	TB18L075	2.149	2 ²⁹ / ₆₄	KF-1	1008	1/2 - 1	1/8	—	7/8	—	.50
20	TB20L075	2.387	2 5/8	KF-1	1008	1/2 - 1	1/8	—	7/8	—	.70
22	TB22L075	2.626	2 7/8	KF-1	1008	1/2 - 1	1/8	—	7/8	—	1.10
24	TB24L075	2.865	3 1/64	KF-1	1210	1/2 - 1 1/4	—	—	1	—	.90
26	TB26L075	3.104	3 17/32	KF-1	1210	1/2 - 1 1/4	—	—	1	—	1.30
28	TB28L075	3.342	3 37/64	KF-1	1610	1/2 - 1 5/8	—	—	1	—	1.30
30	TB30L075	3.581	3 9/64	KF-1	1610	1/2 - 1 5/8	—	—	1	—	1.60
32	TB32L075	3.820	4 1/16	KF-1	1610	1/2 - 1 5/8	—	—	1	—	1.80
40	TB40L075	4.775	5 1/64	CF-1	2012	1/2 - 2	1/4	3 15/16	1 1/4	—	3.60
48	TB48L075	5.730	6 1/64	CF-1	2012	1/2 - 2	1/4	3 15/16	1 1/4	—	5.40
60	TB60L075	7.162	—	C-1	2012	1/2 - 2	1/8	4 3/8	1 1/4	1/8	7.90

Dimensions in inches. Weight in pounds

Pulley O.D. = P.D. - .03"



Stock Timing Pulleys

L
3/8" Pitch

L100 For Belts 1" Wide (3/8" Pitch) Minimum Plain Bore

F = 1/4

No. Teeth	Part Number	Pitch Diam.	Max FL O.D.	Type	Bore		Dimensions			Wt.
					Stk.*	Max.	E	H	L	
14	14L100	1.671	1 ⁵⁹ / ₆₄	DF-1	3/8	7/8	1/2	1 1/8	1 1/4	.60
16	16L100	1.910	2 ⁵ / ₃₂	DF-1	1/2	1 1/8	5/8	1 1/16	1 1/8	.80
17	17L100	2.029	2 ⁹ / ₃₂	DF-1	1/2	1 1/8	5/8	1 1/2	1 1/8	1.0
18	18L100	2.149	2 ²⁹ / ₆₄	DF-1	1/2	1 3/16	5/8	1 1/8	1 1/4	1.1
19	19L100	2.268	2 3/8	DF-1	1/2	1 3/16	5/8	1 1/8	1 1/4	1.4
20	20L100	2.387	2 3/8	DF-1	1/2	1 3/16	5/8	1 1/16	1 1/8	1.75
21	21L100	2.507	2 7/4	DF-1	5/8	1 1/16	11/16	1 1/8	1 1/8	1.80
22	22L100	2.626	2 7/8	DF-1	5/8	1 1/2	3/4	2	2	2.0
24	24L100	2.865	3 3/64	DF-1	5/8	1 5/8	3/4	2 1/4	2	2.5
26	26L100	3.104	3 11/32	DF-1	5/8	1 5/8	7/8	2 1/2	2 1/4	3.3
28	28L100	3.342	3 37/64	DF-1	5/8	1 5/8	1	2 3/4	2 1/4	3.6
30	30L100	3.581	3 59/64	DF-1	5/8	1 5/8	1	2 5/8	2 1/4	4.0
32	32L100	3.820	4 1/16	DF-1	5/8	1 5/8	1	3 1/16	2 1/4	4.4

Dimensions in inches. Weight in pounds

Pulley O.D. = P.D. - .03"

L Pulleys 14 - 16 teeth min. plain bore stocked with 1-S.S. If keyway is used, reduce maximum bore by twice keyway depth.

L100 For Belts 1" Wide (3/8" Pitch) QD Type

F = 1/4

No. Teeth	Part Number	Pitch Diam.	Max FL O.D.	Type	Bush	Bore Range	Dimensions				Wt. Less Bush.
							E	K	L	M	
18	18L100JA	2.149	2 ²⁹ / ₆₄	EF-1*	JA	1/2 - 1 1/4	1 1/16	—	1 1/16	1/2	.70
20	20L100JA	2.387	2 3/8	EF-1*	JA	1/2 - 1 1/4	1 1/16	—	1 1/16	1/2	.90
22	22L100JA	2.626	2 7/8	EF-1*	JA	1/2 - 1 1/4	1 1/16	—	1 1/16	1/2	1.0
24	24L100SH	2.865	3 3/64	EF-1*	SH	1/2 - 1 11/16	7/16	—	1 1/16	5/16	1.0
26	26L100SH	3.104	3 11/32	EF-1*	SH	1/2 - 1 11/16	7/16	—	1 1/16	5/16	1.3
28	28L100SH	3.342	3 37/64	EF-1*	SH	1/2 - 1 11/16	7/16	—	1 1/16	5/16	1.7
30	30L100SDS	3.581	3 59/64	EF-1*	SDS	1/2 - 2	1/2	—	1 3/8	5/8	2.0
32	32L100SDS	3.820	4 1/16	EF-1*	SDS	1/2 - 2	1/2	—	1 3/8	5/8	2.1
36	36L100SDS	4.297	4 17/32	HF-1	SDS	1/2 - 2	1/2	1/2	1 3/8	0	2.6
40	40L100SDS	4.775	5 1/64	HF-1	SDS	1/2 - 2	1/2	1/2	1 3/8	0	3.4
44	44L100SDS	5.252	5 59/64	HF-1	SDS	1/2 - 2	1/2	1/2	1 3/8	0	4.2
48	48L100SDS	5.730	6 1/64	HF-1	SDS	1/2 - 2	1/2	1/2	1 3/8	0	5.1
60	60L100SD	7.162	—	G-3	SD	1/2 - 2	5/8	0	1 13/16	0	6.0
72	72L100SD	8.594	—	G-3	SD	1/2 - 2	5/8	0	1 13/16	0	8.0
84	84L100SD	10.027	—	G-3	SD	1/2 - 2	5/8	0	1 13/16	0	9.2

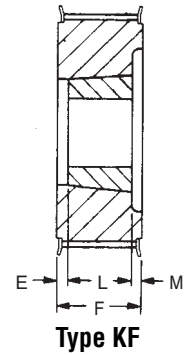
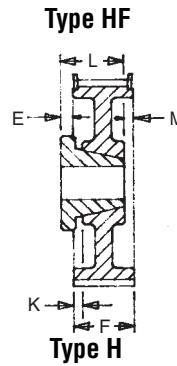
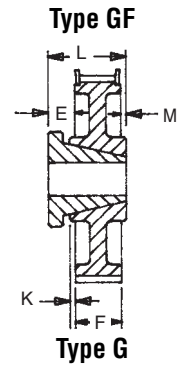
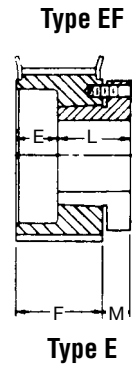
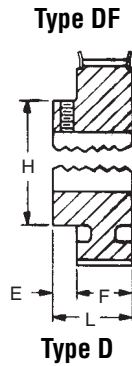
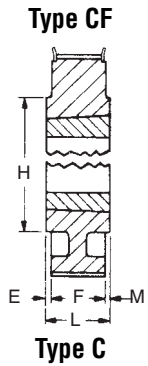
Dimensions in inches. Weight in pounds

Pulley O.D. = P.D. - .03"

*Reverse mount only

L 3/8" Pitch

Stock Timing Pulleys



Dash 1 = Solid Style

Dash 2 = Web Style

Dash 3 = Arm/Spoke Style

"F" in type description indicates flanged.

L100 For Belts 1" Wide (3/8" Pitch) Taper Bushed Type

F = 1 1/4

No. Teeth	Part Number	Pitch Diam.	Max FL.O.D.	Type	Bush	Bore Range	Dimensions				Wt. Less Bush.
							E	K	L	M	
18	TB18L100	2.149	2 ²⁹ / ₆₄	KF-1	1008	1/2 - 1	3/8	—	3/8	—	.70
20	TB20L100	2.387	2 ³ / ₈	KF-1	1008	1/2 - 1	3/8	—	3/8	—	1.0
22	TB22L100	2.626	2 ⁵ / ₁₆	KF-1	1008	1/2 - 1	3/8	—	3/8	—	1.3
24	TB24L100	2.865	3 ¹ / ₁₆	KF-1	1210	1/2 - 1 1/4	1/4	—	1	—	1.3
26	TB26L100	3.104	3 ¹ / ₈	KF-1	1210	1/2 - 1 1/4	1/4	—	1	—	1.7
28	TB28L100	3.342	3 ³ / ₁₆	KF-1	1610	1/2 - 1 3/8	1/4	—	1	—	1.7
30	TB30L100	3.581	3 ⁵ / ₁₆	KF-1	1610	1/2 - 1 3/8	1/4	—	1	—	2.2
32	TB32L100	3.820	4 ¹ / ₁₆	KF-1	1610	1/2 - 1 3/8	1/4	—	1	—	2.7
40	TB40L100	4.775	5 ¹ / ₁₆	KF-1	2012	1/2 - 2	1/16	—	1 1/4	—	3.6
48	TB48L100	5.730	6 ¹ / ₁₆	KF-1	2012	1/2 - 2	1/16	—	1 1/4	—	5.1
60	TB60L100	7.162	—	C-2	2012	1/2 - 2	—	—	1 1/4	—	6.0

Dimensions in inches. Weight in pounds
Pulley O.D. = P.D. - .03"

PULLEYS



Stock Timing Pulleys

H 1/2" Pitch

H — 1/2" Pitch

H100 For Belts 3/4" and 1" Wide (1/2" Pitch)

Minimum Plain Bore

F = 1 5/16

No. Teeth	Part Number	Pitch Diam.	Max FL. O.D.	Type	Bore		Dimensions			Wt.
					Stk.	Max.	E	H	L	
14	14H100	2.228	2 ³¹ / ₆₄	DF-1	5/8	1	5/8	1 1/2	1 ¹⁵ / ₁₆	1.4
16	16H100	2.546	2 ⁵ / ₁₆	DF-1	5/8	1 1/4	1 ¹ / ₁₆	2	2	2.0
18	18H100	2.865	3 ³ / ₁₆	DF-1	5/8	1 1/2	1 ¹ / ₁₆	2 1/4	2	2.8
20	20H100	3.183	3 ⁷ / ₁₆	DF-1	5/8	1 5/8	7/8	2 1/2	2 ³ / ₁₆	3.4
21	21H100	3.342	3 ⁷ / ₁₆	DF-1	5/8	1 11/16	1	2 5/8	2 1/4	3.8
22	22H100	3.501	3 3/4	DF-1	3/4	1 7/8	1	2 5/8	2 ⁵ / ₁₆	4.3
24	24H100	3.820	4 ¹ / ₁₆	DF-1	3/4	2 1/8	1	3 3/8	2 ⁵ / ₁₆	5.3
26	26H100	4.138	4 ²⁵ / ₆₄	DF-1	3/4	2 1/2	1 1/8	3 3/8	2 ⁵ / ₁₆	6.7
28	28H100	4.456	4 ⁵ / ₁₆	DF-1	3/4	2 5/8	1 1/8	3 5/8	2 ⁵ / ₁₆	8.0

Dimensions in inches. Weight in pounds
Pulley O.D. = P.D. - .054"

H100 For Belts 3/4" and 1" Wide (1/2" Pitch)

QD Type

F = 1 5/16

No. Teeth	Part Number	Pitch Diam.	Max FL. O.D.	Type	Bush	Bore Range	Dimensions					Wt. Less Bush.
							E	H	K	L	M	
14	14H100JA	2.228	2 ³¹ / ₆₄	EF-1*	JA	1/2 - 1 1/4	3/4	—	—	1 1/16	1/2	1.0
16	16H100JA	2.546	2 ⁵ / ₁₆	EF-1*	JA	1/2 - 1 1/4	3/4	—	—	1 1/16	1/2	1.5
18	18H100SH	2.865	3 ³ / ₁₆	EF-1*	SH	1/2 - 1 11/16	9/16	—	—	1 3/16	5/16	1.2
20	20H100SH	3.183	3 ⁷ / ₁₆	EF-1*	SH	1/2 - 1 11/16	9/16	—	—	1 5/16	9/16	1.2
22	22H100SDS	3.501	3 3/4	EF-1*	SDS	1/2 - 2	9/16	—	—	1 1/8	5/8	1.4
24	24H100SDS	3.820	4 ¹ / ₁₆	EF-1*	SDS	1/2 - 2	9/16	—	—	1 3/8	5/8	1.7
26	26H100SDS	4.138	4 ²⁵ / ₆₄	HF-1	SDS	1/2 - 2	1/16	—	9/16	1 3/8	—	2.0
28	28H100SDS	4.456	4 ⁴⁵ / ₆₄	HF-1	SDS	1/2 - 2	1/16	—	9/16	1 3/8	—	2.6
30	30H100SD	4.775	5 ¹ / ₁₆	GF-1	SD	1/2 - 2	5/8	—	—	1 3/16	—	3.0
32	32H100SK	5.093	5 ²¹ / ₆₄	GF-1	SK	1/2 - 2 5/8	1 1/16	—	—	1 5/16	—	4.9
36	36H100SK	5.730	5 ⁵¹ / ₆₄	GF-1	SK	1/2 - 2 5/8	1 1/16	—	—	1 5/16	—	5.6
40	40H100SK	6.366	6 ³⁷ / ₆₄	GF-1	SK	1/2 - 2 5/8	1 1/16	—	—	1 5/16	—	8.2
44	44H100SK	7.003	7 1/4	GF-1	SK	1/2 - 2 5/8	1 1/16	—	—	1 5/16	—	10.0
48	48H100SK	7.639	8 ¹ / ₁₆	GF-2	SK	1/2 - 2 5/8	1 1/16	—	—	1 5/16	—	12.5
60	60H100SF	9.549	—	H-2	SF	1/2 - 2 15/16	1 1/16	—	—	2 1/16	—	10.9
72	72H100SF	11.459	—	H-3	SF	1/2 - 2 15/16	1 1/16	—	—	2 1/16	—	14.0
84	84H100SF	13.369	—	H-3	SF	1/2 - 2 15/16	1 1/16	5 1/8	—	2 1/16	—	20.0
96	96H100SF	15.279	—	H-3	SF	1/2 - 2 15/16	1 1/16	5 1/8	—	2 1/16	—	27.0
120	120H100SF	19.099	—	H-3	SF	1/2 - 2 15/16	1 1/16	5 1/8	—	2 1/16	—	38.0

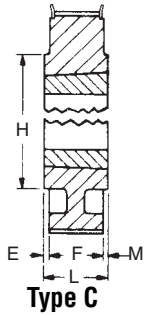
Dimensions in inches. Weight in pounds
Pulley O.D. = P.D. - .054"

*Reverse mount only

H 1/2" Pitch

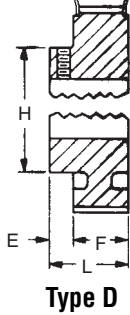
Stock Timing Pulleys

Type CF



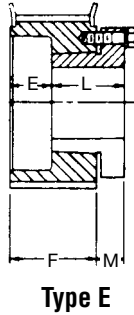
Type C

Type DF



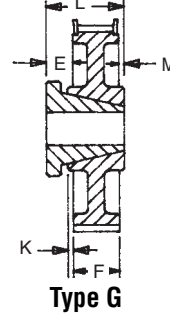
Type D

Type EF



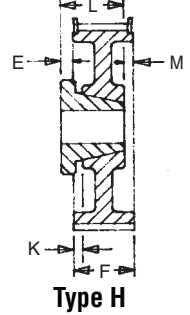
Type E

Type GF



Type G

Type HF



Type H

Dash 1 = Solid Style Dash 2 = Web Style Dash 3 = Arm/Spoke Style

"F" in description indicates flanged.

H100 For Belts 3/4" and 1" Wide (1/2" Pitch) Taper Bushed Type

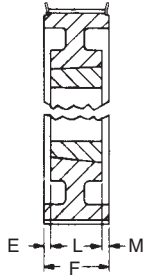
F = 1 5/16

No. Teeth	Part Number	Pitch Diam.	Max Fl. O.D.	Type	Bush	Bore Range	Dimensions				Wt. Less Bush.
							E	H	L	M	
14	TB14H100	2.228	2 ³ / ₆₄	KF-1	1008	1/2 - 1	7/16	—	7/8	—	.80
16	TB16H100	2.546	2 ⁵ / ₆₄	KF-1	1008	1/2 - 1	7/16	—	7/8	—	1.3
18	TB18H100	2.865	3 ³ / ₆₄	KF-1	1210	1/2 - 1 1/4	9/16	—	1	—	1.2
20	TB20H100	3.183	3 ⁷ / ₆₄	KF-1	1210	1/2 - 1 1/4	9/16	—	1	—	1.7
22	TB22H100	3.501	3 3/4	KF-1	1610	1/2 - 1 3/8	9/16	—	1	—	1.8
24	TB24H100	3.820	4 ¹ / ₆₄	KF-1	1610	1/2 - 1 3/8	5/16	—	1	—	2.3
26	TB26H100	4.138	4 ² / ₆₄	KF-1	2012	1/2 - 2	1/16	—	1 1/4	—	2.6
28	TB28H100	4.456	4 ⁴ / ₆₄	KF-1	2012	1/2 - 2	1/16	—	1 1/4	—	2.8
30	TB30H100	4.775	5 ¹ / ₆₄	KF-1	2012	1/2 - 2	1/16	—	1 1/4	—	4.2
32	TB32H100	5.093	5 ³ / ₆₄	CF-1	2517	1/2 - 2 1/2	7/16	4 ⁷ / ₁₆	1 3/4	—	4.3
40	TB40H100	6.366	6 ³ / ₆₄	CF-1	2517	1/2 - 2 1/2	7/16	4 ⁷ / ₁₆	1 3/4	—	7.8
48	TB48H100	7.639	8 ¹ / ₆₄	CF-1	2517	1/2 - 2 1/2	7/16	4 ⁷ / ₁₆	1 3/4	—	12.1
60	TB60H100	9.549	—	C-2	3020	1/2 - 3	1 ¹ / ₃₂	6 ¹ / ₄	2	1 ¹ / ₃₂	10.3

Dimensions in inches. Weight in pounds
Pulley O.D. = P.D. + .054"

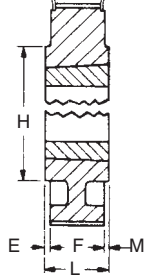
PULLEYS

Type AF



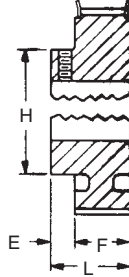
Type A

Type CF



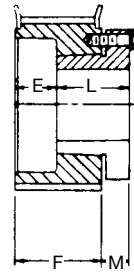
Type C

Type DF



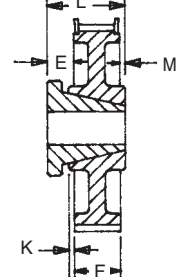
Type D

Type EF



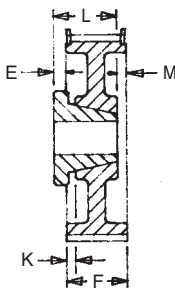
Type E

Type GF

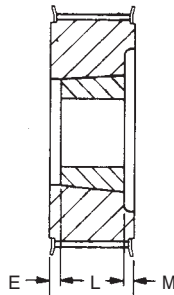


Type G

Type HF



Type H



Type KF

Dash 1 = Solid Style

Dash 2 = Web Style

Dash 3 = Arm/Spoke Style

"F" in type description indicates flanged.

H150 For Belts 1 1/2" Wide (1/2" Pitch) Minimum Plain Bore

$$F = 1\frac{13}{16}$$

No. Teeth	Part Number	Pitch Diam.	Max FL O.D.	Type	Bore		Dimensions			Wt.
					Stk.	Max.	E	H	L	
14	14H150	2.228	2 ³ / ₆₄	DF-1	3/4	1	5/8	1 1/2	2 ⁷ / ₁₆	1.8
16	16H150	2.546	2 ⁵ / ₆₄	DF-1	3/4	1 1/4	3/4	2	2 ⁵ / ₁₆	2.5
18	18H150	2.865	3 ³ / ₆₄	DF-1	3/4	1 1/2	3/4	2 1/4	2 ⁵ / ₁₆	3.3
19	19H150	3.024	3/4	DF-1	3/4	1 15/16	7/8	2 1/4	2 ⁵ / ₁₆	3.9
20	20H150	3.183	3 ⁷ / ₁₆	DF-1	3/4	1 5/8	7/8	2 1/2	2 ¹¹ / ₁₆	4.3
21	21H150	3.342	3 ⁹ / ₁₆	DF-1	3/4	1 11/16	15/16	2 1/2	2 ³ / ₄	5.3
22	22H150	3.501	3/4	DF-1	3/4	1 7/8	1	2 5/8	2 ¹³ / ₁₆	5.4
24	24H150	3.820	4 ¹ / ₁₆	DF-1	3/4	2 1/8	1	3 1/4	2 ¹³ / ₁₆	6.5
26	26H150	4.138	4 ²⁵ / ₃₂	DF-1	3/4	2 1/2	1	3 1/2	2 ¹³ / ₁₆	8.4

Dimensions in inches. Weight in pounds
Pulley O.D. = P.D. - .054"

H 1/2" Pitch

Stock Timing Pulleys

H150 For Belts 1 1/2" Wide (1/2" Pitch) QD Type

F = 1 13/16

No. Teeth	Part Number	Pitch Diam.	Max FL O.D.	Type	Bush.	Bore Range	Dimensions				Wt. Less Bush.
							E	K	L	M	
14	14H150JA	2.228	2 ³ / ₆₄	EF-1*	JA	1/2 - 1 1/4	1 1/4	—	1 1/16	1/2	1.5
16	16H150JA	2.546	2 ⁵ / ₆₄	EF-1*	JA	1/2 - 1 1/4	1 1/4	—	1 1/16	1/2	2.0
18	18H150SH	2.865	3 ³ / ₆₄	EF-1*	SH	1/2 - 1 11/16	1	—	1 1/16	5/16	1.3
20	20H150SH	3.183	3 ⁷ / ₆₄	EF-1*	SH	1/2 - 1 11/16	1	—	1 1/16	5/16	1.8
22	22H150SD	3.501	3 3/4	EF-1*	SD	1/2 - 2	5/16	—	1 1/16	5/8	2.0
24	24H150SD	3.820	4 1/16	EF-1*	SD	1/2 - 2	9/16	—	1 1/16	5/8	2.6
26	26H150SD	4.138	4 ²⁹ / ₃₂	HF-1	SD	1/2 - 2	1/16	5/16	1 1/16	1/16	3.0
28	28H150SD	4.456	4 ⁴⁹ / ₆₄	HF-1	SD	1/2 - 2	1/16	5/16	1 1/16	1/16	4.0
30	30H150SD	4.775	5 ⁵ / ₆₄	HF-1	SD	1/2 - 2	1/16	5/16	1 1/16	1/16	4.9
32	32H150SK	5.093	5 ⁷ / ₆₄	HF-1	SK	1/2 - 2 5/16	1/8	5/16	1 15/16	0	5.8
36	36H150SK	5.730	5 ⁵¹ / ₆₄	HF-1	SK	1/2 - 2 5/16	1/8	5/16	1 15/16	0	7.0
40	40H150SK	6.366	6 ³ / ₆₄	HF-1	SK	1/2 - 2 5/16	1/8	5/16	1 15/16	0	9.2
44	44H150SK	7.003	7 1/4	HF-1	SK	1/2 - 2 5/16	1/8	5/16	1 15/16	0	11.0
48	48H150SK	7.639	8 ⁵ / ₆₄	HF-2	SK	1/2 - 2 5/16	1/8	5/16	1 15/16	0	13.7
60	60H150SF	9.549	—	H-2	SF	1/2 - 2 15/16	1 ¹³ / ₃₂	5/32	2 1/16	5/32	12.5
72	72H150SF	11.459	—	H-3	SF	1/2 - 2 15/16	1 ¹³ / ₃₂	5/32	2 1/16	5/32	17.0
84	84H150SF	13.369	—	H-3	SF	1/2 - 2 15/16	1 ¹³ / ₃₂	5/32	2 1/16	5/32	21.5
96	96H150SF	15.279	—	H-3	SF	1/2 - 2 15/16	1 ¹³ / ₃₂	5/32	2 1/16	5/32	31.0
120	120H150SF	19.099	—	H-3	SF	1/2 - 2 15/16	1 ¹³ / ₃₂	5/32	2 1/16	5/32	40.0

Dimensions in inches. Weight in pounds

Pulley O.D. = P.D. - .054"

*Reverse mount only

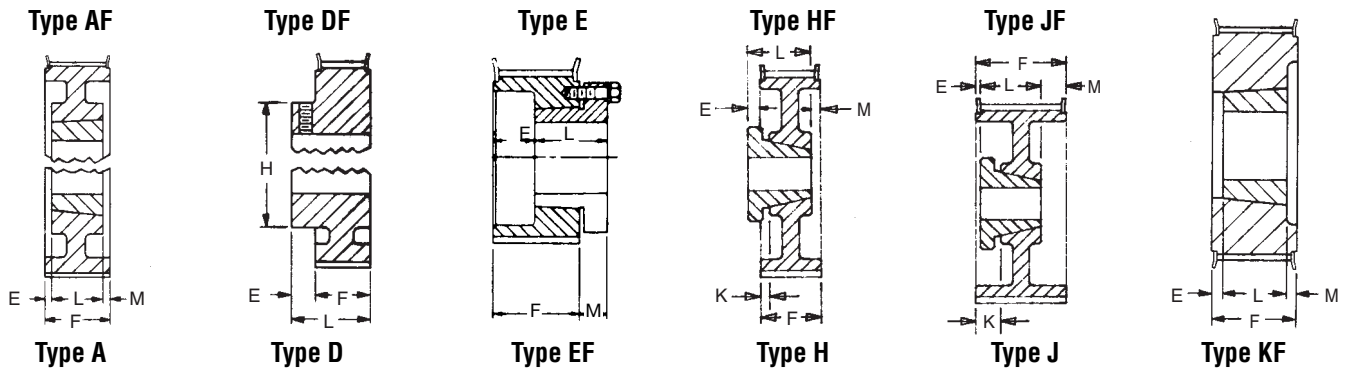
H150 For Belts 1 1/2" Wide (1/2" Pitch) Taper Bushed Type

F = 1 13/16

No. Teeth	Part Number	Pitch Diam.	Max FL O.D.	Type	Bush	Bore Range	Dimensions					Wt. Less Bush.
							E	H	K	L	M	
14	TB14H150	2.228	2 ³ / ₆₄	KF-1	1008	1/2 - 1	1 ¹⁵ / ₃₂	—	—	7/8	1 ¹⁵ / ₃₂	1.0
16	TB16H150	2.546	2 ⁵ / ₆₄	KF-1	1008	1/2 - 1	1 ¹⁵ / ₃₂	—	—	7/8	1 ¹⁵ / ₃₂	1.5
18	TB18H150	2.865	3 ³ / ₆₄	KF-1	1215	1/2 - 1 1/4	5/16	—	—	1 1/2	—	1.6
20	TB20H150	3.183	3 ⁷ / ₆₄	KF-1	1215	1/2 - 1 1/4	5/16	—	—	1 1/2	—	2.2
22	TB22H150	3.501	3 3/4	KF-1	1615	1/2 - 1 5/8	5/16	—	—	1 1/2	—	2.5
24	TB24H150	3.820	4 1/16	KF-1	2012	1/2 - 2	9/16	—	—	1 1/4	—	2.7
26	TB26H150	4.138	4 ²⁹ / ₃₂	KF-1	2012	1/2 - 2	9/16	—	—	1 1/4	—	3.2
28	TB28H150	4.456	4 ⁴⁹ / ₆₄	KF-1	2012	1/2 - 2	9/16	—	—	1 1/4	—	4.1
30	TB30H150	4.775	5 ⁵ / ₆₄	KF-1	2012	1/2 - 2	9/16	—	—	1 1/4	—	5.1
32	TB32H150	5.093	5 ⁷ / ₆₄	KF-1	2517	1/2 - 2 1/2	1/16	—	—	1 1/4	—	5.6
40	TB40H150	6.366	6 ³ / ₆₄	KF-1	2517	1/2 - 2 1/2	1/16	—	—	1 1/4	—	8.6
48	TB48H150	7.639	8 ⁵ / ₆₄	AF-1	2517	1/2 - 2 1/2	—	—	1/16	1 1/4	1/16	13.6
60	TB60H150	9.549	—	C-2	3020	7/8 - 3	3/32	6 1/4	—	2	5/32	12.3

Dimensions in inches. Weight in pounds

Pulley O.D. = P.D. - .054"



Dash 1 = Solid Style Dash 2 = Web Style Dash 3 = Arm/Spoke Style

“F” in type description indicates flanged.

H200 For Belts 2" Wide (1/2" Pitch) Minimum Plain Bore

$F = 2\frac{1}{32}$

No. Teeth	Part Number	Pitch Diam.	Max FL O.D.	Type	Bore		Dimensions			Wt.
					Stk.	Max.	E	H	L	
14	14H200	2.228	2 ⁵ / ₈	DF-1	3/4	1	5/8	1 1/2	2 ³ / ₃₂	2.2
16	16H200	2.546	2 ⁵ / ₁₆	DF-1	3/4	1 1/4	3/4	2	3 ³ / ₃₂	3.1
18	18H200	2.865	3 ³ / ₁₆	DF-1	3/4	1 1/2	3/4	2	3 ³ / ₃₂	3.7
19	19H200	3.024	3 ¹ / ₄	DF-1	3/4	1 1/8	7/8	2 1/4	3 ³ / ₃₂	3.9
20	20H200	3.183	3 ⁷ / ₁₆	DF-1	3/4	1 5/8	7/8	2 1/2	3 ³ / ₃₂	4.9
22	22H200	3.501	3 ³ / ₄	DF-1	1	1 7/8	1	2 5/8	3 ¹ / ₃₂	6.3
24	24H200	3.820	4 ¹ / ₁₆	DF-1	1	2 1/8	1	3 3/8	3 ¹ / ₃₂	7.5
26	26H200	4.138	4 ²⁹ / ₃₂	DF-1	1	2 1/2	1 1/8	3 1/2	3 ¹ / ₃₂	9.5

Dimensions in inches. Weight in pounds
Pulley O.D. = P.D. - .054"

H 1/2" Pitch

Stock Timing Pulleys

H200 For Belts 2" Wide (1/2" Pitch) QD Type

$$F = 2\frac{1}{32}$$

No. Teeth	Part Number	Pitch Diam.	Max. FL. O.D.	Type	Bush	Bore Range	Dimensions				Wt. Less Bush.
							E	K	L	M	
16	16H200JA	2.546	2 ⁵¹ / ₆₄	EF-1*	JA	1/2 - 1 1/4	1 ²⁹ / ₃₂	—	1 ¹ / ₁₆	1/2	2.6
18	18H200SH	2.865	3 ⁷ / ₆₄	EF-1*	SH	1/2 - 1 11/16	1 ¹⁷ / ₃₂	—	1 ⁵ / ₁₆	9/16	1.6
20	20H200SH	3.183	3 ³ / ₁₆	EF-1*	SH	1/2 - 1 11/16	1 ¹⁷ / ₃₂	—	1 ⁵ / ₁₆	9/16	2.2
22	22H200SD	3.501	3 ³ / ₄	EF-1*	SD	1/2 - 2	1 ³ / ₃₂	—	1 ³ / ₁₆	5/8	2.5
24	24H200SD	3.820	4 ¹ / ₁₆	EF-1*	SD	1/2 - 2	1 ³ / ₃₂	—	1 ³ / ₁₆	5/8	3.0
26	26H200SD	4.138	4 ²⁵ / ₃₂	HF-1	SD	1/2 - 2	5/64	35/64	1 ¹³ / ₁₆	35/64	3.9
28	28H200SD	4.456	4 ⁴⁵ / ₆₄	HF-1	SD	1/2 - 2	5/64	35/64	1 ¹³ / ₁₆	35/64	4.7
30	30H200SD	4.775	5 ¹ / ₆₄	HF-1	SD	1/2 - 2	5/64	35/64	1 ¹³ / ₁₆	35/64	5.7
32	32H200SK	5.093	5 ²¹ / ₆₄	HF-1	SK	1/2 - 2 5/8	5/64	35/64	1 ¹⁵ / ₁₆	35/64	6.7
36	36H200SK	5.730	5 ⁵¹ / ₆₄	HF-1	SK	1/2 - 2 5/8	5/64	35/64	1 ¹⁵ / ₁₆	35/64	8.0
40	40H200SK	6.366	6 ³⁷ / ₆₄	HF-1	SK	1/2 - 2 5/8	5/64	35/64	1 ¹⁵ / ₁₆	35/64	10.2
44	44H200SK	7.003	7 ¹ / ₄	HF-1	SK	1/2 - 2 5/8	5/64	35/64	1 ¹⁵ / ₁₆	35/64	12.5
48	48H200SF	7.639	8 ¹ / ₆₄	HF-2	SF	1/2 - 2 15/16	5/64	35/64	2 ¹ / ₁₆	35/64	14.1
60	60H200SF	9.549	—	H-2	SF	1/2 - 2 15/16	5/64	35/64	2 ¹ / ₁₆	35/64	14.6
72	72H200SF	11.459	—	H-3	SF	1/2 - 2 15/16	5/64	35/64	2 ¹ / ₁₆	35/64	21.0
84	84H200SF	13.369	—	H-3	SF	1/2 - 2 15/16	5/64	35/64	2 ⁵ / ₁₆	35/64	23.0
96	96H200E	15.279	—	H-3	E	7/8 - 3 1/2	33/64	23/64	2 ³ / ₈	23/64	34.0
120	120H200E	19.099	—	H-3	E	7/8 - 3 1/2	33/64	23/64	2 ⁵ / ₈	23/64	42.0

Dimensions in inches. Weight in pounds

Pulley O.D. = P.D. - .054"

*Reverse mount only

H200 For Belts 2" Wide (1/2" Pitch) Taper Bushed Type

$$F = 2\frac{1}{32}$$

No. Teeth	Part Number	Pitch Diam.	Max. FL. O.D.	Type	Bush	Bore Range	Dimensions			Wt. Less Bush.
							E	L	M	
16	TB16H200	2.546	2 ⁵¹ / ₆₄	KF-1	1008	1/2 - 1	3/4	7/8	2 ³ / ₃₂	1.9
18	TB18H200	2.865	3 ⁷ / ₆₄	KF-1	1215	1/2 - 1 1/4	7/16	1 1/2	1 ¹³ / ₃₂	1.8
20	TB20H200	3.183	3 ³ / ₁₆	KF-1	1215	1/2 - 1 1/4	2 ¹ / ₆₄	1 1/2	2 ¹ / ₆₄	2.6
22	TB22H200	3.501	3 ³ / ₄	KF-1	1615	1/2 - 1 5/8	2 ¹ / ₆₄	1 1/2	2 ¹ / ₆₄	2.8
24	TB24H200	3.820	4 ¹ / ₁₆	KF-1	2012	1/2 - 2	35/64	1 1/4	35/64	2.8
26	TB26H200	4.138	4 ²⁵ / ₃₂	KF-1	2012	1/2 - 2	35/64	1 1/4	35/64	3.6
28	TB28H200	4.456	4 ⁴⁵ / ₆₄	KF-1	2012	1/2 - 2	35/64	1 1/4	35/64	5.1
30	TB30H200	4.775	5 ¹ / ₆₄	KF-1	2012	1/2 - 2	1 ¹ / ₃₂	1 1/4	—	7.0
32	TB32H200	5.093	5 ²¹ / ₆₄	KF-1	2517	1/2 - 2 1/2	1 ⁹ / ₃₂	1 3/4	—	8.5
40	TB40H200	6.366	6 ³⁷ / ₆₄	KF-1	2517	1/2 - 2 1/2	1 ⁹ / ₃₂	1 3/4	—	9.9
48	TB48H200	7.639	8 ¹ / ₆₄	KF-1	3020	7/8 - 3	1 ¹ / ₃₂	2	—	14.3
60	TB60H200	9.549	—	A-2	3020	7/8 - 3	1 ¹ / ₆₄	2	1 ¹ / ₆₄	15.3

Dimensions in inches. Weight in pounds

Pulley O.D. = P.D. - .054"

PULLEYS



Stock Timing Pulleys

H 1/2" Pitch

H300 For Belts 3" Wide (1/2" Pitch) Minimum Plain Bore

F = 3 3/8

No. Teeth	Part Number	Pitch Diam.	Max. FL. O.D.	Type	Bore		Dimensions			Wt.
					Stk.	Max.	E	H	L	
16	16H300	2.546	2 5/64	DF-1	3/4	1 1/4	3/4	2	4 1/2	4.2

Dimensions in inches. Weight in pounds
Pulley O.D. = P.D. - .054"

H300 For Belts 3" Wide (1/2" Pitch) QD Type

F = 3 3/8

No. Teeth	Part Number	Pitch Diam.	Max. FL. O.D.	Type	Bush	Bore Range	Dimensions				Wt. Less Bush.
							E	K	L	M	
22	22H300SD	3.501	3 3/4	EF-1*	SD	1/2 - 2	2 1/8	—	1 1/16	5/8	4.1
24	24H300SD	3.820	4 1/16	EF-1*	SD	1/2 - 2	2 1/8	—	1 1/16	5/8	4.1
26	26H300SD	4.138	4 25/64	JF-1	SD	1/2 - 2	7/16	1 1/16	1 1/16	1 1/16	5.0
28	28H300SD	4.456	4 49/64	JF-1	SD	1/2 - 2	7/16	1 1/16	1 1/16	1 1/16	6.0
30	30H300SD	4.775	5 1/64	JF-1	SD	1/2 - 2	7/16	1 1/16	1 1/16	1 1/16	7.2
32	32H300SK	5.093	5 21/64	JF-1	SK	1/2 - 2 5/8	3/8	1 1/16	1 1/16	1 1/16	8.4
36	36H300SK	5.730	5 57/64	JF-1	SK	1/2 - 2 5/8	3/8	1 1/16	1 1/16	1 1/16	10.0
40	40H300SK	6.366	6 37/64	JF-1	SK	1/2 - 2 5/8	3/8	1 1/16	1 1/16	1 1/16	12.2
44	44H300SK	7.003	7 1/4	JF-1	SK	1/2 - 2 5/8	3/8	1 1/16	1 1/16	1 1/16	15.5
48	48H300SF	7.639	8 1/64	JF-2	SF	1/2 - 2 15/16	3/8	1 1/16	2 1/16	1 1/16	16.6
60	60H300SF	9.549	—	J-2	SF	1/2 - 2 15/16	3/8	1 1/16	2 1/16	1 1/16	17.9
72	72H300SF	11.459	—	J-3	SF	1/2 - 2 15/16	3/16	1 1/16	2 1/16	1 1/16	23.0
84	84H300SF	13.369	—	J-3	SF	1/2 - 2 15/16	3/16	1 1/16	2 1/16	1 1/16	30.0
96	96H300E	15.279	—	H-3	E	7/8 - 3 1/2	0	7/8	2 3/8	7/8	38.0
120	120H300E	19.099	—	H-3	E	7/8 - 3 1/2	0	7/8	2 3/8	7/8	51.0

Dimensions in inches. Weight in pounds
Pulley O.D. = P.D. - .054"
*Reverse mount only

H300 For Belts 3" Wide (1/2" Pitch) Taper Bushed Type

F = 3 3/8

No. Teeth	Part Number	Pitch Diam.	Max. FL. O.D.	Type	Bush	Bore Range	Dimensions			Wt. Less Bush.
							E	L	M	
18	TB18H300	2.865	3 3/64	KF-1	1215	1/2 - 1 1/4	1 5/16	1 1/2	1 9/16	2.6
20	TB20H300	3.183	3 7/16	KF-1	1215	1/2 - 1 1/4	1 5/16	1 1/2	1 9/16	3.9
22	TB22H300	3.501	3 3/4	KF-1	1615	1/2 - 1 1/2	1 5/16	1 1/2	1 9/16	4.0
24	TB24H300	3.820	4 1/16	KF-1	2012	1/2 - 2	1 1/16	1 1/4	1 1/16	4.3
26	TB26H300	4.138	4 25/64	KF-1	2012	1/2 - 2	1 1/16	1 1/4	1 1/16	5.4
28	TB28H300	4.456	4 49/64	KF-1	2012	1/2 - 2	1 1/16	1 1/4	1 1/16	6.8
30	TB30H300	4.775	5 1/64	KF-1	2012	1/2 - 2	1 1/16	1 1/4	1 1/16	7.5
32	TB32H300	5.093	5 21/64	KF-1	2517	1/2 - 2 1/2	1 3/16	1 3/4	1 9/16	7.4
40	TB40H300	6.366	6 37/64	KF-1	2517	1/2 - 2 1/2	1 3/16	1 3/4	1 9/16	12.1
48	TB48H300	7.639	8 1/64	KF-1	3020	7/8 - 3	1 1/16	2	1 11/16	16.3
60	TB60H300	9.549	—	A-2	3020	7/8 - 3	3/16	2	3/16	17.3

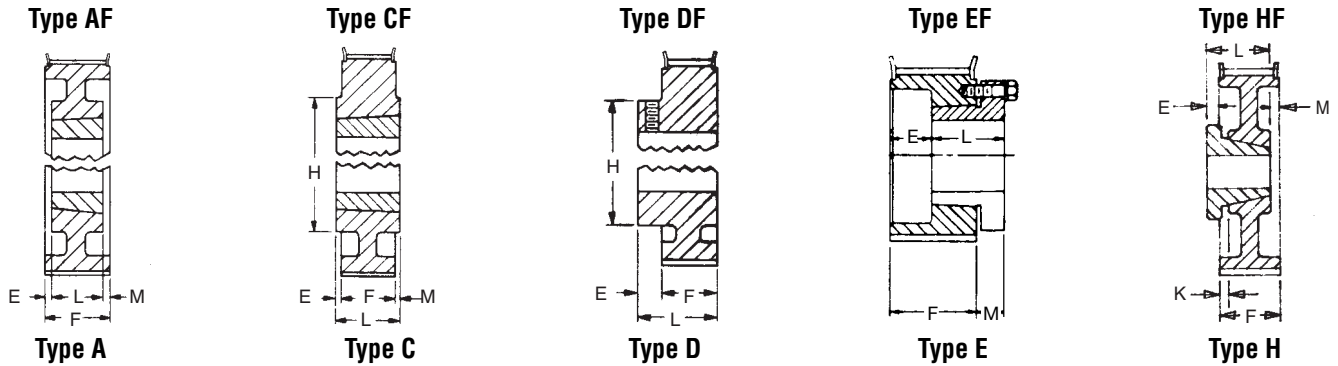
Dimensions in inches. Weight in pounds
Pulley O.D. = P.D. - .054"

PULLEYS

XH

7/8" Pitch

Stock Timing Pulleys

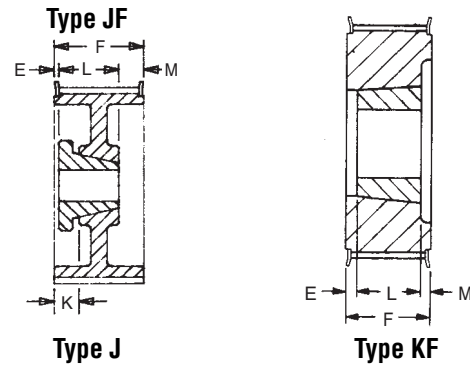


Dash 1 = Solid Style

Dash 2 = Web Style

Dash 3 = Arm/Spoke Style

"F" in type description indicates flanged.



XH — 7/8" Pitch

XH200 For Belts 2" Wide (7/8" Pitch)
Minimum Plain Bore

F = 2 9/16

No. Teeth	Part Number	Pitch Diam.	Max. FL O.D.	Type	Bore		Dimensions			Wt.
					Stk.	Max.	E	H	L	
18	18XH200	5.013	5 57/64	DF-1	1	2 9/16	7/8	3 1/16	3 3/16	12.0
20	20XH200	5.570	6 6/64	DF-1	1	3 1/4	1	4 1/8	3 3/16	16.0

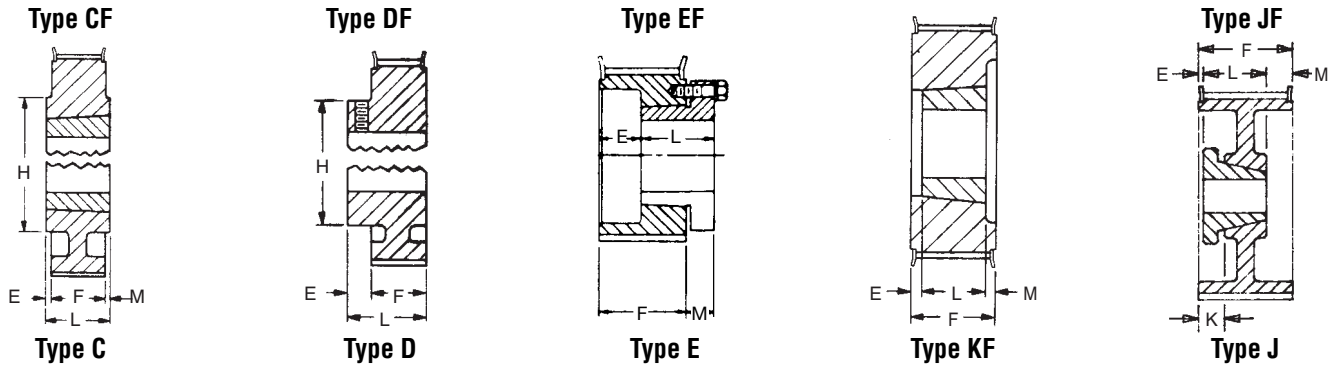
Dimensions in inches. Weight in pounds
Pulley O.D. = P.D. - .11"

XH200 For Belts 2" Wide (7/8" Pitch)
Taper Bushed Type

F = 2 9/16

No. Teeth	Part Number	Pitch Diam.	Max. FL O.D.	Type	Bush	Bore Range	Dimensions				Wt. Less Bush.
							E	H	L	M	
22	TB22XH200	6.127	6 19/32	KF-1	2517	1/2 - 2 1/2	1 1/16	—	1 3/4	—	10.6
24	TB24XH200	6.685	7 3/32	KF-1	3020	3/8 - 3	9/16	—	2	—	11.3
26	TB26XH200	7.241	7 29/32	KF-1	3020	7/8 - 3	9/16	—	2	—	13.3
28	TB28XH200	7.799	8 1/64	CF-1	3535	1 1/16 - 3 1/2	1 1/16	6 1/2	3 3/8	—	13.5
30	TB30XH200	8.356	9 3/32	CF-1	3535	1 1/16 - 3 1/2	1 1/16	6 1/2	3 3/8	—	18.5
32	TB32XH200	8.913	9 39/64	CF-1	3535	1 1/16 - 3 1/2	1 1/16	6 1/2	3 1/2	—	21.5
40	TB40XH200	11.141	11 51/64	CF-1	4040	1 1/16 - 4	1 1/16	8 1/2	4	—	37.5
48	TB48XH200	13.369	—	C-2	4040	1 1/16 - 4	1 1/32	8 1/2	4	23/32	44.5
60	TB60XH200	16.711	—	C-3	4040	1 1/16 - 4	23/32	8 1/2	4	23/32	47.0

Dimensions in inches. Weight in pounds
Pulley O.D. = P.D. - .11"



XH300 For Belts 3" Wide (7/8" Pitch) Minimum Plain Bore

F = 3 5/8

No. Teeth	Part Number	Pitch Diam.	Max. FL O.D.	Type	Bore		Dimensions				Wt.
					Stk.	Max.	E	H	L	M	
18	18XH300	5.013	5 3/64	DF-1	1	2 7/8	7/8	3 1/16	4 1/2	1*	15.0
20	20XH300	5.570	6 6/64	DF-1	1	3 1/4	1	4 7/8	4 7/8	3/4*	19.0

*Counterbore "M" depth on flush side.

XH300 For Belts 3" Wide (7/8" Pitch) Taper Bushed Type

F = 3 5/8

No. Teeth	Part Number	Pitch Diam.	Max. FL O.D.	Bore Type	Bush	Bore Range	Dimensions				Wt.
							E	H	L	M	
22	TB22XH300	6.127	6 1/32	KF-1	2517	1/2 - 2 1/2	1 9/16	—	1 3/4	1 5/16	13.6
24	TB24XH300	6.685	7 7/32	KF-1	3020	7/8 - 3	1 9/16	—	2	1 9/16	15.3
26	TB26XH300	7.241	7 29/32	KF-1	3020	7/8 - 3	1 9/16	—	2	1 9/16	17.3
28	TB28XH300	7.799	8 1/64	KF-1	3535	1 1/16 - 3 1/2	7/8	—	3 3/8	—	17.5
30	TB30XH300	8.356	9 1/32	KF-1	3535	1 1/16 - 3 1/2	7/8	—	3 3/8	—	22.5
32	TB32XH300	8.913	9 33/64	KF-1	3535	1 1/16 - 3 1/2	7/8	—	3 1/2	—	26.5
40	TB40XH300	11.141	11 9/64	CF-1	4040	1 1/16 - 4	7/8	7 3/4	4	—	43.5
48	TB48XH300	13.369	—	C-2	4040	1 1/16 - 4	3/16	8 1/2	4	3/16	51.5
60	TB60XH300	16.711	—	C-3	4040	1 1/16 - 4	3/16	8 1/2	4	3/16	55.5

XH400 For Belts 4" Wide (7/8" Pitch) QD Type

F = 4 1/16

No. Teeth	Part Number	Pitch Diam.	Max. FL O.D.	Type	Bush	Bore Range	Dimensions				Wt.
							E	K	L	M	
20	20XH400SK	5.570	6 3/32	JF-1	SK	1/2 - 2 1/2	1/2	1 3/16	1 1/16	2 1/4	12.4
22	22XH400SK	6.127	6 21/32	JF-1	SK	1/2 - 2 1/2	1/2	1 1/16	1 1/16	2 1/4	16.7
24	24XH400SF	6.685	7 7/32	JF-1	SF	1/2 - 2 1/2	1/2	1 1/16	2 1/16	2 3/16	19.2
26	26XH400SF	7.242	7 29/32	JF-1	SF	1/2 - 2 1/2	1/2	1 1/16	2 1/16	2 3/16	23.0
28	28XH400E	7.799	8 1/32	JF-1	E	7/8 - 3 1/2	2 1/32	1 17/32	2 5/8	1 13/32	24.0
30	30XH400E	8.356	8 39/64	JF-1	E	7/8 - 3 1/2	2 1/32	1 17/32	2 5/8	1 13/32	30.7
32	32XH400E	8.913	9 1/16	JF-1	E	7/8 - 3 1/2	2 1/32	1 17/32	2 5/8	1 13/32	34.0
40	40XH400F	11.141	11 11/16	HF-2	F	1 - 3 19/16	3/32	1 3/32	3 3/8	1 1/2	49.0
48	48XH400J	13.369	—	H-3	J	1 1/16 - 4 1/2	3/16	1	4 1/2	7/8	67.3
60	60XH400J	16.711	—	H-3	J	1 1/16 - 4 1/2	7/16	3/4	4 1/2	5/8	85.0
72	72XH400J	20.054	—	H-3	J	1 1/16 - 4 1/2	7/16	3/4	4 1/2	5/8	108.0
84	84XH400J	23.396	—	H-3	J	1 1/16 - 4 1/2	7/16	3/4	4 1/2	5/8	119.0
96	96XH400J	26.738	—	H-3	J	1 1/16 - 4 1/2	7/16	3/4	4 1/2	5/8	187.5
120	120XH400J	33.423	—	H-3	J	1 1/16 - 4 1/2	7/16	3/4	4 1/2	5/8	187.5

Dimensions in inches. Weight in pounds
Pulley O.D. = P.D. - .11"

Stock Drive Selection

STOCK DRIVE SELECTION

The following information is required:

1. HORSEPOWER AND TYPE OF DRIVER.
2. THE RPM OF THE DRIVER.
3. THE RPM OF THE DRIVEN MACHINE.
4. THE SHAFT DIAMETERS AND KEYSEAT DIMENSIONS.
5. THE EXACT OR APPROXIMATE CENTER DISTANCE REQUIRED.
6. OPERATING CONDITIONS OF DRIVE.

A typical example.

1. The driver is a 10hp squirrel cage, NEMA design “A” AC electrical motor.
2. The speed of the driver motor is 3600 rpm (3500 rpm full load speed.)
3. A centrifugal pump is to be driven at 2450 rpm.
4. Both the motor shaft and pump shaft are 1 $\frac{3}{8}$ ” with standard keyseats.
5. The drive will require a 25” to 27” center distance.
6. The drive is operated intermittently with the full 10 hp required.

SELECTION PROCEDURE

Step 1 – Determine the Design Horsepower

Refer to Table 1 for the CLASS driver and to Table 2 for the TYPE driven machine. The CLASS in the Service Factors (Table 2) will correspond to the CLASS determined in the Driver Classification (Table 1). Check for any additional service factor required for unusual conditions — such as continuous operation and/or use of an idler.

Example: Table 1 places the driver as class 2, and Table 2 shows a centrifugal pump in class 2 to have a service factor of 1.7. We deduct 0.2 for intermittent service. Thus, the service factor is 1.5.

The **design horsepower** is found by multiplying the full load horsepower by the service factor. This is the horsepower for which you are going to select the drive. Thus, design horsepower = 10 × 1.5 or 15 hp.

Step 2 – Choose the Belt Pitch

Locate the rpm of the **faster** shaft from Table 3. Follow this line to the point where the design hp selected in Step 1 intersects this speed. The point at which the lines intersect indicates the recommended belt pitch for your drive.

Example: The table indicates that a $\frac{1}{2}$ inch pitch (H) belt should be selected.

Step 3 – Select the Drive

NOTE: If the driver speed is other than those shown (870, 1160, 1750, or 3500 rpm) in the Driver Speeds column of the Stock Drive Selections or a Speed Up drive is required, step 3 will not be used. Instead turn to “Other Speeds or Speed Up Drive Selection.” This selection procedure is slightly different from step 3, but the Stock Drive Selection

Tables can still be used.

- A. Turn to the Stock Drive Selection Tables for the belt pitch selected in Step 2.

Example: Since Step 2 indicated a $\frac{1}{2}$ inch pitch belt, we refer to H $\frac{1}{2}$ ” pitch.

- B. Find the rpm of your driver. Speeds shown in the Drive Selection Tables are full load motor rating.

Example: Driver is listed under 3500 rpm.

- C. Read down the driven rpm column until you find a speed nearest the required driven speed. Under the same column heading, you will find the horsepower capacity per inch of belt length. Read across to the left for the required driver and driven pulleys.

Example: We find that we have a choice of two drives, a 28 groove DriveR with a 40 groove DriveN, or a 21 groove DriveR with a 30 groove DriveN. Since the Drive Selection Table indicates that the 21 groove pulley is below the recommended minimum, our choice is reduced to the 28 groove DriveR and a basic horsepower of 15.74.

- D. Read across to the right for shaft centers nearest to those you require. The belt size is shown at the top of the center distance column.

Example: We find a center distance of 26.49 which is within the desired distance. Reading up this column we find the belt designated as 700H.

- E. Multiply the horsepower capacity per inch of belt width by the teeth in mesh (TIM) factor (where applicable) — this is found in the table at the bottom of the selection tables. This will give you the corrected horsepower per inch of belt width.

Example: There is no TIM factor for this application. Since no correction is necessary, the basic horsepower capacity per inch of belt width will remain 15.74.

- F. Divide the design horsepower found in Step 1B by the corrected horsepower found in Step 3E — this will give you a NOMINAL BELT WIDTH.

IF YOUR ANSWER CONTAINS A FRACTION, USE THE NEXT LARGER SIZE.

Example: The design horsepower divided by the horsepower per inch of belt width would be:

$$\frac{15}{15.74} = .95 \text{ Nominal Width} = \text{Use } 1.00" \text{ Belt}$$

Order *Martin*

- (1) — 28H100SDS Pulley
- (1) — SDS × 1 $\frac{3}{8}$ ” QD Bushing
- (1) — 40H100SK Pulley
- (1) SK × 1 $\frac{3}{8}$ ” QD Bushing

NOTE: Decision to use QD Bushings was arbitrary.

(A re-check of bore limits, number of teeth, and width from the Stock Pulley Dimensions shows all material is stock.)

BASIC SERVICE FACTORS

To find a basic service factor: First, determine the class of the DriveR (prime mover) in Table 1. Then, determine the basic service factor for the application in Table 2, in the same class as driveR.

Table 1
Drive R (prime mover)

Class of DriveR	Class I	Class II	Class III
Momentary Peak Load % of Rated Load	149%	150 to 249%	250 to 400%
AC Electric Motors Single Phase			All
Squirrel Cage NEMA Design A	3450 rpm 1750 rpm 1160 rpm 870 rpm	40 hp up 100 hp up 15 hp up 5 hp up	1 1/2 thru 30 hp 5 thru 75 hp 3/4 thru 10 hp 1/2 thru 3 hp
NEMA Design B	3450 rpm 1750 rpm 1160 rpm 870 rpm		5 hp up 5 hp up 5 hp up 2 hp up
NEMA Design C	1750 rpm 1160 rpm 870 rpm	15 hp up 7 1/2 hp up All	1 1/2 thru 3 hp 1 thru 3 hp 3/4 thru 3 hp 1/2 thru 1 1/2 hp
NEMA Design D			All
NEMA Design F	All		
Wound Rotor			
	1750 rpm 1160 rpm 870 rpm	20 hp 15 hp 7 1/2 hp	2 to 15 hp 2 to 10 hp 1 to 5 hp
Synchronous		Normal Torque	High Torque
D.C. ELECTRIC MOTORS	Shunt	Compound	Series
ENGINES Internal combustion	8 Cyl. up	6 Cyl.	4 Cyl. or less
HYDRAULIC MOTORS, LINE SHAFTS			All

ADDITIONAL SERVICE FACTORS FOR SPEED-UP DRIVES

For speed-up drives, add to the basic service factor the additional factor given at right.

Speed-Up Ratio Range	Add'l Factor
1.00 to 1.24	None
1.25 to 1.74	.10
1.75 to 2.49	.20
2.50 to 3.49	.30
3.50 & Over	.40

FOR UNUSUAL CONDITIONS

For 24-hour continuous operation and/or use of an idler, add 0.2 to basic service factor. For intermittent or seasonal operation, deduct 0.2 from basic service factor.

Additional service factors are required for unusual conditions — such as load reversal, heavy stock, plugged motor stop, electric brake. These should be determined by a transmission specialist.

TABLE 2.

Basic Service Factors of
Driven Machines

	Class I	Class II	Class III
agitators, mixers			
liquid (paddle or propeller)	1.4	1.6	1.8
semiliquid	1.5	1.7	1.9
bakery machinery	1.4	1.6	1.8
dough mixers			
brick and clay machinery			
augers, mixers, granulators	1.5	1.7	1.9
pug mills	1.8	2.0	2.2
centrifuges	1.7	1.9	—
compressors			
reciprocating	2.0	2.2	2.4
centrifugal	1.6	1.7	1.8
conveyors			
belt, light package; oven belt; ore, coal, sand apron, bucket, elevator, pan flight, screw	1.3 1.6 1.7 1.7	1.5 1.7 1.8 1.9	1.7 1.8 1.9 2.0
fans, blowers			
centrifugal, induced draft exhausters	1.6	1.8	2.0
propeller, mine fans, positive blowers	1.8	2.0	2.2
generators and exciters	1.6	1.8	2.0
hammer mills	1.7	1.9	2.1
hoists, elevators	1.6	1.8	2.0
laundry machinery			
general extractors, washers	1.5 1.6	1.6 1.8	1.7 2.0
line shafts	1.5	1.7	1.9
machine tools			
drill presses, lathes, screw machines	1.4	1.6	1.8
boring mills, grinders	1.5	1.7	1.9
milling machines, shapers	1.5	1.7	1.9
mills			
ball, rod, pebble, etc.	—	2.2	2.5
paper machinery			
agitators, calenders, dryers	1.4	1.6	1.8
beaters, jordans, Nash pumps, pulpers	1.7	1.9	2.1
printing machinery			
presses; newspaper, rotary embossing, flat bed, magazine; linotype machines, cutters, folders	1.4	1.6	1.8
pumps			
centrifugal, gear, rotary, pipeline	1.5	1.7	1.9
reciprocating	2.0	2.2	2.4
rubber plant machinery	1.6	1.8	2.0
saw mill machinery	1.6	1.8	2.0
screens			
vibrating (shakers), drum, conical	1.5 1.4	1.7 1.5	— —
textile machinery			
looms, spinning frames, twisters	1.6	1.8	2.0
warpers, reels	1.5	1.7	—
woodworking machinery			
lathes, band saws	1.3	1.4	—
jointers, circular saws, planers	1.4	1.6	—

XL 1/5" Pitch

Stock Drive Selection

Martin

speed ratio □	pulley combination				driveN speed and hp capacity						center distance, inches†				
	driveR		driveN		3500 rpm driveR speed		1750 rpm driveR speed		1160 rpm driveR speed		according to belt pitch length (PL), inches and corresponding code number (bold type)				
	code: no. of grooves	pitch diameter in.	code: no. of grooves	pitch diameter in.	driveN speed rpm	hp for 1 inch belt	driveN speed rpm	hp for 1 inch belt	driveN speed rpm	hp for 1 inch belt	PL: 6.00 30 teeth 60 XL	PL: 7.00 35 teeth 70 XL	PL: 8.00 40 teeth 80 XL	PL: 9.00 45 teeth 90 XL	PL: 10.00 50 teeth 100 XL
1.00	30 XL	1.910	30 XL	1.910	3500	2.11	1750	1.07	1160	.71	—	—	—	—	—
	28 XL	1.783	28 XL	1.783	3500	1.98	1750	1.00	1160	.66	—	—	—	—	2.20
	24 XL	1.528	24 XL	1.528	3500	1.71	1750	.86	1160	.56	—	—	—	2.10	2.60
	22 XL	1.401	22 XL	1.401	3500	1.57	1750	.79	1160	.52	—	—	1.80	2.30	2.80
	21 XL	1.337	21 XL	1.337	3500	1.49	1750	.75	1160	.50	—	—	1.90	2.40	2.90
	20 XL	1.273	20 XL	1.273	3500	1.42	1750	.72	1160	.46	—	—	2.00	2.50	3.00
	18 XL	1.146	18 XL	1.146	3500	1.28	1750	.64	1160	.42	—	1.70	2.20	2.70	3.20
	16 XL	1.019	16 XL	1.019	3500	1.15	1750	.58	1160	.38	1.40	1.90	2.40	2.90	3.40
	15 XL	.955	15 XL	.955	3500	1.07	1750	.53	1160	.36	1.50	2.00	2.50	3.00	3.50
	14 XL	.891	14 XL	.891	3500	1.00	1750	.50	1160	.33	1.60	2.10	2.60	3.10	3.60
	12 XL	.764	12 XL	.764	3500	.86	1750	.43	1160	.28	1.80	2.30	2.80	3.30	3.80
	11 XL	.700	11 XL	.700	3500	—	1750	.39	1160	.26	1.90 ^⑤	2.40 ^⑤	2.90 ^⑤	3.40 ^⑤	3.90 ^⑤
10 XL	.637	10 XL	.637	3500	—	1750	.36■	1160	.23	2.00 ^⑤	2.50 ^⑤	3.00 ^⑤	3.50 ^⑤	4.00 ^⑤	
1.05	21 XL	1.337	22 XL	1.401	3341	1.49	1675	.75	1107	.50	—	—	1.85	2.35	2.85
	20 XL	1.273	21 XL	1.337	3333	1.42	1667	.72	1105	.46	—	—	1.95	2.45	2.95
1.07	30 XL	1.910	32 XL	2.037	3281	2.11	1641	1.07	1088	.71	—	—	—	—	—
	28 XL	1.783	30 XL	1.910	3267	1.98	1634	1.00	1083	.66	—	—	—	—	2.09
	15 XL	.955	16 XL	1.019	3281	1.07	1641	.53	1088	.36	1.45	1.95	2.45	2.95	3.45
	14 XL	.891	15 XL	.955	3267	1.00	1634	.50	1083	.33	1.55	2.05	2.55	3.05	3.55
1.09	22 XL	1.401	24 XL	1.528	3208	1.57	1604	.79	1063	.52	—	—	—	2.19	2.69
	11 XL	.700	12 XL	.764	3208	—	1604	.39	1063	.26	1.85 ^⑤	2.35 ^⑤	2.85 ^⑤	3.35 ^⑤	3.85 ^⑤
1.10	20 XL	1.273	22 XL	1.401	3182	1.42	1591	.72	1055	.46	—	—	1.89	2.39	2.89
	10 XL	.637	11 XL	.700	3182	—	1591	.36■	1055	.23	1.95 ^④	2.45 ^④	2.95 ^④	3.45 ^④	3.95 ^④
1.11	18 XL	1.146	20 XL	1.273	3150	1.28	1575	.64	1044	.42	—	1.59	2.09	2.59	3.09
1.13	16 XL	1.019	18 XL	1.146	3111	1.15	1556	.58	1031	.38	—	1.79	2.29	2.79	3.29
1.14	28 XL	1.783	32 XL	2.037	3063	1.98	1532	1.00	1015	.66	—	—	—	—	—
	21 XL	1.337	24 XL	1.528	3063	1.49	1532	.75	1015	.50	—	—	1.74	2.24	2.74
	14 XL	.891	16 XL	1.019	3063	1.00	1532	.50	1015	.33	1.49	1.99	2.49	2.99	3.49
1.17	24 XL	1.528	28 XL	1.783	3000	1.71	1500	.86	994	.56	—	—	—	—	2.39
	18 XL	1.146	21 XL	1.337	3000	1.28	1500	.64	994	.42	—	1.54	2.04	2.54	3.04
	12 XL	.764	14 XL	.891	3000	.86	1500	.43	994	.28	1.69 ^⑤	2.19 ^⑤	2.69 ^⑤	3.19 ^⑤	3.69 ^⑤
1.20	30 XL	1.910	36 XL	2.292	2917	2.11	1458	1.07	967	.71	—	—	—	—	—
	20 XL	1.273	24 XL	1.528	2917	1.42	1458	.72	967	.46	—	—	1.79	2.29	2.79
	15 XL	.955	18 XL	1.146	2917	1.07	1458	.53	967	.36	1.34	1.84	2.34	2.84	3.34
	10 XL	.637	12 XL	.764	2917	—	1458	.36■	967	.23	1.89 ^④	2.39 ^④	2.89 ^④	3.39 ^④	3.89 ^④
1.22	18 XL	1.146	22 XL	1.401	2864	1.28	1432	.64	949	.42	—	—	1.99	2.49	2.99
1.25	24 XL	1.528	30 XL	1.910	2800	1.71	1400	.86	928	.56	—	—	—	—	2.29
	16 XL	1.019	20 XL	1.273	2800	1.15	1400	.58	928	.38	—	1.69	2.19	2.69	3.19
	12 XL	.764	15 XL	.955	2800	.86	1400	.43	928	.28	1.64 ^⑤	2.14 ^⑤	2.64 ^⑤	3.14 ^⑤	3.64 ^⑤

□ Pulley combinations shown are for conventional speed-reduction ratios; same table can be used for speed step-up ratios by making proper correction of driveN speed and belt hp capacity per inch width.

■ Pulley diameter is below recommended minimum; if used reduced belt life must be expected.

† Center distances shown are **theoretical**; manufacturing tolerances of belt length and pulley diameters can affect actual operating drive center distances.



Stock Drive Selection

XL 1/5" Pitch

center distance, inches†																speed ratio <input type="checkbox"/>
according to belt pitch length (PL), inches and corresponding code number (bold type)																
PL: 11.00 55 teeth 110 XL	PL: 12.00 60 teeth 120 XL	PL: 13.00 65 teeth 130 XL	PL: 14.00 70 teeth 140 XL	PL: 15.00 75 teeth 150 XL	PL: 16.00 80 teeth 160 XL	PL: 17.00 85 teeth 170 XL	PL: 18.00 90 teeth 180 XL	PL: 19.00 95 teeth 190 XL	PL: 20.00 100 teeth 200 XL	PL: 21.00 105 teeth 210 XL	PL: 22.00 110 teeth 220 XL	PL: 23.00 115 teeth 230 XL	PL: 24.00 120 teeth 240 XL	PL: 25.00 125 teeth 250 XL	PL: 26.00 130 teeth 260 XL	
2.50	3.00	3.50	4.00	4.50	5.00	5.50	6.00	6.50	7.00	7.50	8.00	8.50	9.00	9.50	10.00	
2.70	3.20	3.70	4.20	4.70	5.20	5.70	6.20	6.70	7.20	7.70	8.20	8.70	9.20	9.70	10.20	
3.10	3.60	4.10	4.60	5.10	5.60	6.10	6.60	7.10	7.60	8.10	8.60	9.10	9.60	10.10	10.60	
3.30	3.80	4.30	4.80	5.30	5.80	6.30	6.80	7.30	7.80	8.30	8.80	9.30	9.80	10.30	10.80	
3.40	3.90	4.40	4.90	5.40	5.90	6.40	6.90	7.40	7.90	8.40	8.90	9.40	9.90	10.40	10.90	
3.50	4.00	4.50	5.00	5.50	6.00	6.50	7.00	7.50	8.00	8.50	9.00	9.50	10.00	10.50	11.00	
3.70	4.20	4.70	5.20	5.70	6.20	6.70	7.20	7.70	8.20	8.70	9.20	9.70	10.20	10.70	11.20	
3.90	4.40	4.90	5.40	5.90	6.40	6.90	7.40	7.90	8.40	8.90	9.40	9.90	10.40	10.90	11.40	
4.00	4.50	5.00	5.50	6.00	6.50	7.00	7.50	8.00	8.50	9.00	9.50	10.00	10.50	11.00	11.50	
4.10	4.60	5.10	5.60	6.10	6.60	7.10	7.60	8.10	8.60	9.10	9.60	10.10	10.60	11.10	11.60	
4.30	4.80	5.30	5.80	6.30	6.80	7.30	7.80	8.30	8.80	9.30	9.80	10.30	10.80	11.30	11.80	
4.40 ^⑤	4.90 ^⑤	5.40 ^⑤	5.90 ^⑤	6.40 ^⑤	6.90 ^⑤	7.40 ^⑤	7.90 ^⑤	8.40 ^⑤	8.90 ^⑤	9.40 ^⑤	9.90 ^⑤	10.40 ^⑤	10.90 ^⑤	11.40 ^⑤	11.90 ^⑤	
4.50 ^⑤	5.00 ^⑤	5.50 ^⑤	6.00 ^⑤	6.50 ^⑤	7.00 ^⑤	7.50 ^⑤	8.00 ^⑤	8.50 ^⑤	9.00 ^⑤	9.50 ^⑤	10.00 ^⑤	10.50 ^⑤	11.00 ^⑤	11.50 ^⑤	12.00 ^⑤	1.05
3.35	3.85	4.35	4.85	5.35	5.85	6.35	6.85	7.35	7.85	8.35	8.85	9.35	9.85	10.35	10.85	
3.45	3.95	4.45	4.95	5.45	5.95	6.45	6.95	7.45	7.95	8.45	8.95	9.45	9.95	10.45	10.95	
2.39	2.89	3.39	3.89	4.40	4.90	5.40	5.90	6.40	6.90	7.40	7.90	8.40	8.90	9.40	9.90	1.07
2.59	3.09	3.59	4.10	4.60	5.10	5.60	6.10	6.60	7.10	7.60	8.10	8.60	9.10	9.60	10.10	
3.95	4.45	4.95	5.45	5.95	6.45	6.95	7.45	7.95	8.45	8.95	9.45	9.95	10.45	10.95	11.45	
4.05	4.55	5.05	5.55	6.05	6.55	7.05	7.55	8.05	8.55	9.05	9.55	10.05	10.55	11.05	11.55	1.09
3.19	3.69	4.20	4.70	5.20	5.70	6.20	6.70	7.20	7.70	8.20	8.70	9.20	9.70	10.20	10.70	
4.35 ^⑤	4.85 ^⑤	5.35 ^⑤	5.85 ^⑤	6.35 ^⑤	6.85 ^⑤	7.35 ^⑤	7.85 ^⑤	8.35 ^⑤	8.85 ^⑤	9.35 ^⑤	9.85 ^⑤	10.35 ^⑤	10.85 ^⑤	11.35 ^⑤	11.85 ^⑤	
3.39	3.89	4.40	4.90	5.40	5.90	6.40	6.90	7.40	7.90	8.40	8.90	9.40	9.90	10.40	10.90	1.10
4.45 ^④	4.95 ^④	5.45 ^④	5.95 ^④	6.45 ^④	6.95 ^④	7.45 ^④	7.95 ^④	8.45 ^④	8.95 ^④	9.45 ^④	9.95 ^④	10.45 ^④	10.95 ^④	11.45 ^④	11.95 ^④	
3.59	4.10	4.60	5.10	5.60	6.10	6.60	7.10	7.60	8.10	8.60	9.10	9.60	10.10	10.60	11.10	
3.79	4.30	4.80	5.30	5.80	6.30	6.80	7.30	7.80	8.30	8.80	9.30	9.80	10.30	10.80	11.30	1.11
2.49	2.99	3.49	3.99	4.49	4.99	5.49	5.99	6.49	6.99	7.49	7.99	8.49	8.99	9.49	9.99	
3.24	3.74	4.24	4.74	5.24	5.74	6.24	6.74	7.24	7.74	8.24	8.74	9.24	9.74	10.24	10.74	
4.00	4.50	5.00	5.50	6.00	6.50	7.00	7.50	8.00	8.50	9.00	9.50	10.00	10.50	11.00	11.50	1.14
2.89	3.39	3.89	4.39	4.89	5.39	5.89	6.39	6.89	7.39	7.89	8.39	8.89	9.39	9.89	10.39	
3.54	4.04	4.54	5.04	5.54	6.04	6.54	7.04	7.54	8.04	8.54	9.04	9.54	10.04	10.54	11.04	
4.20 ^⑤	4.70 ^⑤	5.20 ^⑤	5.70 ^⑤	6.20 ^⑤	6.70 ^⑤	7.20 ^⑤	7.70 ^⑤	8.20 ^⑤	8.70 ^⑤	9.20 ^⑤	9.70 ^⑤	10.20 ^⑤	10.70 ^⑤	11.20 ^⑤	11.70 ^⑤	1.17
—	2.69	3.19	3.69	4.19	4.69	5.19	5.69	6.19	6.69	7.19	7.69	8.19	8.69	9.19	9.69	
3.29	3.79	4.29	4.79	5.29	5.79	6.29	6.79	7.29	7.79	8.29	8.79	9.29	9.79	10.29	10.79	
3.84	4.34	4.84	5.34	5.84	6.34	6.84	7.34	7.84	8.34	8.84	9.34	9.84	10.34	10.84	11.34	1.20
4.40 ^④	4.90 ^④	5.40 ^④	5.90 ^④	6.40 ^④	6.90 ^④	7.40 ^④	7.90 ^④	8.40 ^④	8.90 ^④	9.40 ^④	9.90 ^④	10.40 ^④	10.90 ^④	11.40 ^④	11.90 ^④	
3.49	3.99	4.49	4.99	5.49	5.99	6.49	6.99	7.49	7.99	8.49	8.99	9.49	9.99	10.49	10.99	
2.79	3.29	3.79	4.29	4.79	5.29	5.79	6.29	6.79	7.29	7.79	8.29	8.79	9.29	9.79	10.29	1.25
3.69	4.19	4.69	5.19	5.69	6.19	6.69	7.19	7.69	8.19	8.69	9.19	9.69	10.19	10.69	11.19	
4.14 ^⑤	4.64 ^⑤	5.14 ^⑤	5.64 ^⑤	6.14 ^⑤	6.64 ^⑤	7.14 ^⑤	7.64 ^⑤	8.14 ^⑤	8.64 ^⑤	9.15 ^⑤	9.65 ^⑤	10.15 ^⑤	10.65 ^⑤	11.15 ^⑤	11.65 ^⑤	

Teeth in Mesh	F factor
6 or more	1.00
5	.80
4	.60
3	.40
2	.20

NOTE: Multiply the H.P. ratings shown in the Drive Section Tables by Factor "F" and the width correction factors shown below:

belt width	1/4	3/16	1/8	3/16	1/2	3/8	3/4	1	1 1/4	1 1/2	
width factor	.15	.21	.28	.35	.42	.57	.71	.86	1.0	1.29	1.56

If the number of teeth in mesh (TIM) is 5 or less, the exact TIM is indicated by the number in a circle following the center distance.

XL

1/5" Pitch

Stock Drive Selection

Martin

speed ratio □	pulley combination				driveN speed and hp capacity						center distance, inches†				
	driveR		driveN		3500 rpm driveR speed		1750 rpm driveR speed		1160 rpm driveR speed		according to belt pitch length (PL), inches and corresponding code number (bold type)				
	code: no. of grooves	pitch diameter in.	code: no. of grooves	pitch diameter in.	driveN speed rpm	hp for 1 inch belt	driveN speed rpm	hp for 1 inch belt	driveN speed rpm	hp for 1 inch belt	PL: 6.00 30 teeth 60 XL	PL: 7.00 35 teeth 70 XL	PL: 8.00 40 teeth 80 XL	PL: 9.00 45 teeth 90 XL	PL: 10.00 50 teeth 100 XL
1.27	22 XL	1.401	28 XL	1.783	2750	1.57	1375	.79	911	.52	—	—	—	1.99	2.49
	11 XL	.700	14 XL	.891	2750	—	1375	.39	911	.26	1.74 ^⑤	2.24 ^⑤	2.74 ^⑤	3.24 ^⑤	3.74 ^⑤
1.29	28 XL	1.783	36 XL	2.292	2722	1.98	1361	1.00	902	.66	—	—	—	—	—
	14 XL	.891	18 XL	1.146	2722	1.00	1361	.50	902	.33	1.39	1.89	2.39	2.89	3.39
1.31	16 XL	1.019	21 XL	1.337	2667	1.15	1333	.58	884	.38	—	1.64	2.14	2.64	3.14
1.33	30 XL	1.910	40 XL	2.546	2625	2.11	1313	1.07	870	.71	—	—	—	—	—
	24 XL	1.528	32 XL	2.037	2625	1.71	1313	.86	870	.56	—	—	—	—	2.18
	21 XL	1.337	28 XL	1.783	2625	1.49	1313	.75	870	.50	—	—	—	2.03	2.54
	18 XL	1.146	24 XL	1.528	2625	1.28	1313	.64	870	.42	—	—	1.89	2.39	2.89
	15 XL	.955	20 XL	1.273	2625	1.07	1313	.53	870	.36	—	1.74	2.24	2.74	3.24
12 XL	.764	16 XL	1.019	2625	.86	1313	.43	870	.28	1.59 ^⑤	2.09 ^⑤	2.59 ^⑤	3.09 ^⑤	3.59 ^⑤	
1.36	22 XL	1.401	30 XL	1.910	2567	1.57	1283	.79	851	.52	—	—	—	—	2.38
	11 XL	.700	15 XL	.955	2567	—	1283	.38	851	.26	1.69 ^⑤	2.19 ^⑤	2.69 ^⑤	3.19 ^⑤	3.69 ^⑤
1.38	16 XL	1.019	22 XL	1.401	2545	1.15	1273	.58	844	.38	—	1.58	2.09	2.59	3.09
1.40	30 XL	1.910	42 XL	2.674	2500	2.11	1250	1.07	829	.71	—	—	—	—	—
	20 XL	1.273	28 XL	1.783	2500	1.42	1250	.72	829	.46	—	—	—	2.08	2.58
	15 XL	.955	21 XL	1.337	2500	1.07	1250	.53	829	.36	—	1.68	2.19	2.69	3.19
	10 XL	.637	14 XL	.891	2500	—	1250	.36■	829	.23	1.79 ^④	2.29 ^④	2.79 ^④	3.29 ^④	3.79 ^④
1.43	28 XL	1.783	40 XL	2.546	2450	1.98	1225	1.00	812	.66	—	—	—	—	—
	21 XL	1.337	30 XL	1.910	2450	1.49	1225	.75	812	.50	—	—	—	1.92	2.43
	14 XL	.891	20 XL	1.273	2450	1.00	1225	.50	812	.33	—	1.79	2.29	2.79	3.29
1.45	22 XL	1.401	32 XL	2.037	2406	1.57	1203	.79	798	.52	—	—	—	—	2.27
	11 XL	.700	16 XL	1.019	2406	—	1203	.39	798	.26	1.64 ^⑤	2.14 ^⑤	2.64 ^⑤	3.14 ^⑤	3.64 ^⑤
1.47	30 XL	1.910	44 XL	2.801	2386	2.11	1193	1.07	791	.71	—	—	—	—	—
	15 XL	.955	22 XL	1.401	2386	1.07	1193	.53	791	.36	—	1.63	2.13	2.64	3.14
1.50	28 XL	1.783	42 XL	2.674	2334	1.98	1167	1.00	773	.66	—	—	—	—	—
	24 XL	1.528	36 XL	2.292	2334	1.71	1167	.86	773	.56	—	—	—	—	—
	20 XL	1.273	30 XL	1.910	2334	1.42	1167	.72	773	.46	—	—	—	1.97	2.48
	16 XL	1.019	24 XL	1.528	2334	1.15	1167	.58	773	.38	—	—	1.98	2.48	2.98
	14 XL	.891	21 XL	1.337	2334	1.00	1167	.50	773	.33	—	1.73	2.23	2.74	3.24
12 XL	.764	18 XL	1.146	2334	.86	1167	.43	773	.28	1.48 ^⑤	1.99 ^⑤	2.49 ^⑤	2.99 ^⑤	3.49 ^⑤	
10 XL	.637	15 XL	.955	2334	—	1167	.36■	773	.23	1.74 ^④	2.24 ^④	2.74 ^④	3.24 ^④	3.74 ^④	
1.52	21 XL	1.337	32 XL	2.037	2297	1.49	1148	.75	761	.50	—	—	—	—	2.32
1.56	18 XL	1.146	28 XL	1.783	2250	1.28	1125	.64	746	.42	—	—	—	2.17	2.68
1.57	28 XL	1.783	44 XL	2.801	2227	1.98	1114	1.00	738	.66	—	—	—	—	—
	14 XL	.891	22 XL	1.401	2227	1.00	1114	.50	738	.33	—	1.68	2.18	2.68	3.19
1.60	30 XL	1.910	48 XL	3.056	2188	2.11	1094	1.07	725	.71	—	—	—	—	—
	20 XL	1.273	32 XL	2.037	2188	1.42	1094	.72	725	.46	—	—	—	1.86	2.36
	15 XL	.955	24 XL	1.528	2188	1.07	1094	.53	725	.36	—	1.52	2.02	2.53	3.03
	10 XL	.637	16 XL	1.019	2188	—	1094	.36■	725	.23	1.68 ^④	2.19 ^④	2.69 ^④	3.19 ^④	3.69 ^④

□ Pulley combinations shown are for conventional speed-reduction ratios; same table can be used for speed step-up ratios by making proper correction of driveN speed and belt hp capacity per inch width.

■ Pulley diameter is below recommended minimum; if used reduced belt life must be expected.

† Center distances shown are **theoretical**; manufacturing tolerances of belt length and pulley diameters can affect actual operating drive center distances.



Stock Drive Selection

XL 1/5" Pitch

center distance, inches†																speed ratio □
according to belt pitch length (PL), inches and corresponding code number (bold type)																
PL: 11.00 55 teeth 110 XL	PL: 12.00 60 teeth 120 XL	PL: 13.00 65 teeth 130 XL	PL: 14.00 70 teeth 140 XL	PL: 15.00 75 teeth 150 XL	PL: 16.00 80 teeth 160 XL	PL: 17.00 85 teeth 170 XL	PL: 18.00 90 teeth 180 XL	PL: 19.00 95 teeth 190 XL	PL: 20.00 100 teeth 200 XL	PL: 21.00 105 teeth 210 XL	PL: 22.00 110 teeth 220 XL	PL: 23.00 115 teeth 230 XL	PL: 24.00 120 teeth 240 XL	PL: 25.00 125 teeth 250 XL	PL: 26.00 130 teeth 260 XL	
2.99	3.49	3.99	4.49	4.99	5.49	5.99	6.49	6.99	7.49	7.99	8.49	8.99	9.49	9.99	10.49	1.27
4.24 ^⑤	4.74 ^⑤	5.24 ^⑤	5.74 ^⑤	6.24 ^⑤	6.74 ^⑤	7.24 ^⑤	7.74 ^⑤	8.24 ^⑤	8.74 ^⑤	9.25 ^⑤	9.75 ^⑤	10.25 ^⑤	10.75 ^⑤	11.25 ^⑤	11.75 ^⑤	
2.28	2.78	3.29	3.79	4.29	4.79	5.29	5.79	6.29	6.79	7.29	7.79	8.29	8.79	9.29	9.79	1.29
3.89	4.39	4.89	5.39	5.89	6.39	6.89	7.39	7.89	8.39	8.89	9.39	9.89	10.39	10.89	11.39	
3.64	4.14	4.64	5.14	5.64	6.14	6.64	7.14	7.64	8.14	8.64	9.14	9.64	10.14	10.64	11.14	1.31
—	2.48	2.98	3.48	3.98	4.48	4.99	5.49	5.99	6.49	6.99	7.49	7.99	8.49	8.99	9.49	1.33
2.68	3.19	3.69	4.19	4.69	5.19	5.69	6.19	6.69	7.19	7.69	8.19	8.69	9.19	9.69	10.19	
3.04	3.54	4.04	4.54	5.04	5.54	6.04	6.54	7.04	7.54	8.04	8.54	9.04	9.54	10.04	10.54	
3.39	3.89	4.39	4.89	5.39	5.89	6.39	6.89	7.39	7.89	8.39	8.89	9.39	9.89	10.39	10.89	
3.74	4.24	4.74	5.24	5.74	6.24	6.74	7.24	7.74	8.24	8.74	9.24	9.74	10.24	10.74	11.24	
4.09 ^⑤	4.59 ^⑤	5.09 ^⑤	5.59 ^⑤	6.09 ^⑤	6.59 ^⑤	7.09 ^⑤	7.59 ^⑤	8.09 ^⑤	8.59 ^⑤	9.09 ^⑤	9.59 ^⑤	10.09 ^⑤	10.59 ^⑤	11.09 ^⑤	11.59 ^⑤	
2.88	3.39	3.89	4.39	4.89	5.39	5.89	6.39	6.89	7.39	7.89	8.39	8.89	9.39	9.89	10.39	1.36
4.19 ^⑤	4.69 ^⑤	5.19 ^⑤	5.69 ^⑤	6.19 ^⑤	6.69 ^⑤	7.19 ^⑤	7.69 ^⑤	8.19 ^⑤	8.69 ^⑤	9.19 ^⑤	9.69 ^⑤	10.19 ^⑤	10.69 ^⑤	11.19 ^⑤	11.69 ^⑤	
3.59	4.09	4.59	5.09	5.59	6.09	6.59	7.09	7.59	8.09	8.59	9.09	9.59	10.09	10.59	11.09	1.38
—	—	2.87	3.37	3.88	4.38	4.88	5.38	5.88	6.38	6.88	7.39	7.89	8.39	8.89	9.39	1.40
3.09	3.59	4.09	4.59	5.09	5.59	6.09	6.59	7.09	7.59	8.09	8.59	9.09	9.59	10.09	10.59	
3.69	4.19	4.69	5.19	5.69	6.19	6.69	7.19	7.69	8.19	8.69	9.19	9.69	10.19	10.69	11.19	
4.29 ^④	4.79 ^④	5.29 ^④	5.79 ^④	6.29 ^④	6.79 ^④	7.29 ^④	7.79 ^④	8.29 ^④	8.79 ^④	9.29 ^④	9.79 ^④	10.29 ^④	10.79 ^④	11.29 ^④	11.79 ^④	
—	2.57	3.07	3.58	4.08	4.58	5.08	5.58	6.08	6.58	7.09	7.59	8.09	8.59	9.09	9.59	1.43
2.93	3.43	3.94	4.44	4.94	5.44	5.94	6.44	6.94	7.44	7.94	8.44	8.94	9.44	9.94	10.44	
3.79	4.29	4.79	5.29	5.79	6.29	6.79	7.29	7.79	8.29	8.79	9.29	9.79	10.29	10.79	11.29	
2.78	3.28	3.78	4.28	4.78	5.29	5.79	6.29	6.79	7.29	7.79	8.29	8.79	9.29	9.79	10.29	1.45
4.14 ^⑤	4.64 ^⑤	5.14 ^⑤	5.64 ^⑤	6.14 ^⑤	6.64 ^⑤	7.14 ^⑤	7.64 ^⑤	8.14 ^⑤	8.64 ^⑤	9.14 ^⑤	9.64 ^⑤	10.14 ^⑤	10.64 ^⑤	11.14 ^⑤	11.64 ^⑤	
—	—	2.76	3.27	3.77	4.27	4.77	5.28	5.78	6.28	6.78	7.28	7.78	8.28	8.78	9.28	1.47
3.64	4.14	4.64	5.14	5.64	6.14	6.64	7.14	7.64	8.14	8.64	9.14	9.64	10.14	10.64	11.14	
—	2.46	2.96	3.47	3.97	4.47	4.98	5.48	5.98	6.48	6.98	7.48	7.98	8.48	8.98	9.49	1.50
2.47	2.97	3.47	3.98	4.48	4.98	5.48	5.98	6.48	6.98	7.49	7.99	8.49	8.99	9.49	9.99	
2.98	3.48	3.98	4.48	4.99	5.49	5.99	6.49	6.99	7.49	7.99	8.49	8.99	9.49	9.99	10.49	
3.49	3.99	4.49	4.99	5.49	5.99	6.49	6.99	7.49	7.99	8.49	8.99	9.49	9.99	10.49	10.99	
3.74	4.24	4.74	5.24	5.74	6.24	6.74	7.24	7.74	8.24	8.74	9.24	9.74	10.24	10.74	11.24	
3.99 ^⑤	4.49 ^⑤	4.99 ^⑤	5.49 ^⑤	5.99 ^⑤	6.49 ^⑤	6.99 ^⑤	7.49 ^⑤	7.99 ^⑤	8.49 ^⑤	8.99 ^⑤	9.49 ^⑤	9.99 ^⑤	10.49 ^⑤	10.99 ^⑤	11.49 ^⑤	
4.24 ^④	4.74 ^④	5.24 ^④	5.74 ^④	6.24 ^④	6.74 ^④	7.24 ^④	7.74 ^④	8.24 ^④	8.74 ^④	9.24 ^④	9.74 ^④	10.24 ^④	10.74 ^④	11.24 ^④	11.74 ^④	
2.82	3.33	3.83	4.33	4.83	5.33	5.84	6.34	6.84	7.34	7.84	8.34	8.84	9.34	9.84	10.34	1.52
3.18	3.68	4.18	4.68	5.19	5.69	6.19	6.69	7.19	7.69	8.19	8.69	9.19	9.69	10.19	10.69	1.56
—	—	2.85	3.36	3.86	4.37	4.87	5.37	5.87	6.38	6.88	7.38	7.88	8.38	8.88	9.38	1.57
3.69	4.19	4.69	5.19	5.69	6.19	6.69	7.19	7.69	8.19	8.69	9.19	9.69	10.19	10.69	11.19	
—	—	—	3.04	3.55	4.06	4.56	5.06	5.57	6.07	6.57	7.07	7.57	8.08	8.58	9.08	1.60
2.87	3.37	3.88	4.38	4.88	5.38	5.88	6.38	6.88	7.39	7.89	8.39	8.89	9.39	9.89	10.39	
3.53	4.04	4.54	5.04	5.54	6.04	6.54	7.04	7.54	8.04	8.54	9.04	9.54	10.04	10.54	11.04	
4.19 ^④	4.69 ^④	5.19 ^④	5.69 ^④	6.19 ^④	6.69 ^④	7.19 ^④	7.69 ^④	8.19 ^④	8.69 ^④	9.19 ^④	9.69 ^④	10.19 ^④	10.69 ^④	11.19 ^④	11.69 ^④	

Teeth in Mesh	F factor
6 or more	1.00
5	.80
4	.60
3	.40
2	.20

NOTE: Multiply the H.P. ratings shown in the Drive Section Tables by Factor "F" and the width correction factors shown below:

belt width	1/4	5/16	3/8	7/16	1/2	5/8	3/4	7/8	1	1 1/4	1 1/2
width factor	.15	.21	.28	.35	.42	.57	.71	.86	1.0	1.29	1.56

If the number of teeth in mesh (TIM) is 5 or less, the exact TIM is indicated by the number in a circle following the center distance.

PULLEYS

XL

1/5" Pitch

Stock Drive Selection

Martin

speed ratio □	pulley combination				driveN speed and hp capacity						center distance, inches†				
	driveR		driveN		3500 rpm driveR speed		1750 rpm driveR speed		1160 rpm driveR speed		according to belt pitch length (PL), inches and corresponding code number (bold type)				
	code: no. of grooves	pitch diameter in.	code: no. of grooves	pitch diameter in.	driveN speed rpm	hp for 1 inch belt	driveN speed rpm	hp for 1 inch belt	driveN speed rpm	hp for 1 inch belt	PL: 6.00 30 teeth 60 XL	PL: 7.00 35 teeth 70 XL	PL: 8.00 40 teeth 80 XL	PL: 9.00 45 teeth 90 XL	PL: 10.00 50 teeth 100 XL
1.64	22 XL	1.401	36 XL	2.292	2139	1.57	1069	.79	709	.52	—	—	—	—	—
	11 XL	.700	18 XL	1.146	2139	—	1069	.39	709	.26	1.53 ^⑤	2.03 ^⑤	2.54 ^⑤	3.04 ^⑤	3.54 ^⑤
1.67	24 XL	1.528	40 XL	2.546	2100	1.71	1050	.86	696	.56	—	—	—	—	—
	18 XL	1.146	30 XL	1.910	2100	1.28	1050	.64	696	.42	—	—	—	2.06	2.57
	12 XL	.764	20 XL	1.273	2100	.86	1050	.43	696	.28	1.37 ^⑤	1.88 ^⑤	2.38 ^⑤	2.88 ^⑤	3.39 ^⑤
1.71	28 XL	1.783	48 XL	3.056	2042	1.98	1021	1.00	677	.66	—	—	—	—	—
	21 XL	1.337	36 XL	2.292	2042	1.49	1021	.75	677	.50	—	—	—	—	2.09
	14 XL	.891	24 XL	1.528	2042	1.00	1021	.50	677	.33	—	1.56	2.07	2.58	3.08
1.75	24 XL	1.528	42 XL	2.674	2000	1.71	1000	.86	663	.56	—	—	—	—	—
	16 XL	1.019	28 XL	1.783	2000	1.15	1000	.58	663	.38	—	—	1.75	2.26	2.77
	12 XL	.764	21 XL	1.337	2000	.86	1000	.43	663	.28	1.31 ^⑤	1.82 ^⑤	2.33 ^⑤	2.83 ^⑤	3.33 ^⑤
1.78	18 XL	1.146	32 XL	2.037	1969	1.28	984	.64	653	.42	—	—	—	1.94	2.46
1.80	20 XL	1.273	36 XL	2.292	1944	1.42	972	.72	644	.46	—	—	—	—	2.13
	10 XL	.637	18 XL	1.146	1944	—	972	.36 [■]	644	.23	1.57 ^④	2.08 ^④	2.58 ^④	3.09 ^④	3.59 ^④
1.82	22 XL	1.401	40 XL	2.546	1925	1.57	963	.79	637	.52	—	—	—	—	—
	11 XL	.700	20 XL	1.273	1925	—	963	.39	637	.26	1.42 ^④	1.92 ^④	2.43 ^④	2.93 ^④	3.43 ^⑤
1.83	24 XL	1.528	44 XL	2.801	1909	1.71	955	.86	633	.56	—	—	—	—	—
	12 XL	.764	22 XL	1.401	1909	.86	955	.43	633	.28	—	1.77 ^⑤	2.27 ^⑤	2.78 ^⑤	3.28 ^⑤
1.87	15 XL	.955	28 XL	1.783	1875	1.07	937	.53	621	.36	—	—	1.80	2.31	2.82
1.88	16 XL	1.019	30 XL	1.910	1867	1.15	933	.58	619	.38	—	—	—	2.15	2.66
1.90	21 XL	1.337	40 XL	2.546	1838	1.49	919	.75	609	.50	—	—	—	—	—
1.91	22 XL	1.401	42 XL	2.674	1833	1.57	917	.79	607	.52	—	—	—	—	—
	11 XL	.700	21 XL	1.337	1833	—	917	.39	607	.26	1.36 ^④	1.87 ^④	2.37 ^④	2.88 ^⑤	3.38 ^⑤
2.00	30 XL	1.910	60 XL	3.820	1750	2.11	875	1.07	580	.71	—	—	—	—	—
	24 XL	1.528	48 XL	3.056	1750	1.71	875	.86	580	.56	—	—	—	—	—
	22 XL	1.401	44 XL	2.801	1750	1.57	875	.79	580	.52	—	—	—	—	—
	21 XL	1.337	42 XL	2.674	1750	1.49	875	.75	580	.50	—	—	—	—	—
	20 XL	1.273	40 XL	2.546	1750	1.42	875	.72	580	.46	—	—	—	—	—
	18 XL	1.146	36 XL	2.292	1750	1.28	875	.64	580	.42	—	—	—	—	2.22
	16 XL	1.019	32 XL	2.037	1750	1.15	875	.58	580	.38	—	—	—	2.03	2.54
	15 XL	.955	30 XL	1.910	1750	1.07	875	.53	580	.36	—	—	1.68	2.19	2.70
	14 XL	.891	28 XL	1.783	1750	1.00	875	.50	580	.33	—	—	1.84 ^⑤	2.35	2.86 ^⑤
	12 XL	.764	24 XL	1.528	1750	.86	875	.43	580	.28	—	1.65 ^④	2.16 ^④	2.67 ^⑤	3.17 ^⑤
	11 XL	.700	22 XL	1.401	1750	—	875	.39	580	.26	1.30 ^④	1.81 ^④	2.32 ^④	2.82 ^⑤	3.33 ^⑤
	10 XL	.637	20 XL	1.273	1750	—	875	.36 [■]	580	.23	1.46 ^④	1.97 ^④	2.48 ^④	2.98 ^④	3.48 ^④
2.10	21 XL	1.337	44 XL	2.801	1670	1.49	835	.75	554	.50	—	—	—	—	—
	20 XL	1.273	42 XL	2.674	1666	1.42	833	.72	552	.46	—	—	—	—	—
	10 XL	.637	21 XL	1.337	1666	—	833	.36 [■]	552	.23	1.40 ^④	1.91 ^④	2.42 ^④	2.92 ^④	3.43 ^④
2.13	15 XL	.955	32 XL	2.037	1641	1.07	820	.53	544	.36	—	—	—	2.07	2.59

□ Pulley combinations shown are for conventional speed-reduction ratios; same table can be used for speed step-up ratios by making proper correction of driveN speed and belt hp capacity per inch width.

■ Pulley diameter is below recommended minimum; if used reduced belt life must be expected.

† Center distances shown are **theoretical**; manufacturing tolerances of belt length and pulley diameters can affect actual operating drive center distances.



Stock Drive Selection

XL 1/5" Pitch

center distance, inches†															speed ratio □	
according to belt pitch length (PL), inches and corresponding code number (bold type)																
PL: 11.00 55 teeth 110 XL	PL: 12.00 60 teeth 120 XL	PL: 13.00 65 teeth 130 XL	PL: 14.00 70 teeth 140 XL	PL: 15.00 75 teeth 150 XL	PL: 16.00 80 teeth 160 XL	PL: 17.00 85 teeth 170 XL	PL: 18.00 90 teeth 180 XL	PL: 19.00 95 teeth 190 XL	PL: 20.00 100 teeth 200 XL	PL: 21.00 105 teeth 210 XL	PL: 22.00 110 teeth 220 XL	PL: 23.00 115 teeth 230 XL	PL: 24.00 120 teeth 240 XL	PL: 25.00 125 teeth 250 XL	PL: 26.00 130 teeth 260 XL	
2.56	3.06	3.57	4.07	4.57	5.08	5.58	6.08	6.58	7.08	7.58	8.08	8.58	9.08	9.59	10.09	1.64
4.04 ⁵	4.54 ⁵	5.04 ⁵	5.54 ⁵	6.04 ⁵	6.54 ⁵	7.04 ⁵	7.54 ⁵	8.04 ⁵	8.54 ⁵	9.04 ⁵	9.54 ⁵	10.04 ⁵	10.54 ⁵	11.04 ⁵	11.54 ⁵	
—	2.75	3.26	3.76	4.27	4.77	5.27	5.77	6.27	6.78	7.28	7.78	8.28	8.78	9.28	9.78	1.67
3.07	3.58	4.08	4.58	5.08	5.58	6.08	6.58	7.09	7.59	8.09	8.59	9.09	9.59	10.09	10.59	
3.89 ⁵	4.39 ⁵	4.89 ⁵	5.39 ⁵	5.89 ⁵	6.39 ⁵	6.89 ⁵	7.39 ⁵	7.89 ⁵	8.39 ⁵	8.89 ⁵	9.39 ⁵	9.89 ⁵	10.39 ⁵	10.89 ⁵	11.39 ⁵	
—	—	—	3.13	3.64	4.15	4.65	5.16	5.66	6.16	6.67	7.17	7.67	8.17	8.67	9.17	1.71
2.60	3.11	3.61	4.12	4.62	5.12	5.63	6.13	6.63	7.13	7.63	8.13	8.63	9.13	9.63	10.13	
3.58	4.08	4.58	5.09	5.59	6.09	6.59	7.09	7.59	8.09	8.59	9.09	9.59	10.09	10.59	11.09	
—	2.63	3.14	3.65	4.16	4.66	5.16	5.67	6.17	6.67	7.17	7.67	8.18	8.68	9.18	9.68	1.75
3.27	3.78	4.28	4.78	5.28	5.78	6.28	6.78	7.29	7.79	8.29	8.79	9.29	9.79	10.29	10.79	
3.83 ⁵	4.34 ⁵	4.84 ⁵	5.34 ⁵	5.84 ⁵	6.34 ⁵	6.84 ⁵	7.34 ⁵	7.84 ⁵	8.34 ⁵	8.84 ⁵	9.34 ⁵	9.84 ⁵	10.34 ⁵	10.84 ⁵	11.34 ⁵	
2.96	3.47	3.97	4.47	4.98	5.48	5.98	6.48	6.98	7.48	7.98	8.48	8.98	9.49	9.99	10.49	1.78
2.65	3.15	3.66	4.16	4.67	5.17	5.67	6.17	6.68	7.18	7.68	8.18	8.68	9.18	9.68	10.18	1.80
4.09 ⁴	4.59 ⁴	5.09 ⁴	5.69 ⁴	6.09 ⁴	6.59 ⁴	7.09 ⁴	7.59 ⁴	8.09 ⁴	8.59 ⁴	9.09 ⁴	9.59 ⁴	10.09 ⁴	10.59 ⁴	11.09 ⁴	11.59 ⁴	
2.32	2.84	3.35	3.85	4.36	4.86	5.36	5.87	6.37	6.87	7.37	7.87	8.38	8.88	9.38	9.88	1.82
3.94 ⁵	4.44 ⁵	4.94 ⁵	5.44 ⁵	5.94 ⁵	6.44 ⁵	6.94 ⁵	7.44 ⁵	7.94 ⁵	8.44 ⁵	8.94 ⁵	9.44 ⁵	9.94 ⁵	10.44 ⁵	10.94 ⁵	11.44 ⁵	
—	2.51	3.03	3.54	4.05	4.55	5.06	5.56	6.06	6.56	7.07	7.57	8.07	8.57	9.07	9.57	1.83
3.78 ⁵	4.28 ⁵	4.78 ⁵	5.29 ⁵	5.79 ⁵	6.29 ⁵	6.79 ⁵	7.29 ⁵	7.79 ⁵	8.29 ⁵	8.79 ⁵	9.29 ⁵	9.79 ⁵	10.29 ⁵	10.79 ⁵	11.29 ⁵	
3.32	3.82	4.33	4.83	5.33	5.83	6.33	6.83	7.33	7.83	8.34	8.84	9.34	9.84	10.34	10.84	1.87
3.16	3.67	4.17	4.67	5.18	5.68	6.18	6.68	7.18	7.68	8.18	8.68	9.18	9.69	10.19	10.69	1.88
2.37	2.88	3.39	3.90	4.40	4.91	5.41	5.91	6.42	6.92	7.42	7.92	8.42	8.93	9.43	9.93	1.90
—	2.72	3.23	3.74	4.25	4.75	5.26	5.76	6.26	6.77	7.27	7.77	8.27	8.77	9.27	9.77	1.91
3.88 ⁵	4.38 ⁵	4.89 ⁵	5.39 ⁵	5.89 ⁵	6.39 ⁵	6.89 ⁵	7.39 ⁵	7.89 ⁵	8.39 ⁵	8.89 ⁵	9.39 ⁵	9.89 ⁵	10.39 ⁵	10.89 ⁵	11.39 ⁵	
—	—	2.79	3.31	3.82	4.33	4.84	5.34	5.85	6.35	6.85	7.36	7.86	8.36	8.86	9.36	2.00
—	2.60	3.12	3.63	4.14	4.64	5.15	5.65	6.16	6.66	7.16	7.66	8.17	8.67	9.17	9.67	
2.25	2.76	3.28	3.79	4.29	4.80	5.30	5.81	6.31	6.81	7.31	7.82	8.32	8.82	9.32	9.82	
2.41	2.93	3.44	3.94	4.45	4.95	5.46	5.96	6.46	6.97	7.47	7.97	8.47	8.97	9.47	9.98	
2.74	3.24	3.75	4.26	4.76	5.26	5.77	6.27	6.77	7.27	7.77	8.28	8.78	9.28	9.78	10.28	
3.05	3.56	4.06	4.57	5.07	5.57	6.07	6.58	7.08	7.58	8.08	8.58	9.08	9.58	10.08	10.58	
3.21	3.71	4.22	4.72	5.22	5.73	6.23	6.73	7.23	7.73	8.23	8.73	9.23	9.73	10.23	10.73	
3.37	3.87	4.37	4.88	5.38	5.88	6.38	6.88	7.38	7.88	8.38	8.88	9.38	9.89	10.39	10.89	
3.68 ⁵	4.18 ⁵	4.68 ⁵	5.18 ⁵	5.68 ⁵	6.18 ⁵	6.68 ⁵	7.19 ⁵	7.69 ⁵	8.19 ⁵	8.69 ⁵	9.19 ⁵	9.69 ⁵	10.19 ⁵	10.69 ⁵	11.19 ⁵	
3.83 ⁵	4.33 ⁵	4.83 ⁵	5.33 ⁵	5.84 ⁵	6.34 ⁵	6.84 ⁵	7.34 ⁵	7.84 ⁵	8.34 ⁵	8.84 ⁵	9.34 ⁵	9.84 ⁵	10.34 ⁵	10.84 ⁵	11.34 ⁵	
3.98 ⁴	4.48 ⁴	4.99 ⁴	5.49 ⁴	5.99 ⁴	6.49 ⁴	6.99 ⁴	7.49 ⁴	7.99 ⁴	8.49 ⁴	8.99 ⁴	9.49 ⁴	9.99 ⁴	10.49 ⁴	10.99 ⁴	11.49 ⁴	
—	2.64	3.16	3.67	4.18	4.69	5.19	5.70	6.20	6.71	7.21	7.71	8.21	8.71	9.22	9.72	2.10
2.29	2.81	3.32	3.83	4.34	4.84	5.35	5.85	6.36	6.86	7.36	7.86	8.37	8.87	9.37	9.87	
3.93 ⁴	4.43 ⁴	4.93 ⁴	5.43 ⁴	5.94 ⁴	6.44 ⁴	6.94 ⁴	7.44 ⁴	7.94 ⁴	8.44 ⁴	8.94 ⁴	9.44 ⁴	9.94 ⁴	10.44 ⁴	10.94 ⁴	11.44 ⁴	
3.10	3.60	4.11	4.61	5.12	5.62	6.12	6.62	7.12	7.63	8.13	8.63	9.13	9.63	10.13	10.63	2.13

Teeth in Mesh	F factor
6 or more	1.00
5	.80
4	.60
3	.40
2	.20

† Center distances shown are **theoretical**; manufacturing tolerances of belt length and pulley diameters can affect actual operating drive center distances.

NOTE: Multiply the H.P. ratings shown in the Drive Section Tables by Factor "F" and the width correction factors shown below:

belt width	¼	⅜	½	⅝	¾	1	1¼	1½			
width factor	.15	.21	.28	.35	.42	.57	.71	.86	1.0	1.29	1.56

If the number of teeth in mesh (TIM) is 5 or less, the exact TIM is indicated by the number in a circle following the center distance.

XL 1/5" Pitch

Stock Drive Selection

Martin

speed ratio □	pulley combination				driveN speed and hp capacity						center distance, inches†				
	driveR		driveN		3500 rpm driveR speed		1750 rpm driveR speed		1160 rpm driveR speed		according to belt pitch length (PL), inches and corresponding code number (bold type)				
	code: no. of grooves	pitch diameter in.	code: no. of grooves	pitch diameter in.	driveN speed rpm	hp for 1 inch belt	driveN speed rpm	hp for 1 inch belt	driveN speed rpm	hp for 1 inch belt	PL: 6.00 30 teeth 60 XL	PL: 7.00 35 teeth 70 XL	PL: 8.00 40 teeth 80 XL	PL: 9.00 45 teeth 90 XL	PL: 10.00 50 teeth 100 XL
2.14	28 XL	1.783	60 XL	3.820	1633	1.98	817	1.00	542	.66	—	—	—	—	—
	14 XL	.891	30 XL	1.910	1633	1.08	817	.50	542	.33	—	—	1.72 ^⑤	2.24 ^⑤	2.75
2.18	22 XL	1.401	48 XL	3.056	1604	1.57	802	.79	532	.52	—	—	—	—	—
	11 XL	.700	24 XL	1.528	1604	—	802	.39	532	.26	—	1.69 ^④	2.21 ^④	2.71 ^④	3.22 ^④
2.20	20 XL	1.273	44 XL	2.801	1591	1.42	795	.72	527	.46	—	—	—	—	—
	10 XL	.637	22 XL	1.401	1591	—	795	.36■	527	.23	1.34 ^③	1.86 ^④	2.36 ^④	2.87 ^④	3.37 ^④
2.22	18 XL	1.146	40 XL	2.546	1575	1.28	788	.64	523	.42	—	—	—	—	—
2.25	16 XL	1.019	36 XL	2.292	1556	1.15	778	.58	516	.38	—	—	—	—	2.31
2.29	21 XL	1.337	48 XL	3.056	1531	1.49	766	.75	508	.50	—	—	—	—	—
	14 XL	.891	32 XL	2.037	1531	1.00	766	.50	508	.33	—	—	—	2.12 ^⑤	2.63 ^⑤
2.33	18 XL	1.146	42 XL	2.674	1500	1.28	750	.64	498	.42	—	—	—	—	—
	12 XL	.764	28 XL	1.783	1500	.86	750	.43	498	.28	—	—	1.93 ^④	2.44 ^⑤	2.95 ^⑤
2.40	30 XL	1.910	72 XL	4.584	1458	2.11	729	1.07	483	.71	—	—	—	—	—
	20 XL	1.273	48 XL	3.056	1458	1.42	729	.72	483	.46	—	—	—	—	—
	15 XL	.955	36 XL	2.292	1458	1.07	729	.53	483	.36	—	—	—	—	2.35
	10 XL	.637	24 XL	1.528	1458	—	729	.36■	483	.23	—	1.74 ^④	2.25 ^④	2.76 ^④	3.27 ^④
2.44	18 XL	1.146	44 XL	2.801	1432	1.28	716	.64	475	.42	—	—	—	—	—
2.50	24 XL	1.528	60 XL	3.820	1400	1.71	700	.86	464	.56	—	—	—	—	—
	16 XL	1.019	40 XL	2.546	1400	1.15	700	.58	464	.38	—	—	—	—	2.05
	12 XL	.764	30 XL	1.910	1400	.86	700	.43	464	.28	—	—	1.80 ^④	2.32 ^④	2.84 ^⑤
2.55	11 XL	.700	28 XL	1.783	1375	—	688	.39	456	.26	—	—	1.97 ^④	2.49 ^④	3.00 ^④
2.57	28 XL	1.783	72 XL	4.584	1361	1.98	681	1.00	451	.66	—	—	—	—	—
	14 XL	.891	36 XL	2.292	1361	1.00	681	.50	451	.33	—	—	—	1.86 ^⑤	2.39 ^⑤
2.63	16 XL	1.019	42 XL	2.674	1333	1.15	666	.58	442	.38	—	—	—	—	—
2.67	18 XL	1.146	48 XL	3.056	1312	1.28	656	.64	435	.42	—	—	—	—	—
	15 XL	.955	40 XL	2.546	1312	1.07	656	.53	435	.36	—	—	—	—	2.09 ^⑤
	12 XL	.764	32 XL	2.037	1312	.86	656	.43	435	.28	—	—	1.67 ^④	2.20 ^④	2.72 ^⑤
2.73	22 XL	1.401	60 XL	3.820	1283	1.57	642	.79	425	.52	—	—	—	—	—
	11 XL	.700	30 XL	1.910	1283	—	642	.39	425	.26	—	—	1.85 ^④	2.37 ^④	2.88 ^④
2.75	16 XL	1.019	44 XL	2.801	1273	1.15	636	.58	422	.38	—	—	—	—	—
2.80	15 XL	.955	42 XL	2.674	1250	1.07	625	.53	414	.36	—	—	—	—	—
	10 XL	.637	28 XL	1.783	1250	—	625	.36■	414	.23	—	1.48 ^③	2.01 ^④	2.53 ^④	3.04 ^④
2.86	21 XL	1.337	60 XL	3.820	1225	1.49	613	.75	406	.50	—	—	—	—	—
	14 XL	.891	40 XL	2.546	1225	1.00	613	.50	406	.33	—	—	—	—	2.13 ^⑤
2.91	11 XL	.700	32 XL	2.037	1203	—	601	.39	399	.26	—	—	1.71 ^③	2.25 ^④	2.76 ^④
2.93	15 XL	.955	44 XL	2.801	1193	1.07	597	.53	396	.36	—	—	—	—	—

□ Pulley combinations shown are for conventional speed-reduction ratios; same table can be used for speed step-up ratios by making proper correction of driveN speed and belt hp capacity per inch width.

■ Pulley diameter is below recommended minimum; if used reduced belt life must be expected.

† Center distances shown are **theoretical**; manufacturing tolerances of belt length and pulley diameters can affect actual operating drive center distances.



Stock Drive Selection

XL 1/5" Pitch

center distance, inches†																speed ratio □
according to belt pitch length (PL), inches and corresponding code number (bold type)																
PL: 11.00 55 teeth 110 XL	PL: 12.00 60 teeth 120 XL	PL: 13.00 65 teeth 130 XL	PL: 14.00 70 teeth 140 XL	PL: 15.00 75 teeth 150 XL	PL: 16.00 80 teeth 160 XL	PL: 17.00 85 teeth 170 XL	PL: 18.00 90 teeth 180 XL	PL: 19.00 95 teeth 190 XL	PL: 20.00 100 teeth 200 XL	PL: 21.00 105 teeth 210 XL	PL: 22.00 110 teeth 220 XL	PL: 23.00 115 teeth 230 XL	PL: 24.00 120 teeth 240 XL	PL: 25.00 125 teeth 250 XL	PL: 26.00 130 teeth 260 XL	
—	—	—	—	—	3.44	3.96	4.48	4.99	5.50	6.01	6.52	7.02	7.53	8.03	8.53	2.14
3.26	3.76	4.27	4.77	5.27	5.77	6.27	6.78	7.28	7.78	8.28	8.78	9.28	9.78	10.28	10.78	
—	—	2.88	3.39	3.91	4.42	4.93	5.43	5.94	6.44	6.95	7.45	7.95	8.45	8.96	9.46	2.18
3.72 _⑤	4.23 _⑤	4.73 _⑤	5.23 _⑤	5.73 _⑤	6.23 _⑤	6.73 _⑤	7.23 _⑤	7.73 _⑤	8.24 _⑤	8.74 _⑤	9.24 _⑤	9.74 _⑤	10.24 _⑤	10.74 _⑤	11.24 _⑤	
—	2.69	3.20	3.72	4.23	4.73	5.24	5.74	6.25	6.75	7.26	7.76	8.26	8.76	9.26	9.77	2.20
3.88 _④	4.38 _④	4.88 _④	5.38 _④	5.88 _④	6.38 _④	6.88 _④	7.39 _④	7.89 _④	8.39 _④	8.89 _④	9.39 _④	9.89 _④	10.39 _④	10.89 _④	11.39 _④	
2.50	3.01	3.53	4.03	4.54	5.05	5.55	6.05	6.56	7.06	7.56	8.07	8.57	9.07	9.57	10.07	2.22
2.82	3.33	3.84	4.35	4.85	5.36	5.86	6.36	6.87	7.37	7.87	8.37	8.87	9.37	9.87	10.38	2.25
—	2.39	2.92	3.44	3.95	4.46	4.97	5.48	5.98	6.49	6.99	7.50	8.00	8.50	9.00	9.51	2.29
3.14	3.65	4.16	4.66	5.16	5.67	6.17	6.67	7.17	7.67	8.18	8.68	9.18	9.68	10.18	10.68	
2.37	2.89	3.41	3.92	4.43	4.94	5.44	5.95	6.45	6.95	7.46	7.96	8.46	8.96	9.46	9.97	2.33
3.46 _⑤	3.96 _⑤	4.47 _⑤	4.97 _⑤	5.47 _⑤	5.97 _⑤	6.48 _⑤	6.98 _⑤	7.48 _⑤	7.98 _⑤	8.48 _⑤	8.98 _⑤	9.48 _⑤	9.98 _⑤	10.48 _⑤	10.98 _⑤	
—	—	—	—	—	—	—	3.65	4.18	4.70	5.22	5.74	6.25	6.76	7.27	7.78	2.40
—	2.43	2.96	3.48	4.00	4.51	5.02	5.52	6.03	6.53	7.00	7.54	8.05	8.55	9.05	9.55	
2.87	3.38	3.89	4.39	4.90	5.40	5.91	6.41	6.91	7.42	7.92	8.42	8.92	9.42	9.92	10.42	
3.77 _④	4.27 _④	4.77 _④	5.28 _④	5.78 _④	6.28 _④	6.78 _④	7.28 _④	7.78 _④	8.28 _④	8.78 _④	9.28 _④	9.79 _④	10.29 _④	10.79 _④	11.29 _④	
2.24	2.77	3.29	3.81	4.32	4.82	5.33	5.84	6.34	6.85	7.35	7.85	8.35	8.86	9.36	9.86	2.44
—	—	—	—	3.08	3.61	4.14	4.65	5.17	5.68	6.19	6.70	7.20	7.71	8.22	8.72	2.50
2.58	3.10	3.61	4.12	4.63	5.14	5.64	6.15	6.65	7.15	7.66	8.16	8.66	9.16	9.67	10.17	
3.35 _⑤	3.85 _⑤	4.36 _⑤	4.86 _⑤	5.36 _⑤	5.87 _⑤	6.37 _⑤	6.87 _⑤	7.37 _⑤	7.87 _⑤	8.38 _⑤	8.88 _⑤	9.38 _⑤	9.88 _⑤	10.38 _⑤	10.88 _⑤	
3.50 _④	4.01 _⑤	4.51 _⑤	5.02 _⑤	5.52 _⑤	6.02 _⑤	6.52 _⑤	7.02 _⑤	7.53 _⑤	8.03 _⑤	8.53 _⑤	9.03 _⑤	9.53 _⑤	10.03 _⑤	10.53 _⑤	11.03 _⑤	2.55
—	—	—	—	—	—	—	3.73	4.26	4.79	5.31	5.83	6.34	6.85	7.36	7.87	2.57
2.91 _⑤	3.42	3.93	4.44	4.95	5.45	5.95	6.46	6.96	7.46	7.96	8.47	8.97	9.47	9.97	10.47	
2.45	2.98	3.50	4.01	4.52	5.03	5.53	6.04	6.54	7.05	7.55	8.05	8.56	9.06	9.56	10.06	2.63
—	2.51	3.04	3.57	4.08	4.60	5.11	5.61	6.12	6.63	7.13	7.64	8.14	8.64	9.15	9.65	2.67
2.62 _⑤	3.14	3.66	4.17	4.68	5.18	5.69	6.19	6.70	7.20	7.70	8.21	8.71	9.21	9.71	10.21	
3.23	3.74	4.25 _⑤	4.75 _⑤	5.26 _⑤	5.76 _⑤	6.26 _⑤	6.77 _⑤	7.27 _⑤	7.77 _⑤	8.27 _⑤	8.77 _⑤	9.27 _⑤	9.77 _⑤	10.28 _⑤	10.78 _⑤	
—	—	—	—	3.16	3.70	4.22	4.74	5.26	5.77	6.28	6.79	7.30	7.80	8.31	8.81	2.73
3.39 _④	3.90 _④	4.40 _⑤	4.91 _⑤	5.41 _⑤	5.91 _⑤	6.42 _⑤	6.92 _⑤	7.42 _⑤	7.92 _⑤	8.42 _⑤	8.93 _⑤	9.43 _⑤	9.93 _⑤	10.43 _⑤	10.93 _⑤	
2.32 _⑤	2.86	3.38	3.89	4.41	4.91	5.42	5.93	6.43	6.94	7.44	7.95	8.45	8.95	9.45	9.96	2.75
2.50 _⑤	3.02	3.54	4.05	4.56	5.07	5.58	6.08	6.59	7.09	7.60	8.10	8.60	9.11	9.61	10.11	2.80
3.55 _④	4.06 _④	4.56 _④	5.06 _④	5.57 _④	6.07 _④	6.57 _④	7.07 _④	7.57 _④	8.08 _④	8.58 _④	9.08 _④	9.58 _④	10.08 _④	10.58 _④	11.08 _④	
—	—	—	—	3.20	3.74	4.26	4.78	5.30	5.81	6.32	6.83	7.34	7.85	8.35	8.86	2.86
2.67 _⑤	3.19 _⑤	3.70 _⑤	4.21	4.72	5.23	5.74	6.24	6.74	7.25	7.75	8.25	8.76	9.26	9.76	10.26	
3.28 _④	3.79 _④	4.29 _④	4.80 _⑤	5.30 _⑤	5.81 _⑤	6.31 _⑤	6.81 _⑤	7.31 _⑤	7.82 _⑤	8.32 _⑤	8.82 _⑤	9.32 _⑤	9.82 _⑤	10.32 _⑤	10.82 _⑤	2.91
2.36 _⑤	2.90 _⑤	3.42	3.94	4.45	4.96	5.47	5.97	6.48	6.98	7.49	7.99	8.50	9.00	9.50	10.00	2.93

Teeth in Mesh	F factor
6 or more	1.00
5	.80
4	.60
3	.40
2	.20

NOTE: Multiply the H.P. ratings shown in the Drive Section Tables by Factor "F" and the width correction factors shown below:

belt width	1/4	5/16	3/8	7/16	1/2	5/8	3/4	7/8	1	1 1/4	1 1/2
width factor	.15	.21	.28	.35	.42	.57	.71	.86	1.0	1.29	1.56

If the number of teeth in mesh (TIM) is 5 or less, the exact TIM is indicated by the number in a circle following the center distance.

XL 1/5" Pitch

Stock Drive Selection



speed ratio □	pulley combination				driveN speed and hp capacity						center distance, inches †				
	driveR		driveN		3500 rpm driveR speed		1750 rpm driveR speed		1160 rpm driveR speed		according to belt pitch length (PL), inches and corresponding code number (bold type)				
	code: no. of grooves	pitch diameter in.	code: no. of grooves	pitch diameter in.	driveN speed rpm	hp for 1 inch belt	driveN speed rpm	hp for 1 inch belt	driveN speed rpm	hp for 1 inch belt	PL: 6.00 30 teeth 60 XL	PL: 7.00 35 teeth 70 XL	PL: 8.00 40 teeth 80 XL	PL: 9.00 45 teeth 90 XL	PL: 10.00 50 teeth 100 XL
3.00	24 XL	1.528	72 XL	4.584	1167	1.71	583	.86	387	.56	—	—	—	—	—
	20 XL	1.273	60 XL	3.820	1167	1.42	583	.72	387	.46	—	—	—	—	—
	16 XL	1.019	48 XL	3.056	1167	1.15	583	.58	387	.38	—	—	—	—	—
	14 XL	.891	42 XL	2.674	1167	1.00	583	.50	387	.33	—	—	—	—	1.99 ^④
	12 XL	.764	36 XL	2.292	1167	.86	583	.43	387	.28	—	—	—	1.94 ^④	2.48 ^④
3.14	10 XL	.637	30 XL	1.910	1167	—	583	.36■	387	.23	—	—	1.89 ^③	2.41 ^④	2.93 ^④
	14 XL	.891	44 XL	2.801	1114	1.00	557	.50	370	.33	—	—	—	—	—
3.20	15 XL	.955	48 XL	3.056	1094	1.07	547	.53	363	.36	—	—	—	—	—
	10 XL	.637	32 XL	2.037	1094	—	547	.36■	.363	.23	—	—	1.75 ^③	2.29 ^③	2.81 ^③
3.27	22 XL	1.401	72 XL	4.584	1069	1.57	535	.79	355	.52	—	—	—	—	—
	11 XL	.700	36 XL	2.292	1069	—	535	.39	355	.26	—	—	—	1.98 ^③	2.52 ^④
3.33	18 XL	1.146	60 XL	3.820	1050	1.28	525	.64	348	.42	—	—	—	—	—
	12 XL	.764	40 XL	2.546	1050	.86	525	.43	348	.28	—	—	—	—	2.21 ^④
3.43	21 XL	1.337	72 XL	4.584	1021	1.49	510	.75	338	.50	—	—	—	—	—
	14 XL	.891	48 XL	3.056	1021	1.00	510	.50	338	.33	—	—	—	—	—
3.50	12 XL	.764	42 XL	2.674	1000	.86	500	.43	331	.28	—	—	—	—	2.07 ^④
3.60	20 XL	1.273	72 XL	4.584	972	1.42	486	.72	322	.46	—	—	—	—	—
	10 XL	.637	36 XL	2.292	972	—	486	.36■	322	.23	—	—	—	2.02 ^③	2.56 ^③
3.64	11 XL	.700	40 XL	2.546	963	—	481	.39	319	.26	—	—	—	—	2.25 ^③
3.67	12 XL	.764	44 XL	2.801	955	.86	477	.43	316	.28	—	—	—	—	—
3.75	16 XL	1.019	60 XL	3.820	933	1.15	467	.58	309	.38	—	—	—	—	—
3.82	11 XL	.700	42 XL	2.674	917	—	458	.39	304	.26	—	—	—	—	2.11 ^⑤
4.00	18 XL	1.146	72 XL	4.584	875	1.28	438	.64	290	.42	—	—	—	—	—
	15 XL	.955	60 XL	3.820	875	1.07	438	.53	290	.36	—	—	—	—	—
	12 XL	.764	48 XL	3.056	875	.86	438	.43	290	.28	—	—	—	—	—
	11 XL	.700	44 XL	2.801	875	—	438	.39	290	.26	—	—	—	—	1.96 ^③
	10 XL	.637	40 XL	2.546	875	—	438	.36■	290	.23	—	—	—	—	2.29 ^③
4.20	10 XL	.637	42 XL	2.674	832	—	416	.36■	276	.23	—	—	—	—	2.15 ^③
4.29	14 XL	.891	60 XL	3.820	817	1.00	408	.50	270	.33	—	—	—	—	—
4.36	11 XL	.700	48 XL	3.056	802	—	401	.39	266	.26	—	—	—	—	—
4.40	10 XL	.637	44 XL	2.801	796	—	398	.36■	264	.23	—	—	—	—	1.99 ^③
4.50	16 XL	1.019	72 XL	4.584	778	1.15	389	.58	258	.38	—	—	—	—	—
4.80	15 XL	.955	72 XL	4.584	730	1.07	365	.53	242	.36	—	—	—	—	—
	10 XL	.637	48 XL	3.056	730	—	365	.36■	242	.23	—	—	—	—	—
5.00	12 XL	.764	60 XL	3.820	700	.86	350	.43	232	.28	—	—	—	—	—
5.14	14 XL	.891	72 XL	4.584	681	1.00	340	.50	226	.33	—	—	—	—	—
5.45	11 XL	.700	60 XL	3.820	642	—	321	.39	213	.26	—	—	—	—	—
6.00	12 XL	.764	72 XL	4.584	584	.86	292	.43	193	.28	—	—	—	—	—
	10 XL	.637	60 XL	3.820	584	—	292	.36■	193	.23	—	—	—	—	—
6.55	11 XL	.755	72 XL	4.584	535	—	267	.39	177	.26	—	—	—	—	—
7.20	10 XL	.637	72 XL	4.584	486	—	243	.36■	161	.23	—	—	—	—	—

□ Pulley combinations shown are for conventional speed-reduction ratios; same table can be used for speed step-up ratios by making proper correction of driveN speed and belt hp capacity per inch width.

■ Pulley diameter is below recommended minimum; if used reduced belt life must be expected.

† Center distances shown are **theoretical**; manufacturing tolerances of belt length and pulley diameters can affect actual operating drive center distances.



Stock Drive Selection

XL 1/5" Pitch

center distance, inches†																speed ratio □
according to belt pitch length (PL), inches and corresponding code number (bold type)																
PL: 11.00 55 teeth 110 XL	PL: 12.00 60 teeth 120 XL	PL: 13.00 65 teeth 130 XL	PL: 14.00 70 teeth 140 XL	PL: 15.00 75 teeth 150 XL	PL: 16.00 80 teeth 160 XL	PL: 17.00 85 teeth 170 XL	PL: 18.00 90 teeth 180 XL	PL: 19.00 95 teeth 190 XL	PL: 20.00 100 teeth 200 XL	PL: 21.00 105 teeth 210 XL	PL: 22.00 110 teeth 220 XL	PL: 23.00 115 teeth 230 XL	PL: 24.00 120 teeth 240 XL	PL: 25.00 125 teeth 250 XL	PL: 26.00 130 teeth 260 XL	
—	—	—	—	—	—	3.34	3.89	4.43	4.96	5.48	6.00	6.52	7.03	7.54	8.05	3.00
—	—	—	—	3.24	3.78	4.31	4.83	5.34	5.86	6.37	6.88	7.39	7.89	8.40	8.90	
—	2.59 ^⑤	3.13	3.65	4.17	4.68	5.20	5.70	6.21	6.72	7.22	7.73	8.23	8.74	9.24	9.74	
2.54 ^⑤	3.07 ^⑤	3.58 ^⑤	4.10 ^⑤	4.61	5.12	5.62	6.13	6.64	7.14	7.64	8.15	8.65	9.15	9.65	10.16	
3.00 ^④	3.51 ^⑤	4.02 ^⑤	4.53 ^⑤	5.04 ^⑤	5.54 ^⑤	6.05 ^⑤	6.55 ^⑤	7.05 ^⑤	7.56 ^⑤	8.06 ^⑤	8.56 ^⑤	9.06 ^⑤	9.57 ^⑤	10.07 ^⑤	10.57 ^⑤	
3.44 ^④	3.94 ^④	4.45 ^④	4.95 ^④	5.46 ^④	5.96 ^④	6.46 ^④	6.97 ^④	7.47 ^④	7.97 ^④	8.47 ^④	8.97 ^④	9.47 ^④	9.98 ^④	10.48 ^④	10.98 ^④	
2.40 ^④	2.94 ^⑤	3.46 ^④	3.98 ^⑤	4.49	5.00	5.51	6.02	6.53	7.03	7.53	8.04	8.54	9.05	9.55	10.05	3.14
—	2.63 ^⑤	3.17 ^⑤	3.70	4.21	4.73	5.24	5.75	6.26	6.76	7.27	7.77	8.28	8.78	9.29	9.79	3.20
3.32 ^④	3.83 ^④	4.34 ^④	4.84 ^④	5.35 ^④	5.85 ^④	6.36 ^④	6.86 ^④	7.36 ^④	7.86 ^④	8.37 ^④	8.87 ^④	9.37 ^④	9.87 ^④	10.37 ^④	10.87 ^④	
—	—	—	—	—	—	3.42	3.97	4.51	5.04	5.57	6.09	6.60	7.12	7.63	8.14	3.27
3.04 ^④	3.56 ^④	4.07 ^④	4.58 ^④	5.08 ^④	5.59 ^④	6.09 ^⑤	6.60 ^⑤	7.10 ^⑤	7.60 ^⑤	8.11 ^⑤	8.61 ^⑤	9.11 ^⑤	9.61 ^⑤	10.11 ^⑤	10.62 ^⑤	
—	—	—	2.77	3.32	3.86	4.39	4.91	5.43	5.94	6.46	6.97	7.48	7.98	8.49	9.00	3.33
2.75 ^⑤	3.27 ^⑤	3.79 ^⑤	4.30 ^⑤	4.81 ^⑤	5.32 ^⑤	5.83 ^⑤	6.33 ^⑤	6.84 ^⑤	7.34 ^⑤	7.84 ^⑤	8.35 ^⑤	8.85 ^⑤	9.35 ^⑤	9.86 ^⑤	10.36 ^⑤	
—	—	—	—	—	—	3.46	4.01	4.55	5.08	5.61	6.13	6.65	7.16	7.67	8.18	3.43
—	2.67 ^④	3.21 ^⑤	3.74 ^⑤	4.26 ^⑤	4.77 ^⑤	5.28	5.79	6.30	6.81	7.32	7.82	8.33	8.83	9.33	9.84	
2.62 ^④	3.15 ^④	3.67 ^④	4.19 ^⑤	4.70 ^⑤	5.21 ^⑤	5.72 ^⑤	6.22 ^⑤	6.73 ^⑤	7.23 ^⑤	7.74 ^⑤	8.24 ^⑤	8.74 ^⑤	9.25 ^⑤	9.75 ^⑤	10.25 ^⑤	3.50
—	—	—	—	—	—	3.50	4.05	4.59	5.13	5.65	6.17	6.69	7.20	7.72	8.23	3.60
3.08 ^④	3.60 ^④	4.11 ^④	4.62 ^④	5.13 ^④	5.63 ^④	6.14 ^④	6.64 ^④	7.15 ^④	7.65 ^④	8.15 ^④	8.66 ^④	9.16 ^④	9.66 ^④	10.16 ^④	10.66 ^④	
2.79 ^④	3.32 ^④	3.83 ^④	4.35 ^④	4.86 ^④	5.37 ^④	5.87 ^④	6.38 ^④	6.88 ^⑤	7.39 ^⑤	7.89 ^⑤	8.39 ^⑤	8.90 ^⑤	9.40 ^⑤	9.90 ^⑤	10.40 ^⑤	3.64
2.48 ^④	3.02 ^④	3.55 ^④	4.07 ^④	4.58 ^⑤	5.09 ^⑤	5.60 ^⑤	6.11 ^⑤	6.62 ^⑤	7.12 ^⑤	7.63 ^⑤	8.13 ^⑤	8.64 ^⑤	9.14 ^⑤	9.64 ^⑤	10.14 ^⑤	3.67
—	—	—	2.84 ^⑤	3.40 ^⑤	3.94	4.47	5.00	5.52	6.03	6.55	7.06	7.57	8.07	8.58	9.09	3.75
2.66 ^④	3.19 ^④	3.71 ^④	4.23 ^④	4.74 ^④	5.25 ^④	5.76 ^④	6.27 ^④	6.77 ^④	7.28 ^④	7.78 ^⑤	8.29 ^⑤	8.79 ^⑤	9.29 ^⑤	9.80 ^⑤	10.30 ^⑤	3.82
—	—	—	—	—	—	3.57	4.13	4.68	5.21	5.74	6.26	6.78	7.29	7.81	8.32	4.00
—	—	—	2.88 ^④	3.44 ^⑤	3.99 ^⑤	4.52 ^⑤	5.04	5.56	6.08	6.59	7.10	7.61	8.12	8.63	9.13 ^⑤	
2.19 ^③	2.75 ^④	3.29 ^④	3.82 ^④	4.34 ^④	4.86 ^④	5.37 ^⑤	5.88 ^⑤	6.39 ^⑤	6.90 ^⑤	7.41 ^⑤	7.91 ^⑤	8.42 ^⑤	8.92 ^⑤	9.43 ^⑤	9.93 ^⑤	
2.52 ^③	3.06 ^④	3.59 ^④	4.11 ^④	4.63 ^④	5.14 ^④	5.65 ^④	6.16 ^④	6.66 ^④	7.17 ^④	7.67 ^④	8.18 ^⑤	8.68 ^⑤	9.19 ^⑤	9.69 ^⑤	10.19 ^⑤	
2.83 ^③	3.36 ^④	3.88 ^④	4.39 ^④	4.90 ^④	5.41 ^④	5.92 ^④	6.42 ^④	6.93 ^④	7.43 ^④	7.94 ^④	8.44 ^④	8.94 ^④	9.45 ^④	9.95 ^④	10.45 ^④	
2.70 ^③	3.23 ^③	3.76 ^④	4.27 ^④	4.79 ^④	5.30 ^④	5.81 ^④	6.31 ^④	6.82 ^④	7.32 ^④	7.83 ^④	8.33 ^④	8.84 ^④	9.34 ^④	9.84 ^④	10.35 ^④	4.20
—	—	—	2.92 ^④	3.48 ^④	4.03 ^⑤	4.56 ^⑤	5.08 ^⑤	5.60 ^⑤	6.12 ^⑤	6.63 ^⑤	7.15	7.66	8.16	8.67	9.18	4.29
2.23 ^③	2.79 ^③	3.34 ^④	3.86 ^④	4.39 ^④	4.90 ^④	5.42 ^④	5.93 ^④	6.44 ^④	6.95 ^④	7.45 ^④	7.96 ^④	8.46 ^⑤	8.97 ^⑤	9.47 ^⑤	9.98 ^⑤	4.36
2.59 ^③	3.11 ^③	3.63 ^④	4.15 ^④	4.67 ^④	5.18 ^④	5.69 ^④	6.20 ^④	6.71 ^④	7.21 ^④	7.72 ^④	8.22 ^④	8.73 ^④	9.23 ^④	9.74 ^④	10.24 ^④	4.40
—	—	—	—	—	3.06 ^④	3.65 ^⑤	4.21 ^⑤	4.76 ^⑤	5.29	5.82	6.34	6.86	7.38	7.89	8.41	4.50
—	—	—	—	—	—	3.10 ^④	3.69 ^④	4.25 ^⑤	4.80 ^⑤	5.33 ^⑤	5.86 ^⑤	6.39	6.91	7.42	7.94	4.80
2.26 ^③	2.83 ^③	3.38 ^③	3.91 ^③	4.43 ^④	4.95 ^④	5.46 ^④	5.97 ^④	6.48 ^④	6.99 ^④	7.50 ^④	8.00 ^④	8.51 ^④	9.01 ^④	9.52 ^④	10.02 ^④	
—	—	—	3.00 ^③	3.56 ^④	4.11 ^④	4.64 ^④	5.17 ^④	5.69 ^④	6.21 ^④	6.72 ^⑤	7.23 ^⑤	7.74 ^⑤	8.25 ^⑤	8.76 ^⑤	9.27 ^⑤	5.00
—	—	—	—	—	3.14 ^④	3.73 ^④	4.29 ^④	4.84 ^⑤	5.38 ^⑤	5.90 ^⑤	6.43 ^⑤	6.95 ^⑤	7.47 ^⑤	7.98 ^⑤	8.49 ^⑤	5.14
—	—	—	3.04 ^③	3.60 ^③	4.15 ^④	4.68 ^④	5.21 ^④	5.73 ^④	6.25 ^④	6.77 ^④	7.28 ^④	7.79 ^④	8.30 ^④	8.81 ^④	9.31 ^④	5.45
—	—	—	—	—	—	3.21 ^③	3.81 ^③	4.37 ^④	4.92 ^④	5.46 ^④	5.99 ^④	6.51 ^④	7.03 ^④	7.55 ^④	8.07 ^⑤	6.00
—	—	2.46 ^②	3.07 ^③	3.64 ^③	—	4.19 ^③	4.73 ^③	5.25 ^④	5.77 ^④	6.29 ^④	6.81 ^④	7.32 ^④	7.83 ^④	8.34 ^④	8.85 ^④	
—	—	—	—	—	—	3.25 ^③	3.84 ^③	4.41 ^③	4.96 ^③	5.50 ^④	6.03 ^④	6.56 ^④	7.08 ^④	7.60 ^④	8.11 ^④	6.55
—	—	—	—	—	—	3.28 ^②	3.88 ^③	4.45 ^③	5.00 ^③	5.54 ^③	6.07 ^③	6.60 ^④	7.12 ^④	7.64 ^④	8.16 ^④	7.20

Teeth in Mesh	F factor
6 or more	1.00
5	.80
4	.60
3	.40
2	.20

NOTE: Multiply the H.P. ratings shown in the Drive Section Tables by Factor "F" and the width correction factors shown below:

belt width	1/4	5/16	3/8	7/16	1/2	5/8	3/4	7/8	1	1 1/4	1 1/2
width factor	.15	.21	.28	.35	.42	.57	.71	.86	1.0	1.29	1.56

If the number of teeth in mesh (TIM) is 5 or less, the exact TIM is indicated by the number in a circle following the center distance.

L
3/8" Pitch

Stock Drive Selection

Martin

speed ratio □	pulley combination				driveN speed and hp capacity						center distance, inches†				
	driveR		driveN		3500 rpm driveR speed		1750 rpm driveR speed		1160 rpm driveR speed		according to belt pitch length (PL), inches and corresponding code number (bold type)				
	code: no. of grooves	pitch diameter in.	code: no. of grooves	pitch diameter in.	driveN speed rpm	hp for 1 inch belt	driveN speed rpm	hp for 1 inch belt	driveN speed rpm	hp for 1 inch belt	PL: 12.375 33 teeth 124 L	PL: 15.00 40 teeth 150 L	PL: 18.75 50 teeth 187 L	PL: 21.00 56 teeth 210 L	PL: 22.50 60 teeth 225 L
1.00	48 L	5.730	48 L	5.730	3500	6.27	1750	4.06	1160	2.81	—	—	—	—	—
	44 L	5.252	44 L	5.252	3500	6.12	1750	3.77	1160	2.59	—	—	—	—	—
	40 L	4.775	40 L	4.775	3500	5.87	1750	3.47	1160	2.36	—	—	—	—	—
	36 L	4.297	36 L	4.297	3500	5.52	1750	3.15	1160	2.14	—	—	—	—	—
	32 L	3.820	32 L	3.820	3500	5.10	1750	2.83	1160	1.91	—	—	—	4.51	5.26
	30 L	3.581	30 L	3.581	3500	4.86	1750	2.66	1160	1.79	—	—	—	4.88	5.63
	28 L	3.342	28 L	3.342	3500	4.71	1750	2.49	1160	1.67	—	—	4.13	4.26	6.01
	26 L	3.104	26 L	3.104	3500	4.35	1750	2.32	1160	1.56	—	—	4.51	5.63	6.38
	24 L	2.865	24 L	2.865	3500	4.06	1750	2.15	1160	1.44	—	—	4.88	6.01	6.76
	22 L	2.626	22 L	2.626	3500	3.77	1750	1.98	1160	1.32	—	3.38	5.26	6.39	7.31
	21 L	2.507	21 L	2.507	3500	3.62	1750	1.89	1160	1.26	—	3.57	5.45	6.57	7.32
	20 L	2.387	20 L	2.387	3500	3.46	1750	1.80	1160	1.20	—	3.76	5.53	6.76	7.51
19 L	2.268	19 L	2.268	3500	3.31	1750	1.71	1160	1.14	2.63	3.95	5.82	6.95	7.70	
18 L	2.149	18 L	2.149	3500	3.15	1750	1.62	1160	1.08	2.82	4.13	6.01	7.14	7.89	
17 L	2.029	17 L	2.029	3500	2.99	1750	1.54	1160	1.03	3.01	4.32	6.20	7.32	8.07	
16 L	1.910	16 L	1.910	3500	2.83	1750	1.45	1160	.97	3.20	4.51	6.39	7.51	8.26	
14 L	1.671	14 L	1.671	3500	2.49■	1750	1.27	1160	.85	3.57	4.89	6.76	7.89	8.64	
12 L	1.432	12 L	1.432	3500	—	1750	1.09■	1160	.72	3.95	5.26	7.14	8.26	9.01	
1.04	21 L	2.507	22 L	2.626	3342	3.62	1671	1.89	1108	1.26	—	3.48	5.35	6.48	7.23
1.05	20 L	2.387	21 L	2.507	3333	3.46	1667	1.80	1105	1.20	—	3.66	5.54	6.67	7.42
	19 L	2.268	20 L	2.387	3325	3.31	1663	1.71	1102	1.14	—	3.85	5.73	6.85	7.60
1.06	18 L	2.149	19 L	2.268	3314	3.15	1657	1.62	1098	1.08	2.72	4.04	5.92	7.04	7.79
	17 L	2.029	18 L	2.149	3305	2.99	1653	1.54	1096	1.03	2.91	4.23	6.10	7.23	7.98
	16 L	1.910	17 L	2.029	3294	2.83	1647	1.45	1092	.97	3.10	4.42	6.29	7.42	8.17
1.07	30 L	3.581	32 L	3.820	3281	4.86	1641	2.66	1087	1.79	—	—	—	4.69	5.44
	28 L	3.342	30 L	3.581	3267	4.61	1633	2.49	1083	1.67	—	—	3.94	5.07	5.82
1.08	26 L	3.104	28 L	3.342	3250	4.35	1625	2.32	1077	1.56	—	—	4.32	5.44	6.19
	24 L	2.865	26 L	3.104	3231	4.06	1615	2.15	1071	1.44	—	—	4.69	5.82	6.57
1.09	44 L	5.252	48 L	5.730	3208	6.12	1804	3.77	1063	2.59	—	—	—	—	—
	22 L	2.626	24 L	2.865	3208	3.77	1604	1.98	1063	1.32	—	—	5.07	6.20	6.95
1.10	40 L	4.775	44 L	5.252	3182	5.87	1591	3.47	1055	2.36	—	—	—	—	—
	20 L	2.387	22 L	2.626	3182	3.46	1591	1.80	1055	1.20	—	3.57	5.45	6.57	7.32
1.11	36 L	4.297	40 L	4.775	3150	5.52	1575	3.15	1044	2.14	—	—	—	—	—
	19 L	2.268	21 L	2.507	3167	3.31	1583	1.71	1050	1.14	—	3.76	5.63	6.76	7.51
	18 L	2.149	20 L	2.387	3150	3.15	1575	1.62	1044	1.08	—	3.94	5.82	6.95	7.70
1.12	17 L	2.029	19 L	2.268	3132	2.99	1566	1.54	1038	1.03	2.82	4.13	6.01	7.14	7.89
1.13	32 L	3.820	36 L	4.297	3111	5.10	1556	2.83	1031	1.91	—	—	—	—	4.88
	16 L	1.910	18 L	2.149	3111	2.83	1556	1.45	1031	.97	—	4.32	6.20	7.32	8.07
1.14	28 L	3.342	32 L	3.820	3063	4.61	1531	2.49	1015	1.67	—	—	—	4.88	5.63
	21 L	2.507	24 L	2.865	3063	3.62	1531	1.89	1015	1.26	—	3.28	5.16	6.29	7.04
	14 L	1.671	16 L	1.910	3036	2.49■	1531	1.27	1015	.85	3.38	4.70	6.57	7.70	8.45
1.15	26 L	3.104	30 L	3.581	3033	4.35	1517	2.32	1005	1.56	—	—	4.12	5.25	6.00
1.16	19 L	2.268	22 L	2.626	3023	3.31	1511	1.71	1002	1.14	—	3.66	5.54	6.66	7.41

□ Pulley combinations shown are for conventional speed-reduction ratios; same table can be used for speed step-up ratios by making proper correction of driveN speed and belt hp capacity per inch width.

■ Pulley diameter is below recommended minimum; if used reduced belt life must be expected.

† Center distances shown are **theoretical**; manufacturing tolerances of belt length and pulley diameters can affect actual operating drive center distances.



Stock Drive Selection

L
3/8" Pitch

center distance, inches†																speed ratio □
according to belt pitch length (PL), inches and corresponding code number (bold type)																
PL: 24.00 64 teeth 240 L	PL: 25.50 68 teeth 255 L	PL: 27.00 72 teeth 270 L	PL: 28.50 76 teeth 285 L	PL: 30.00 80 teeth 300 L	PL: 32.25 86 teeth 322 L	PL: 34.50 92 teeth 345 L	PL: 36.75 98 teeth 367 L	PL: 39.00 104 teeth 390 L	PL: 42.00 112 teeth 420 L	PL: 45.00 120 teeth 450 L	PL: 48.00 128 teeth 480 L	PL: 51.00 136 teeth 510 L	PL: 54.00 144 teeth 540 L	PL: 60.00 160 teeth 600 L		
—	—	—	—	—	7.13	8.26	9.38	10.51	12.01	13.51	15.01	16.51	18.01	21.01	1.00	
—	—	—	6.01	6.76	7.88	9.01	10.13	11.26	12.76	14.26	15.76	17.26	18.76	21.76		
—	5.26	6.01	6.76	7.51	8.63	9.76	10.88	12.01	13.51	15.01	16.51	18.01	19.51	22.51		
5.26	6.01	6.76	7.51	8.26	9.38	10.51	11.63	12.76	14.26	15.76	17.26	18.76	20.26	23.26		
6.01	6.76	7.51	8.26	9.01	10.14	11.26	12.39	13.51	15.01	16.51	18.01	19.51	21.01	24.01	1.04	
6.38	7.13	7.88	8.63	9.39	10.51	11.64	12.76	13.89	15.39	16.89	18.39	19.89	21.39	24.39		
6.76	7.51	8.26	9.01	9.76	10.89	12.01	13.14	14.26	15.76	17.26	18.76	20.26	21.76	24.76		
7.13	7.88	8.63	9.39	10.14	11.26	12.39	13.51	14.64	16.14	17.64	19.14	20.64	22.14	25.14		
7.51	8.26	9.01	9.76	10.51	11.64	12.76	13.89	15.01	16.51	18.01	19.51	21.01	22.51	25.50	1.06	
7.89	8.64	9.39	10.14	10.89	12.01	13.14	14.26	15.39	16.89	18.39	19.89	21.39	22.89	25.89		
8.07	8.82	9.57	10.32	11.07	12.20	13.32	14.45	15.57	17.07	18.57	20.08	21.58	23.08	26.08		
8.26	9.01	9.76	10.51	11.26	12.39	13.51	14.64	15.76	17.26	18.76	20.26	21.76	23.26	26.26		
8.54	9.20	9.95	10.70	11.45	12.57	13.70	14.82	15.95	17.45	18.95	20.45	21.95	23.45	26.45	1.07	
8.64	9.39	10.14	10.89	11.64	12.76	13.89	15.01	16.14	17.64	19.14	20.64	22.14	23.64	26.64		
8.82	9.57	10.32	11.07	11.83	12.95	14.07	15.20	16.33	17.83	19.33	20.83	22.33	23.83	26.83		
9.01	9.76	10.51	11.26	12.01	13.14	14.26	15.39	16.51	18.01	19.51	21.01	22.51	24.01	27.01		
9.39	10.14	10.89	11.64	12.39	13.51	14.64	15.76	16.89	18.39	19.89	21.39	22.89	24.39	27.39	1.08	
9.76	10.51	11.26	12.01	12.76	13.89	15.01	16.14	17.26	18.76	20.26	21.76	23.26	24.76	27.76		
7.98	8.73	9.48	10.23	10.98	12.11	13.23	14.36	15.48	16.98	18.48	19.98	21.48	22.98	25.98		
8.17	8.92	9.67	10.42	11.17	12.29	13.42	14.54	15.67	17.17	18.76	20.17	21.67	23.17	26.17		
8.35	9.11	9.86	10.61	11.36	12.48	13.61	14.73	15.86	17.36	18.86	20.36	21.86	23.36	26.36	1.09	
8.54	9.29	10.04	10.79	11.54	12.67	13.79	14.92	16.04	17.54	19.04	20.54	22.04	23.54	26.55		
8.73	9.48	10.23	10.98	11.73	12.86	13.98	15.11	16.23	17.73	19.23	20.73	22.23	23.73	26.73		
8.92	9.67	10.42	11.17	11.92	13.04	14.17	15.29	16.42	17.92	19.42	20.92	22.42	23.92	26.92		
6.19	6.94	7.69	8.45	9.20	10.32	11.47	12.57	13.70	15.20	16.70	18.20	19.70	21.20	24.20	1.10	
6.57	7.32	8.07	8.82	9.57	10.70	11.82	12.95	14.07	15.57	17.07	18.57	20.07	21.57	24.57		
6.95	7.70	8.45	9.20	9.95	11.07	12.20	13.32	14.45	15.95	17.45	18.95	20.45	21.95	24.95		
7.32	8.07	8.82	9.57	10.32	11.45	12.57	13.70	14.82	16.33	17.82	19.32	20.82	22.33	25.33		
—	—	—	—	6.38	7.50	8.63	9.76	10.88	12.38	13.88	15.38	16.88	18.38	21.39	1.11	
7.70	8.45	9.20	9.95	10.70	11.82	12.95	14.07	15.20	16.70	18.20	19.70	21.20	22.70	25.70		
—	—	5.63	6.38	7.13	8.25	9.38	10.51	11.63	13.13	14.63	16.13	17.63	18.13	22.14		
8.07	8.82	9.57	10.32	11.07	12.20	13.33	14.45	15.58	17.07	18.57	20.08	21.58	23.08	26.08		
4.88	5.63	6.38	7.13	7.88	9.01	10.13	11.26	12.38	13.88	15.38	16.89	18.39	19.89	22.89	1.12	
8.26	9.01	9.76	10.51	11.26	12.39	13.51	14.64	15.76	17.26	18.76	20.26	21.76	23.26	26.26		
8.45	9.20	9.95	10.70	11.45	12.57	13.70	14.82	15.95	17.45	18.95	20.45	21.95	23.45	26.45		
8.64	9.39	10.14	10.89	11.64	12.76	13.89	15.01	16.14	17.64	19.14	20.64	22.14	23.64	26.64		
5.63	6.38	7.14	7.88	8.63	9.76	10.88	12.01	13.13	14.63	16.13	17.64	19.14	20.64	23.64	1.13	
8.82	9.57	10.32	11.07	11.83	12.95	14.07	15.20	16.33	17.83	19.32	20.82	22.33	23.83	26.83		
6.38	7.13	7.88	8.63	9.38	10.51	11.63	12.76	13.88	15.38	16.89	18.39	19.89	21.39	24.39		
7.79	8.54	9.29	10.04	10.79	11.92	13.04	14.17	15.29	16.79	18.29	19.79	21.29	22.79	25.79		
9.20	9.95	10.70	11.45	12.20	13.33	14.45	15.58	16.70	18.20	19.70	21.20	22.70	24.20	27.20	1.14	
6.75	7.51	8.26	9.01	9.76	10.88	12.01	13.14	14.26	15.76	17.26	18.76	20.26	21.76	24.76		
8.16	8.91	9.67	10.42	11.17	12.29	13.42	14.54	15.67	17.17	18.67	20.17	21.67	23.17	26.17		
8.16	8.91	9.67	10.42	11.17	12.29	13.42	14.54	15.67	17.17	18.67	20.17	21.67	23.17	26.17		1.15
8.16	8.91	9.67	10.42	11.17	12.29	13.42	14.54	15.67	17.17	18.67	20.17	21.67	23.17	26.17	1.16	

Teeth in Mesh	F factor
6 or more	1.00
5	.80
4	.60
3	.40
2	.20

NOTE: Multiply the H.P. ratings shown in the Drive Section Tables by Factor "F" and the width correction factors shown below:

belt width	3/8	7/16	1/2	5/8	3/4	7/8	1	1 1/4	1 1/2	1 3/4	2	2 1/2	3
width factor	.28	.35	.42	.57	.71	.86	1.0	1.29	1.56	1.84	2.14	2.72	3.36

If the number of teeth in mesh (TIM) is 5 or less, the exact TIM is indicated by the number in a circle following the center distance.

L
3/8" Pitch

Stock Drive Selection

Martin

speed ratio □	pulley combination				driveN speed and hp capacity						center distance, inches†				
	driveR		driveN		3500 rpm driveR speed		1750 rpm driveR speed		1160 rpm driveR speed		according to belt pitch length (PL), inches and corresponding code number (bold type)				
	code: no. of grooves	pitch diameter in.	code: no. of grooves	pitch diameter in.	driveN speed rpm	hp for 1 inch belt	driveN speed rpm	hp for 1 inch belt	driveN speed rpm	hp for 1 inch belt	PL: 12.375 33 teeth 124 L	PL: 15.00 40 teeth 150 L	PL: 18.75 50 teeth 187 L	PL: 21.00 56 teeth 210 L	PL: 22.50 60 teeth 225 L
1.17	24 L	2.865	28 L	3.342	3000	4.06	1500	2.15	994	1.44	—	—	4.50	5.63	6.38
	18 L	2.149	21 L	2.507	3000	3.15	1500	1.62	994	1.08	—	3.85	5.73	6.85	7.60
	12 L	1.432	14 L	1.671	3000	—	1500	1.09■	994	.72	3.76⑤	5.07⑤	6.95⑤	8.07⑤	8.83⑤
1.18	22 L	2.626	26 L	3.104	2962	3.77	1481	1.62	982	1.32	—	—	4.88	6.00	6.76
	17 L	2.029	20 L	2.387	2975	2.99	1483	1.54	986	1.03	2.72	4.04	5.91	7.04	7.79
1.19	16 L	1.910	19 L	2.263	2947	2.83	1474	1.45	977	.97	2.91	4.22	6.10	7.23	7.98
1.20	40 L	4.775	48 L	5.730	2917	5.87	1458	3.47	967	2.36	—	—	—	—	—
	30 L	3.581	36 L	4.297	2917	4.86	1458	2.66	967	1.79	—	—	—	4.30	5.06
	20 L	2.387	24 L	2.865	2917	3.46	1458	1.80	967	1.20	—	3.37	5.25	6.38	7.13
1.21	14 L	1.671	17 L	2.029	2882	2.49■	1441	1.27	955	.85	3.28	4.60	6.48	7.60	8.35
1.22	36 L	4.297	44 L	5.252	2864	5.52	1432	3.15	949	2.14	—	—	—	—	—
	18 L	2.149	22 L	2.626	2864	3.15	1432	1.62	949	1.08	—	3.75	5.63	6.76	7.51
1.23	26 L	3.104	32 L	3.820	2844	4.35	1422	2.32	943	1.56	—	—	—	5.06	5.81
	17 L	2.029	21 L	2.507	2833	2.99	1417	1.54	939	1.03	2.62	3.94	5.81	6.94	7.69
1.24	21 L	2.507	26 L	3.104	2827	3.62	1413	1.89	937	1.26	—	3.09	4.97	6.10	6.85
1.25	48 L	5.730	60 L	7.162	2800	6.27	1400	4.06	928	2.81	—	—	—	—	—
	32 L	3.820	40 L	4.775	2800	5.10	1400	2.83	928	1.91	—	—	—	—	—
	24 L	2.865	30 L	3.581	2800	4.06	1400	2.15	928	1.44	—	—	4.31	5.43	6.19
	16 L	1.910	20 L	2.387	2800	2.83	1400	1.45	928	.97	2.81	4.13	6.01	7.13	7.88
1.26	19 L	2.268	24 L	2.865	2770	3.31	1385	1.71	918	1.15	—	3.46	5.34	6.47	7.22
1.27	22 L	2.626	28 L	3.342	2750	3.77	1375	1.98	911	1.32	—	—	—	5.81	6.56
1.29	28 L	3.342	36 L	4.297	2722	4.61	1361	2.49	902	1.67	—	—	—	4.48	5.24
	17 L	2.029	22 L	2.626	2705	2.99	1352	1.54	896	1.03	—	3.84	5.72	6.85	7.60
	14 L	1.671	18 L	2.149	2722	2.49■	1361	1.27	902	.85	3.19	4.50	6.38	7.51	8.26
1.30	20 L	2.387	26 L	3.104	2692	3.46	1346	1.80	892	1.20	—	—	5.06	6.19	6.94
1.31	16 L	1.910	21 L	2.507	2666	2.83	1333	1.45	884	.97	2.71	4.03	5.91	5.04	7.79
1.33	36 L	4.297	48 L	5.730	2625	5.52	1313	3.15	870	2.14	—	—	—	—	—
	30 L	3.581	40 L	4.775	2625	4.86	1313	2.66	870	1.79	—	—	—	—	4.66
	24 L	2.865	32 L	3.820	2625	4.06	1313	2.15	870	1.44	—	—	4.10	5.24	5.99
	21 L	2.507	28 L	3.342	2625	3.62	1313	1.89	870	1.26	—	—	4.77	5.90	6.65
	18 L	2.149	24 L	2.865	2625	3.15	1313	1.62	870	1.08	—	3.55	5.44	6.56	7.31
	12 L	1.432	16 L	1.910	2625	—	1313	1.09■	870	.72	3.56⑤	4.88⑤	6.76⑤	7.88⑤	8.63⑤
1.36	44 L	5.252	60 L	7.162	2567	6.12	1283	3.77	851	2.59	—	—	—	—	—
	22 L	2.626	30 L	3.581	2567	3.77	1283	1.98	851	1.32	—	—	4.48	5.61	6.37
	14 L	1.671	19 L	2.268	2579	2.49■	1289	1.27	855	.85	3.09	4.41	6.28	7.41	8.18
1.37	19 L	2.268	26 L	3.104	2558	3.31	1279	1.71	848	1.14	—	3.26	5.15	6.28	7.03
1.38	32 L	3.820	44 L	5.252	2545	5.10	1273	2.83	844	1.91	—	—	—	—	—
	26 L	3.104	36 L	4.297	2528	4.35	1264	2.32	838	1.56	—	—	—	4.66	5.41
	16 L	1.910	22 L	2.626	2545	2.83	1273	1.45	844	.97	2.61	3.93	5.81	6.94	7.69
1.40	20 L	2.387	28 L	3.342	2500	3.46	1250	1.80	829	1.20	—	—	4.86	5.99	6.74

□ Pulley combinations shown are for conventional speed-reduction ratios; same table can be used for speed step-up ratios by making proper correction of driveN speed and belt hp capacity per inch width.

■ Pulley diameter is below recommended minimum; if used reduced belt life must be expected.

† Center distances shown are **theoretical**; manufacturing tolerances of belt length and pulley diameters can affect actual operating drive center distances.



Stock Drive Selection

L
3/8" Pitch

center distance, inches†															
according to belt pitch length (PL), inches and corresponding code number (bold type)															
PL: 24.00 64 teeth 240 L	PL: 25.50 68 teeth 255 L	PL: 27.00 72 teeth 270 L	PL: 28.50 76 teeth 285 L	PL: 30.00 80 teeth 300 L	PL: 32.25 86 teeth 322 L	PL: 34.50 92 teeth 345 L	PL: 36.75 98 teeth 367 L	PL: 39.00 104 teeth 390 L	PL: 42.00 112 teeth 420 L	PL: 45.00 120 teeth 450 L	PL: 48.00 128 teeth 480 L	PL: 51.00 136 teeth 510 L	PL: 54.00 144 teeth 540 L	PL: 60.00 160 teeth 600 L	speed ratio □
7.13	7.88	8.63	9.38	10.13	11.26	12.38	13.51	14.64	16.13	17.64	19.13	20.64	22.14	25.14	1.17
8.35	9.10	9.85	10.60	11.35	12.48	13.60	14.73	15.85	17.36	18.86	20.36	21.86	23.36	26.36	
9.57 ^⑤	10.32 ^⑤	11.07 ^⑤	11.83 ^⑤	12.58 ^⑤	13.70 ^⑤	14.83 ^⑤	15.95 ^⑤	17.08 ^⑤	18.57 ^⑤	20.08 ^⑤	21.58 ^⑤	23.08 ^⑤	24.58 ^⑤	27.58	
7.51	8.26	9.01	9.76	10.51	11.63	12.76	13.88	15.01	16.51	18.01	19.51	21.01	22.51	25.51	1.18
8.54	9.29	10.04	10.79	11.54	12.67	13.79	14.92	16.04	17.54	19.04	20.56	22.04	23.59	26.54	
8.73	9.48	10.23	10.98	11.73	12.86	13.98	15.10	16.23	17.73	19.23	20.73	22.23	23.73	26.73	1.19
—	—	—	5.99	6.74	7.87	9.00	10.12	11.25	12.75	14.25	15.75	17.25	18.76	21.76	1.20
5.81	6.56	7.31	8.06	8.81	9.94	11.07	12.19	13.32	14.82	16.32	17.82	19.32	20.82	23.82	
7.88	8.63	9.38	10.13	10.88	12.01	13.13	14.26	15.38	16.89	18.39	19.89	21.39	22.89	25.89	
9.10	9.85	10.60	11.35	12.11	13.23	14.36	15.48	16.61	18.11	19.61	21.11	22.61	24.11	27.11	1.21
—	5.23	5.99	6.74	7.49	8.62	9.75	10.87	12.00	13.50	15.00	16.50	18.01	19.51	22.51	1.22
8.26	9.01	9.76	10.51	11.26	12.39	13.51	14.64	15.76	17.26	18.76	20.26	21.76	23.26	26.26	
6.56	7.31	8.06	8.81	9.57	10.69	11.82	12.94	14.11	15.57	17.07	18.57	20.07	21.57	24.57	1.23
8.44	8.63	9.95	10.70	11.45	12.57	13.70	14.82	15.95	17.45	18.95	20.45	21.95	23.45	26.45	
7.60	8.35	9.10	9.85	10.60	11.73	12.85	13.98	15.10	16.60	18.10	19.60	21.11	22.60	25.61	1.24
—	—	—	—	—	—	7.45	8.58	9.36	10.86	12.36	13.87	15.37	16.87	19.87	1.25
5.29	5.99	6.74	7.49	8.25	9.37	10.50	11.62	12.75	14.25	15.75	17.26	18.76	20.26	23.26	
6.94	7.69	8.44	9.19	9.94	11.07	12.19	13.32	14.44	15.94	17.45	18.95	20.45	21.95	24.95	
8.63	9.38	10.13	10.88	11.64	12.76	13.89	15.01	16.13	17.64	19.14	20.64	22.14	23.64	26.64	
7.97	8.72	9.47	10.23	10.98	12.10	13.23	14.35	15.48	16.98	18.48	19.98	21.48	22.98	25.98	1.26
7.31	8.06	8.81	9.57	10.32	11.44	12.57	13.69	14.82	16.32	17.82	19.32	20.82	22.32	25.32	1.27
5.99	6.74	7.49	8.25	9.00	10.12	11.25	12.38	13.50	15.00	16.50	18.01	19.51	21.01	24.01	1.29
8.35	9.10	9.85	10.60	11.35	12.48	13.60	14.73	15.85	17.36	18.86	20.36	21.86	23.36	26.36	
9.01	9.76	10.51	11.26	12.01	13.14	14.26	15.39	16.51	18.01	19.51	21.01	22.51	24.01	27.01	
7.69	8.44	9.19	9.94	10.69	11.82	12.94	14.11	15.20	16.70	18.20	19.70	21.20	22.70	25.70	1.30
8.54	9.29	10.04	10.79	11.54	12.66	13.79	14.92	16.04	17.54	19.04	20.54	22.04	23.54	26.54	1.31
—	—	5.58	6.34	7.10	8.23	9.36	10.49	11.61	13.12	14.61	16.12	17.62	19.12	22.12	1.33
5.41	6.17	6.92	7.67	8.43	9.55	10.68	11.81	12.93	14.44	15.94	17.44	18.94	20.44	23.44	
6.74	7.49	8.25	9.00	9.75	10.88	12.00	13.13	14.25	15.75	17.26	18.76	20.26	21.76	24.76	
7.40	8.16	8.91	9.66	10.41	11.53	12.66	13.79	14.91	16.41	17.91	19.42	20.91	22.42	25.42	
8.06	8.82	9.57	10.32	11.07	12.19	13.32	14.45	15.57	17.07	18.57	20.07	21.57	23.07	26.07	
9.38 ^⑤	10.13 ^⑤	10.88 ^⑤	11.64 ^⑤	12.39 ^⑤	13.51 ^⑤	14.64 ^⑤	15.76 ^⑤	16.89 ^⑤	18.39 ^⑤	19.89 ^⑤	21.39 ^⑤	22.89 ^⑤	24.39 ^⑤	27.39 ^⑤	
—	—	—	—	—	—	7.45	8.58	9.79	11.22	12.72	14.23	15.73	17.23	20.24	1.36
7.12	7.87	8.62	9.37	10.13	11.25	12.38	13.50	14.63	16.13	17.63	19.13	20.63	22.13	25.13	
8.91	9.66	10.41	11.16	11.92	13.04	14.17	15.29	16.42	17.92	19.42	20.92	22.42	23.92	26.92	
7.78	8.53	9.28	10.03	10.79	11.92	13.04	14.16	15.29	16.79	18.29	19.79	21.29	22.79	25.79	1.37
—	5.58	6.34	7.10	7.85	8.98	10.11	11.24	12.36	13.87	15.37	16.87	18.37	19.89	22.88	1.38
6.17	6.92	7.67	8.43	9.18	10.31	11.43	12.56	13.68	15.19	16.69	18.19	19.69	21.19	24.19	
8.44	9.19	9.94	10.69	11.44	12.57	13.70	14.82	15.95	17.45	18.95	20.45	21.95	23.45	26.45	
7.49	8.25	9.00	9.75	10.50	11.63	12.75	13.88	15.00	16.51	18.01	19.51	21.01	22.51	25.51	1.40

Teeth in Mesh	F factor
6 or more	1.00
5	.80
4	.60
3	.40
2	.20

NOTE: Multiply the H.P. ratings shown in the Drive Section Tables by Factor "F" and the width correction factors shown below:

belt width	3/8	7/16	1/2	5/8	3/4	7/8	1	1 1/4	1 1/2	1 3/4	2	2 1/2	3
width factor	.28	.35	.42	.57	.71	.86	1.0	1.29	1.56	1.84	2.14	2.72	3.36

If the number of teeth in mesh (TIM) is 5 or less, the exact TIM is indicated by the number in a circle following the center distance.

L
3/8" Pitch

**Stock Drive
Selection**

Martin

speed ratio □	pulley combination				driveN speed and hp capacity						center distance, inches†				
	driveR		driveN		3500 rpm driveR speed		1750 rpm driveR speed		1160 rpm driveR speed		according to belt pitch length (PL), inches and corresponding code number (bold type)				
	code: no. of grooves	pitch diameter in.	code: no. of grooves	pitch diameter in.	driveN speed rpm	hp for 1 inch belt	driveN speed rpm	hp for 1 inch belt	driveN speed rpm	hp for 1 inch belt	PL: 12.375 33 teeth 124 L	PL: 15.00 40 teeth 150 L	PL: 18.75 50 teeth 187 L	PL: 21.00 56 teeth 210 L	PL: 22.50 60 teeth 225 L
1.41	17 L	2.029	24 L	2.865	2479	2.99	1239	1.54	822	1.03	—	3.64	5.52	6.65	7.40
1.42	12 L	1.432	17 L	2.029	2470	—	1235	1.09■	819	.72	3.46 ^⑤	4.78 ^⑤	6.66 ^⑤	7.79 ^⑤	8.54 ^⑤
1.43	28 L	3.342	40 L	4.775	2450	4.61	1225	2.49	812	1.67	—	—	—	—	4.83
	21 L	2.507	30 L	3.581	2450	3.62	1225	1.89	812	1.26	—	—	4.66	5.70	6.46
	14 L	1.671	20 L	2.387	2450	2.49■	1225	1.27	812	.85	2.99	4.31	6.19	7.32	8.07
1.44	18 L	2.149	26 L	3.104	2423	3.15	1212	1.62	803	1.08	—	—	5.24	6.37	7.12
1.45	22 L	2.626	32 L	3.820	2406	3.77	1203	1.98	788	1.32	—	—	4.28	5.41	6.17
1.47	30 L	3.581	44 L	5.252	2386	4.86	1193	2.66	791	1.79	.—	—	—	—	—
	19 L	2.268	28 L	3.342	2375	3.31	1187	1.71	787	1.14	—	3.05	4.95	6.08	6.83
1.50	48 L	5.730	72 L	8.594	2333	6.27	1167	4.06	773	2.81	—	—	—	—	—
	40 L	4.775	60 L	7.162	2333	5.87	1167	3.47	773	2.36	—	—	—	—	—
	32 L	3.820	48 L	5.730	2333	5.10	1167	2.83	773	1.91	—	—	—	—	—
	24 L	2.865	36 L	4.297	2333	4.06	1167	2.15	773	1.44	—	—	—	4.83	5.59
	20 L	2.387	30 L	3.581	2333	3.46	1167	1.80	773	1.20	—	—	4.66	5.79	6.54
	16 L	1.910	24 L	2.865	2333	2.83	1167	1.45	773	.97	—	3.73	5.61	6.74	7.50
	14 L	1.671	21 L	2.507	2333	2.49■	1167	1.27	773	.85	2.88	4.21	6.09	7.32	7.97
12 L	1.432	18 L	2.149	2333	—	1167	1.09■	773	.72	3.36 ^⑤	4.68 ^⑤	6.56 ^⑤	7.69 ^⑤	8.44 ^⑤	
1.52	21 L	2.507	32 L	3.820	2297	3.62	1148	1.89	761	1.26	—	—	4.36	5.50	6.26
1.53	17 L	2.029	26 L	3.104	2288	2.99	1144	1.54	758	1.03	—	3.43	5.32	6.46	7.11
1.54	26 L	3.104	40 L	4.775	2275	4.35	1138	2.32	754	1.56	—	—	—	4.24	5.00
1.56	18 L	2.149	28 L	3.342	2250	3.15	1125	1.62	746	1.08	—	—	5.04	6.07	6.92
1.57	28 L	3.342	44 L	5.252	2227	4.61	1114	2.49	738	1.67	—	—	—	—	—
	14 L	1.671	22 L	2.626	2227	2.49■	1114	1.27	738	.85	2.78	4.11	5.99	7.12	7.87
1.58	19 L	2.268	30 L	3.581	2217	3.31	1108	1.71	735	1.14	—	—	4.74	5.88	6.63
	12 L	1.432	19 L	2.268	2207	—	1104	1.09■	731	.72	3.26 ^⑤	4.58 ^⑤	6.47 ^⑤	7.59 ^⑤	8.34 ^⑤
1.60	30 L	3.581	48 L	5.730	2188	4.86	1094	2.66	725	1.79	—	—	—	—	—
	20 L	2.387	32 L	3.820	2188	3.46	1094	1.80	725	1.20	—	—	4.45	5.59	6.34
1.63	16 L	1.910	26 L	3.104	2154	2.83	1077	1.45	714	.97	—	3.52	5.41	6.55	7.30
1.64	44 L	5.252	72 L	8.594	2139	6.12	1069	3.77	709	2.59	—	—	—	—	—
	22 L	2.626	36 L	4.297	2139	3.77	1069	1.98	709	1.32	—	—	3.85	5.00	5.76
1.65	17 L	2.029	28 L	3.342	2125	2.99	1062	1.54	704	1.03	—	3.22	5.12	6.26	7.01
1.66	36 L	4.297	60 L	7.162	2100	5.52	1050	3.15	696	2.14	—	—	—	—	—
1.67	24 L	2.865	40 L	4.775	2100	4.06	1050	2.15	696	1.44	—	—	—	4.40	5.17
	18 L	2.149	30 L	3.581	2100	3.15	1050	1.62	696	1.08	—	2.92	4.83	5.97	6.72
	12 L	1.432	20 L	2.387	2100	—	1050	1.09■	696	.72	3.16 ^⑤	4.48 ^⑤	6.37 ^⑤	7.50 ^⑤	8.25 ^⑤
1.68	19 L	2.268	32 L	3.820	2078	3.31	1039	1.71	689	1.14	—	—	4.53	5.67	6.43
1.69	26 L	3.104	44 L	5.252	2068	4.35	1034	2.32	685	1.56	—	—	—	—	4.57
1.71	28 L	3.342	48 L	5.730	2042	4.61	1021	2.49	677	1.67	—	—	—	—	—
	21 L	2.507	36 L	4.297	2042	3.62	1021	1.89	677	1.26	—	—	3.93	5.08	5.85
	14 L	1.671	24 L	2.865	2042	2.49■	1021	1.27	677	.85	—	3.90	5.79	6.92	7.67

□ Pulley combinations shown are for conventional speed-reduction ratios; same table can be used for speed step-up ratios by making proper correction of driveN speed and belt hp capacity per inch width.

■ Pulley diameter is below recommended minimum; if used reduced belt life must be expected.

† Center distances shown are **theoretical**; manufacturing tolerances of belt length and pulley diameters can affect actual operating drive center distances.



Stock Drive Selection

L
3/8" Pitch

center distance, inches†															speed ratio □
according to belt pitch length (PL), inches and corresponding code number (bold type)															
PL: 24.00 64 teeth 240 L	PL: 25.50 68 teeth 255 L	PL: 27.00 72 teeth 270 L	PL: 28.50 76 teeth 285 L	PL: 30.00 80 teeth 300 L	PL: 32.25 86 teeth 322 L	PL: 34.50 92 teeth 345 L	PL: 36.75 98 teeth 367 L	PL: 39.00 104 teeth 390 L	PL: 42.00 112 teeth 420 L	PL: 45.00 120 teeth 450 L	PL: 48.00 128 teeth 480 L	PL: 51.00 136 teeth 510 L	PL: 54.00 144 teeth 540 L	PL: 60.00 160 teeth 600 L	
8.16	8.91	9.66	10.41	11.16	12.29	13.41	14.54	15.66	17.16	18.67	20.17	21.67	23.17	26.17	1.41
9.29 ⁵	10.04 ⁵	10.79 ⁵	11.54 ⁵	12.29 ⁵	13.42 ⁵	14.54	15.67	16.79	18.29	19.79	21.29	22.79	24.29	27.29	1.42
5.59	6.34	7.10	7.85	8.60	9.73	10.86	11.99	13.12	14.62	16.12	17.62	19.12	20.63	23.63	1.43
7.21	7.96	8.71	9.46	10.22	11.34	12.47	13.59	14.72	16.03	17.72	19.22	20.72	22.23	25.23	
8.82	9.57	10.32	11.07	11.82	12.95	14.11	15.20	16.32	17.82	19.32	20.82	22.32	23.82	26.82	
7.87	8.62	9.37	10.13	10.88	12.00	13.13	14.25	15.38	16.88	18.38	19.88	21.38	22.88	25.88	1.44
6.92	7.67	8.43	9.18	9.93	11.06	12.18	13.31	14.44	15.94	17.44	18.94	20.44	21.94	24.94	1.45
5.00	5.76	6.52	7.24	8.03	9.16	10.29	11.42	12.24	14.05	15.55	17.05	18.56	20.07	23.06	1.47
7.58	8.34	9.09	9.84	10.59	11.72	12.84	13.97	15.10	16.60	18.10	19.60	21.10	22.60	25.60	
—	—	—	—	—	—	—	—	8.13	9.65	11.17	12.68	14.19	15.69	18.70	1.50
—	—	—	—	—	6.65	7.79	8.93	10.06	11.57	13.08	14.59	16.09	17.60	20.60	
—	5.17	5.93	6.69	7.45	8.58	9.71	10.84	11.97	13.48	14.98	16.48	17.99	19.49	22.49	
6.34	7.10	7.85	8.60	9.36	10.49	11.61	12.74	13.87	15.37	16.87	18.37	19.87	21.38	24.38	
7.30	8.05	8.80	9.55	10.31	11.43	12.56	13.69	14.81	16.31	17.81	19.32	20.82	22.32	25.32	
8.25	9.00	9.75	10.50	11.24	12.38	13.50	14.63	15.76	17.26	18.76	20.26	21.76	23.26	26.26	
8.72	9.47	10.22	10.97	11.72	12.85	13.97	15.10	16.23	17.73	19.23	20.73	22.23	23.73	26.73	
9.19 ⁵	9.94 ⁵	10.69 ⁵	11.44 ⁵	12.20 ⁵	13.32 ⁵	14.45 ⁵	15.57 ⁵	16.70 ⁵	18.20 ⁵	19.70 ⁵	21.20 ⁵	22.70 ⁵	24.20 ⁵	27.20 ⁵	
7.01	7.76	8.52	9.27	10.02	11.15	12.28	13.40	14.53	16.03	17.53	19.03	20.53	22.03	25.04	1.52
7.96	8.71	9.46	10.22	10.97	12.09	13.22	14.35	15.47	16.97	18.47	19.98	21.48	22.98	25.98	1.53
5.76	6.52	7.27	8.03	8.78	9.91	11.04	12.17	13.30	14.80	16.30	17.80	19.31	20.81	23.81	1.54
7.67	8.43	9.18	9.93	10.68	11.81	12.94	14.06	15.19	16.69	18.19	19.69	21.19	22.69	25.69	1.56
5.17	5.93	6.69	7.45	8.20	9.34	10.47	11.60	12.72	14.23	15.73	17.23	18.74	20.24	23.24	1.57
8.62	9.37	10.13	10.88	11.63	12.75	13.88	15.00	16.13	17.63	19.13	20.63	22.13	23.63	26.63	
7.39	8.14	8.89	9.64	10.40	11.52	12.65	13.78	14.90	16.41	17.91	19.41	20.91	22.41	25.41	1.58
9.10 ⁵	9.85 ⁵	10.60 ⁵	11.35 ⁵	12.10 ⁵	13.23 ⁵	14.35 ⁵	15.48 ⁵	16.60 ⁵	18.10 ⁵	19.60 ⁵	21.10 ⁵	22.60 ⁵	24.10 ⁵	27.10 ⁵	
—	5.34	6.10	6.86	7.62	8.75	9.89	11.02	12.15	13.66	15.16	16.66	18.17	19.67	22.67	1.60
7.10	7.85	8.60	9.36	10.11	11.24	12.37	13.49	14.62	16.12	17.62	19.12	20.63	22.13	25.13	
8.05	8.80	9.55	10.31	11.06	12.19	13.31	14.44	15.56	17.06	18.56	20.07	21.57	23.07	26.07	1.63
—	—	—	—	—	—	—	7.31	8.47	9.99	11.51	13.03	14.54	16.05	19.06	
6.52	7.27	8.03	8.78	9.54	10.66	11.79	12.92	14.05	15.55	17.05	18.56	20.06	21.56	24.56	1.64
7.76	8.52	9.27	10.02	10.77	11.90	13.03	14.15	15.28	16.78	18.28	19.78	21.28	22.74	25.79	1.65
—	—	—	—	—	6.99	8.13	9.27	10.41	11.92	13.43	14.94	16.45	17.95	20.96	1.66
5.93	6.69	7.45	8.20	8.96	10.09	11.22	12.35	13.48	14.98	16.48	17.99	19.49	20.99	23.99	1.67
7.48	8.23	8.98	9.73	10.49	11.61	12.74	13.87	14.99	16.50	18.00	19.50	21.00	22.50	25.50	
9.00 ⁵	9.75 ⁵	10.50 ⁵	11.25 ⁵	12.00 ⁵	13.13 ⁵	14.25 ⁵	15.38 ⁵	16.51 ⁵	18.01 ⁵	19.51 ⁵	21.01 ⁵	22.51 ⁵	24.01 ⁵	27.01 ⁵	
7.19	7.94	8.69	9.45	10.20	11.33	12.46	13.58	14.71	16.22	17.71	19.22	20.72	22.22	25.22	1.68
5.33	6.10	6.86	7.62	8.38	9.51	10.64	11.77	12.99	14.41	15.91	17.42	18.92	20.42	23.43	1.69
4.73	5.50	6.27	7.03	7.79	8.93	10.06	11.20	12.33	13.83	15.34	16.84	18.35	19.85	22.86	1.71
6.60	7.36	8.12	8.87	9.62	10.75	11.88	13.01	14.14	15.64	17.14	18.65	20.15	21.65	24.65	
8.43	9.18	9.93	10.68	11.43	12.56	13.69	14.81	15.94	17.44	18.94	20.44	21.94	23.44	26.44	

Teeth in Mesh	F factor
6 or more	1.00
5	.80
4	.60
3	.40
2	.20

NOTE: Multiply the H.P. ratings shown in the Drive Section Tables by Factor "F" and the width correction factors shown below:

belt width	3/8	1/2	5/8	3/4	7/8	1	1 1/4	1 1/2	1 3/4	2	2 1/2	3
width factor	.28	.35	.42	.57	.71	.86	1.0	1.29	1.56	1.84	2.14	3.36

If the number of teeth in mesh (TIM) is 5 or less, the exact TIM is indicated by the number in a circle following the center distance.

PULLEYS

L

3/8" Pitch

Stock Drive Selection

Martin

speed ratio □	pulley combination				driveN speed and hp capacity						center distance, inches †				
	driveR		driveN		3500 rpm driveR speed		1750 rpm driveR speed		1160 rpm driveR speed		according to belt pitch length (PL), inches and corresponding code number (bold type)				
	code: no. of grooves	pitch diameter in.	code: no. of grooves	pitch diameter in.	driveN speed rpm	hp for 1 inch belt	driveN speed rpm	hp for 1 inch belt	driveN speed rpm	hp for 1 inch belt	PL: 12.375 33 teeth 124 L	PL: 15.00 40 teeth 150 L	PL: 18.75 50 teeth 187 L	PL: 21.00 56 teeth 210 L	PL: 22.50 60 teeth 225 L
1.75	48 L	5.730	84 L	10.027	2000	6.27	1000	4.06	663	2.81	—	—	—	—	—
	16 L	1.910	28 L	3.342	2000	2.83	1000	1.45	663	.97	—	—	5.21	6.34	7.10
	12 L	1.432	21 L	2.507	2000	—	1000	1.09 ■	663	.72	3.05 ^⑤	4.38 ^⑤	6.27 ^⑤	7.40 ^⑤	8.15 ^⑤
1.76	17 L	2.029	30 L	3.581	1983	2.99	992	1.54	657	1.03	—	—	4.92	6.05	6.81
1.78	18 L	2.149	32 L	3.820	1969	3.15	985	1.62	652	1.08	—	—	4.62	5.76	6.52
1.80	40 L	4.775	72 L	8.594	1944	5.87	972	3.47	644	2.36	—	—	—	—	—
	20 L	2.387	36 L	4.297	1944	3.46	972	1.80	644	1.20	—	—	4.02	5.17	5.93
1.82	22 L	2.626	40 L	4.775	1925	3.77	963	1.98	638	1.32	—	—	—	4.57	5.34
1.83	24 L	2.865	44 L	5.252	1909	4.06	955	2.15	633	1.44	—	—	—	—	4.73
	12 L	1.432	22 L	2.626	1909	—	955	1.09 ■	633	.72	2.95 ^⑤	4.28 ^⑤	6.17 ^⑤	7.30 ^⑤	8.05 ^⑤
1.85	26 L	3.104	48 L	5.730	1896	4.35	948	2.32	628	1.56	—	—	—	—	—
1.86	14 L	1.671	26 L	3.104	1885	2.49 ■	942	1.27	625	.85	—	3.69	5.59	6.72	7.48
1.88	32 L	3.820	60 L	7.162	1867	5.10	933	2.83	619	1.91	—	—	—	—	—
	17 L	2.029	32 L	3.820	1859	2.99	930	1.54	616	1.03	—	—	4.70	5.85	6.60
	16 L	1.910	30 L	3.581	1867	2.83	933	1.45	619	.97	—	—	5.00	6.14	6.90
1.89	19 L	2.268	36 L	4.297	1847	3.31	924	1.71	612	1.14	—	—	4.10	5.25	6.02
1.90	21 L	2.507	40 L	4.775	1838	3.62	919	1.89	609	1.26	—	—	—	4.65	5.42
1.91	44 L	5.252	84 L	10.027	1833	6.12	917	3.77	607	2.59	—	—	—	—	—
2.00	36 L	4.297	72 L	8.594	1750	5.52	875	3.15	580	2.14	—	—	—	—	—
	30 L	3.581	60 L	7.162	1750	4.86	875	2.66	580	1.79	—	—	—	—	—
	24 L	2.865	48 L	5.730	1750	4.06	875	2.15	580	1.44	—	—	—	—	—
	22 L	2.626	44 L	5.252	1750	3.77	875	1.98	580	1.32	—	—	—	—	4.89
	20 L	2.387	40 L	4.775	1750	3.46	875	1.80	580	1.20	—	—	—	4.73	5.50
	18 L	2.149	36 L	4.297	1750	3.15	875	1.62	580	1.08	—	—	4.18	5.34	6.10
	16 L	1.910	32 L	3.820	1750	2.83	875	1.45	580	.97	—	—	4.79	5.93	6.69
2.09	14 L	1.671	28 L	3.342	1750	2.49 ■	875	1.27	580	.85	—	3.47	5.38	6.52	7.27
	12 L	1.432	24 L	2.865	1750	—	875	1.09 ■	580	.72	2.72 ^⑤	4.07 ^⑤	5.97 ^⑤	7.10 ^⑤	7.85 ^⑤
	21 L	2.507	44 L	5.252	1670	3.62	835	1.89	554	1.26	—	—	—	—	4.97
2.10	40 L	4.775	84 L	10.027	1667	5.87	833	3.47	552	2.36	—	—	—	—	—
2.11	19 L	2.268	40 L	4.775	1663	3.31	831	1.71	551	1.14	—	—	—	5.36	5.58
2.12	17 L	2.029	36 L	4.297	1653	2.99	826	1.54	548	1.03	—	—	4.26	5.42	6.18
2.14	28 L	3.342	60 L	7.162	1633	4.61	817	2.49	541	1.67	—	—	—	—	—
	14 L	1.671	30 L	3.581	1633	2.49 ■	817	1.27	541	.85	—	3.24 ^⑤	5.17	6.31	7.07
2.17	12 L	1.432	26 L	3.104	1615	—	808	1.09 ■	535	.72	—	3.85 ^⑤	5.76 ^⑤	6.90 ^⑤	7.65 ^⑤
2.18	22 L	2.626	48 L	5.730	1604	3.77	802	1.98	532	1.32	—	—	—	—	—

□ Pulley combinations shown are for conventional speed-reduction ratios; same table can be used for speed step-up ratios by making proper correction of driveN speed and belt hp capacity per inch width.

■ Pulley diameter is below recommended minimum; if used reduced belt life must be expected.

† Center distances shown are **theoretical**; manufacturing tolerances of belt length and pulley diameters can affect actual operating drive center distances.



Stock Drive Selection

L
3/8" Pitch

center distance, inches†															
according to belt pitch length (PL), inches and corresponding code number (bold type)															
PL: 24.00 64 teeth 240 L	PL: 25.50 68 teeth 255 L	PL: 27.00 72 teeth 270 L	PL: 28.50 76 teeth 285 L	PL: 30.00 80 teeth 300 L	PL: 32.25 86 teeth 322 L	PL: 34.50 92 teeth 345 L	PL: 36.75 98 teeth 367 L	PL: 39.00 104 teeth 390 L	PL: 42.00 112 teeth 420 L	PL: 45.00 120 teeth 450 L	PL: 48.00 128 teeth 480 L	PL: 51.00 136 teeth 510 L	PL: 54.00 144 teeth 540 L	PL: 60.00 160 teeth 600 L	speed ratio □
—	—	—	—	—	—	—	—	—	8.35	9.90	11.43	12.96	14.47	17.50	1.75
7.85	8.61	9.36	10.11	10.86	11.99	13.12	14.24	15.37	16.87	18.37	19.88	21.38	22.88	25.88	
8.90 ^⑤	9.65 ^⑤	10.40 ^⑤	11.16 ^⑤	11.91 ^⑤	13.03 ^⑤	14.07 ^⑤	15.29 ^⑤	16.41 ^⑤	17.91 ^⑤	19.41 ^⑤	20.91 ^⑤	22.41 ^⑤	23.91 ^⑤	26.91 ^⑤	
7.56	8.32	9.07	9.82	10.58	11.70	12.83	13.96	15.09	16.59	18.09	19.59	21.09	22.59	25.60	1.76
7.27	8.03	8.78	9.53	10.29	11.42	12.55	13.67	14.80	16.30	17.80	19.31	20.81	22.31	25.31	1.78
—	—	—	—	—	—	—	7.64	8.80	10.33	11.85	13.37	14.89	16.40	19.42	
6.69	7.45	8.20	8.96	9.71	10.84	11.97	13.10	14.23	15.73	17.24	18.74	20.24	21.74	24.74	1.80
6.10	6.86	7.62	8.38	9.13	10.27	11.40	12.53	13.66	15.16	16.66	18.17	19.67	21.17	24.18	1.82
5.50	6.27	7.03	7.79	8.55	9.69	10.82	11.95	13.08	14.59	16.09	17.60	19.10	20.60	23.61	1.83
8.80 ^⑤	9.56 ^⑤	10.31 ^⑤	11.06 ^⑤	11.81 ^⑤	12.94 ^⑤	14.06 ^⑤	15.19 ^⑤	16.32 ^⑤	17.82 ^⑤	19.32 ^⑤	20.82 ^⑤	22.32 ^⑤	23.82 ^⑤	26.82 ^⑤	
4.89	5.67	6.43	7.20	7.96	9.10	10.24	11.37	12.50	14.01	15.52	17.02	18.53	20.03	23.04	1.85
8.23	8.98	9.73	10.49	11.24	12.37	13.49	14.62	15.75	17.25	18.75	20.25	21.75	23.25	26.25	1.86
—	—	—	—	6.15	7.32	8.47	9.61	10.75	12.27	13.78	15.29	16.80	18.31	21.32	
7.36	8.12	8.87	9.62	10.38	11.51	12.64	13.76	14.89	16.39	17.90	19.40	20.90	22.40	25.40	
7.65	8.41	9.16	9.91	10.67	11.80	12.92	14.05	15.18	16.68	18.18	19.68	22.18	22.68	25.69	
6.78	7.53	8.29	9.05	9.80	10.93	12.06	13.19	14.32	15.82	17.33	18.83	20.33	21.83	24.84	1.89
6.19	6.95	7.71	8.46	9.22	10.35	11.49	12.62	13.74	15.25	16.75	18.26	19.76	21.26	24.27	1.90
—	—	—	—	—	—	—	—	—	8.68	10.23	11.76	13.29	14.82	17.85	1.91
—	—	—	—	—	—	6.79	7.96	9.13	10.67	12.19	13.72	15.23	16.75	19.77	
—	—	—	—	6.31	7.48	8.63	9.78	10.92	12.44	13.96	15.47	16.98	18.49	21.50	
5.05	5.83	6.60	7.37	8.13	9.27	10.41	11.55	12.68	14.19	15.70	17.20	18.71	20.21	23.22	
5.67	6.44	7.20	7.96	8.72	9.86	10.99	12.13	13.26	14.77	16.27	17.78	19.28	20.78	23.79	
6.27	7.03	7.79	8.55	9.31	10.44	11.57	12.70	13.83	15.34	16.84	18.35	19.85	21.35	24.36	
6.86	7.62	8.38	9.13	9.89	11.02	12.15	13.28	14.41	15.91	17.42	18.92	20.42	21.92	24.93	
7.45	8.20	8.96	9.71	10.47	11.60	12.73	13.85	14.98	16.48	17.99	19.49	20.99	22.49	25.50	
8.03	8.78	9.54	10.29	11.04	12.17	13.30	14.43	15.55	17.05	18.56	20.06	21.56	23.06	26.06	
8.61 ^⑤	9.36 ^⑤	10.11 ^⑤	10.86 ^⑤	11.62 ^⑤	12.74 ^⑤	13.87 ^⑤	15.00 ^⑤	16.12 ^⑤	17.62 ^⑤	19.13 ^⑤	20.63 ^⑤	22.13 ^⑤	23.62 ^⑤	26.63 ^⑤	
5.75	6.52	7.28	8.05	8.81	9.95	11.08	12.21	13.35	14.85	16.36	17.86	19.37	20.87	23.88	2.09
—	—	—	—	—	—	—	—	—	9.00	10.55	12.10	13.63	15.16	18.19	2.10
6.35	7.12	7.88	8.64	9.40	10.53	11.66	12.79	13.92	15.43	16.93	18.44	19.94	21.44	24.45	2.11
6.95	7.71	8.46	9.22	9.98	11.11	12.24	13.37	14.50	16.00	17.51	19.01	20.51	22.01	25.02	2.12
—	—	—	5.68	6.47	7.64	8.80	9.95	11.09	12.61	14.13	15.64	17.15	18.66	21.68	2.14
7.83	8.58	9.34	10.09	10.85	11.97	13.10	14.23	15.36	16.86	18.36	19.86	21.37	22.87	25.87	
8.41 ^⑤	9.16 ^⑤	9.91 ^⑤	10.67 ^⑤	11.42 ^⑤	12.55 ^⑤	13.67 ^⑤	14.80 ^⑤	15.93 ^⑤	17.43 ^⑤	18.93 ^⑤	20.43 ^⑤	21.94 ^⑤	23.44 ^⑤	26.44 ^⑤	2.17
5.21	5.99	6.77	7.54	8.30	9.44	10.58	11.72	12.85	14.36	15.87	17.38	18.89	20.39	23.40	2.18

Teeth in Mesh	F factor
6 or more	1.00
5	.80
4	.60
3	.40
2	.20

NOTE: Multiply the H.P. ratings shown in the Drive Section Tables by Factor "F" and the width correction factors shown below:

belt width	3/8	7/16	1/2	5/8	3/4	7/8	1	1 1/4	1 1/2	1 3/4	2	2 1/2	3
width factor	.28	.35	.42	.57	.71	.86	1.0	1.29	1.56	1.84	2.14	2.72	3.36

If the number of teeth in mesh (TIM) is 5 or less, the exact TIM is indicated by the number in a circle following the center distance.

L
3/8" Pitch

Stock Drive Selection

Martin

speed ratio □	pulley combination				driveN speed and hp capacity						center distance, inches †				
	driveR		driveN		3500 rpm driveR speed		1750 rpm driveR speed		1160 rpm driveR speed		according to belt pitch length (PL), inches and corresponding code number (bold type)				
	code: no. of grooves	pitch diameter in.	code: no. of grooves	pitch diameter in.	driveN speed rpm	hp for 1 inch belt	driveN speed rpm	hp for 1 inch belt	driveN speed rpm	hp for 1 inch belt	PL: 12.375 33 teeth 124 L	PL: 15.00 40 teeth 150 L	PL: 18.75 50 teeth 187 L	PL: 21.00 56 teeth 210 L	PL: 22.50 60 teeth 225 L
2.20	20 L	2.387	44 L	5.252	1590	3.46	795	1.80	527	1.20	—	—	—	4.26	5.05
2.22	18 L	2.149	40 L	4.775	1575	3.15	788	1.62	522	1.08	—	—	—	4.89	5.67
2.25	32 L	3.820	72 L	8.594	1556	5.10	778	2.83	516	1.91	—	—	—	—	—
	16 L	1.910	36 L	4.297	1556	2.83	778	1.45	516	.97	—	—	4.34	5.50	6.27
2.29	21 L	2.507	48 L	5.730	1531	3.62	766	1.89	507	1.26	—	—	—	—	4.49
	14 L	1.671	32 L	3.820	1531	2.49 ■	766	1.27	507	.85	—	—	4.95 ^⑤	6.10	6.86
2.31	26 L	3.104	60 L	7.162	1517	4.35	758	2.32	503	1.56	—	—	—	—	—
2.32	19 L	2.268	44 L	5.252	1511	3.31	756	1.71	501	1.14	—	—	—	4.34	5.13
2.33	36 L	4.297	84 L	10.027	1500	5.52	750	3.15	497	2.14	—	—	—	—	—
	12 L	1.432	28 L	3.342	1500	—	750	1.09 ■	497	.72	—	3.63 ^④	5.55 ^⑤	6.69 ^⑤	7.45 ^⑤
2.40	30 L	3.581	72 L	8.594	1458	4.86	729	2.66	483	1.79	—	—	—	—	—
	20 L	2.387	48 L	5.730	1458	3.46	729	1.80	483	1.20	—	—	—	—	4.57
2.44	18 L	2.149	44 L	5.252	1432	3.15	716	1.62	475	1.08	—	—	—	4.42	5.21
2.50	24 L	2.865	60 L	7.162	1400	4.06	700	2.15	464	1.44	—	—	—	—	—
	16 L	1.910	40 L	4.775	1400	2.83	700	1.45	464	.97	—	—	—	5.05	5.83
	12 L	1.432	30 L	3.581	1400	—	700	1.09 ■	464	.72	—	3.40 ^④	5.34 ^⑤	6.48 ^⑤	7.24 ^⑤
2.53	19 L	2.268	48 L	5.730	1385	3.31	693	1.71	459	1.14	—	—	—	—	4.65
2.57	28 L	3.342	72 L	8.594	1361	4.61	681	2.49	451	1.67	—	—	—	—	—
	14 L	1.671	36 L	4.297	1361	2.49 ■	681	1.27	451	.85	—	—	4.50 ^⑤	5.67 ^⑤	6.44
2.59	17 L	2.029	44 L	5.252	1352	2.99	676	1.54	448	1.03	—	—	—	4.50	5.29
2.63	32 L	3.820	84 L	10.027	1333	5.10	667	2.83	442	1.91	—	—	—	—	—
2.67	18 L	2.149	48 L	5.730	1312	3.15	656	1.62	435	1.08	—	—	—	—	4.73
	12 L	1.432	32 L	3.820	1312	—	656	1.09 ■	435	.72	—	3.15 ^⑤	5.12 ^⑤	6.27 ^⑤	7.03 ^⑤
2.73	22 L	2.626	60 L	7.162	1283	3.77	642	1.98	425	1.32	—	—	—	—	—
2.75	16 L	1.910	44 L	5.252	1272	2.83	636	1.45	422	.97	—	—	—	4.57	5.37
2.77	26 L	3.104	72 L	8.594	1264	4.35	632	2.32	419	1.56	—	—	—	—	—
2.80	30 L	3.581	84 L	10.027	1250	4.86	625	2.66	414	1.79	—	—	—	—	—
2.82	17 L	2.029	48 L	5.730	1240	2.99	620	1.54	411	1.03	—	—	—	—	4.80
2.86	21 L	2.507	60 L	7.162	1225	3.62	613	1.89	406	1.26	—	—	—	—	—
	14 L	1.671	40 L	4.775	1225	2.49 ■	613	1.27	406	.85	—	—	—	5.21	5.99
3.00	28 L	3.342	84 L	10.027	1167	4.61	583	2.49	387	1.67	—	—	—	—	—
	24 L	2.865	72 L	8.594	1167	4.06	583	2.15	387	1.44	—	—	—	—	—
	20 L	2.387	60 L	7.162	1167	3.46	583	1.80	387	1.20	—	—	—	—	—
	16 L	1.910	48 L	5.730	1167	2.83	583	1.45	387	.97	—	—	—	—	4.88
	12 L	1.432	36 L	4.297	1167	—	583	1.09 ■	387	.72	—	—	4.66 ^④	5.83 ^⑤	6.60 ^⑤
3.14	14 L	1.671	44 L	5.252	1114	2.49 ■	557	1.27	369	.85	—	—	—	4.73 ^⑤	5.53 ^⑤

□ Pulley combinations shown are for conventional speed-reduction ratios; same table can be used for speed step-up ratios by making proper correction of driveN speed and belt hp capacity per inch width.

■ Pulley diameter is below recommended minimum; if used reduced belt life must be expected.

† Center distances shown are **theoretical**; manufacturing tolerances of belt length and pulley diameters can affect actual operating drive center distances.



Stock Drive Selection

L
3/8" Pitch

center distance, inches†															
according to belt pitch length (PL), inches and corresponding code number (bold type)															
PL: 24.00 64 teeth 240 L	PL: 25.50 68 teeth 255 L	PL: 27.00 72 teeth 270 L	PL: 28.50 76 teeth 285 L	PL: 30.00 80 teeth 300 L	PL: 32.25 86 teeth 322 L	PL: 34.50 92 teeth 345 L	PL: 36.75 98 teeth 367 L	PL: 39.00 104 teeth 390 L	PL: 42.00 112 teeth 420 L	PL: 45.00 120 teeth 450 L	PL: 48.00 128 teeth 480 L	PL: 51.00 136 teeth 510 L	PL: 54.00 144 teeth 540 L	PL: 60.00 160 teeth 600 L	speed ratio □
5.83	6.60	7.37	8.13	8.89	10.03	11.17	12.30	13.43	14.94	16.45	17.95	19.46	20.96	23.97	2.20
6.44	7.20	7.96	8.72	9.48	10.62	11.75	12.88	14.01	15.52	17.02	18.53	20.03	21.53	24.54	2.22
—	—	—	—	—	—	7.10	8.29	9.45	11.00	12.53	14.06	15.58	17.09	20.12	2.25
7.03	7.79	8.55	9.31	10.07	11.20	12.33	13.46	14.59	16.09	17.60	19.10	20.60	22.11	25.11	
5.29	6.07	6.85	7.62	8.39	9.53	10.67	11.99	12.94	14.45	15.96	17.47	18.97	20.48	23.49	2.29
7.62	8.38	9.13	9.89	10.64	11.77	12.90	14.03	15.16	16.67	18.17	19.67	21.17	22.68	25.68	
—	—	—	5.84	6.63	7.80	8.97	10.12	11.26	12.79	14.30	15.82	17.33	18.84	21.85	2.31
5.91	6.68	7.45	8.22	8.98	10.12	11.25	12.39	13.52	15.03	16.54	18.04	19.55	21.05	24.06	2.32
—	—	—	—	—	—	—	—	7.72	9.31	10.88	12.43	13.96	15.49	18.54	2.33
8.20 ^⑤	8.96 ^⑤	9.71 ^⑤	10.47 ^⑤	11.22 ^⑤	12.35 ^⑤	13.48 ^⑤	14.61 ^⑤	15.73 ^⑤	17.24 ^⑤	18.74 ^⑤	20.24 ^⑤	21.74 ^⑤	23.24 ^⑤	26.25 ^⑤	
—	—	—	—	—	—	7.26	8.44	9.62	11.16	12.70	14.23	15.75	17.27	20.29	2.40
5.37	6.15	6.93	7.70	8.47	9.61	10.75	11.89	13.03	14.54	16.05	17.56	19.06	20.57	23.58	
5.99	6.77	7.54	8.30	9.06	10.20	11.34	12.48	13.61	15.12	16.63	18.13	19.64	21.14	24.15	2.44
—	—	—	5.99	6.79	7.97	9.13	10.28	11.43	12.96	14.48	15.99	17.50	19.01	22.03	2.50
6.60	7.37	8.13	8.89	9.65	10.79	11.92	13.06	14.19	15.70	17.20	18.71	20.21	21.72	24.72	
8.00 ^⑤	8.76 ^⑤	9.51 ^⑤	10.27 ^⑤	11.02 ^⑤	12.15 ^⑤	13.28 ^⑤	14.41 ^⑤	15.54 ^⑤	17.04 ^⑤	18.54 ^⑤	20.05 ^⑤	21.55 ^⑤	23.05 ^⑤	26.05 ^⑤	
5.45	6.23	7.01	7.78	8.55	9.70	10.84	11.98	13.11	14.63	16.14	17.65	19.15	20.66	23.67	2.53
—	—	—	—	—	6.19	7.41	8.60	9.78	11.33	12.86	14.39	15.92	17.44	20.47	2.57
7.20	7.96	8.72	9.48	10.24	11.37	12.51	13.64	14.77	16.27	17.78	19.28	20.78	22.29	25.29	
6.07	6.85	7.62	8.39	9.15	10.29	11.43	12.56	13.70	15.21	16.72	18.22	19.73	21.23	24.24	2.59
—	—	—	—	—	—	—	—	8.02	9.63	11.20	12.75	14.30	15.83	18.88	2.63
5.53	6.31	7.09	7.87	8.64	9.78	10.92	12.06	13.20	14.72	16.23	17.73	19.24	20.75	23.76	2.67
7.79 ^⑤	8.55 ^⑤	9.31 ^⑤	10.07 ^⑤	10.82 ^⑤	11.95 ^⑤	13.08 ^⑤	14.21 ^⑤	15.34 ^⑤	16.85 ^⑤	18.35 ^⑤	19.85 ^⑤	21.36 ^⑤	22.86 ^⑤	25.86 ^⑤	
—	—	5.33	6.15	6.95	8.13	9.29	10.45	11.60	13.18	14.65	16.16	17.68	19.19	22.21	2.73
6.15	6.93	7.70	8.47	9.23	10.38	11.51	12.65	13.78	15.30	16.80	18.31	19.82	21.32	24.33	2.75
—	—	—	—	—	6.34	7.56	8.76	9.94	11.49	13.03	14.56	16.09	17.61	20.64	2.77
—	—	—	—	—	—	—	—	8.17	9.78	11.36	12.92	14.46	16.00	19.05	2.80
5.61	6.39	7.17	7.95	8.72	9.87	11.01	12.15	13.29	14.80	16.31	17.82	19.33	20.84	23.85	2.82
.....	5.40	6.22	7.02	8.21	9.37	10.53	11.68	13.21	14.73	16.25	17.77	19.28	22.30	2.86
6.77	7.54	8.30	9.06	9.83	10.96	12.10	13.23	14.36	15.87	17.38	18.89	20.39	21.89	24.90	
—	—	—	—	—	—	—	7.08	8.33	9.94	11.52	13.08	14.63	16.16	19.22	3.00
—	—	—	—	—	6.49	7.72	8.92	10.10	11.65	13.20	14.73	16.26	17.78	20.81	
—	—	5.48	6.30	7.10	8.29	9.46	10.61	11.77	13.29	14.82	16.34	17.85	19.36	22.38	
5.68	6.47	7.26	8.03	8.80	9.95	11.10	12.24	13.37	14.89	16.40	17.91	19.42	20.93	23.94	
7.37 ^⑤	8.13 ^⑤	8.89 ^⑤	9.65 ^⑤	10.41 ^⑤	11.55 ^⑤	12.68 ^⑤	13.81 ^⑤	14.94 ^⑤	16.45 ^⑤	17.96 ^⑤	19.46 ^⑤	20.96 ^⑤	22.47 ^⑤	25.47 ^⑤	
6.31 ^⑤	7.09 ^⑤	7.87	8.64	9.40	10.54	11.68	12.82	13.96	15.47	16.98	18.49	19.99	21.50	24.51	3.14

Teeth in Mesh	F factor
6 or more	1.00
5	.80
4	.60
3	.40
2	.20

NOTE: Multiply the H.P. ratings shown in the Drive Section Tables by Factor "F" and the width correction factors shown below:

belt width	3/8	7/16	1/2	5/8	3/4	7/8	1	1 1/4	1 1/2	1 3/4	2	2 1/2	3
width factor	.28	.35	.42	.57	.71	.86	1.0	1.29	1.56	1.84	2.14	2.72	3.36

If the number of teeth in mesh (TIM) is 5 or less, the exact TIM is indicated by the number in a circle following the center distance.

L

3/8" Pitch

Stock Drive Selection

Martin

speed ratio □	pulley combination				driveN speed and hp capacity						center distance, inches †				
	driveR		driveN		3500 rpm driveR speed		1750 rpm driveR speed		1160 rpm driveR speed		according to belt pitch length (PL), inches and corresponding code number (bold type)				
	code: no. of grooves	pitch diameter in.	code: no. of grooves	pitch diameter in.	driveN speed rpm	hp for 1 inch belt	driveN speed rpm	hp for 1 inch belt	driveN speed rpm	hp for 1 inch belt	PL: 12.375 33 teeth 124 L	PL: 15.00 40 teeth 150 L	PL: 18.75 50 teeth 187 L	PL: 21.00 56 teeth 210 L	PL: 22.50 60 teeth 225 L
3.16	19 L	2.268	60 L	7.162	1108	3.31	554	1.71	367	1.14	—	—	—	—	—
3.23	26 L	3.104	84 L	10.027	1084	4.35	542	2.32	359	1.56	—	—	—	—	—
3.27	22 L	2.626	72 L	8.594	1069	3.77	535	1.98	354	1.32	—	—	—	—	—
3.33	18 L 12 L	2.149 1.432	60 L 40 L	7.162 4.775	1050 1050	3.15 —	525 525	1.62 1.09■	348 348	1.08 .72	—	—	—	—	—
3.43	21 L 14 L	2.507 1.671	72 L 48 L	8.594 5.730	1021 1021	3.62 2.49■	510 510	1.89 1.27	338 338	1.26 .85	—	—	—	—	—
3.50	24 L	2.865	84 L	10.027	1000	4.06	500	2.15	331	1.44	—	—	—	—	—
3.53	17 L	2.029	60 L	7.162	992	2.99	496	1.54	329	1.03	—	—	—	—	—
3.60	20 L	2.387	72 L	8.594	972	3.46	486	1.80	322	1.20	—	—	—	—	—
3.66	12 L	1.432	44 L	5.252	955	—	477	1.09■	316	.72	—	—	—	4.88 ₄	5.68 ₄
3.75	16 L	1.910	60 L	7.162	933	2.83	467	1.45	309	.97	—	—	—	—	—
3.79	19 L	2.268	72 L	8.594	924	3.31	462	1.71	306	1.14	—	—	—	—	—
3.82	22 L	2.626	84 L	10.027	916	3.77	458	1.98	304	1.32	—	—	—	—	—
4.00	21 L 18 L 12 L	2.507 2.149 1.432	84 L 72 L 48 L	10.027 8.594 5.730	875 875 875	3.62 3.15 —	438 438 438	1.89 1.62 1.09■	290 290 290	1.26 1.08 .72	—	—	—	—	—
4.20	20 L	2.387	84 L	10.027	833	3.46	417	1.80	276	1.20	—	—	—	—	—
4.23	17 L	2.029	72 L	8.594	826	2.99	413	1.54	274	1.03	—	—	—	—	—
4.29	14 L	1.671	60 L	7.162	817	2.49■	408	1.27	271	.85	—	—	—	—	—
4.42	19 L	2.268	84 L	10.027	792	3.31	396	1.71	262	1.14	—	—	—	—	—
4.50	16 L	1.910	72 L	8.594	778	2.83	389	1.45	258	.97	—	—	—	—	—
4.67	18 L	2.149	84 L	10.027	749	3.15	375	1.62	248	1.08	—	—	—	—	—
4.94	17 L	2.029	84 L	10.027	708	2.99	354	1.54	235	1.03	—	—	—	—	—
5.00	12 L	1.432	60 L	7.162	700	—	350	1.09■	232	.72	—	—	—	—	—
5.14	14 L	1.671	72 L	8.594	681	2.49■	340	1.27	226	.85	—	—	—	—	—
5.25	16 L	1.910	84 L	10.027	667	2.83	333	1.45	221	.97	—	—	—	—	—
6.00	14 L 12 L	1.671 1.432	84 L 72 L	10.027 8.594	583 583	2.49■ —	292 292	1.27 1.09■	193 193	.85 .72	—	—	—	—	—
7.00	12 L	1.432	84 L	10.027	500	—	250	1.09■	166	.72	—	—	—	—	—

□ Pulley combinations shown are for conventional speed-reduction ratios; same table can be used for speed step-up ratios by making proper correction of driveN speed and belt hp capacity per inch width.

■ Pulley diameter is below recommended minimum; if used reduced belt life must be expected.

† Center distances shown are **theoretical**; manufacturing tolerances of belt length and pulley diameters can affect actual operating drive center distances.



Stock Drive Selection

L
3/8" Pitch

center distance, inches†															speed ratio □
according to belt pitch length (PL), inches and corresponding code number (bold type)															
PL: 24.00 64 teeth 240 L	PL: 25.50 68 teeth 255 L	PL: 27.00 72 teeth 270 L	PL: 28.50 76 teeth 285 L	PL: 30.00 80 teeth 300 L	PL: 32.25 86 teeth 322 L	PL: 34.50 92 teeth 345 L	PL: 36.75 98 teeth 367 L	PL: 39.00 104 teeth 390 L	PL: 42.00 112 teeth 420 L	PL: 45.00 120 teeth 450 L	PL: 48.00 128 teeth 480 L	PL: 51.00 136 teeth 510 L	PL: 54.00 144 teeth 540 L	PL: 60.00 160 teeth 600 L	
—	—	5.46	6.38	7.18	8.37	9.54	10.70	11.85	14.50	14.90	16.42	17.94	19.45	22.47	3.16
—	—	—	—	—	—	—	7.22	8.48	10.10	11.68	13.24	14.79	16.33	19.39	3.23
—	—	—	—	—	6.64	7.87	9.07	10.26	11.82	13.36	14.90	16.43	17.95	20.99	3.27
—	—	5.62	6.45	7.26	8.45	9.62	10.78	11.93	13.46	14.99	16.51	18.02	19.54	22.56	3.33
6.93 ^⑤	7.70 ^⑤	8.47 ^⑤	9.23 ^⑤	10.00 ^⑤	11.14 ^⑤	12.27 ^⑤	13.40 ^⑤	14.54 ^⑤	16.05 ^⑤	17.56 ^⑤	19.06 ^⑤	20.57 ^⑤	22.08 ^⑤	25.08 ^⑤	
—	—	—	—	—	6.71	7.95	9.15	10.34	11.90	13.44	14.98	16.51	18.03	21.07	3.43
5.84 ^⑤	6.63 ^⑤	7.42 ^⑤	8.19 ^⑤	8.97 ^⑤	10.12	11.26	12.41	13.55	15.06	16.57	18.08	19.59	21.10	24.11	
—	—	—	—	—	—	—	7.37	8.63	10.25	11.84	13.40	14.95	16.49	19.56	3.50
—	4.84 ^⑤	5.70	6.53	7.34	8.52	9.70	10.86	12.02	13.55	15.07	16.59	18.11	19.62	22.65	3.53
—	—	—	—	—	6.78	8.02	9.23	10.42	11.98	13.53	15.06	16.59	18.12	21.16	3.60
6.47 ^④	7.25 ^④	8.03 ^⑤	8.80 ^⑤	9.57 ^⑤	10.71 ^⑤	11.86 ^⑤	13.00 ^⑤	14.13 ^⑤	15.64 ^⑤	17.16 ^⑤	18.66 ^⑤	20.17 ^⑤	21.68 ^⑤	24.69 ^⑤	3.66
—	4.91 ^⑤	5.77 ^⑤	6.60 ^⑤	7.41	8.60	9.78	10.94	12.10	13.63	15.16	16.68	18.20	19.71	22.73	3.75
—	—	—	—	—	6.86	8.10	9.31	10.51	12.06	13.61	15.15	16.68	18.20	21.24	3.79
—	—	—	—	—	—	—	7.51	8.78	10.40	12.00	13.56	15.12	16.66	19.18	3.82
—	—	—	—	—	—	—	7.58	8.85	10.48	12.07	13.64	15.20	16.74	19.80	4.00
—	—	—	—	5.61 ^⑤	6.93	8.18	9.39	10.58	12.14	13.69	15.23	16.76	18.29	21.33	
5.99 ^④	6.79 ^④	7.58 ^④	8.36 ^④	9.13 ^⑤	10.28 ^⑤	11.43 ^⑤	12.58 ^⑤	13.72 ^⑤	15.23 ^⑤	16.75 ^⑤	18.25 ^⑤	19.77 ^⑤	21.28 ^⑤	24.29 ^⑤	
—	—	—	—	—	—	—	7.66	8.93	10.56	12.15	13.72	15.28	16.82	19.89	4.20
—	—	—	—	5.68 ^⑤	7.00 ^⑤	8.25	9.46	10.65	12.22	13.77	15.31	16.85	18.37	21.42	4.23
—	5.05 ^④	5.92 ^④	6.75 ^⑤	7.57 ^⑤	8.76 ^⑤	9.94 ^⑤	11.11 ^⑤	12.26 ^⑤	13.80	15.33	16.85	18.37	19.88	22.91	4.29
—	—	—	—	—	—	6.38 ^⑤	7.73	9.00	10.64	12.23	13.80	15.36	16.91	19.98	4.42
—	—	—	—	5.75 ^④	7.08 ^⑤	8.33 ^⑤	9.54	10.73	12.30	13.85	15.40	16.93	18.46	21.50	4.50
—	—	—	—	—	—	6.45 ^⑤	7.80 ^⑤	9.08	10.71	12.31	13.88	15.44	16.99	20.06	4.67
—	—	—	—	—	—	6.51 ^④	7.87 ^⑤	9.15 ^⑤	10.79	12.39	13.96	15.52	17.07	20.14	4.94
—	5.19 ^③	6.07 ^④	6.90 ^④	7.72 ^④	8.92 ^④	10.10 ^④	11.27 ^⑤	12.43 ^⑤	13.97 ^⑤	15.49 ^⑤	17.02 ^⑤	18.54 ^⑤	20.06 ^⑤	23.08 ^⑤	5.00
—	—	—	—	5.89 ^④	7.22 ^④	8.48 ^⑤	9.70 ^⑤	10.89 ^⑤	12.46 ^⑤	14.02 ^⑤	15.56 ^⑤	17.10	18.63	21.67	5.14
—	—	—	—	—	—	6.58 ^④	7.94 ^⑤	9.22 ^⑤	10.87	12.47	14.04	15.60	17.15	20.23	5.25
—	—	—	—	—	—	6.72 ^④	8.09 ^④	9.37 ^④	11.02 ^⑤	12.62 ^⑤	14.20 ^⑤	15.76 ^⑤	17.32 ^⑤	20.39 ^⑤	6.00
—	—	—	—	6.03 ^③	7.37 ^④	8.63 ^④	9.85 ^④	11.05 ^④	12.62 ^④	14.18 ^⑤	15.73 ^⑤	17.26 ^⑤	18.79 ^⑤	21.84 ^⑤	
—	—	—	—	—	—	6.86 ^③	8.23 ^③	9.52 ^④	11.17 ^④	12.78 ^④	14.36 ^④	15.93 ^④	17.48 ^⑤	20.56 ^⑤	7.00

Teeth in Mesh	F factor
6 or more	1.00
5	.80
4	.60
3	.40
2	.20

NOTE: Multiply the H.P. ratings shown in the Drive Section Tables by Factor "F" and the width correction factors shown below:

belt width	3/8	7/16	1/2	5/8	3/4	7/8	1	1 1/4	1 1/2	1 3/4	2	2 1/2	3
width factor	.28	.35	.42	.57	.71	.86	1.0	1.29	1.56	1.84	2.14	2.72	3.36

If the number of teeth in mesh (TIM) is 5 or less, the exact TIM is indicated by the number in a circle following the center distance.

H 1/2" Pitch

Stock Drive Selection



speed ratio □	pulley combination				driveN speed and hp capacity						center distance, inches†						
	driveR		driveN		3500 rpm driveR speed		1750 rpm driveR speed		1160 rpm driveR speed		according to belt pitch length (PL), inches and corresponding code number (bold type)						
	code: no. of grooves	pitch diameter in.	code: no. of grooves	pitch diameter in.	driveN speed rpm	hp for 1 inch belt	driveN speed rpm	hp for 1 inch belt	driveN speed rpm	hp for 1 inch belt	PL: 24.00 48 teeth 240 H	PL: 27.00 54 teeth 270 H	PL: 30.00 60 teeth 300 H	PL: 33.00 66 teeth 330 H	PL: 36.00 72 teeth 360 H	PL: 39.00 78 teeth 390 H	PL: 42.00 84 teeth 420 H
1.00	48 H	7.639	48H	7.639	3500	21.63	1750	13.84	1160	9.55	—	—	—	—	—	—	9.01
	44 H	7.003	44 H	7.003	3500	21.01	1750	12.81	1160	8.80	—	—	—	—	—	8.51	10.01
	40 H	6.366	40 H	6.366	3500	20.08	1750	11.79	1160	8.03	—	—	—	—	8.01	9.51	11.01
	36 H	5.730	36 H	5.730	3500	18.89	1750	10.71	1160	7.26	—	—	—	7.51	9.01	10.51	12.01
	32 H	5.093	32 H	5.093	3500	17.40	1750	9.60	1160	6.48	—	5.51	7.01	8.51	10.01	11.51	13.01
	30 H	4.775	30 H	4.775	3500	16.59	1750	9.03	1160	6.08	—	6.01	7.51	9.01	10.51	12.01	13.51
	28 H	4.456	28 H	4.456	3500	15.74	1750	8.46	1160	5.68	5.01	6.51	8.01	9.51	11.01	12.51	14.01
	26 H	4.138	26 H	4.138	3500	14.80	1750	7.88	11.60	5.28	5.51	7.01	8.51	10.01	11.51	13.01	14.51
	24 H	3.820	24 H	3.820	3500	13.82	1750	7.30	1160	4.89	6.01	7.51	9.01	10.51	12.01	13.51	15.01
	22 H	3.501	22 H	3.501	3500	12.84	1750	6.71	1160	4.48	6.51	8.01	9.51	11.01	12.51	14.01	15.51
	21 H	3.342	21 H	3.342	3500	12.31 ■	1750	6.41	1160	4.28	6.76	8.26	9.76	11.26	12.76	14.26	15.76
	20 H	3.183	20 H	3.183	3500	11.77 ■	1750	6.11	1160	4.08	7.01	8.51	10.01	11.51	13.01	14.51	16.01
19 H	3.024	19 H	3.024	3500	11.24 ■	1750	5.81 ■	1160	3.88	7.26	8.76	10.26	11.76	13.26	14.76	16.26	
18 H	2.865	18 H	2.865	3500	10.71 ■	1750	5.52 ■	1160	3.68	7.51	9.01	10.51	12.01	13.51	15.01	16.51	
16 H	2.546	16 H	2.546	3500	—	1750	4.91 ■	1160	3.27 ■	8.01	9.51	11.01	12.51	14.01	15.51	17.01	
1.04	21 H	3.342	22 H	3.501	3342	12.31 ■	1671	6.41	1108	4.28	6.63	8.13	9.63	11.13	12.63	14.14	15.64
1.05	20 H	3.183	21 H	3.342	3333	11.77 ■	1667	6.11	1105	4.08	6.88	8.38	9.88	11.38	12.88	14.39	15.89
	19 H	3.024	20 H	3.183	3325	11.24 ■	1663	5.81 ■	1102	3.88	7.13	8.63	10.13	11.63	13.14	14.64	16.14
	18 H	2.865	19 H	3.024	3314	10.71 ■	1657	5.52 ■	1098	3.68	7.38	8.88	10.38	11.89	13.39	14.89	16.39
1.07	30 H	4.775	32 H	5.093	3281	16.59	1641	9.03	1087	6.08	—	5.75	7.25	8.76	10.26	11.76	13.26
	28 H	4.456	30 H	4.775	3267	15.74	1633	8.46	1083	5.68	—	6.25	7.76	9.26	10.76	12.26	13.76
1.08	26 H	4.138	28 H	4.456	3250	14.80	1625	7.88	1077	5.28	5.25	6.75	8.26	9.76	11.26	12.76	14.26
	24 H	3.820	26 H	4.138	3231	13.82	1615	7.30	1071	4.89	5.76	7.26	8.76	10.26	11.76	13.26	14.76
1.09	44 H	7.003	48 H	7.639	3208	21.01	1604	12.84	1063	8.80	—	—	—	—	—	7.98	9.50
	22 H	3.501	24 H	3.820	3208	12.84	1604	6.71	1063	4.48	6.26	7.76	9.26	10.76	12.26	13.76	15.26
1.10	40 H	6.366	44 H	7.003	3182	20.08	1591	11.79	1055	8.03	—	—	—	—	7.50	9.00	10.50
	20 H	3.183	22 H	3.501	3182	11.77 ■	1591	6.11	1055	4.08	6.76	8.26	9.76	11.26	12.76	14.26	15.75
	19 H	3.024	21 H	3.342	3167	11.24 ■	1583	5.81 ■	1050	3.88	7.01	8.51	10.01	11.51	13.01	14.51	16.01
1.11	36 H	5.730	40 H	6.366	3150	18.89	1575	10.71	1044	7.26	—	—	—	7.00	8.50	10.00	11.50
	18 H	2.865	20 H	3.183	3150	10.71 ■	1575	5.52 ■	1044	3.68	7.26	8.76	10.26	11.76	13.26	14.76	16.26
1.13	32 H	5.093	36 H	5.730	3111	17.40	1556	9.60	1031	6.48	—	—	6.50	8.00	9.50	11.00	12.50
	16 H	2.546	18 H	2.865	3111	—	1556	4.91 ■	1031	3.27 ■	7.76	9.26	10.76	12.26	13.76	15.26	16.76
1.14	28 H	4.456	32 H	5.093	3063	15.74	1531	8.46	1015	5.68	—	6.00	7.50	9.00	10.50	12.01	13.51
	21 H	3.342	24 H	3.820	3063	12.31 ■	1531	6.41	1015	4.28	6.38	7.88	9.38	10.88	12.38	13.88	15.38
1.15	26 H	4.138	30 H	4.775	3033	14.80	1517	7.88	1005	5.28	5.00	6.50	8.00	9.50	11.00	12.51	14.01
1.16	19 H	3.024	22 H	3.501	3023	11.24 ■	1511	5.81 ■	1002	3.88	6.88	8.38	9.88	11.38	12.88	14.38	15.88
1.17	24 H	3.820	28 H	4.456	3000	13.82	1500	7.30	994	4.89	5.50	7.00	8.50	10.00	11.50	13.01	14.51
	18 H	2.865	21 H	3.342	3000	10.71 ■	1500	5.52 ■	994	3.68	7.13	8.63	10.13	11.63	13.13	14.63	16.13
1.18	22 H	3.501	26 H	4.138	2962	12.84	1481	6.71	982	4.48	6.00	7.50	9.00	10.50	12.01	13.50	15.01
1.19	16 H	2.546	19 H	3.024	2947	—	1474	4.91 ■	977	3.27 ■	7.63	9.13	10.63	12.13	13.63	15.13	16.63
1.20	40 H	6.366	48 H	7.639	2917	20.08	1458	11.79	967	8.03	—	—	—	—	—	8.48	9.99
	30 H	4.775	36 H	5.730	2917	16.59	1458	9.03	967	6.08	—	—	6.74	8.24	9.75	11.25	12.75
	20 H	3.183	24 H	3.820	2917	11.77 ■	1458	6.11	967	4.08	6.50	8.00	9.50	11.00	12.51	14.01	15.51

□ Pulley combinations shown are for conventional speed-reduction ratios; same table can be used for speed step-up ratios by making proper correction of driveN speed and belt hp capacity per inch width.

■ Pulley diameter is below recommended minimum; if used reduced belt life must be expected.

† Center distances shown are **theoretical**; manufacturing tolerances of belt length and pulley diameters can affect actual operating drive center distances.



Stock Drive Selection

H 1/2" Pitch

center distance, inches†																	speed ratio □	
according to belt pitch length (PL), inches and corresponding code number (bold type)																		
PL: 45.00 90 teeth 450 H	PL: 48.00 96 teeth 480 H	PL: 51.00 102 teeth 510 H	PL: 54.00 108 teeth 540 H	PL: 57.00 114 teeth 570 H	PL: 60.00 120 teeth 600 H	PL: 63.00 126 teeth 630 H	PL: 66.00 132 teeth 660 H	PL: 70.00 140 teeth 700 H	PL: 75.00 150 teeth 750 H	PL: 80.00 160 teeth 800 H	PL: 85.00 170 teeth 850 H	PL: 90.00 180 teeth 900 H	PL: 100.00 200 teeth 1000 H	PL: 110.00 220 teeth 1100 H	PL: 125.00 250 teeth 1250 H	PL: 140.00 280 teeth 1400 H	PL: 170.00 340 teeth 1700 H	
10.51	12.01	13.51	15.01	16.51	18.01	19.51	21.01	23.01	25.51	28.01	30.51	33.01	38.01	43.01	50.51	58.01	73.01	
11.51	13.01	14.51	16.01	17.51	19.01	20.51	22.01	24.01	26.51	29.01	31.51	34.01	39.01	44.01	51.51	59.01	74.01	
12.51	14.01	15.51	17.01	18.51	20.01	21.51	23.01	25.01	27.51	30.01	32.51	35.01	40.01	45.01	52.51	60.01	75.01	
13.51	15.01	16.51	18.01	19.51	21.01	22.51	24.01	26.01	28.51	31.01	33.51	36.01	41.01	46.01	53.51	61.01	76.01	1.05
14.51	16.01	17.51	19.01	20.51	22.01	23.51	25.01	27.01	29.51	32.01	34.51	37.01	42.01	47.01	54.51	62.01	77.01	
15.01	16.51	18.01	19.51	21.01	22.51	24.01	25.51	27.51	30.01	32.51	35.01	37.51	42.51	47.51	55.01	62.51	77.51	
15.51	17.01	18.51	20.01	21.51	23.01	24.51	26.01	28.01	30.51	33.01	35.51	38.01	43.01	48.01	55.51	63.01	78.01	1.07
16.01	17.51	19.01	20.51	22.01	23.51	25.01	26.51	28.51	31.01	33.51	36.01	38.51	43.51	48.51	56.01	63.51	78.51	
16.51	18.01	19.51	21.01	22.51	24.01	25.51	27.01	29.01	31.51	34.01	36.51	39.01	44.01	49.01	56.51	64.01	79.01	
17.01	18.51	20.01	21.51	23.01	24.51	26.01	27.51	29.51	32.01	34.51	37.01	39.51	44.51	49.51	57.01	64.51	79.51	1.08
17.26	18.76	20.26	21.76	23.26	24.76	26.26	27.76	29.76	32.26	34.76	37.26	39.76	44.76	49.76	57.26	64.76	79.76	
17.51	19.01	20.51	22.01	23.51	25.01	26.51	28.01	30.01	32.51	35.01	37.51	40.01	45.01	50.01	57.51	65.01	80.01	
17.76	19.26	20.76	22.26	23.76	25.26	26.76	28.26	30.26	32.76	35.26	37.76	40.26	45.26	50.26	57.76	65.26	80.26	1.09
18.01	19.51	21.01	22.51	24.01	25.51	27.01	28.51	30.51	33.01	35.51	38.01	40.51	45.51	50.51	58.01	65.51	80.51	
18.51	20.01	21.51	23.01	24.51	26.01	27.51	29.01	31.01	33.51	36.01	38.51	41.01	46.01	51.01	58.51	66.01	81.01	
17.14	18.64	20.14	21.64	23.14	24.64	26.14	27.64	29.64	32.14	34.64	37.14	39.64	44.69	49.64	57.14	64.64	79.64	1.04
17.39	18.89	20.39	21.89	23.39	24.89	26.39	27.89	29.89	32.39	34.89	37.39	39.89	44.89	49.89	57.39	64.89	79.89	
17.64	19.14	20.64	22.14	23.64	25.14	26.64	28.14	30.14	32.64	35.14	37.64	40.14	45.14	50.14	57.64	65.14	80.14	
17.89	19.39	20.89	22.39	23.89	25.39	26.89	28.39	30.39	32.89	35.39	37.89	40.39	45.39	50.39	57.89	65.39	80.39	
14.76	16.26	17.76	19.26	20.76	22.26	23.76	25.26	27.26	29.76	32.26	34.76	37.26	42.26	47.26	54.76	62.26	77.26	1.07
15.26	16.76	18.26	19.76	21.26	22.76	24.26	25.76	27.76	30.26	32.76	35.26	37.76	42.76	47.76	55.26	62.76	77.76	
15.76	17.26	18.76	20.26	21.76	23.26	24.76	26.26	28.26	30.76	33.26	35.76	38.26	43.26	48.26	55.76	63.26	78.26	
16.26	17.76	19.26	20.76	22.26	23.76	25.26	26.76	28.76	31.26	33.76	36.26	38.76	43.76	48.76	56.26	63.76	78.76	1.08
11.00	12.50	14.00	15.51	17.01	18.51	20.01	21.51	23.51	26.01	28.51	31.00	33.51	38.51	43.51	51.01	58.51	73.51	
16.76	18.26	19.76	21.26	22.76	24.26	25.76	27.26	29.26	31.76	34.26	36.76	39.26	44.26	49.26	56.76	64.26	79.26	
12.00	13.50	15.01	16.51	18.01	19.51	21.01	22.51	24.51	27.01	29.51	32.01	34.51	39.51	44.51	52.01	59.51	74.51	1.10
17.26	18.75	20.36	21.76	23.26	24.76	26.26	27.76	29.76	32.26	34.76	37.26	39.76	44.76	49.76	57.26	64.76	79.76	
17.51	19.01	20.51	22.01	23.51	25.01	26.51	28.01	30.01	32.51	35.01	37.51	40.01	45.01	50.01	57.51	65.01	80.01	
13.00	14.50	16.01	17.51	19.01	20.51	22.01	23.51	25.51	28.01	30.51	33.01	35.51	40.51	45.51	53.01	60.51	75.51	1.11
17.76	19.26	20.76	22.26	23.76	25.26	26.76	28.26	30.26	32.76	35.26	37.76	40.26	45.26	50.26	57.76	65.26	80.26	
14.01	15.51	17.01	18.51	20.01	21.51	23.01	24.51	26.51	29.01	31.51	34.01	36.51	41.51	46.51	54.01	61.50	76.51	
18.26	19.76	21.26	22.76	24.26	25.76	27.26	28.76	30.76	32.26	35.76	38.26	40.76	45.76	50.76	58.26	65.76	80.76	1.13
15.01	16.51	18.01	19.51	21.01	22.51	24.01	25.51	27.51	30.01	32.51	35.01	37.51	42.51	47.51	55.01	62.51	77.51	
16.88	18.38	19.88	21.38	22.89	24.39	25.89	27.39	29.39	31.89	34.39	36.89	39.39	44.39	49.39	56.89	64.39	79.39	
15.51	17.01	18.51	20.01	21.51	23.01	24.51	26.01	28.01	30.51	33.01	35.51	38.01	43.01	48.01	55.51	63.01	78.01	1.14
17.38	18.88	20.39	21.89	23.39	24.89	26.39	27.89	29.89	32.39	34.89	37.39	39.89	44.86	49.89	57.39	64.89	79.89	
16.01	17.51	19.01	20.51	22.01	23.51	25.01	26.51	28.51	31.01	33.51	36.01	38.51	43.51	48.51	56.01	63.51	78.51	
17.63	19.13	20.63	22.13	23.64	25.14	26.64	28.14	30.14	32.64	35.14	37.64	40.14	45.14	50.14	57.64	65.14	80.14	1.17
16.51	18.01	19.51	21.01	22.51	24.01	25.51	27.01	29.01	31.51	34.01	36.51	39.01	44.01	49.01	56.51	64.01	79.01	
18.13	19.63	21.14	22.64	24.14	25.64	27.14	28.64	30.64	33.14	35.64	38.14	40.64	45.64	50.64	58.14	65.64	80.64	
11.49	12.99	14.49	16.00	17.50	19.00	20.50	22.00	24.00	26.51	29.00	31.50	34.00	39.01	44.00	51.51	59.01	74.01	1.20
14.25	15.75	17.25	18.75	20.25	21.76	23.26	24.76	26.76	29.26	31.76	34.26	36.76	41.76	46.76	54.26	61.76	76.76	
17.01	18.51	20.01	21.51	23.01	24.51	26.01	27.51	29.51	32.01	34.51	37.01	39.51	44.51	49.51	57.01	64.51	79.51	

Teeth in Mesh	F factor
6 or more	1.00
5	.80
4	.60
3	.40
2	.20

NOTE: Multiply the H.P. ratings shown in the Drive Section Tables by Factor "F" and the width correction factors shown below:

belt width	1/2	5/8	3/4	7/8	1	1 1/4	1 1/2	1 3/4	2	2 1/2	3	3 1/2	4	5	6	7	8
width factor	.42	.57	.71	.86	1.0	1.29	1.56	1.84	2.14	2.72	3.36	4.06	4.76	6.15	7.50	8.89	10.32

If the number of teeth in mesh (TIM) is 5 or less, the exact TIM is indicated by the number in a circle following the center distance.

H 1/2" Pitch

Stock Drive Selection



speed ratio □	pulley combination				driveN speed and hp capacity						center distance, inches †						
	driveR		driveN		3500 rpm driveR speed		1750 rpm driveR speed		1160 rpm driveR speed		according to belt pitch length (PL), inches and corresponding code number (bold type)						
	code: no. of grooves	pitch diameter in.	code: no. of grooves	pitch diameter in.	driveN speed rpm	hp for 1 inch belt	driveN speed rpm	hp for 1 inch belt	driveN speed rpm	hp for 1 inch belt	PL: 24.00 48 teeth 240 H	PL: 27.00 54 teeth 270 H	PL: 30.00 60 teeth 300 H	PL: 33.00 66 teeth 330 H	PL: 36.00 72 teeth 360 H	PL: 39.00 78 teeth 390 H	PL: 42.00 84 teeth 420 H
1.22	36 H	5.730	44 H	7.003	2864	18.89	1432	10.71	949	7.26	—	—	—	—	7.98	9.48	10.99
	18 H	2.865	22 H	3.501	2864	10.71 ■	1432	5.52 ■	949	3.68	7.01	8.50	10.00	11.51	13.01	14.51	16.01
1.23	26 H	4.138	32 H	5.093	2844	14.80	1422	7.88	943	5.28	—	6.24	7.74	9.24	10.75	12.25	13.75
	21 H	3.342	26 H	4.138	2827	12.31 ■	1413	6.41	937	4.28	6.12	7.62	9.12	10.63	12.13	13.63	15.13
1.25	48 H	7.639	60 H	9.549	2800	—	1400	13.84	928	9.55	—	—	—	—	—	—	—
	32 H	5.093	40 H	6.366	2800	17.40	1400	9.60	928	6.48	—	—	—	7.48	8.98	10.49	11.99
	24 H	3.820	30 H	4.775	2800	13.82	1400	7.30	928	4.89	5.24	6.40	8.24	9.75	11.25	12.75	14.25
	16 H	2.546	20 H	3.183	2800	—	1400	4.91 ■	928	3.27 ■	7.50	9.00	10.50	12.01	13.51	15.01	16.51
1.26	19 H	3.024	24 H	3.820	2770	11.24 ■	1385	5.81 ■	918	3.88	6.64	8.12	9.63	11.13	12.63	14.13	15.63
1.27	22 H	3.501	28 H	4.456	2750	12.84	1375	6.71	911	4.48	5.74	7.24	8.74	10.25	11.75	13.25	14.75
1.29	28 H	4.456	36 H	5.730	2722	15.74	1361	8.46	902	5.68	—	5.47	6.98	8.47	9.99	11.49	13.00
1.30	20 H	3.183	26 H	4.138	2692	11.77 ■	1346	6.11	892	4.08	6.24	7.74	9.25	10.75	12.25	13.75	15.26
1.31	16 H	2.546	21 H	3.342	2666	—	1333	4.91 ■	884	3.27 ■	7.37	8.87	10.38	11.88	13.38	14.88	16.38
1.33	36 H	5.730	48 H	7.639	2625	18.89	1313	10.71	870	7.26	—	—	—	—	7.44	8.96	10.47
	30 H	4.775	40 H	6.366	2625	16.59	1313	9.03	870	6.08	—	—	6.20	7.72	9.22	10.73	12.24
	24 H	3.820	32 H	5.093	2625	13.82	1313	7.30	870	4.89	4.97	6.48	7.98	9.49	10.99	12.49	14.00
	21 H	3.342	28 H	4.456	2625	12.31 ■	1313	6.41	870	4.28	5.86	7.36	8.87	10.37	11.87	13.37	14.88
	18 H	2.865	24 H	3.820	2625	10.71 ■	1313	5.52 ■	870	3.68	6.74	8.24	9.75	11.25	12.75	14.25	15.76
1.36	44 H	7.003	60 H	9.549	2567	21.01	1283	12.84	851	8.80	—	—	—	—	—	—	—
	22 H	3.501	30 H	4.775	2567	12.84	1283	6.71	851	4.48	5.47	6.98	8.48	9.99	11.49	12.99	14.50
1.38	32 H	5.093	44 H	7.003	2545	17.40	1273	9.60	844	6.48	—	—	—	6.94	8.45	9.96	11.47
	26 H	4.138	36 H	5.730	2528	14.80	1264	7.88	838	5.28	—	5.70	7.21	8.72	10.23	11.73	13.24
	19 H	3.024	26 H	4.138	2558	11.24 ■	1279	5.81 ■	848	3.88	6.36	7.86	9.37	10.87	12.37	13.87	15.38
	16 H	2.546	22 H	3.501	2545	—	1273	4.91 ■	844	3.27 ■	7.24	8.75	10.25	11.75	13.25	14.75	16.25
1.40	20 H	3.183	28 H	4.456	2500	11.77 ■	1250	6.11	829	4.08	5.97	7.48	8.99	10.49	11.99	13.49	15.00
1.43	28 H	4.456	40 H	6.366	2450	15.74	1225	8.46	812	5.68	—	—	6.50	7.95	9.46	10.97	12.47
	21 H	3.342	30 H	4.775	2450	12.31 ■	1225	6.41	812	4.28	5.59	7.10	8.60	10.11	11.61	13.11	14.62
1.44	18 H	2.865	26 H	4.138	2423	10.71 ■	1212	5.52 ■	803	3.68	6.48	7.98	9.49	10.99	12.49	14.00	15.50
1.45	22 H	3.501	32 H	5.093	2406	12.84	1203	6.71	798	4.48	5.20	6.71	8.22	9.73	11.23	12.73	14.24
1.46	30 H	4.775	44 H	7.003	2386	16.59	1193	9.03	791	6.08	—	—	—	7.17	8.68	10.20	11.70
1.47	19 H	3.024	28 H	4.456	2375	11.24 ■	1187	5.81 ■	787	3.88	6.09	7.60	9.11	10.61	12.11	13.62	15.12
	1.50	48 H	7.639	72 H	11.459	2333	21.63	1167	13.84	773	9.55	—	—	—	—	—	—
40 H		6.366	60 H	9.549	2333	20.08	1167	11.79	773	8.03	—	—	—	—	—	—	8.35
32 H		5.093	48 H	7.639	2333	17.40	1167	9.60	773	6.48	—	—	—	—	7.90	9.42	10.93
1.52	24 H	3.820	36 H	5.730	2333	13.82	1167	7.30	773	4.89	—	5.93	7.44	8.96	10.46	11.97	13.48
	20 H	3.183	30 H	4.775	2333	11.77 ■	1167	6.11	773	4.08	5.70	7.21	8.72	10.23	11.73	13.24	14.74
	16 H	2.546	24 H	3.820	2333	—	1167	4.91 ■	773	3.27 ■	6.98	8.48	9.99	11.49	12.99	14.50	16.00
1.54	21 H	3.342	32 H	5.093	2297	12.31 ■	1148	6.41	761	4.28	5.31	6.83	8.34	9.84	11.35	12.85	14.45
1.54	26 H	4.138	40 H	6.366	2275	14.80	1138	7.88	754	5.28	—	—	6.66	8.18	9.69	11.20	12.71

□ Pulley combinations shown are for conventional speed-reduction ratios; same table can be used for speed step-up ratios by making proper correction of driveN speed and belt hp capacity per inch width.

■ Pulley diameter is below recommended minimum; if used reduced belt life must be expected.

† Center distances shown are **theoretical**; manufacturing tolerances of belt length and pulley diameters can affect actual operating drive center distances.



Stock Drive Selection

H 1/2" Pitch

center distance, inches†																	speed ratio □	
according to belt pitch length (PL), inches and corresponding code number (bold type)																		
PL: 45.00 90 teeth 450 H	PL: 48.00 96 teeth 480 H	PL: 51.00 102 teeth 510 H	PL: 54.00 108 teeth 540 H	PL: 57.00 114 teeth 570 H	PL: 60.00 120 teeth 600 H	PL: 63.00 126 teeth 630 H	PL: 66.00 132 teeth 660 H	PL: 70.00 140 teeth 700 H	PL: 75.00 150 teeth 750 H	PL: 80.00 160 teeth 800 H	PL: 85.00 170 teeth 850 H	PL: 90.00 180 teeth 900 H	PL: 100.00 200 teeth 1000 H	PL: 110.00 220 teeth 1100 H	PL: 125.00 250 teeth 1250 H	PL: 140.00 280 teeth 1400 H	PL: 170.00 340 teeth 1700 H	
12.49	13.99	15.50	17.00	18.50	20.00	21.50	23.00	25.00	27.50	30.00	32.50	35.01	40.01	45.01	52.51	60.01	75.01	1.22
17.51	19.01	20.51	22.01	23.51	25.01	26.51	28.01	30.01	32.51	35.01	37.50	40.04	45.01	50.01	57.51	65.01	80.01	
15.24	16.75	18.25	19.76	21.25	22.76	24.26	25.76	27.76	30.25	32.76	36.26	37.76	42.76	47.76	55.26	62.76	77.76	1.23
16.63	18.13	19.63	21.13	22.63	24.13	25.63	27.13	29.13	31.63	34.13	36.63	39.14	44.14	49.14	56.64	64.14	79.14	1.24
8.95	10.46	11.97	13.47	14.98	16.48	17.98	19.48	21.49	23.99	26.49	28.99	31.50	36.50	41.50	49.00	56.50	71.50	1.25
13.49	15.00	16.50	18.00	19.50	21.00	22.50	24.00	26.00	28.50	31.00	33.50	36.01	41.00	46.01	53.51	61.01	76.01	
15.75	17.25	18.80	20.25	21.76	23.26	24.76	26.25	28.26	30.76	33.26	35.75	38.26	43.26	48.26	55.76	63.26	78.26	
18.01	19.51	21.01	22.51	24.01	25.51	27.01	28.51	30.51	33.01	35.51	38.01	40.51	45.51	50.51	58.01	65.51	80.51	
17.13	18.63	20.13	21.63	23.13	24.63	26.13	27.63	29.64	32.13	34.64	37.13	39.64	44.64	49.64	57.14	64.64	79.64	1.26
16.25	17.75	19.25	20.76	22.26	23.76	25.26	26.76	28.76	31.26	33.76	36.26	38.76	43.76	48.76	56.26	63.76	78.76	1.27
14.50	16.00	17.50	19.00	20.50	22.00	23.50	25.00	27.00	29.50	32.00	34.51	37.01	42.01	47.01	54.51	62.01	77.01	1.29
16.75	18.25	19.76	21.26	22.76	24.26	25.76	27.26	29.26	31.29	34.26	36.76	39.25	44.26	49.26	56.76	64.26	79.26	1.30
17.88	19.38	20.88	22.38	23.88	25.38	26.88	28.38	30.38	32.88	35.39	37.89	40.39	45.39	50.39	57.89	65.39	80.39	1.31
11.97	13.47	14.98	16.48	17.98	19.49	20.99	22.48	24.49	26.99	29.49	32.00	34.50	39.50	44.50	52.00	59.50	74.51	1.33
13.74	15.24	16.74	18.24	19.74	21.25	22.75	24.25	26.25	28.75	31.25	33.75	36.25	41.25	46.25	53.75	61.26	76.26	
15.50	17.00	18.50	20.00	21.50	23.00	24.50	26.00	28.00	30.50	33.00	35.51	38.01	43.00	48.01	55.51	63.01	78.01	
16.38	17.88	19.38	20.88	22.38	23.88	25.38	26.88	28.88	31.38	33.88	36.38	38.88	43.88	48.88	56.38	63.88	78.88	
17.25	18.80	20.26	21.76	23.26	24.76	26.25	27.76	29.76	32.25	34.76	37.26	39.76	44.76	49.76	57.26	64.76	79.76	
9.42	10.93	12.44	13.95	15.45	16.96	18.46	19.97	21.97	24.48	26.98	29.48	31.98	36.99	41.99	49.49	57.00	72.00	1.36
16.00	17.50	19.00	20.50	22.00	23.50	25.00	26.50	28.50	31.00	33.51	36.01	38.50	43.51	48.51	56.01	63.51	78.52	
12.97	14.48	15.98	17.48	18.99	20.49	21.99	23.49	25.49	27.99	30.50	33.00	35.50	40.50	45.50	53.00	60.50	75.51	1.38
14.74	16.24	17.74	19.24	20.75	22.25	23.75	25.25	27.25	29.75	32.25	34.75	37.25	42.25	47.25	54.76	62.26	77.26	
16.88	18.38	19.88	21.38	22.88	24.38	25.88	27.38	29.38	31.88	34.38	36.88	39.38	44.38	49.38	56.88	64.38	79.39	
17.76	19.26	20.76	22.26	23.76	25.26	26.76	28.26	30.26	32.76	35.26	37.76	40.26	45.26	50.26	57.76	65.26	80.26	
16.50	18.00	19.50	21.00	22.50	24.00	25.50	27.00	29.01	31.50	34.01	36.50	39.01	44.00	49.01	56.51	64.01	79.01	1.40
13.98	15.48	16.98	18.48	19.99	21.49	22.99	24.49	26.49	29.00	31.50	34.00	36.50	41.50	46.50	54.00	61.50	76.50	1.43
16.12	17.62	19.12	20.62	22.12	23.63	25.13	26.63	28.63	31.13	33.63	36.13	38.63	43.63	48.63	56.13	63.63	78.64	
17.00	18.50	20.00	21.50	23.00	24.50	26.01	27.50	29.51	32.01	34.51	37.01	39.51	44.51	49.51	57.01	64.51	79.51	1.44
15.74	17.24	18.74	20.24	21.75	23.18	24.75	26.25	28.25	30.75	33.25	35.75	38.25	43.25	48.25	55.76	63.25	78.26	1.45
13.21	14.72	16.22	17.72	19.23	20.73	22.23	23.73	25.74	28.24	30.74	33.24	35.74	40.75	45.75	53.25	60.41	75.75	1.46
16.62	18.12	19.62	21.12	22.62	24.13	25.63	27.13	29.14	31.63	34.13	36.63	39.13	44.13	49.13	56.63	64.13	79.14	1.47
—	—	10.33	11.85	13.37	14.88	16.40	17.91	19.92	22.43	24.94	27.44	29.95	34.96	39.96	47.47	54.98	69.99	1.50
9.88	11.40	12.91	14.42	15.93	17.44	18.94	20.45	22.45	24.96	27.46	29.97	32.47	37.48	42.48	49.98	57.49	72.49	
12.44	13.95	15.46	16.97	18.47	19.97	21.47	22.97	24.98	27.48	29.98	32.49	34.99	39.99	44.99	52.50	60.00	74.99	
14.98	16.48	17.98	19.49	20.99	22.49	23.99	25.49	27.49	30.00	32.50	35.00	37.50	42.50	47.50	55.00	62.50	77.51	
16.24	17.74	19.24	20.75	22.25	23.75	25.25	26.75	28.75	31.25	33.75	36.25	38.75	43.76	48.76	56.27	63.75	78.76	
17.50	19.00	20.50	22.00	23.50	25.00	26.50	28.00	30.01	32.51	35.01	37.50	40.01	45.02	50.01	57.51	65.01	80.01	
15.86	17.36	18.86	20.37	21.87	23.37	24.87	26.32	28.37	30.87	33.38	35.88	38.38	43.38	48.38	55.88	63.88	78.38	1.52
14.21	15.72	17.22	18.73	20.23	21.73	23.23	24.74	26.74	29.24	31.74	34.24	36.75	41.75	46.75	54.25	61.75	76.75	1.54

Teeth in Mesh	F factor
6 or more	1.00
5	.80
4	.60
3	.40
2	.20

NOTE: Multiply the H.P. ratings shown in the Drive Section Tables by Factor "F" and the width correction factors shown below:

belt width	1/2	5/8	3/4	7/8	1	1 1/4	1 1/2	1 3/4	2	2 1/2	3	3 1/2	4	5	6	7	8
width factor	.42	.57	.71	.86	1.0	1.29	1.56	1.84	2.14	2.72	3.36	4.06	4.76	6.15	7.50	8.89	10.32

If the number of teeth in mesh (TIM) is 5 or less, the exact TIM is indicated by the number in a circle following the center distance.

H 1/2" Pitch

Stock Drive Selection



speed ratio □	pulley combination				driveN speed and hp capacity						center distance, inches †						
	driveR		driveN		3500 rpm driveR speed		1750 rpm driveR speed		1160 rpm driveR speed		according to belt pitch length (PL), inches and corresponding code number (bold type)						
	code: no. of grooves	pitch diameter in.	code: no. of grooves	pitch diameter in.	driveN speed rpm	hp for 1 inch belt	driveN speed rpm	hp for 1 inch belt	driveN speed rpm	hp for 1 inch belt	PL: 24.00 48 teeth 240 H	PL: 27.00 54 teeth 270 H	PL: 30.00 60 teeth 300 H	PL: 33.00 66 teeth 330 H	PL: 36.00 72 teeth 360 H	PL: 39.00 78 teeth 390 H	PL: 42.00 84 teeth 420 H
1.56	18 H	2.865	28 H	4.456	2250	10.71 ■	1125	5.52 ■	746	3.68	6.21	7.72	9.22	10.73	12.23	13.74	15.24
1.57	28 H	4.456	44 H	7.003	2227	15.74	1114	8.46	738	5.68	—	—	—	7.40	8.92	10.43	11.94
1.58	19 H	3.024	30 H	4.775	2217	11.24 ■	1108	5.81 ■	735	3.88	5.82	7.33	8.84	10.35	11.85	13.36	14.86
1.60	30 H	4.775	48 H	7.639	2188	16.59	1094	9.03	725	6.08	—	—	—	6.60	8.13	9.65	11.17
	20 H	3.183	32 H	5.093	2188	11.77 ■	1094	6.11	725	4.08	5.42	6.94	8.45	9.96	11.47	12.97	14.48
1.63	44 H	7.003	72 H	11.459	2139	21.01	1069	12.84	709	8.80	—	—	—	—	—	—	—
	22 H	3.501	36 H	5.730	2139	12.84	1069	6.71	709	4.48	—	—	—	6.60	8.13	9.65	11.17
	16 H	2.546	26 H	4.138	2154	—	1077	4.91 ■	714	3.27 ■	6.71	8.22	9.73	11.23	12.73	14.24	15.74
1.67	36 H	5.730	60 H	9.549	2100	18.89	1050	10.71	696	7.26	—	—	—	—	—	—	8.80
	24 H	3.820	40 H	6.366	2100	13.82	1050	7.30	696	4.89	—	—	—	6.89	8.41	9.93	11.44
	18 H	2.865	30 H	4.775	2100	10.71 ■	1050	5.52 ■	696	3.68	5.93	7.45	8.96	10.46	11.97	13.48	14.98
1.68	19 H	3.024	32 H	5.093	2078	11.24 ■	1039	5.81 ■	689	3.88	5.54	7.06	8.57	10.08	11.59	13.09	14.60
1.69	26 H	4.138	44 H	7.003	2068	14.80	1034	7.88	685	5.28	—	—	—	6.09	7.62	9.15	10.66
1.71	28 H	4.456	48 H	7.639	2042	15.74	1021	8.46	677	5.68	—	—	—	6.82	8.35	9.88	11.40
	21 H	3.342	36 H	5.730	2042	12.31 ■	1021	6.41	677	4.28	4.73	6.27	7.79	9.31	10.82	12.33	13.83
1.75	48 H	7.639	84 H	13.369	2000	21.63	1000	13.84	663	9.55	—	—	—	—	—	—	—
	16 H	2.546	28 H	4.456	2000	—	1000	4.91 ■	663	3.27 ■	6.44	7.95	9.46	10.97	12.47	13.98	15.48
1.78	18 H	2.865	32 H	5.093	1969	10.71 ■	985	5.52 ■	652	3.68	5.65	7.17	8.69	10.20	11.71	13.21	14.72
1.80	40 H	6.366	72 H	11.459	1944	20.08	972	11.79	644	8.03	—	—	—	—	—	—	—
	20 H	3.183	36 H	5.730	1944	11.77 ■	972	6.11	644	4.08	4.84	6.38	7.90	9.42	10.93	12.44	13.95
1.82	22 H	3.501	40 H	6.366	1925	12.84	963	6.71	638	4.48	—	5.57	7.11	8.64	10.16	11.67	13.18
1.83	24 H	3.820	44 H	7.003	1909	13.82	955	7.30	633	4.89	—	—	—	6.30	7.84	9.37	10.89
1.85	26 H	4.138	48 H	7.639	1896	14.80	948	7.88	628	5.28	—	—	—	7.04	8.58	10.11	11.63
1.88	32 H	5.093	60 H	9.549	1867	17.40	933	9.60	619	6.48	—	—	—	—	—	7.68	9.24
	16 H	2.546	30 H	4.775	1867	—	933	4.91 ■	619	3.27 ■	6.16	7.68	9.19	10.70	12.21	13.71	15.22
1.89	19 H	3.024	36 H	5.730	1847	11.24 ■	924	5.81 ■	612	3.88	4.94	6.49	8.02	9.54	11.05	12.56	14.07
1.90	21 H	3.342	40 H	6.366	1838	12.31 ■	919	6.41	609	4.28	—	5.68	7.22	8.75	10.27	11.79	13.30
1.91	44 H	7.003	84 H	13.369	1833	21.01	917	12.84	607	8.80	—	—	—	—	—	—	—
2.00	48 H	7.639	96 H	15.279	1750	21.63	875	13.84	580	9.55	—	—	—	—	—	—	—
	36 H	5.730	72 H	11.459	1750	18.89	875	10.71	580	7.26	—	—	—	—	—	—	—
	30 H	4.775	60 H	9.549	1750	16.59	875	9.03	580	6.08	—	—	—	—	—	7.89	9.45
	24 H	3.820	48 H	7.639	1750	13.82	875	7.30	580	4.89	—	—	—	7.25	8.80	10.33	11.85
	22 H	3.501	44 H	7.003	1750	12.84	875	6.71	580	4.48	—	—	6.52	8.07	9.60	11.12	12.64
	20 H	3.183	40 H	6.366	1750	11.77 ■	875	6.11 ■	580	4.08	—	5.78	7.33	8.86	10.39	11.90	13.41
	18 H	2.865	36 H	5.730	1750	10.71 ■	875	5.52 ■	580	3.68	5.05	6.60	8.13	9.65	11.16	12.68	14.19
	16 H	2.546	32 H	5.093	1750	—	875	4.91 ■	580	3.27 ■	5.87	7.40	8.92	10.43	11.94	13.45	14.96
2.09	21 H	3.342	44 H	7.003	1670	12.31 ■	835	6.41	554	4.28	—	—	—	6.63	8.18	9.71	11.23
2.10	40 H	6.366	84 H	13.369	1667	20.08	833	11.79	552	8.03	—	—	—	—	—	—	—
2.11	19 H	3.024	40 H	6.366	1663	11.24 ■	831	5.81 ■	551	3.88	—	5.89	7.44	8.98	10.50	12.02	13.53

□ Pulley combinations shown are for conventional speed-reduction ratios; same table can be used for speed step-up ratios by making proper correction of driveN speed and belt hp capacity per inch width.

■ Pulley diameter is below recommended minimum; if used reduced belt life must be expected.

† Center distances shown are **theoretical**; manufacturing tolerances of belt length and pulley diameters can affect actual operating drive center distances.



Stock Drive Selection

H 1/2" Pitch

center distance, inches†																	speed ratio □	
according to belt pitch length (PL), inches and corresponding code number (bold type)																		
PL: 45.00 90 teeth 450 H	PL: 48.00 96 teeth 480 H	PL: 51.00 102 teeth 510 H	PL: 54.00 108 teeth 540 H	PL: 57.00 114 teeth 570 H	PL: 60.00 120 teeth 600 H	PL: 63.00 126 teeth 630 H	PL: 66.00 132 teeth 660 H	PL: 70.00 140 teeth 700 H	PL: 75.00 150 teeth 750 H	PL: 80.00 160 teeth 800 H	PL: 85.00 170 teeth 850 H	PL: 90.00 180 teeth 900 H	PL: 100.00 200 teeth 1000 H	PL: 110.00 220 teeth 1100 H	PL: 125.00 250 teeth 1250 H	PL: 140.00 280 teeth 1400 H	PL: 170.00 340 teeth 1700 H	
16.74	18.24	19.75	21.25	22.75	24.25	25.75	27.25	29.25	31.75	34.25	36.49	39.25	44.26	49.25	56.75	64.26	79.26	
13.45	14.95	16.46	17.96	19.47	20.97	22.47	23.98	25.98	28.48	30.99	33.49	35.99	40.99	45.99	53.50	61.00	76.00	1.57
16.36	17.86	19.37	20.87	22.37	23.87	25.37	26.87	28.87	31.37	33.88	36.38	38.88	43.88	48.88	56.38	63.88	78.88	1.58
12.68	14.19	15.69	17.20	18.70	20.21	21.71	23.22	25.22	27.72	30.23	32.13	35.23	40.24	45.24	52.74	60.25	75.25	1.60
15.98	17.48	18.99	20.49	21.99	23.49	24.99	26.49	28.50	31.00	33.50	36.00	38.50	43.50	48.50	56.00	63.52	78.51	
—	—	10.77	12.30	13.83	15.35	16.86	18.37	20.39	22.99	25.42	27.92	30.43	35.44	40.45	47.96	55.47	70.48	1.63
15.22	16.72	18.23	19.73	21.23	22.73	24.24	25.78	27.74	30.24	32.74	35.24	37.75	42.75	47.75	55.25	62.75	77.76	
17.24	18.74	20.25	21.75	23.18	24.75	26.25	27.75	29.75	32.25	34.75	37.25	39.76	44.76	49.76	57.25	64.76	79.77	
10.33	11.85	13.37	14.88	16.40	17.91	19.42	20.92	22.93	25.44	27.94	30.45	32.95	37.96	42.97	50.48	57.98	72.99	1.67
14.45	15.96	17.46	18.97	20.47	21.97	23.48	24.98	26.98	29.48	31.99	34.49	36.99	41.99	47.00	54.50	62.00	77.01	
16.48	17.96	19.49	20.99	22.49	23.99	25.49	26.99	29.00	31.50	34.00	36.50	39.00	44.00	49.00	56.51	64.01	79.01	
16.10	17.60	19.11	20.61	22.11	23.61	25.12	26.62	28.62	31.12	33.62	36.12	38.62	43.63	48.63	56.13	63.63	78.63	1.68
13.68	15.19	16.70	18.20	19.71	21.21	22.72	24.22	26.22	28.73	31.23	33.73	36.23	41.24	46.24	53.74	61.25	76.25	1.69
12.91	14.42	15.93	17.44	18.94	20.45	21.95	23.46	25.46	27.97	30.47	32.97	35.48	40.48	45.48	52.99	60.49	75.49	1.71
15.34	16.84	18.35	19.85	21.35	22.86	24.36	25.86	27.86	30.36	32.87	35.37	37.87	42.87	47.87	55.37	62.88	77.88	
—	—	—	—	11.65	13.19	14.73	16.25	18.28	20.81	23.33	25.85	28.34	33.39	38.40	45.92	53.43	68.45	1.75
16.98	18.49	19.99	21.49	22.99	24.49	26.00	27.49	29.50	32.00	34.50	37.00	39.50	44.50	49.50	57.01	64.50	79.51	
16.22	17.73	19.23	20.73	22.23	23.73	25.24	26.74	28.74	31.24	33.74	36.24	38.75	43.75	48.75	56.25	63.75	78.77	1.78
—	9.67	11.22	12.75	14.28	15.81	17.32	18.84	20.85	23.37	25.88	28.40	30.90	35.92	40.93	48.44	55.95	70.97	1.80
15.46	16.96	18.47	19.97	21.47	22.98	24.48	25.98	28.47	30.99	32.99	35.49	37.99	42.99	48.00	55.50	63.00	78.00	
14.69	16.20	17.70	19.21	20.71	22.21	23.72	25.22	27.22	29.73	32.23	34.73	37.23	42.24	47.24	54.74	62.25	77.25	1.82
13.92	15.43	16.93	18.44	19.95	21.45	22.96	24.46	26.46	28.97	31.47	33.97	36.48	41.48	46.48	53.99	61.49	76.50	1.83
13.14	14.65	16.16	17.67	19.18	20.68	22.19	23.69	25.70	28.21	30.71	33.21	35.72	40.72	45.73	53.24	60.74	75.74	1.85
10.78	12.31	13.83	15.35	16.86	18.37	19.88	21.39	23.40	25.91	28.42	30.93	33.44	38.45	43.45	50.96	58.47	73.48	1.88
16.72	18.23	19.73	21.23	22.73	24.24	25.74	27.24	29.24	31.74	34.24	36.75	39.25	44.25	49.25	56.75	64.26	79.25	
15.58	17.08	18.59	20.09	21.59	23.10	24.60	26.10	28.10	30.61	33.11	35.61	38.11	43.12	48.12	55.63	63.12	78.13	1.89
14.81	16.31	17.82	19.33	20.83	22.33	23.84	25.34	27.34	29.85	32.35	34.85	37.36	42.36	47.36	54.87	62.37	77.37	1.90
—	—	—	10.52	12.08	13.63	15.17	16.70	18.74	21.27	23.79	26.32	28.83	33.86	38.88	46.40	53.92	68.94	1.91
—	—	—	—	—	—	12.94	14.50	16.56	19.12	21.67	24.21	26.74	31.78	36.81	44.35	51.87	66.90	2.00
8.52	10.10	11.65	13.19	14.73	16.25	17.78	19.29	21.32	23.82	26.35	28.87	31.38	36.40	41.41	48.93	56.44	71.45	
11.00	12.53	14.06	15.58	17.09	18.61	20.35	21.63	23.64	26.15	28.66	31.17	33.68	38.69	43.70	51.21	58.71	73.73	
13.37	14.89	16.40	17.91	19.42	20.92	22.43	23.93	25.94	28.45	30.95	33.46	35.96	40.97	45.97	53.48	60.98	75.99	
14.15	15.66	17.17	18.68	20.18	21.69	23.19	24.70	26.70	29.21	31.71	34.22	36.72	41.73	46.73	54.22	61.74	76.74	
14.92	16.43	17.94	19.45	20.95	22.45	23.96	25.46	27.47	29.97	32.47	34.97	37.48	42.48	47.48	54.99	62.49	77.50	
15.69	17.20	18.71	20.21	21.71	23.22	24.72	26.22	28.23	30.73	33.23	35.73	38.24	43.24	48.24	55.74	63.24	78.25	
16.46	17.97	19.47	20.97	22.48	23.98	25.48	26.98	28.99	31.48	33.99	36.49	38.99	43.99	49.00	56.50	64.00	79.01	
14.27	15.78	17.29	18.80	20.30	21.81	23.31	24.82	26.82	29.33	31.83	34.34	36.84	41.85	46.85	54.36	61.86	76.87	2.09
—	—	—	10.94	12.51	14.07	15.61	17.15	19.19	21.73	24.26	26.78	29.30	34.33	39.35	46.88	54.40	69.42	2.10
15.04	16.55	18.06	19.56	21.07	22.57	24.08	25.58	27.59	30.09	32.59	35.10	37.60	42.60	47.61	55.11	62.61	77.62	2.11

Teeth in Mesh	F factor
6 or more	1.00
5	.80
4	.60
3	.40
2	.20

NOTE: Multiply the H.P. ratings shown in the Drive Section Tables by Factor "F" and the width correction factors shown below:

belt width	1/2	5/8	3/4	7/8	1	1 1/4	1 1/2	1 3/4	2	2 1/2	3	3 1/2	4	5	6	7	8
width factor	.42	.57	.71	.86	1.0	1.29	1.56	1.84	2.14	2.72	3.36	4.06	4.76	6.15	7.50	8.89	10.32

If the number of teeth in mesh (TIM) is 5 or less, the exact TIM is indicated by the number in a circle following the center distance.

H 1/2" Pitch

Stock Drive Selection



speed ratio □	pulley combination				driveN speed and hp capacity						center distance, inches†						
	driveR		driveN		3500 rpm driveR speed		1750 rpm driveR speed		1160 rpm driveR speed		according to belt pitch length (PL), inches and corresponding code number (bold type)						
	code: no. of grooves	pitch diameter in.	code: no. of grooves	pitch diameter in.	driveN speed rpm	hp for 1 inch belt	driveN speed rpm	hp for 1 inch belt	driveN speed rpm	hp for 1 inch belt	PL: 24.00 48 teeth 240 H	PL: 27.00 54 teeth 270 H	PL: 30.00 60 teeth 300 H	PL: 33.00 66 teeth 330 H	PL: 36.00 72 teeth 360 H	PL: 39.00 78 teeth 390 H	PL: 42.00 84 teeth 420 H
2.14	28 H	4.456	60 H	9.549	1633	15.74	817	8.46	541	5.68	—	—	—	—	—	8.10	9.67
	14 H	2.228	30 H	4.775	1633	—	817	—	541	2.86 ■	6.38	7.90	9.42	10.94	12.44	13.95	15.46
2.18	44 H	7.003	96 H	15.279	1604	21.01	802	12.84	532	8.80	—	—	—	—	—	—	—
	22 H	3.501	48 H	7.639	1604	12.84	802	6.71	532	4.48	—	—	—	7.47	9.02	10.55	12.08
2.20	20 H	3.183	44 H	7.003	1590	11.77 ■	795	6.11	527	4.08	—	—	6.73	8.29	9.82	11.35	12.87
2.22	18 H	2.865	40 H	6.366	1575	10.71 ■	788	5.52 ■	522	3.68	—	6.00	7.55	9.09	10.61	12.13	13.65
2.25	32 H	5.093	72 H	11.459	1556	17.40	778	9.60	516	6.48	—	—	—	—	—	—	—
	16 H	2.546	36 H	5.730	1556	—	778	4.91 ■	516	3.27 ■	5.26	6.82	8.36	9.88	11.40	12.91	14.42
2.29	21 H	3.342	48 H	7.639	1531	12.31 ■	766	6.41	507	4.28	—	4.34	5.99	7.57	9.13	10.67	12.19
2.31	26H	4.138	60 H	9.549	1517	14.80	758	7.88	503	5.28	—	—	—	—	—	8.31	9.88
	19 H	3.024	44 H	7.003	1511	11.24 ■	756	5.81 ■	501	3.88	—	5.25	6.84	8.40	9.93	11.46	12.98
2.33	36 H	5.730	84 H	13.369	1500	18.89	750	10.71	497	7.26	—	—	—	—	—	—	—
2.40	40 H	6.366	96 H	15.279	1458	20.08	729	11.79	483	8.03	—	—	—	—	—	—	—
	30 H	4.775	72 H	11.459	1458	16.59	729	9.03	483	6.08	—	—	—	—	—	—	—
	20 H	3.183	48 H	7.639	1458	11.77 ■	729	6.11	483	4.08	—	—	6.09	7.68	9.24	10.78	12.31
2.44	18 H	2.865	44 H	7.003	1432	10.71 ■	716	5.52 ■	475	3.68	—	5.35	6.95	8.50	10.04	11.57	13.09
2.50	48 H	7.639	120 H	19.099	1400	21.63	700	13.84	464	9.55	—	—	—	—	—	—	—
	24 H	3.820	60 H	9.549	1400	13.82	700	7.30	464	4.89	—	—	—	—	—	8.52	10.10
	16 H	2.546	40 H	6.366	1400	—	700	4.91 ■	464	3.27 ■	—	6.21	7.77	9.31	10.84	12.36	13.88
2.53	19 H	3.024	48 H	7.639	1385	11.24	693	5.81 ■	459	3.88	—	—	6.20	7.79	9.35	10.89	12.42
2.57	28 H	4.456	72 H	11.459	1361	15.74	681	8.46	451	5.68	—	—	—	—	—	—	—
2.63	32 H	5.093	84 H	13.369	1333	17.40	667	9.60	442	6.48	—	—	—	—	—	—	—
2.67	36 H	5.730	96 H	15.279	1312	18.89	656	10.71	435	7.26	—	—	—	—	—	—	—
	18 H	2.865	48 H	7.639	1312	10.71 ■	656	5.52 ■	435	3.68	—	—	6.30	7.89	9.45	11.00	12.53
2.73	44 H	7.003	120 H	19.099	1283	21.01	642	12.84	425	8.80	—	—	—	—	—	—	—
	22 H	3.501	60 H	9.549	1283	12.84	642	6.71	425	4.48	—	—	—	—	7.10	8.73	10.31
2.75	16 H	2.546	44 H	7.003	1272	—	636	4.91 ■	422	3.27 ■	—	5.55 ^⑤	7.16	8.72	10.26	11.80	13.32
2.77	26 H	4.138	72 H	11.459	1264	14.80	632	7.88	419	5.28	—	—	—	—	—	—	—
2.80	30 H	4.775	84 H	13.369	1250	16.59	625	9.03	414	6.08	—	—	—	—	—	—	—
2.86	21 H	3.342	60 H	9.549	1225	12.31 ■	613	6.41	406	4.28	—	—	—	—	7.20	8.83	10.42
3.00	40 H	6.366	120 H	19.099	1167	20.08	583	11.79	387	8.03	—	—	—	—	—	—	—
	32 H	5.093	96 H	15.279	1167	17.40	583	9.60	387	6.48	—	—	—	—	—	—	—
	28 H	4.456	84 H	13.369	1167	15.74	583	8.46	387	5.68	—	—	—	—	—	—	—
	24 H	3.820	72 H	11.459	1167	13.82	583	7.30	387	4.89	—	—	—	—	—	—	8.08
	20 H	3.183	60 H	9.549	1167	11.77 ■	583	6.11	387	4.08	—	—	—	—	7.30	8.93	10.52
	16 H	2.546	48 H	7.639	1167	—	583	4.91 ■	387	3.27 ■	—	—	6.50	8.10	9.67	11.22	12.75
3.16	19 H	3.024	60 H	9.549	1108	11.24 ■	554	5.81 ■	367	3.88	—	—	—	5.66	7.40	9.04	10.63
3.20	30 H	4.775	96 H	15.279	1094	16.59	547	9.03	363	6.08	—	—	—	—	—	—	—
3.23	26 H	4.138	84 H	13.369	1084	14.80	542	7.88	359	5.28	—	—	—	—	—	—	—

□ Pulley combinations shown are for conventional speed-reduction ratios; same table can be used for speed step-up ratios by making proper correction of driveN speed and belt hp capacity per inch width.

■ Pulley diameter is below recommended minimum; if used reduced belt life must be expected.

† Center distances shown are **theoretical**; manufacturing tolerances of belt length and pulley diameters can affect actual operating drive center distances.



Stock Drive Selection

H 1/2" Pitch

center distance, inches†																		speed ratio □
according to belt pitch length (PL), inches and corresponding code number (bold type)																		
PL: 45.00 90 teeth 450 H	PL: 48.00 96 teeth 480 H	PL: 51.00 102 teeth 510 H	PL: 54.00 108 teeth 540 H	PL: 57.00 114 teeth 570 H	PL: 60.00 120 teeth 600 H	PL: 63.00 126 teeth 630 H	PL: 66.00 132 teeth 660 H	PL: 70.00 140 teeth 700 H	PL: 75.00 150 teeth 750 H	PL: 80.00 160 teeth 800 H	PL: 85.00 170 teeth 850 H	PL: 90.00 180 teeth 900 H	PL: 100.00 200 teeth 1000 H	PL: 110.00 220 teeth 1100 H	PL: 125.00 250 teeth 1250 H	PL: 140.00 280 teeth 1400 H	PL: 170.00 340 teeth 1700 H	
11.21	12.75	14.28	15.80	17.32	18.84	20.35	21.86	23.87	26.39	28.90	31.41	33.91	38.93	43.94	51.45	58.95	73.97	
16.96	18.47	19.97	21.47	22.98	24.48	25.98	27.48	29.48	31.99	34.49	36.99	39.49	44.49	49.50	57.01	64.50	79.50	
—	—	6.68	8.47	10.15	11.77	13.36	14.93	17.00	19.57	22.12	24.66	27.19	32.13	37.28	44.82	52.35	67.38	2.18
13.60	15.12	16.63	18.14	19.65	21.16	22.67	24.17	26.18	28.69	31.19	33.70	36.20	41.21	46.22	53.72	61.23	76.24	
14.38	15.89	17.40	18.91	20.42	21.93	23.43	24.94	26.94	29.45	31.95	34.46	36.96	41.97	46.97	54.48	61.98	76.99	2.20
15.16	16.67	18.18	19.68	21.19	22.69	24.20	25.70	27.71	30.21	32.71	35.22	37.72	42.73	47.73	55.23	62.74	77.74	2.22
8.93	10.52	12.08	13.63	15.17	16.70	18.23	19.75	21.78	24.30	26.82	29.34	31.85	36.87	41.89	49.41	56.92	71.94	2.25
15.93	17.44	18.94	20.45	21.95	23.46	24.96	26.46	28.47	30.97	33.47	35.98	38.48	43.48	48.49	55.99	63.49	78.50	
13.71	15.23	16.75	18.26	19.77	21.28	22.78	24.29	26.30	28.81	31.31	33.82	36.32	41.33	46.34	53.84	61.35	76.36	2.29
11.44	12.97	14.51	16.03	17.55	19.07	20.58	22.09	24.11	26.62	29.13	31.64	34.15	39.17	44.18	51.69	59.20	74.21	2.31
14.50	16.01	17.18	19.03	20.54	22.05	23.55	25.06	27.06	29.57	32.08	34.58	37.08	42.09	47.09	54.60	62.10	77.11	
—	—	9.75	11.36	12.94	14.50	16.05	17.59	19.64	22.18	24.71	27.24	29.76	34.80	39.83	47.36	54.88	69.91	2.33
—	—	—	—	—	12.18	13.78	15.35	17.43	20.01	22.57	25.11	27.65	32.71	37.75	45.29	52.82	67.87	2.40
9.14	10.76	12.30	13.85	15.39	16.93	18.45	19.98	22.01	24.53	27.05	29.57	32.09	37.11	42.13	49.65	57.16	72.19	
13.83	15.35	16.86	18.37	19.89	21.39	22.90	24.41	26.42	28.92	31.43	33.94	36.44	41.45	46.46	53.97	61.47	76.48	
14.61	16.13	17.64	19.15	20.66	22.16	23.67	25.18	27.18	29.69	32.20	34.70	37.20	42.21	47.22	54.72	62.23	77.24	2.44
—	—	—	—	—	—	—	—	—	15.43	18.09	20.71	23.30	28.43	33.52	41.11	48.67	63.75	2.50
11.65	13.20	14.73	16.25	17.77	19.30	20.81	22.33	24.34	26.86	29.37	31.88	34.39	39.41	44.42	51.93	59.44	74.46	
15.39	16.90	18.41	19.92	21.43	22.93	24.44	25.94	27.95	30.45	32.96	35.46	37.97	42.97	47.97	55.48	62.98	77.99	
13.94	15.46	16.98	18.49	20.00	21.51	23.02	24.53	26.54	29.04	31.55	34.06	36.56	41.57	46.58	54.09	61.59	76.60	2.53
9.34	10.94	12.51	14.07	15.61	17.15	18.68	20.20	22.23	24.76	27.28	29.80	32.32	37.35	42.37	49.89	57.40	72.43	2.57
—	—	10.15	11.77	13.36	14.93	16.49	18.03	20.08	22.63	25.17	27.70	30.23	35.22	40.30	47.83	55.36	70.39	2.63
—	—	—	—	10.95	12.59	14.20	15.78	17.89	20.45	23.01	25.56	28.10	33.17	38.21	45.76	53.30	68.34	2.67
14.06	15.58	17.09	18.61	20.35	21.63	23.14	24.64	26.65	29.16	31.67	34.18	36.68	41.69	46.70	54.21	61.71	76.73	
11.87	13.42	14.95	16.48	18.00	19.52	21.04	22.56	24.58	27.09	29.61	32.12	34.63	39.65	44.66	52.17	59.69	74.70	2.73
14.84	16.36	17.87	19.38	20.89	22.40	23.91	25.41	27.42	29.93	32.44	34.94	37.45	42.45	47.46	54.97	62.47	77.48	2.75
9.55	11.15	12.73	14.29	15.83	17.37	18.90	20.43	22.46	24.99	27.52	30.04	32.55	37.58	42.60	50.13	57.64	72.67	2.77
—	—	10.35	11.98	13.57	15.14	16.70	18.25	20.30	22.85	25.39	27.95	30.46	35.50	40.53	48.07	55.59	70.63	2.80
11.98	13.52	15.06	16.59	18.12	19.64	21.16	22.67	24.69	27.21	29.72	32.24	34.75	39.77	44.78	52.30	59.93	74.82	2.86
—	—	—	—	—	—	14.61	16.20	18.29	20.88	18.92	21.56	24.16	29.31	34.42	42.03	49.60	64.70	3.00
—	—	—	—	11.34	12.99	23.67	26.18	28.19	30.69	23.45	26.01	28.55	33.62	38.67	46.23	53.77	68.82	
—	—	10.55	12.18	13.78	15.36	16.92	18.47	20.52	23.08	25.62	28.16	30.69	35.73	40.77	48.31	55.83	70.87	
9.75	11.36	12.94	14.50	16.05	17.59	19.13	20.65	22.69	25.22	27.75	30.27	32.79	37.82	42.84	50.37	57.88	72.91	
12.09	13.63	15.17	16.70	18.23	19.75	21.27	22.79	24.81	27.32	29.84	32.35	34.87	39.88	44.90	52.42	59.93	74.95	
14.28	15.80	17.32	18.84	20.35	21.86	23.37	24.88	26.89	29.40	31.91	34.42	36.92	41.93	46.94	54.45	61.96	76.97	
12.19	13.74	15.28	16.82	18.34	19.87	21.39	22.90	24.92	27.44	29.96	32.47	34.98	40.00	45.02	52.54	60.05	75.07	3.16
—	—	—	—	11.54	13.20	14.81	16.41	18.51	21.10	23.67	26.23	28.79	33.85	38.90	46.46	54.00	69.06	3.20
—	9.05	10.75	12.39	13.99	15.57	17.13	18.68	20.74	23.30	25.85	28.38	30.91	35.96	41.00	48.54	56.07	71.11	3.23

Teeth in Mesh	F factor
6 or more	1.00
5	.80
4	.60
3	.40
2	.20

NOTE: Multiply the H.P. ratings shown in the Drive Section Tables by Factor "F" and the width correction factors shown below:

belt width	1/2	5/8	3/4	7/8	1	1 1/4	1 1/2	1 3/4	2	2 1/2	3	3 1/2	4	5	6	7	8
width factor	.42	.57	.71	.86	1.0	1.29	1.56	1.84	2.14	2.72	3.36	4.06	4.76	6.15	7.50	8.89	10.32

If the number of teeth in mesh (TIM) is 5 or less, the exact TIM is indicated by the number in a circle following the center distance.

H 1/2" Pitch

Stock Drive Selection

speed ratio □	pulley combination				driveN speed and hp capacity						center distance, inches †						
	driveR		driveN		3500 rpm driveR speed		1750 rpm driveR speed		1160 rpm driveR speed		according to belt pitch length (PL), inches and corresponding code number (bold type)						
	code: no. of grooves	pitch diameter in.	code: no. of grooves	pitch diameter in.	driveN speed rpm	hp for 1 inch belt	driveN speed rpm	hp for 1 inch belt	driveN speed rpm	hp for 1 inch belt	PL: 24.00 48 teeth 240 H	PL: 27.00 54 teeth 270 H	PL: 30.00 60 teeth 300 H	PL: 33.00 66 teeth 330 H	PL: 36.00 72 teeth 360 H	PL: 39.00 78 teeth 390 H	PL: 42.00 84 teeth 420 H
3.27	22 H	3.501	72 H	11.459	1069	12.84	535	6.71	354	4.48	—	—	—	—	—	—	8.28
3.33	36 H	5.730	120 H	19.099	1050	18.89	525	10.71	348	7.26	—	—	—	—	—	—	—
	18 H	2.865	60 H	9.549	1050	10.71 ■	525	5.52 ■	348	3.68	—	—	—	—	7.50	9.14	10.77
3.43	28 H	4.456	96 H	15.279	1021	15.74	510	8.46	338	5.68	—	—	—	—	—	—	—
	21 H	3.342	72 H	11.459	1021	12.31 ■	510	6.41	338	4.28	—	—	—	—	—	6.58	8.38
3.50	24 H	3.820	84 H	13.369	1000	13.82	500	7.30	331	4.89	—	—	—	—	—	—	—
3.60	20 H	3.183	72 H	11.459	972	11.77 ■	486	6.11	322	4.08	—	—	—	—	—	—	8.47
3.69	26 H	4.138	96 H	15.279	948	14.80	474	7.88	314	5.28	—	—	—	—	—	—	—
3.75	32 H	5.093	120 H	19.099	933	17.40	467	9.60	309	6.48	—	—	—	—	—	—	—
	16 H	2.546	60 H	9.549	933	—	467	4.91 ■	309	3.27 ■	—	—	—	—	7.69 ⑤	9.34 ⑤	10.94
3.79	19 H	3.024	72 H	11.459	924	11.24 ■	462	5.81 ■	306	3.88	—	—	—	—	—	—	8.57 ⑤
3.82	22 H	3.501	84 H	13.369	916	12.84	458	6.71	304	4.48	—	—	—	—	—	—	—
4.00	30 H	4.775	120 H	19.099	875	16.59	438	9.03	290	6.08	—	—	—	—	—	—	—
	24 H	3.820	96 H	15.279	875	13.82	438	7.30	290	4.89	—	—	—	—	—	—	—
	21 H	3.342	84 H	13.369	875	12.31 ■	438	6.41	290	4.28	—	—	—	—	—	—	—
	18 H	2.865	72 H	11.459	875	10.71 ■	438	5.52 ■	290	3.22	—	—	—	—	—	—	8.67
4.20	20 H	3.183	84 H	13.369	833	11.77 ■	417	6.11	276	4.08	—	—	—	—	—	—	—
4.29	28 H	4.456	120 H	19.099	817	15.74	408	8.46	271	5.68	—	—	—	—	—	—	—
4.36	22 H	3.501	96 H	15.279	802	12.84	401	6.71	266	4.48	—	—	—	—	—	—	—
4.42	19 H	3.024	84 H	13.369	792	11.24 ■	396	5.81 ■	262	3.88	—	—	—	—	—	—	—
4.50	16 H	2.546	72 H	11.459	778	—	389	4.91 ■	258	3.27 ■	—	—	—	—	—	—	8.86 ⑤
4.57	21 H	3.342	96 H	15.279	766	12.31 ■	383	6.41	254	4.28	—	—	—	—	—	—	—
4.62	26 H	4.138	120 H	19.099	758	14.80	379	7.88	251	5.28	—	—	—	—	—	—	—
4.67	18 H	2.865	84 H	13.369	749	10.71 ■	375	5.52 ■	248	3.68	—	—	—	—	—	—	—
4.80	20 H	3.183	96 H	15.279	729	11.77 ■	365	6.11	242	4.08	—	—	—	—	—	—	—
5.00	24 H	3.820	120 H	19.099	700	13.82	350	7.30	232	4.89	—	—	—	—	—	—	—
5.05	19 H	3.024	96 H	15.279	693	11.24 ■	346	5.81 ■	230	3.88	—	—	—	—	—	—	—
5.25	16 H	2.546	84 H	13.369	667	—	333	4.91 ■	221	3.27 ■	—	—	—	—	—	—	—
5.33	18 H	2.865	96 H	15.279	656	10.71 ■	323	5.52 ■	217	3.68	—	—	—	—	—	—	—
5.45	22 H	3.501	120 H	19.099	642	12.84	321	6.71	213	4.48	—	—	—	—	—	—	—
5.72	21 H	3.342	120 H	19.099	613	12.31 ■	306	6.41	203	4.28	—	—	—	—	—	—	—
6.00	20 H	3.183	120 H	19.099	583	11.77 ■	292	6.11	193	4.08	—	—	—	—	—	—	—
	16 H	2.546	96 H	15.279	583	—	292	4.91 ■	193	3.27 ■	—	—	—	—	—	—	—
6.32	19 H	3.024	120 H	19.099	554	11.24 ■	277	5.81 ■	184	3.88	—	—	—	—	—	—	—
6.67	18 H	2.865	120 H	19.099	525	10.71 ■	262	5.52 ■	174	3.68	—	—	—	—	—	—	—
7.50	16 H	2.546	120 H	19.099	467	—	233	4.91 ■	155	3.27 ■	—	—	—	—	—	—	—

□ Pulley combinations shown are for conventional speed-reduction ratios; same table can be used for speed step-up ratios by making proper correction of driveN speed and belt hp capacity per inch width.

■ Pulley diameter is below recommended minimum; if used reduced belt life must be expected.

† Center distances shown are **theoretical**; manufacturing tolerances of belt length and pulley diameters can affect actual operating drive center distances.



Stock Drive Selection

H 1/2" Pitch

center distance, inches†																		speed ratio □
according to belt pitch length (PL), inches and corresponding code number (bold type)																		
PL: 45.00 90 teeth 450 H	PL: 48.00 96 teeth 480 H	PL: 51.00 102 teeth 510 H	PL: 54.00 108 teeth 540 H	PL: 57.00 114 teeth 570 H	PL: 60.00 120 teeth 600 H	PL: 63.00 126 teeth 630 H	PL: 66.00 132 teeth 660 H	PL: 70.00 140 teeth 700 H	PL: 75.00 150 teeth 750 H	PL: 80.00 160 teeth 800 H	PL: 85.00 170 teeth 850 H	PL: 90.00 180 teeth 900 H	PL: 100.00 200 teeth 1000 H	PL: 110.00 220 teeth 1100 H	PL: 125.00 250 teeth 1250 H	PL: 140.00 280 teeth 1400 H	PL: 170.00 340 teeth 1700 H	
9.95	11.56	13.15	14.72	16.27	17.81	19.35	20.88	22.91	25.45	27.98	30.50	33.02	38.05	43.08	50.61	58.12	73.15	3.27
—	—	—	—	—	—	9.55	11.50	13.86	16.64	19.34	21.98	24.59	29.75	34.87	42.48	50.06	65.17	3.33
12.30	13.85	15.39	16.93	18.46	19.98	21.50	23.02	25.04	27.56	30.07	32.59	35.10	40.12	45.14	52.66	60.17	75.19	
—	—	—	—	11.73	13.40	15.02	16.62	18.72	21.32	23.89	26.45	29.00	34.08	39.13	46.70	54.24	69.30	3.43
10.05	11.67	13.26	14.82	16.38	17.92	19.46	20.99	23.03	25.56	28.09	30.62	33.14	38.17	43.19	50.72	58.25	73.27	
....	9.24	10.95	12.59	14.20	15.78	17.35	18.90	20.96	23.52	26.07	28.61	31.14	36.20	41.23	48.78	56.35	71.35	3.50
10.15	11.77	13.36	14.93	16.49	18.03	19.57	21.10	23.14	25.68	28.21	30.73	33.25	38.29	43.31	50.84	58.36	73.40	3.60
—	—	—	10.19	11.93	13.60	15.23	16.83	18.93	21.53	24.11	26.67	29.23	34.31	39.36	46.93	54.48	69.54	3.69
—	—	—	—	—	—	—	—	14.25	17.05	19.75	22.40	25.02	30.19	35.31	42.94	50.52	65.64	3.75
12.51	14.07	15.61	17.15	18.68	20.21	21.73	23.26	25.27	27.79	30.31	32.82	35.34	40.36	45.38	52.90	60.41	75.43	
10.25	11.87	13.47	15.04	16.59	18.14	19.68	21.21	23.25	25.79	28.32	30.85	33.37	38.40	43.43	50.96	58.48	73.52	3.79
—	9.43	11.14	12.79	14.40	15.99	17.56	19.12	21.18	23.74	26.30	28.84	31.37	36.43	41.47	49.01	56.54	71.59	3.82
—	—	—	—	—	—	—	—	14.44	17.25	19.96	22.61	25.23	30.41	35.53	43.16	50.75	65.87	4.00
—	—	—	10.38	12.12	13.80	15.43	17.03	19.14	21.75	24.33	27.00	29.45	34.53	39.59	47.16	54.71	69.78	
—	9.53	11.24	12.89	14.51	15.99	17.67	19.22	21.29	23.85	26.41	28.95	31.49	36.54	41.58	49.13	56.66	71.71	
10.35	11.98	13.57	15.14	16.70	18.25	19.79	21.32	23.36	25.90	28.44	30.96	33.48	38.52	43.55	51.08	58.60	73.64	
—	9.62	11.34	12.99	14.61	16.20	17.77	19.33	21.40	23.97	26.52	29.06	31.60	36.66	41.70	49.25	56.78	71.83	4.20
—	—	—	—	—	—	—	—	14.63	17.45	20.16	22.82	25.45	30.63	35.76	43.39	50.98	66.11	4.29
—	—	—	10.57	12.32	14.00	15.63	17.24	19.36	21.96	24.55	27.12	29.67	34.76	39.82	47.39	54.94	70.01	4.36
—	9.72	11.44	13.10	14.71	16.30	17.88	19.44	21.51	24.08	26.63	29.17	31.71	36.77	41.81	49.37	56.90	71.95	4.42
10.55 ^⑤	12.18 ^⑤	13.78	15.36	16.92	18.47	20.01	21.55	23.59	26.13	28.66	31.19	33.72	38.75	43.78	51.32	58.84	73.88	4.50
—	—	—	10.66	12.42	14.10	15.74	17.34	19.46	22.07	24.66	27.23	29.78	34.87	39.94	47.51	55.06	70.13	4.57
—	—	—	—	—	—	—	12.43	14.82	17.65	20.37	23.03	25.66	30.85	35.98	43.62	51.21	66.34	4.62
—	9.81 ^⑤	11.54	13.20	14.82	16.41	17.99	19.55	21.62	24.19	26.74	29.29	31.83	36.89	41.93	49.48	57.02	72.07	4.67
—	—	—	10.75	12.51	14.20	15.84	17.45	19.57	22.18	24.77	27.34	29.90	34.99	40.05	47.63	55.18	70.25	4.80
—	—	—	—	—	—	—	—	15.02	17.84	20.57	23.24	25.87	31.06	36.20	43.84	51.44	66.57	5.00
—	—	—	10.85	12.61	14.30	15.94	17.55	19.67	22.29	24.87	27.45	30.01	35.10	40.17	47.74	55.30	70.37	5.05
—	10.00 ^⑤	11.73 ^⑤	13.40	15.02	16.62	18.20	19.76	21.84	24.39	26.96	29.51	32.05	37.12	42.16	49.72	57.25	72.31	5.25
—	—	—	10.94 ^⑤	12.71 ^⑤	14.40	16.04	17.65	19.78	22.39	24.98	27.56	30.12	35.21	40.28	47.86	55.41	70.49	5.33
—	—	—	—	—	—	—	12.79	15.21	18.04	20.78	23.45	26.08	31.28	36.42	44.07	51.67	66.81	5.45
—	—	—	—	—	—	—	12.89	15.30	18.14	20.88	23.55	26.19	31.39	36.53	44.18	51.78	66.92	5.72
—	—	—	—	—	—	—	12.98 ^⑤	15.40	18.24	20.98	23.66	26.29	31.50	36.64	44.29	51.90	67.04	6.00
—	—	9.20 ^③	11.13 ^④	12.90 ^⑤	14.59 ^⑤	16.24 ^⑤	17.86	19.99	22.61	25.20	27.78	30.34	35.44	40.51	48.09	55.65	70.73	
—	—	—	—	—	—	—	13.07 ^⑤	15.49	18.34	21.08	23.76	26.40	31.61	36.75	44.41	52.01	67.16	6.32
—	—	—	—	—	—	—	13.16 ^⑤	15.59 ^⑤	18.44	21.18	23.86	26.51	31.71	36.86	44.52	52.13	67.27	6.67
—	—	—	—	—	—	—	13.34 ^④	15.78 ^⑤	18.64 ^⑤	21.38 ^⑤	24.07	26.72	31.93	37.08	44.74	52.35	67.50	7.50

Teeth in Mesh	F factor
6 or more	1.00
5	.80
4	.60
3	.40
2	.20

NOTE: Multiply the H.P. ratings shown in the Drive Section Tables by Factor "F" and the width correction factors shown below:

belt width	1/2	5/8	3/4	7/8	1	1 1/4	1 1/2	1 3/4	2	2 1/2	3	3 1/2	4	5	6	7	8
width factor	.42	.57	.71	.86	1.0	1.29	1.56	1.84	2.14	2.72	3.36	4.06	4.76	6.15	7.50	8.89	10.32

If the number of teeth in mesh (TIM) is 5 or less, the exact TIM is indicated by the number in a circle following the center distance.

XH

7/8" Pitch

Stock Drive Selection

Martin

speed ratio □	pulley combination				driveN speed and hp capacity					
	driveR		driveN		1750 rpm driveR speed		1160 rpm driveR speed		870 rpm driveR speed	
	code: no. of grooves	pitch diameter in.	code: no. of grooves	pitch diameter in.	driveN speed rpm	hp for 1 inch belt	driveN speed rpm	hp for 1 inch belt	driveN speed rpm	hp for 1 inch belt
1.00	40 XH	11.141	40 XH	11.141	1750	22.22	1160	17.44	870	13.79
	32 XH	8.913	32 XH	8.913	1750	19.87	1160	14.57	870	11.29
	30 XH	8.356	30 XH	8.356	1750	19.06	1160	13.79	870	10.63
	28 XH	7.799	28 XH	7.799	1750	18.16	1160	12.97	870	9.97
	26 XH	7.241	26 XH	7.241	1750	17.17	1160	12.13	870	9.29
	24 XH	6.685	24 XH	6.685	1750	16.14 ■	1160	11.29	870	8.61
	22 XH	6.127	22 XH	6.127	1750	15.03 ■	1160	10.41 ■	870	7.92
	20 XH	5.570	20 XH	5.570	1750	13.85 ■	1160	9.51 ■	870	7.23 ■
	18 XH	5.013	18 XH	5.013	1750	—	1160	8.61 ■	870	6.52 ■
1.07	30 XH	8.356	32 XH	8.913	1641	19.06	1088	13.79	816	10.63
	28 XH	7.799	30 XH	8.356	1633	18.16	1083	12.97	812	9.97
1.08	26 XH	7.241	28 XH	7.799	1625	17.17	1077	12.13	808	9.29
	24 XH	6.685	26 XH	7.241	1615	16.14 ■	1071	11.29	803	8.61
1.09	22 XH	6.127	24 XH	6.685	1604	15.03 ■	1063	10.41 ■	798	7.92
1.10	20 XH	5.570	22 XH	6.127	1591	13.85 ■	1055	9.51 ■	791	7.23 ■
1.11	18 XH	5.013	20 XH	5.570	1575	—	1044	8.61 ■	783	6.52 ■
1.14	28 XH	7.799	32 XH	8.913	1531	18.16	1015	12.97	761	9.97
1.15	26 XH	7.241	30 XH	8.356	1517	17.17	1005	12.13	754	9.29
1.17	24 XH	6.685	28 XH	7.799	1500	16.14 ■	994	11.29	746	8.61
1.18	22 XH	6.127	26 XH	7.241	1481	15.03 ■	982	10.41 ■	736	7.92
1.20	40 XH	11.141	48 XH	13.369	1458	22.22	967	17.44	725	13.79
	20 XH	5.570	24 XH	6.685	1548	13.85 ■	967	9.51 ■	725	7.23 ■
1.22	18 XH	5.013	22 XH	6.127	1432	—	949	8.61 ■	712	6.52 ■
1.23	26 XH	7.241	32 XH	8.913	1422	17.17	943	12.13	707	9.29
1.25	32 XH	8.913	40 XH	11.141	1400	19.87	928	14.57	696	11.29
	24 XH	6.685	30 XH	8.356	1400	16.14 ■	928	11.29	696	8.61
1.27	22 XH	6.127	28 XH	7.799	1375	15.03 ■	911	10.41 ■	684	7.92
1.30	20 XH	5.570	26 XH	7.241	1346	13.85 ■	892	9.51 ■	669	7.23 ■
1.33	30 XH	8.356	40 XH	11.141	1313	19.06	870	13.79	653	10.63
	24 XH	6.685	32 XH	8.913	1313	16.14 ■	870	11.29	653	8.61
	18 XH	5.013	24 XH	6.685	1313	—	870	8.61 ■	653	6.52 ■
1.36	22 XH	6.127	30 XH	8.356	1283	15.03 ■	851	10.41 ■	638	7.92
1.40	20 XH	5.570	28 XH	7.799	1250	13.85 ■	829	9.51 ■	621	7.23 ■
1.43	28 XH	7.799	40 XH	11.141	1225	18.16	812	12.97	609	9.97
1.44	18 XH	5.013	26 XH	7.241	1212	—	803	8.61 ■	602	6.52 ■
1.45	22 XH	6.127	32 XH	8.913	1203	15.03 ■	798	10.41 ■	598	7.92

□ Pulley combinations shown are for conventional speed-reduction ratios; same table can be used for speed step-up ratios by making proper correction of driveN speed and belt hp capacity per inch width.

■ Pulley diameter is below recommended minimum; if used reduced belt life must be expected.

† Center distances shown are **theoretical**; manufacturing tolerances of belt length and pulley diameters can affect actual operating drive center distances.



Stock Drive Selection

XH

7/8" Pitch

center distance, inches†													speed ratio □
according to belt pitch length (PL), inches and corresponding code number (bold type)													
PL: 50.75 58 teeth 507 XH	PL: 56.00 64 teeth 560 XH	PL: 63.00 72 teeth 630 XH	PL: 70.00 80 teeth 700 XH	PL: 77.00 88 teeth 770 XH	PL: 84.00 96 teeth 840 XH	PL: 98.00 112 teeth 980 XH	PL: 112.00 128 teeth 1120 XH	PL: 126.00 144 teeth 1260 XH	PL: 140.00 160 teeth 1400 XH	PL: 154.00 176 teeth 1540 XH	PL: 175.00 200 teeth 1750 XH		
—	—	14.000	17.500	21.000	24.500	31.500	38.500	45.500	52.500	59.500	70.000	1.00	
11.375	14.000	17.500	21.000	24.500	28.000	35.000	42.000	49.000	56.000	63.000	73.500		
12.250	14.875	18.375	21.875	25.375	28.875	35.875	42.875	49.875	56.875	63.875	74.375		
13.125	15.750	19.250	22.750	26.250	29.750	36.750	43.750	50.750	57.750	64.750	75.250		
14.000	16.625	20.125	23.625	27.125	30.625	37.625	44.625	51.625	58.625	65.625	76.125		
14.875	17.500	21.000	24.500	28.000	31.500	38.500	45.500	52.500	59.500	66.500	77.000		
15.750	18.375	21.875	25.375	28.875	32.375	39.375	46.375	53.375	60.375	67.375	77.875		
16.625	19.250	22.750	26.250	29.750	33.250	40.250	47.250	54.250	61.250	68.250	78.750		
17.500	20.125	23.625	27.125	30.625	34.125	41.125	48.125	55.125	62.125	69.125	79.625		
11.809	14.435	17.936	21.436	24.936	28.436	35.437	42.437	49.437	56.437	63.437	73.937	1.07	
12.685	15.310	18.811	22.311	25.811	29.312	36.312	43.312	50.312	57.312	64.312	74.812		
13.560	16.185	19.686	23.186	26.686	30.187	37.187	44.187	51.187	58.187	65.187	75.687	1.08	
14.435	17.060	20.561	24.061	27.561	31.062	38.062	45.062	52.062	59.062	66.062	76.562		
15.310	17.936	21.436	24.936	28.436	31.937	38.937	45.937	52.937	59.937	66.937	77.437	1.09	
16.185	18.811	22.311	25.811	29.312	32.812	39.812	46.812	53.812	60.812	67.812	78.312	1.10	
17.060	19.686	23.186	26.686	30.187	33.687	40.687	47.687	54.687	61.686	68.687	79.187	1.11	
12.238	14.865	18.366	21.868	25.369	28.870	35.871	42.872	49.872	56.872	63.872	74.373	1.14	
13.114	15.740	19.242	22.743	26.244	29.745	36.746	43.747	50.747	57.747	64.747	75.248	1.15	
13.989	16.615	20.117	23.619	27.120	30.620	37.621	44.622	51.622	58.622	65.622	76.123	1.17	
14.865	17.491	20.993	24.494	27.995	31.495	38.496	45.497	52.497	59.497	66.497	76.998	1.18	
—	—	—	15.711	19.218	22.723	29.729	36.733	43.736	50.738	57.740	68.241	1.20	
15.740	18.366	21.868	25.369	28.870	32.371	39.372	46.372	53.372	60.372	67.372	77.873		
16.615	19.242	22.743	26.244	29.745	33.246	40.247	47.247	54.247	61.247	68.247	78.748	1.22	
12.660	15.290	18.794	22.297	25.799	29.300	36.303	43.305	50.306	57.306	64.307	74.808	1.23	
—	12.199	15.711	19.218	22.723	26.226	33.222	40.234	47.237	54.239	61.240	71.741	1.25	
13.537	16.166	19.670	23.173	26.674	30.176	37.178	44.180	51.181	58.181	65.182	75.683		
14.413	17.042	20.546	24.048	27.550	31.051	38.051	45.055	52.056	59.056	66.057	76.558	1.27	
15.290	17.918	21.421	24.924	28.425	31.927	38.929	45.930	52.931	59.931	66.932	77.433	1.30	
—	12.611	16.127	19.639	23.146	26.651	33.659	40.664	47.667	54.670	61.672	72.174	1.33	
13.078	15.711	19.218	22.723	26.226	29.729	36.733	43.736	50.738	57.740	64.740	75.242		
16.166	18.794	22.297	25.799	29.300	32.802	39.804	46.806	53.806	60.806	67.807	78.308		
13.955	16.587	20.094	23.599	27.102	30.605	37.608	44.611	51.613	58.615	65.615	76.117	1.36	
14.833	17.464	20.970	24.475	27.978	31.481	38.484	45.486	52.489	59.490	66.490	76.992	1.40	
10.365	13.017	16.540	20.055	23.566	27.073	34.084	41.091	48.096	55.100	62.102	72.606	1.43	
15.711	18.341	21.847	25.351	28.853	32.356	39.359	46.362	53.364	60.365	67.366	77.867	1.44	
13.491	16.127	19.639	23.146	26.651	30.155	37.161	44.166	51.168	58.171	65.173	75.674	1.45	

Teeth in Mesh	F factor
6 or more	1.00
5	.80
4	.60
3	.40
2	.20

NOTE: Multiply the H.P. ratings shown in the Drive Section Tables by Factor "F" and the width correction factors shown below:

belt width	1	1¼	1½	1¾	2	2½	3	3½	4	5	6	7	8	9	10	11	12	13	14
width factor	1.00	1.29	1.56	1.84	2.14	2.72	3.36	4.06	4.76	6.15	7.50	8.89	10.32	11.70	13.10	14.41	15.84	17.16	18.62

If the number of teeth in mesh (TIM) is 5 or less, the exact TIM is indicated by the number in a circle following the center distance.

XH

7/8" Pitch

Stock Drive Selection

Martin

speed ratio □	pulley combination				driveN speed and hp capacity					
	driveR		driveN		1750 rpm driveR speed		1160 rpm driveR speed		870 rpm driveR speed	
	code: no. of grooves	pitch diameter in.	code: no. of grooves	pitch diameter in.	driveN speed rpm	hp for 1 inch belt	driveN speed rpm	hp for 1 inch belt	driveN speed rpm	hp for 1 inch belt
1.50	40 XH	11.141	60 XH	16.711	1167	22.22	773	17.44	580	13.79
	32 XH	8.913	48 XH	13.369	1167	19.87	773	14.57	580	11.29
	20 XH	5.570	30 XH	8.356	1167	13.85 ■	773	9.51 ■	580	7.23 ■
1.54	26 XH	7.241	40 XH	11.141	1138	17.17	754	12.13	566	9.29
1.56	18 XH	5.013	28 XH	7.799	1125	—	746	8.61 ■	559	6.52 ■
1.60	30 XH	8.356	48 XH	13.369	1094	19.06	725	13.79	544	10.63
	20 XH	5.570	32 XH	8.913	1094	13.85 ■	725	9.51 ■	544	7.23 ■
1.67	24 XH	6.685	40 XH	11.141	1050	16.14 ■	696	11.29	522	8.61
	18 XH	5.013	30 XH	8.356	1050	—	696	8.61 ■	522	6.52 ■
1.71	28 XH	7.799	48 XH	13.369	1021	18.16	677	12.97	508	9.97
1.78	18 XH	5.013	32 XH	8.913	984	—	653	8.61 ■	489	6.52 ■
1.80	40 XH	11.141	72 XH	20.054	972	22.22	644	17.44	483	13.78
1.82	22 XH	6.127	40 XH	11.141	963	15.03 ■	638	10.41 ■	479	7.92
1.85	26 XH	7.241	48 XH	13.369	948	17.17	628	12.13	471	9.29
1.88	32 XH	8.913	60 XH	16.711	933	19.87	618	14.57	464	11.29
2.00	30 XH	8.356	60 XH	16.711	875	19.06	580	13.79	435	10.63
	24 XH	6.685	48 XH	13.369	875	16.14 ■	580	11.29	435	8.61
	20 XH	5.570	40 XH	11.141	875	13.85 ■	580	9.51 ■	435	7.23 ■
2.10	40 XH	11.141	84 XH	23.396	833	22.22	552	17.44	414	13.79
2.14	28 XH	7.799	60 XH	16.711	817	18.16	541	12.97	407	9.97
2.18	22 XH	6.127	48 XH	13.369	802	15.03 ■	531	10.41 ■	399	7.92
2.22	18 XH	5.013	40 XH	11.141	788	—	523	8.61 ■	392	6.52 ■
2.25	32 XH	8.913	72 XH	20.054	778	19.87	516	14.57	387	11.29
2.31	26 XH	7.241	60 XH	16.711	758	17.17	502	12.13	377	9.29
2.40	40 XH	11.141	96 XH	26.738	729	22.22	483	17.44	363	13.79
	30 XH	8.356	72 XH	20.054	729	19.06	483	13.79	363	10.63
	20 XH	5.570	48 XH	13.369	729	13.85 ■	483	9.51 ■	363	7.23 ■
2.50	24 XH	6.685	60 XH	16.711	700	16.14 ■	464	11.29	348	8.61
2.57	28 XH	7.799	72 XH	20.054	681	18.16	451	12.97	339	9.97
2.63	32 XH	8.913	84 XH	23.396	667	19.87	442	14.57	331	11.29
2.67	18 XH	5.013	48 XH	13.369	656	—	434	8.61 ■	326	6.52 ■

□ Pulley combinations shown are for conventional speed-reduction ratios; same table can be used for speed step-up ratios by making proper correction of driveN speed and belt hp capacity per inch width.

■ Pulley diameter is below recommended minimum; if used reduced belt life must be expected.

† Center distances shown are **theoretical**; manufacturing tolerances of belt length and pulley diameters can affect actual operating drive center distances.



Stock Drive Selection

XH 7/8" Pitch

center distance, inches†													speed ratio □
according to belt pitch length (PL), inches and corresponding code number (bold type)													
PL: 50.75 58 teeth 507 XH	PL: 56.00 64 teeth 560 XH	PL: 63.00 72 teeth 630 XH	PL: 70.00 80 teeth 700 XH	PL: 77.00 88 teeth 770 XH	PL: 84.00 96 teeth 840 XH	PL: 98.00 112 teeth 980 XH	PL: 112.00 128 teeth 1120 XH	PL: 126.00 144 teeth 1260 XH	PL: 140.00 160 teeth 1400 XH	PL: 154.00 176 teeth 1540 XH	PL: 175.00 200 teeth 1750 XH		
—	—	—	—	16.388	19.930	26.982	34.011	41.031	48.045	55.055	65.566	1.50	
—	—	13.820	17.357	20.881	24.399	31.421	38.435	45.446	52.453	59.458	69.964		
14.370	17.006	20.515	24.022	27.528	31.031	38.037	45.041	52.044	59.046	66.048	76.550		
10.761	13.421	16.951	20.470	23.983	27.493	34.507	41.517	48.523	55.528	62.532	73.036	1.54	
15.249	17.883	21.392	24.899	28.403	31.907	38.913	45.917	52.919	59.922	66.923	77.425	1.56	
—	—	14.216	17.761	21.290	24.811	31.839	38.857	45.869	52.878	59.885	70.393	1.60	
13.898	16.540	20.055	23.566	27.073	30.580	37.588	44.594	51.598	58.601	65.604	76.107		
11.152	13.820	17.357	20.881	24.399	27.911	34.929	41.941	48.949	55.955	62.961	73.466	1.67	
14.781	17.420	20.934	24.443	27.950	31.455	38.465	45.474	52.474	59.476	66.479	76.982		
—	11.022	14.609	18.161	21.696	25.221	32.255	39.276	46.291	53.302	60.311	70.820	1.71	
14.305	16.951	20.470	23.983	27.493	31.001	38.013	45.021	52.026	59.030	66.034	76.538	1.78	
—	—	—	—	—	16.909	24.087	31.181	38.240	45.280	52.310	62.842	1.80	
11.540	14.216	17.761	21.290	24.811	28.326	35.348	42.363	49.374	56.382	63.388	73.895	1.82	
—	11.399	14.998	18.559	22.100	25.630	32.669	39.694	46.712	53.725	60.736	71.247	1.85	
—	—	—	14.341	17.950	21.521	28.609	35.662	42.697	49.722	56.741	67.262	1.88	
—	—	—	14.716	18.335	21.914	29.102	36.070	43.110	50.138	57.159	67.684	2.00	
—	11.772	15.386	18.954	22.502	26.036	33.081	40.111	47.132	54.147	61.159	71.672		
11.924	14.609	18.161	21.696	25.221	28.740	35.767	42.784	49.797	56.807	63.815	74.323		
—	—	—	—	—	—	20.974	28.207	35.342	42.432	49.495	60.063	2.10	
—	—	—	15.087	18.717	22.304	29.411	36.478	43.522	50.553	57.578	68.104	2.14	
—	12.143	15.770	19.348	22.901	26.439	33.492	40.526	47.549	54.568	61.581	72.097	2.18	
12.304	14.998	18.559	22.100	25.630	29.152	36.183	43.204	50.219	57.230	64.240	74.750	2.22	
—	—	—	—	—	18.400	25.643	32.776	39.860	46.919	53.962	64.509	2.25	
—	—	—	15.457	19.098	22.691	29.810	36.883	43.932	50.968	57.994	68.524	2.31	
—	—	—	—	—	—	—	25.025	32.304	39.477	46.596	57.218	2.40	
—	—	—	—	15.035	18.769	26.028	33.170	40.262	47.325	54.373	64.924		
—	12.513	16.152	19.738	23.298	26.842	33.900	40.940	47.967	54.987	62.003	72.520		
—	—	—	15.824	19.476	23.078	30.209	37.287	44.342	51.380	58.410	68.943	2.50	
—	—	—	—	15.388	19.135	26.411	33.564	40.662	47.731	54.782	65.337	2.57	
—	—	—	—	—	—	22.446	29.739	36.913	44.028	51.111	61.700	2.63	
10.056	12.879	16.531	20.128	23.693	27.241	34.308	41.352	48.382	55.405	62.423	72.943	2.67	

Teeth in Mesh	F factor
6 or more	1.00
5	.80
4	.60
3	.40
2	.20

NOTE: Multiply the H.P. ratings shown in the Drive Section Tables by Factor "F" and the width correction factors shown below:

belt width	1	1¼	1½	1¾	2	2½	3	3½	4	5	6	7	8	9	10	11	12	13	14
width factor	1.00	1.29	1.56	1.84	2.14	2.72	3.36	4.06	4.76	6.15	7.50	8.89	10.32	11.70	13.10	14.41	15.84	17.16	18.62

If the number of teeth in mesh (TIM) is 5 or less, the exact TIM is indicated by the number in a circle following the center distance.

XH

7/8" Pitch

Stock Drive Selection

Martin

speed ratio □	pulley combination				driveN speed and hp capacity					
	driveR		driveN		1750 rpm driveR speed		1160 rpm driveR speed		870 rpm driveR speed	
	code: no. of grooves	pitch diameter in.	code: no. of grooves	pitch diameter in.	driveN speed rpm	hp for 1 inch belt	driveN speed rpm	hp for 1 inch belt	driveN speed rpm	hp for 1 inch belt
2.73	22 XH	6.127	60 XH	16.711	642	15.03 ■	425	10.41 ■	319	7.92
2.77	26 XH	7.241	72 XH	20.054	632	17.17	419	12.13	314	9.29
2.80	30 XH	8.356	84 XH	23.396	625	19.06	414	13.79	311	10.63
3.00	40 XH	11.141	120 XH	33.423	583	22.22	387	17.44	290	13.79
	32 XH	8.913	96 XH	26.738	583	19.87	387	14.57	290	11.29
	28 XH	7.799	84 XH	23.396	583	18.16	387	12.97	290	9.97
	24 XH	6.685	72 XH	20.054	583	16.14 ■	387	11.29	290	8.61
3.20	20 XH	5.570	60 XH	16.711	583	13.85 ■	387	9.51 ■	290	7.23 ■
	30 XH	8.356	96 XH	26.738	547	19.06	363	13.79	272	10.63
3.23	26 XH	7.241	84 XH	23.396	542	17.17	359	12.13	269	9.29
3.27	22 XH	6.127	72 XH	20.054	535	15.03 ■	355	10.41 ■	266	7.92
3.33	18 XH	5.013	60 XH	16.711	525	—	348	8.61 ■	261	6.52 ■
3.43	28 XH	7.799	96 XH	26.738	510	18.16	338	12.97	254	9.97
3.50	24 XH	6.685	84 XH	23.396	500	16.14 ■	331	11.29	249	8.61
3.60	20 XH	5.570	72 XH	20.054	486	13.85 ■	322	9.51 ■	242	7.23 ■
3.69	26 XH	7.241	96 XH	26.738	474	17.17	314	12.13	236	9.29
3.75	32 XH	8.913	120 XH	33.423	467	19.87	309	14.57	232	11.29
3.82	22 XH	6.127	84 XH	23.396	458	15.03 ■	304	10.41 ■	228	7.92
4.00	30 XH	8.356	120 XH	33.423	438	19.06	290	13.79	218	10.63
	24 XH	6.685	96 XH	26.738	438	16.14	290	11.29	218	8.61
	18 XH	5.013	72 XH	20.054	438	—	290	8.61 ■	218	6.52 ■
4.20	20 XH	5.570	84 XH	23.396	416	13.85 ■	276	9.51 ■	207	7.23 ■
4.29	28 XH	7.799	120 XH	33.423	408	18.16	270	12.97	203	9.97
4.36	22 XH	6.127	96 XH	26.738	401	15.03 ■	266	10.41 ■	200	7.92
4.62	26 XH	7.241	120 XH	33.423	379	17.17	251	12.13	188	9.29
4.67	18 XH	5.013	84 XH	23.396	375	—	249	8.61 ■	186	6.52 ■
4.80	20 XH	5.570	96 XH	26.738	365	13.85 ■	242	9.51 ■	181	7.23 ■
5.00	24 XH	6.685	120 XH	33.423	350	16.14 ■	232	11.29	173	8.61
5.33	18 XH	5.013	96 XH	26.738	328	—	217	8.61 ■	162	6.52 ■
5.45	22 XH	6.127	120 XH	33.423	321	15.03 ■	212	10.41 ■	159	7.92
6.00	20 XH	5.570	120 XH	33.423	292	13.85 ■	193	9.51 ■	145	7.23 ■
6.67	18 XH	5.013	120 XH	33.423	262	—	174	8.61 ■	130	6.52 ■

□ Pulley combinations shown are for conventional speed-reduction ratios; same table can be used for speed step-up ratios by making proper correction of driveN speed and belt hp capacity per inch width.

■ Pulley diameter is below recommended minimum; if used reduced belt life must be expected.

† Center distances shown are **theoretical**; manufacturing tolerances of belt length and pulley diameters can affect actual operating drive center distances.



Stock Drive Selection

XH 7/8" Pitch

center distance, inches†												
according to belt pitch length (PL), inches and corresponding code number (bold type)												
PL: 50.75 58 teeth 507 XH	PL: 56.00 64 teeth 560 XH	PL: 63.00 72 teeth 630 XH	PL: 70.00 80 teeth 700 XH	PL: 77.00 88 teeth 770 XH	PL: 84.00 96 teeth 840 XH	PL: 98.00 112 teeth 980 XH	PL: 112.00 128 teeth 1120 XH	PL: 126.00 144 teeth 1260 XH	PL: 140.00 160 teeth 1400 XH	PL: 154.00 176 teeth 1540 XH	PL: 175.00 200 teeth 1750 XH	speed ratio □
—	—	12.417	16.190	19.853	23.463	30.604	37.691	44.749	51.792	58.825	69.360	2.73
—	—	—	—	15.740	19.500	26.793	33.956	41.062	48.136	55.191	65.750	2.77
—	—	—	—	—	—	22.811	30.118	37.302	44.425	51.513	62.107	2.80
—	—	—	—	—	—	—	—	25.528	33.107	40.457	51.286	3.00
—	—	—	—	—	—	18.851	26.485	33.819	41.028	48.173	58.824	
—	—	—	—	—	—	23.175	30.497	37.691	44.820	51.913	62.513	3.20
—	—	—	—	16.090	19.864	27.174	34.347	41.460	48.539	55.598	66.162	
—	—	12.764	16.553	20.228	23.846	30.998	38.092	45.156	52.203	59.238	69.778	3.27
—	—	—	—	—	—	19.191	26.849	34.195	41.414	48.565	59.223	
—	—	—	—	—	15.828	23.538	30.875	38.077	45.214	52.313	62.919	3.23
—	—	—	—	16.440	20.227	27.553	34.738	41.857	48.941	56.004	66.574	3.27
—	—	13.110 ^⑥	16.916	20.602	24.228	31.391	38.492	45.561	52.612	59.651	70.193	3.33
—	—	—	—	—	—	19.531	27.210	34.570	41.798	48.956	59.622	3.43
—	—	—	—	—	16.163	23.899	31.252	38.464	45.608	52.712	63.323	3.50
—	—	—	—	16.788 ^⑥	20.588	27.931	35.126	42.253	49.343	56.410	66.983	3.60
—	—	—	—	—	—	19.870	27.570	34.944	42.181	49.347	60.019	3.69
—	—	—	—	—	—	—	—	26.908	34.553	41.947	52.822	3.75
—	—	—	—	—	16.496	24.259	31.627	38.849	46.000	53.109	63.727	3.82
—	—	—	—	—	—	—	—	27.251	34.913	42.318	53.204	4.00
—	—	—	—	—	—	20.207	27.930	35.317	42.564	49.736	60.416	
—	—	—	13.086 ^⑤	17.134 ^⑥	20.948 ^⑥	28.308	35.514	42.648	49.743	56.814	67.393	4.20
—	—	—	—	—	16.830 ^⑥	24.618	32.001	39.233	46.392	53.506	64.130	
—	—	—	—	—	—	—	—	27.593	35.271	42.688	53.586	4.29
—	—	—	—	—	—	20.544	28.289	35.690	42.945	50.124	60.813	4.36
—	—	—	—	—	—	—	—	27.935	35.630	43.057	53.967	4.62
—	—	—	—	—	17.161 ^⑤	24.977 ^⑥	32.374	39.617	46.782	53.902	64.532	4.67
—	—	—	—	—	—	20.880 ^⑥	28.647	36.061	43.326	50.512	61.208	4.80
—	—	—	—	—	—	—	—	28.277	35.987	43.425	54.347	5.00
—	—	—	—	—	—	21.215 ^⑤	29.004 ^⑥	36.431	43.705	50.899	61.603	5.33
—	—	—	—	—	—	—	—	28.617	36.344	43.793	54.727	5.45
—	—	—	—	—	—	—	20.406 ^⑤	28.956 ^⑥	36.699	44.160	55.106	6.00
—	—	—	—	—	—	—	20.717 ^⑤	29.296 ^⑥	37.055 ^⑥	44.527	55.484	6.67

Teeth in Mesh	F factor
6 or more	1.00
5	.80
4	.60
3	.40
2	.20

NOTE: Multiply the H.P. ratings shown in the Drive Section Tables by Factor "F" and the width correction factors shown below:

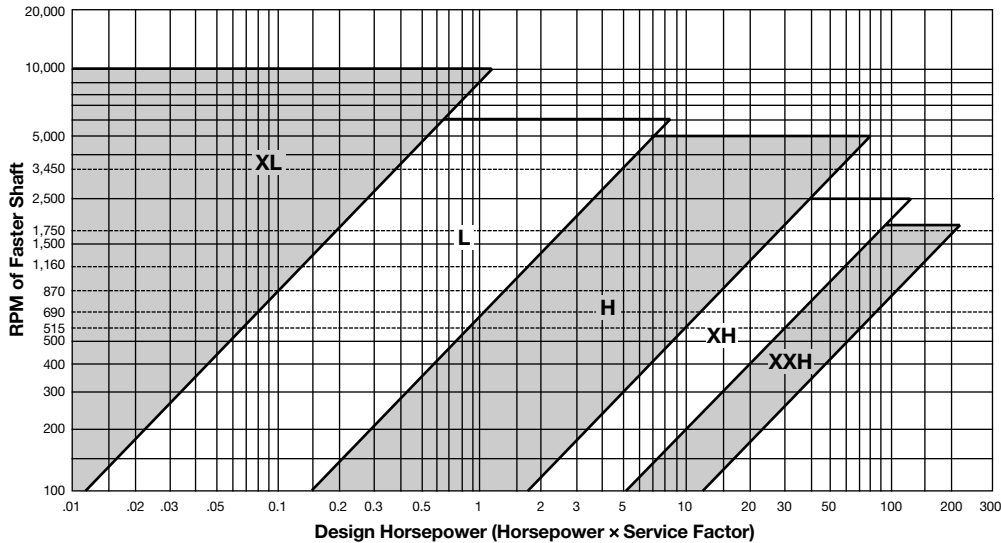
belt width	1	1¼	1½	1¾	2	2½	3	3½	4	5	6	7	8	9	10	11	12	13	14
width factor	1.00	1.29	1.56	1.84	2.14	2.72	3.36	4.06	4.76	6.15	7.50	8.89	10.32	11.70	13.10	14.41	15.84	17.16	18.62

If the number of teeth in mesh (TIM) is 5 or less, the exact TIM is indicated by the number in a circle following the center distance.

Timing Pulley Other Speeds/ Speed-Up Drives



TABLE 3. Cross Section Selection Chart



Other Speeds or Speed-Up Drive Selection

- The service factor and belt pitch are selected the same as outlined in Steps 1 and 2. Be sure to include the additional factor from Table 3 in your service factor for speed-up drives.
- Turn to the Drive Selection Tables for the belt pitch selected.
- Divide the rpm of the faster machine by the rpm of the slower machine. This gives the speed ratio. (If you are replacing a chain or gear drive, divide the number of teeth in the larger sprocket or gear by the number of teeth in the smaller sprocket or gear. If you are replacing a flat belt or conventional V-belt drive, divide the diameter of the larger pulley or sheave by the diameter of the smaller pulley or sheave.)
- Read the Speed Ratio column of the Table for the belt pitch selected to find the stock speed ratio nearest the ratio you require. Read across to the right to find the pulley combination, center distance, belt number, and Teeth in Mesh (TIM) factor. If you cannot find a speed ratio sufficiently close, use Non-Stock Drive Design.
- Turn to basic horsepower rating table for the belt pitch selected. Read down the left-hand column to find the rpm of your **faster** shaft and then across to the right. The horsepower rating per inch of belt width will be found under the column headed by the pulley size you have selected.
- If the number of teeth in mesh is five or less, you will have a TIM factor found in Step D. Multiply the basic horsepower per inch of belt width found in Step E by the TIM factor (where applicable) and this will give you the corrected horsepower per inch of belt width.
- Divide the design horsepower found in Step A by the corrected horsepower to find the **NOMINAL BELT WIDTH**. This will give you your final belt and pulley width. If the answer contains a fraction, use the next largest stock width.

Most drives can be selected by using the Stock Drive Selection Procedures with the pre-figured drive tables. However, if your drive requires the use of one or more non-stock pulleys due to unusual application or special specifications the following steps can be used to select the correct timing pulleys for your application.

THE FOLLOWING INFORMATION WILL BE REQUIRED TO SELECT THE DRIVE:

1. HORSEPOWER AND TYPE OF DRIVER.
2. THE RPM OF THE DRIVER.
3. THE RPM OF THE DRIVEN MACHINE.
4. SHAFT DIAMETERS AND KEYSEAT DIMENSIONS.
5. THE EXACT OR APPROXIMATE CENTER DISTANCE REQUIRED.
6. OPERATING CONDITIONS OF THE DRIVE.

AN EXAMPLE OF A NON-STOCK TIMING PULLEY DRIVE:

1. THE DRIVER IS A 40 HP, NEMA DESIGN "B" MOTOR.
2. THE SPEED OF THE DRIVER MOTOR IS 1800 RPM (1750 RPM FULL LOAD SPEED).
3. A HAMMERMILL IS TO BE DRIVEN AT 1250 RPM.
4. THE MOTOR SHAFT IS 1 $\frac{1}{4}$ "; AGITATOR SHAFT IS 1 $\frac{5}{16}$ ". BOTH HAVE STANDARD KEYSEATS.
5. THE DRIVE WILL REQUIRE A CENTER DISTANCE OF APPROXIMATELY 24".
6. THE DRIVE IS OPERATED 8 HOURS PER DAY.

SELECTION PROCEDURE

Step 1 — Find the Design Horsepower

- A. Refer to Table 1, from "Stock Drive Selection" for the class driver and to Table 2 for the type driven machine. The class in the Service Factors Table will correspond to the class determined in the Driver Classification Table. Check for any additional Service Factor required for unusual conditions — such as continuous operation and/or use of an idler.

Example: Table 1 places the driver in Class II, and Table 2 shows a hammermill in Class II to have a Service Factor of 1.9.

- B. The design horsepower is found by multiplying the full load horsepower by the Service Factor. This is the horsepower for which you are going to select the drive.

Example: Design horsepower = 40 × 1.9 or 76 hp.

Step 2 — Choose the Belt Pitch

Locate the rpm of the faster shaft on the vertical line of Table 4. Follow this line up to the point where the design horsepower selected in Step 1 intersects this speed. The point at which the lines intersect indicates the recommended belt pitch for your drive.

Example: The table indicates that a $\frac{7}{8}$ inch pitch (XH) belt should be selected.

Step 3 — Find the Speed Ratio

Divide the rpm of the faster machine by the rpm of the slower machine. This gives the speed ratio.

$$\frac{\text{Faster rpm}}{\text{Slower rpm}} = \text{ratio}$$

If you are replacing a chain or gear drive, divide the number of teeth on the larger sprocket or gear by the number of teeth on the smaller.

Example:

$$\frac{1750}{1250} = 1.4 \text{ ratio}$$

Step 4 — Choose the Pulley Sizes

- A. You should try to use one stock pulley for the drive, preferably the larger. If both are standard size you can use the stock number selection tables by the method described under "Stock Drive Selection."
- B. If a minimum or maximum diameter for one of the pulleys is determined by the application, start with that diameter (or number of grooves). Be sure to check for the minimum recommended number of grooves for the belt pitch selected. (page K-4).

Example: The Minimum Pulley Diameter Table indicates the recommended number of grooves is 26.

- C. If no limitations are placed on diameter, multiply the minimum recommended number of grooves for the small pulley by the ratio found in Step 3 to obtain the number of grooves required on the large pulley. If possible, for a more economical drive, use the next larger size stock pulley. To maintain ratio, divide the number of grooves in the large pulley by the ratio — this will give the number of grooves that must be used in the small pulley.

Example: The recommended number of grooves is 26 as determined by Step B above.

Multiply this size by the ratio determined in Step 3 to find the size of the large pulley:

$$26 \times 1.4 = 35.4$$

The next larger stock size is a 40 groove pulley. We divide 40 by the ratio (1.4) to find the number of grooves in the small pulley:

$$\frac{40}{1.4} = 28.6$$

In this case, we use a stock 40 groove pulley. Our pulley sizes have now been determined as:

$$\text{Driver} = 29 \text{ XH, Driven} = 40 \text{ XH}$$

- D. Calculate the RIM speed. RIM speed equals 0.262 × OD of either pulley × rpm of same pulley.

Example: the diameter of our example pulley (29 XH) is determined as 7.967 from the Pulley Diameter Tables.

Non-Stock Drive Design



$$7.967 \times .262 \times 1750 = 3653 \text{ fpm}$$

If RIM speed exceeds 65 fpm, consult *Martin*.

Step 5 — Find Belt Length and Center Distance

A. To calculate belt length when center distance is known:

$$L = 2C + 1.57 (D + d) + \frac{(D - d)^2}{4C}$$

Correct centers by adding to (if standard belt is longer) or subtracting from (if standard belt is shorter) one-half the difference between the calculated belt length and standard belt length.

Example: Calculating the belt length on our example drive using a 24 inch center distance:

$$L = 2(24) + 1.57(11.141 + 8.077) + \frac{(11.141 - 8.077)^2}{4(24)} = 78.270$$

From Stock Selection tables standard pitch length is 77.0 inches; therefore, we correct answer to find adjusted center distance:

$$78.270 - 77.0 = 1.270, \quad \frac{1.270}{2} = .635$$

24.0" - .635" = 23.365" Center Distance with 770XH Belt.

B. To calculate centers when belt length is known:

$$C = \frac{b + \sqrt{b^2 - 32(D - d)^2}}{16}$$

Calculating our example center distance using a standard 77.0" pitch length belt:

$$b = 4(77) - 6.28318(11.141 + 8.077) = 187.25$$

$$C = \frac{187.25 + \sqrt{(187.25)^2 - 32(11.141 - 8.077)^2}}{16} = 23.356"$$

VALUES:

- C = Center Distance
- L = Belt Pitch Length
- D = Pitch Diameter Large Pulley
- d = Pitch Diameter Small Pulley
- b = 4L - 6.28318 (D + d)

NOTE: Use these formulas only when you have adjustment available on centers. For fixed center applications, where exact centers are required, consult *Martin*.

Step 6 — Determine Drive Width

A. Turn to the basic horsepower rating table for the belt pitch selected. Read down the left hand column to find the rpm of your faster shaft and then across to the right and the horsepower rating per inch of belt width will be found under the column headed by the pulley size you have selected. Interpolate for sizes not shown.

Example: By interpolating the XH HP Rating Table we find that our example pulley (1750 rpm for the fastest shaft, with 29 teeth in the pulley) has 18.61 hp rating per inch of belt width.

B. Find the number of teeth in mesh.

$$\text{Arc of Contact} = 180^\circ - \frac{60(D - d)}{C}$$

$$\text{Teeth in Mesh} = \frac{\text{Arc of Contact} \times n}{360}$$

n = Number of teeth in small pulley

Example: The number of teeth in mesh for this application:

$$Ac = 180 - \frac{60(11.141 - 8.077)}{23.365} = 172.132$$

$$\text{TIM} = \frac{172.132 \times 29}{360} = 13.866$$

TIM	F factor
6 or more	1.00
5	.80
4	.60
3	.40
2 or more	.20

TEETH IN MESH FACTOR

If the number of teeth in mesh is 5 or less, multiply the horsepower per inch of belt width by the TIM factor. This is the corrected horsepower per inch of belt width.

Example: No TIM factor correction is necessary for our example, since the multiple for 6 or more teeth in mesh is 1.00.

C. Divide the design horsepower found in Step 1b by the corrected horsepower per inch of belt width found in Steps 6a and 6b to find the nominal belt width. If the answer contains a fraction, use the next largest stock width.

Example:

$$\frac{29}{18.61} = 1.56 \text{ nominal width}$$

(Continued on Page K-63)



Nonstock Drive Design

Below we find that a 1.56 width Factor corresponds more closely to a 1½" belt width for ⅝ belt pitch or the next *stock* width of 2". As indicated by the shaded area.

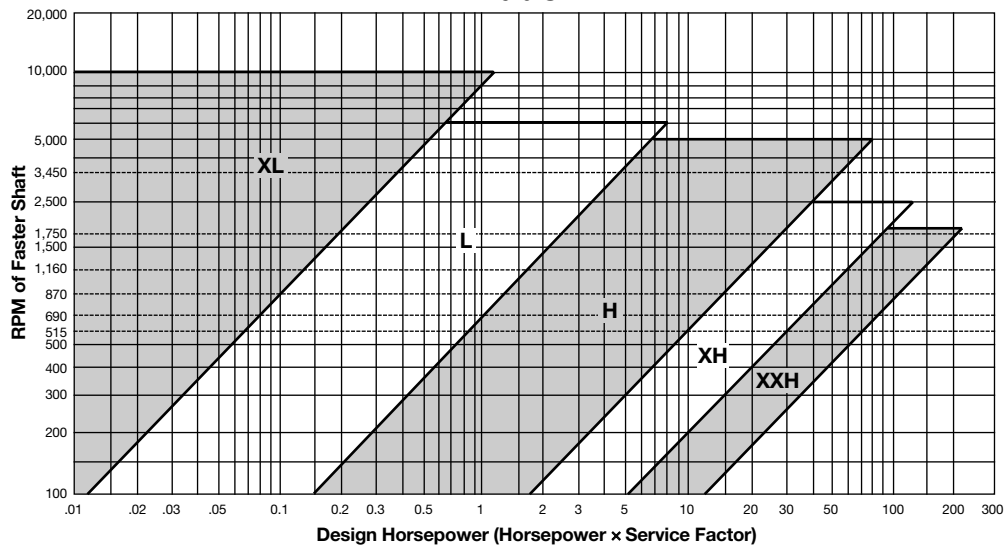
Therefore, our final belt width will be 2.0".

Order *Martin*

- (1) TB 40 XH200
- (1) 4040 × 1¹⁵/₁₆ bushing
- (1) M-T-O TB 29 XH200
- (1) 3535 × 1¹/₈ bushing

(A re-check of bore limits, number of teeth, and width from the Stock Pulley Dimensions, shows that all material is stock.)

Table 4



Allowable Working Tensions (T.) in Pounds

Belt Width	¼	⅜	½	⅝	¾	⅞	1	1¼	1½	1¾	2	2½	3	3½	4	5	6	7	8	9	10	11	12	13	14		
⅜"	6	8	11	14	17	23	29	35	41	53	64																
½"			15	19	23	31	39	47	55	71	86	101	118	150	185												
¾"				59	80	99	120	140	181	218	258	300	381	470	568	666	861	1050	1245	1445							
1"								191	246	298	351	409	520	642	775	909	1175	1433	1698	1971	2235	2502	2752	3025	3278	3555	
1¼"								234	302	365	431	501	636	786	950	1114	1439	1755	2080	2415	2738	3065	3372	3707	4015	4357	
Width Factor	.15	.21	.28	.35	.42	.57	.71	.86	1.0	1.29	1.56	1.84	2.14	2.72	3.36	4.06	4.76	6.15	7.50	8.89	10.32	11.70	13.10	14.41	15.84	17.16	18.62

Shaded Areas are Stock Width Belts

PULLEYS

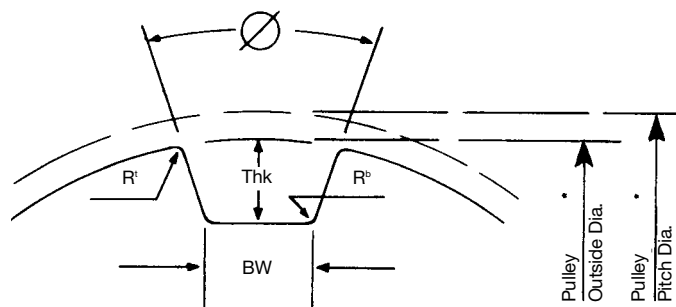
Timing Pulley Information



The Positive Drive belt should be installed with a snug fit, neither too tight nor too loose. The belt's positive grip eliminates the need for initial tension. Consequently, a belt, when installed with snug fit (that is, not too taut), assures longer life, less wear on bearings, quieter operation. Pre-loading, often the cause of premature failure, is not necessary. A belt in either the 3/8- or 1 1/4-inch pitch can usually be installed slightly slack (because of deeper tooth section) unless shock loads of reversals are abnormally high. For additional recommendations on timing belt installation and tensioning, please contact the belt manufacturer.

Note:
Experience reveals that an extremely high percentage of Timing Pulley difficulties are caused by using pulley diameters that are too small. As a rule of thumb, a drive carrying the full recommended design loading per inch of belt width should not have a pulley diameter less than the drive belt width — even though the pulley diameter falls within the acceptable range shown in the minimum pulley diameter table.

TIMING PULLEY GROOVE PROFILES



Stock Belt Pitches	Approx. Pitch	Belt Tooth Profile	BW	Thk	O	R ^b	R ^t
3/8 (XL)	.187	F	.068 +.002 -.000	.060 +.000 -.002	40° ± 3°	1/64 MAX.	.015 +.002 -.000
3/8 (XL)	.200	H	.052 +.002 -.000	.065 +.000 -.003	50° ± 3°	1/64 MAX.	.025 +.002 -.000
3/8 (XL)	.234	D	.080 +.003 -.000	.073 +.000 -.004	40° ± 3°	1/32 MAX.	.030 +.005 -.000
3/8 (L)	.375	C	.120 +.004 -.000	.105 +.000 -.004	40° ± 3°	3/64 MAX.	.046 +.005 -.000
1/2 (H)	.500	B	.165 +.005 -.000	.120 +.000 -.005	40° ± 3°	1/16 MAX.	1/16 +.005 -.000
7/8 (XH)	.875	G	.311 +.006 -.000	.281 +.000 -.005	40° ± 3°	5/64 MAX.	3/32 +.005 -.000
1 1/4 (XXH)	1.250	E	.479 +.007 -.000	.406 +.000 -.005	40° ± 3°	1/32 MAX.	1/8 +.005 -.000

PULLEYS



Horsepower Ratings

XL

XL - 1/8" Pitch

RPM of Faster Shaft	HP for a 1" Wide Belt for Various Pulleys*												
	10XL .637 P.D.	11XL .700 P.D.	12XL .764 P.D.	14XL .891 P.D.	15XL .955 P.D.	16XL 1.019 P.D.	18XL 1.146 P.D.	20XL 1.273 P.D.	21XL 1.337 P.D.	23XL 1.401 P.D.	24XL 1.528 P.D.	28XL 1.783 P.D.	30XL 1.910 P.D.
100	.02	.02	.02	.03	.03	.03	.04	.04	.04	.04	.05	.06	.06
200	.04	.04	.05	.06	.06	.07	.07	.08	.08	.09	.10	.11	.12
300	.06	.07	.07	.09	.09	.10	.11	.12	.13	.13	.14	.17	.18
400	.08	.09	.10	.11	.12	.13	.14	.16	.17	.17	.19	.23	.24
500	.10	.11	.12	.14	.15	.16	.18	.20	.21	.22	.24	.29	.30
600	.12	.13	.14	.17	.18	.19	.22	.24	.26	.27	.29	.34	.37
700	.14	.15	.17	.20	.21	.23	.26	.28	.30	.31	.34	.40	.43
800	.16	.17	.19	.23	.24	.26	.30	.33	.34	.36	.40	.46	.49
900	.18	.20	.22	.26	.27	.30	.33	.37	.39	.40	.44	.51	.55
1000	.20	.22	.24	.29	.31	.33	.37	.41	.43	.45	.49	.57	.62
1100	.22	.25	.26	.31	.34	.36	.40	.45	.47	.49	.54	.63	.68
1160	.23	.26	.28	.33	.36	.38	.42	.46	.50	.52	.56	.66	.71
1200	.24	.27	.29	.34	.37	.39	.44	.49	.52	.54	.59	.68	.74
1300	.26	.29	.31	.37	.40	.42	.48	.53	.56	.58	.64	.74	.80
1400	.28	.31	.34	.40	.43	.46	.52	.57	.60	.63	.69	.80	.86
1500	.30	.34	.36	.43	.46	.49	.55	.61	.64	.67	.74	.86	.92
1600	.33	.36	.40	.46	.49	.53	.59	.65	.69	.72	.79	.91	.98
1700	.35	.38	.42	.49	.52	.56	.63	.67	.73	.77	.83	.97	1.04
1750	.36	.39	.43	.50	.53	.58	.64	.72	.75	.79	.86	1.00	1.07
1800	.37	.40	.44	.51	.55	.59	.66	.74	.77	.81	.88	1.03	1.10
2000	.41	.45	.49	.57	.62	.65	.74	.82	.86	.90	.98	1.15	1.23
2200	.45	.49	.54	.63	.68	.72	.81	.90	.94	.99	1.08	1.25	1.34
2400	.49	.54	.59	.68	.74	.79	.88	.98	1.03	1.07	1.18	1.37	1.46
2600	.53	.58	.64	.74	.80	.85	.96	1.06	1.12	1.17	1.25	1.48	1.58
2800	.57	.63	.69	.80	.86	.92	1.03	1.15	1.20	1.26	1.37	1.59	1.71
3000	.61	.67	.74	.86	.92	.98	1.10	1.23	1.28	1.34	1.46	1.71	1.82
3200	.65	.72	.79	.91	.98	1.05	1.18	1.30	1.37	1.43	1.56	1.81	1.94
3400	.69	.77	.83	.97	1.04	1.11	1.25	1.38	1.45	1.52	1.66	1.92	2.05
3500	.72	.79	.86	1.00	1.07	1.15	1.28	1.42	1.49	1.57	1.71	1.98	2.11
3600	.74	.81	.88	1.03	1.10	1.18	1.32	1.46	1.54	1.61	1.75	2.03	2.16
3800	.78	.83	.93	1.09	1.17	1.24	1.39	1.54	1.62	1.70	1.84	2.13	2.27
4000	.82	.90	.98	1.15	1.23	1.30	1.46	1.63	1.71	1.78	1.94	2.24	2.39
4200	.86	.94	1.03	1.20	1.28	1.37	1.53	1.71	1.78	1.86	2.03	2.35	2.50
4400	.90	.99	1.08	1.25	1.34	1.43	1.61	1.78	1.86	1.95	2.12	2.45	2.61
4600	.94	1.03	1.13	1.31	1.40	1.50	1.68	1.86	1.95	2.04	2.21	2.55	2.71
4800	.98	1.07	1.18	1.37	1.46	1.56	1.75	1.94	2.03	2.13	2.30	2.65	2.82
5000	1.02	1.12	1.23	1.42	1.52	1.63	1.82	2.01	2.11	2.20	2.39	2.75	2.92
5500	—	—	—	—	1.67	1.78	2.00	2.20	2.30	2.41	2.61	2.99	3.18
6000	—	—	—	—	1.82	1.94	2.16	2.39	2.50	2.61	2.82	3.23	3.41
6500	—	—	—	—	1.96	2.09	2.34	2.57	2.69	2.80	3.03	3.42	3.64
7000	—	—	—	—	2.11	2.24	2.50	2.75	2.87	2.99	3.23	3.65	3.84
7500	—	—	—	—	2.25	2.39	2.66	2.92	3.05	3.18	3.41	3.84	4.03
8000	—	—	—	—	—	—	2.82	3.10	3.23	3.34	3.59	4.02	4.21
8500	—	—	—	—	—	—	2.97	3.26	3.39	3.52	3.76	4.19	4.37
9000	—	—	—	—	—	—	3.13	3.41	3.55	3.68	3.92	4.34	4.51
9500	—	—	—	—	—	—	3.28	3.56	3.70	3.83	4.07	4.47	4.63
10000	—	—	—	—	—	—	3.41	3.71	3.84	3.97	4.21	4.59	4.72

XL Belt Width Table

Belt Width Factor	.15	.28	.35	.42	.57	.71	.86	1.00	1.29	1.56
Belt Width	1/4	3/8	7/16	1/2	5/8	3/4	7/8	1	1 1/4	1 1/2
Belt Width Code	025	037	043	050	062	075	087	100	125	150

Shaded area indicates stock belt widths.

* HP ratings are for conventional speed-reduction drives.

• Pulley diameter is below recommended minimum. A reduction in belt life should be expected.

Suggest alternate drive, whenever possible.

PULLEYS

L

Horsepower Ratings

Martin

L - 3/8" Pitch

RPM of Faster Shaft	HP for a 1" Wide Belt for Various Pulleys*																		
	10L 1.194 P.D.	12L 1.432 P.D.	13L■ 1.552 P.D.	14L 1.671 P.D.	15L■ 1.790 P.D.	16L 1.910 P.D.	17L■ 2.029 P.D.	18L 2.149 P.D.	19L■ 2.268 P.D.	20L 2.387 P.D.	21L■ 2.507 P.D.	22L 2.626 P.D.	24L 2.865 P.D.	26L 3.104 P.D.	28L 3.342 P.D.	30L 3.581 P.D.	32L 3.820 P.D.	40L 4.775 P.D.	48L 5.730 P.D.
100	•.05	.06	.07	.07	.08	.08	.09	.09	.10	.10	.11	.12	.13	.14	.15	.16	.17	.21	.25
200	•.10	.13	.14	.15	.16	.17	.18	.19	.20	.21	.22	.23	.25	.27	.29	.31	.33	.42	.50
300	•.16	.19	.20	.22	.23	.25	.27	.28	.30	.31	.33	.34	.38	.41	.44	.47	.50	.63	.75
400	•.21	.25	.27	.29	.31	.33	.35	.38	.40	.42	.44	.46	.50	.54	.58	.62	.67	.83	1.00
500	•.26	.31	.34	.37	.39	.42	.44	.47	.50	.52	.55	.57	.63	.68	.73	.78	.83	1.04	1.24
600	•.31	.37	.41	.44	.47	.50	.53	.56	.59	.63	.66	.69	.75	.81	.87	.94	1.00	1.24	1.49
700	•.37	.44	.47	.51	.55	.58	.62	.66	.69	.73	.77	.80	.87	.95	1.02	1.09	1.16	1.45	1.73
800	•.42	.50	.54	.58	.62	.67	.71	.75	.79	.83	.87	.92	1.00	1.08	1.16	1.24	1.32	1.65	1.97
870	•.45	.54	.59	.63	.68	.73	.77	.82	.86	.91	.95	1.00	1.08	1.17	1.26	1.35	1.44	1.79	2.14
900	•.47	.56	.61	.66	.70	.75	.80	.84	.89	.94	.98	1.03	1.12	1.21	1.30	1.40	1.49	1.85	2.21
1000	•.52	.62	.68	.73	.78	.83	.89	.94	.99	1.04	1.09	1.14	1.24	1.34	1.45	1.55	1.65	2.05	2.44
1100	•.57	.69	.75	.80	.86	.92	.97	1.03	1.08	1.14	1.20	1.25	1.36	1.48	1.59	1.70	1.81	2.25	2.67
1160	•.60	.72	.79	.85	.91	.97	1.03	1.08	1.14	1.20	1.26	1.32	1.44	1.56	1.67	1.79	1.91	2.36	2.81
1200	•.63	•.75	.81	.88	.94	1.00	1.06	1.12	1.18	1.24	1.30	1.36	1.49	1.61	1.73	1.85	1.97	2.44	2.90
1300	•.68	•.81	.88	.95	1.01	1.08	1.15	1.21	1.28	1.34	1.41	1.48	1.61	1.74	1.87	2.00	2.13	2.63	3.12
1400	•.73	•.87	.95	1.02	1.09	1.16	1.23	1.30	1.38	1.45	1.52	1.59	1.73	1.87	2.01	2.15	2.29	2.82	3.34
1500	•.78	•.94	•1.02	1.09	1.16	1.24	1.32	1.40	1.47	1.55	1.62	1.70	1.85	2.00	2.15	2.30	2.44	3.01	3.55
1600	•.83	•1.00	•1.08	1.16	1.24	1.32	1.41	1.49	1.57	1.65	1.73	1.81	1.97	2.13	2.28	2.44	2.60	3.20	3.76
1700	•.89	•1.06	•1.15	1.23	1.32	1.41	1.49	1.58	1.66	1.75	1.83	1.92	2.09	2.26	2.42	2.59	2.75	3.38	3.97
1750	•.91	•1.09	•1.17	1.27	1.36	1.45	1.54	1.62	1.71	1.80	1.89	1.98	2.15	2.32	2.49	2.66	2.83	3.47	4.06
1800	—	•1.12	•1.21	•1.30	1.39	1.49	1.58	1.67	1.76	1.85	1.94	2.03	2.21	2.38	2.56	2.73	2.90	3.55	4.16
1900	—	•1.18	•1.27	•1.38	1.47	1.57	1.66	1.76	1.85	1.95	2.04	2.14	2.32	2.51	2.69	2.87	3.05	3.73	4.35
2000	—	•1.24	•1.35	•1.45	1.55	1.65	1.75	1.85	1.95	2.05	2.15	2.25	2.44	2.63	2.82	3.01	3.19	3.89	4.54
2200	—	•1.36	•1.48	•1.59	1.70	1.81	1.92	2.03	2.14	2.25	2.35	2.46	2.67	2.88	3.08	3.28	3.49	4.23	4.89
2400	—	•1.49	•1.61	•1.73	1.85	1.97	2.09	2.21	2.32	2.44	2.56	2.67	2.90	3.12	3.34	3.56	3.76	4.54	5.21
2500	—	•1.55	•1.68	•1.80	•1.92	2.05	2.17	2.30	2.42	2.54	2.66	2.78	3.01	3.24	3.47	3.68	3.90	4.69	5.35
2600	—	•1.61	•1.74	•1.87	•2.00	2.13	2.26	2.38	2.51	2.63	2.76	2.99	3.12	3.36	3.59	3.81	4.03	4.83	5.48
2800	—	•1.73	•1.87	•2.01	•2.14	2.29	2.42	2.56	2.69	2.82	2.96	3.09	3.34	3.59	3.83	4.06	4.29	5.10	5.73
3000	—	•1.85	•2.00	•2.15	•2.29	2.44	2.59	2.73	2.87	3.01	3.15	3.29	3.55	3.81	4.06	4.30	4.54	5.35	5.94
3200	—	—	•2.13	•2.28	•2.44	2.60	2.74	2.90	3.04	3.19	3.34	3.48	3.76	4.03	4.29	4.54	4.77	5.57	6.11
3400	—	—	•2.26	•2.42	•2.58	2.75	2.91	3.07	3.22	3.37	3.53	3.67	3.97	4.24	4.50	4.76	4.99	5.78	6.23
3500	—	—	•2.32	•2.49	•2.65	2.83	2.99	3.15	3.31	3.46	3.62	3.77	4.06	4.35	4.61	4.86	5.10	5.87	6.27
3600	—	—	—	•2.55	•2.73	•2.90	•3.07	3.23	3.39	3.55	3.71	3.86	4.16	4.45	4.72	4.97	5.21	5.95	6.31
3800	—	—	—	•2.69	•2.86	•3.03	•3.22	3.40	3.56	3.73	3.89	4.05	4.35	4.64	4.91	5.16	5.40	6.09	6.33
4000	—	—	—	•2.83	•3.00	•3.20	•3.37	3.56	3.73	3.89	4.06	4.23	4.54	4.83	5.10	5.34	5.57	6.21	6.31
4200	—	—	—	—	•3.15	•3.34	•3.53	3.72	3.88	4.06	4.23	4.40	4.72	5.01	5.28	5.52	5.74	6.28	6.23
4400	—	—	—	—	•3.28	•3.49	•3.67	3.86	4.04	4.22	4.40	4.57	4.89	5.19	5.44	5.68	5.88	6.33	†6.09
4600	—	—	—	—	•3.41	•3.63	•3.82	4.01	4.20	4.38	4.56	4.73	5.05	5.34	5.59	5.82	6.01	6.35	†5.89
4800	—	—	—	—	•3.54	•3.77	•3.96	4.17	4.35	4.54	4.72	4.89	5.20	5.48	5.73	5.94	6.12	6.32	†5.63
5000	—	—	—	—	•3.67	•3.91	•4.10	•4.31	•4.50	4.68	4.86	5.04	5.35	5.63	5.86	6.06	6.20	6.26	†5.30
5200	—	—	—	—	•3.81	•4.03	•4.23	•4.45	•4.63	4.82	5.01	5.18	5.48	5.76	5.98	6.15	6.27	†6.16	†4.91
5400	—	—	—	—	•3.93	•4.17	•4.37	•4.59	•4.77	4.96	5.14	5.31	5.61	5.88	6.07	6.23	6.32	†6.01	†4.44
5600	—	—	—	—	•4.05	•4.29	•4.50	•4.72	•4.91	5.09	5.28	5.44	5.73	5.98	6.16	6.28	6.34	†5.83	†3.89
5800	—	—	—	—	•4.17	•4.42	•4.62	•4.84	•5.04	5.22	5.40	5.57	5.84	6.07	6.23	6.32	6.34	†5.60	†3.27
6000	—	—	—	—	•4.29	•4.55	•4.75	•4.97	•5.15	5.34	5.52	5.68	5.93	6.15	6.28	6.35	6.33	†5.32	†2.57

PULLEYS

L Belt Width Table

Belt Width Factor	.28	.35	.42	.57	.71	.86	1.00	1.29	1.56	1.84	2.14	2.72	3.36
Belt Width	3/8	7/16	1/2	5/8	3/4	7/8	1	1 1/4	1 1/2	1 3/4	2	2 1/2	3
Belt Width Code	037	043	050	062	075	087	100	125	150	175	200	250	300

Shaded area indicates stock belt widths.

* HP ratings are for conventional speed-reduction drives.

■ Special non-stock sizes.

† Belt speed exceeds 6500 fpm — consult factory.

• Pulley diameter is below recommended minimum. A reduction in belt life should be expected. Suggest alternate drive, whenever possible.



Horsepower Ratings

H

H - 1/2" Pitch

RPM of Faster Shaft	HP for a 1" Wide Belt for Various Pulleys*																
	14H 2.228 P.D.	16H 2.546 P.D.	17H 2.706 P.D.	18H 2.865 P.D.	19H 3.024 P.D.	20H 3.183 P.D.	21H 3.342 P.D.	22H 3.501 P.D.	24H 3.820 P.D.	26H 4.138 P.D.	28H 4.456 P.D.	30H 4.775 P.D.	32H 5.093 P.D.	36H 5.730 P.D.	40H 6.366 P.D.	44H 7.003 P.D.	48H 7.639 P.D.
100	.25	.28	.30	.32	.34	.35	.37	.39	.42	.46	.50	.53	.57	.64	.71	.78	.85
200	.50	.57	.60	.64	.67	.71	.74	.78	.85	.92	.99	1.06	1.13	1.27	1.41	1.56	1.70
300	.74	.85	.90	.96	1.01	1.06	1.11	1.17	1.27	1.38	1.49	1.59	1.70	1.91	2.12	2.33	2.54
400	.99	1.13	1.20	1.27	1.34	1.41	1.49	1.56	1.70	1.84	1.98	2.12	2.26	2.54	2.82	3.10	3.38
500	1.24	1.41	1.50	1.59	1.68	1.77	1.86	1.94	2.12	2.30	2.47	2.65	2.82	3.17	3.52	3.87	4.22
600	1.49	1.70	1.80	1.91	2.02	2.12	2.23	2.33	2.54	2.75	2.96	3.17	3.38	3.80	4.22	4.64	5.05
700	1.73	1.98	2.10	2.23	2.35	2.47	2.59	2.72	2.96	3.21	3.45	3.70	3.94	4.43	4.91	5.40	5.88
800	1.98	2.26	2.40	2.54	2.68	2.82	2.96	3.10	3.38	3.66	3.94	4.22	4.50	5.05	5.60	6.15	6.69
900	•2.23	2.54	2.70	2.86	3.01	3.17	3.33	3.49	3.80	4.11	4.43	4.74	5.05	5.67	6.29	6.89	7.50
1000	•2.47	2.82	3.00	3.17	3.35	3.52	3.70	3.87	4.22	4.57	4.91	5.26	5.60	6.29	6.96	7.63	8.30
1100	•2.72	3.10	3.30	3.49	3.68	3.87	4.06	4.26	4.64	5.02	5.40	5.77	6.15	6.90	7.63	8.36	9.08
1160	•2.86	3.27	3.47	3.68	3.88	4.08	4.28	4.48	4.89	5.28	5.68	6.08	6.48	7.26	8.03	8.80	9.55
1200	—	•3.38	3.59	3.80	4.01	4.22	4.43	4.64	5.05	5.46	5.88	6.29	6.69	7.50	8.30	9.08	9.86
1300	—	•3.66	3.89	4.12	4.34	4.57	4.79	5.01	5.46	5.91	6.35	6.79	7.23	8.10	8.95	9.79	10.62
1400	—	•3.94	4.19	4.43	4.67	4.91	5.15	5.39	5.87	6.35	6.83	7.30	7.77	8.69	9.60	10.49	11.36
1500	—	•4.22	•4.48	4.74	5.00	5.26	5.51	5.77	6.28	6.79	7.30	7.80	8.30	9.28	10.24	11.18	12.09
1600	—	•4.50	•4.78	5.05	5.33	5.60	5.87	6.15	6.69	7.23	7.77	8.30	8.82	9.86	10.87	11.85	12.80
1700	—	•4.77	•5.07	5.36	5.65	5.94	6.23	6.52	7.10	7.67	8.23	8.79	9.34	10.43	11.49	12.51	13.50
1750	—	•4.91	•5.22	5.52	5.81	6.11	6.41	6.71	7.30	7.88	8.46	9.03	9.60	10.71	11.79	12.84	13.84
1800	—	•5.05	•5.36	•5.67	5.98	6.28	6.59	6.89	7.50	8.10	8.69	9.28	9.86	10.99	12.09	13.15	14.18
1900	—	•5.42	•5.66	•5.98	6.30	6.62	6.94	7.26	7.90	8.53	9.15	9.76	10.36	11.55	12.69	13.78	14.83
2000	—	•5.60	•5.95	•6.28	6.62	6.96	7.30	7.63	8.29	8.95	9.60	10.24	10.87	12.10	13.27	14.40	15.46
2100	—	—	—	•6.59	6.94	7.29	7.65	8.00	8.69	9.37	10.05	10.71	11.36	12.63	13.84	14.99	16.08
2200	—	—	—	•6.89	7.26	7.63	8.00	8.36	9.08	9.79	10.49	11.18	11.85	13.16	14.40	15.57	16.66
2300	—	—	—	•7.20	7.58	7.96	8.34	8.72	9.47	10.21	10.93	11.64	12.33	13.68	14.94	16.13	17.23
2400	—	—	—	•7.50	7.90	8.29	8.69	9.08	9.85	10.62	11.37	12.09	12.80	14.18	15.46	16.66	17.76
2500	—	—	—	•7.80	•8.21	8.62	9.03	9.44	10.23	11.02	11.80	12.54	13.27	14.68	15.98	17.18	18.27
2600	—	—	—	•8.10	•8.52	8.95	9.37	9.79	10.61	11.42	12.22	12.98	13.72	15.16	16.47	17.67	18.75
2800	—	—	—	•8.69	•9.14	9.59	10.04	10.49	11.35	12.21	13.05	13.84	14.61	16.09	17.41	18.60	19.63
3000	—	—	—	•9.28	•9.75	10.23	10.70	11.18	12.08	12.98	13.85	14.67	15.46	16.96	18.27	19.42	20.38
3200	—	—	—	•9.85	•10.36	10.85	11.35	11.85	12.79	13.72	14.63	15.46	16.27	17.78	19.06	20.14	20.99
3400	—	—	—	•10.43	•10.95	11.47	11.99	12.51	13.48	14.45	15.37	16.22	17.03	18.53	19.76	20.75	†21.46
3500	—	—	—	•10.71	•11.24	11.77	12.31	12.84	13.82	14.80	15.74	16.59	17.40	18.89	20.08	21.01	†21.63
3600	—	—	—	—	—	•12.07	12.62	13.16	14.16	15.15	16.09	16.95	17.75	19.22	20.37	†21.24	†21.77
3800	—	—	—	—	—	•12.67	13.23	13.79	14.81	15.82	16.78	17.63	18.42	19.85	20.89	†21.60	†21.92
4000	—	—	—	—	—	•13.24	13.82	14.40	15.44	16.46	17.43	18.27	19.04	20.40	†21.31	†21.83	†21.90
4200	—	—	—	—	—	•13.81	14.41	15.00	16.04	17.08	18.05	18.87	19.61	20.88	†21.62	†21.93	†21.70
4400	—	—	—	—	—	•14.36	14.97	15.57	16.63	17.67	18.62	19.42	20.12	†21.27	†21.83	†21.87	†21.32
4600	—	—	—	—	—	•14.90	•15.52	16.13	17.18	18.22	19.16	20.57	†21.58	†21.92	†21.67	†20.73	—
4800	—	—	—	—	—	•15.42	•16.05	16.67	17.71	18.74	19.66	20.37	†21.81	†21.89	†21.89	†21.30	†19.93
5000	—	—	—	—	—	•15.93	•16.56	17.19	18.22	19.23	20.12	20.77	†21.29	†21.95	†21.73	†20.77	—
5200	—	—	—	—	—	•16.41	•17.05	17.69	18.69	19.68	20.53	†21.11	†21.54	†21.99	†21.44	†20.06	—
5400	—	—	—	—	—	•16.89	•17.53	18.16	19.13	20.09	20.90	†21.39	†21.73	†21.93	†21.02	—	—
5600	—	—	—	—	—	•17.34	•17.98	•18.61	19.55	20.47	†21.22	†21.62	†21.85	†21.76	†20.46	—	—
5800	—	—	—	—	—	•17.77	•18.41	•19.04	19.93	20.80	†21.49	†21.78	†21.89	†21.50	†19.75	—	—
6000	—	—	—	—	—	•18.19	•18.82	•19.41	20.27	†21.10	†21.70	†21.88	†21.85	†21.12	—	—	—

H Belt Width Table

Belt Width Factor	.42	.57	.71	.86	1.00	1.29	1.56	1.84	2.14	2.72	3.36	4.06	4.76	6.15	7.50	8.89	10.32
Belt Width	1/2	5/8	3/4	7/8	1	1 1/4	1 1/2	1 3/4	2	2 1/2	3	3 1/2	4	5	6	7	8
Belt Width Code	050	062	075	087	100	125	150	175	200	250	300	350	400	500	600	700	800

Shaded area indicates stock belt widths.

* HP ratings are for conventional speed-reduction drives.

■ Special non-stock sizes.

† Belt speed exceeds 6500 fpm — consult factory.

• Pulley diameter is below recommended minimum. A reduction in belt life should be expected.

Suggest alternate drive, whenever possible.

PULLEYS

XH

Horsepower Ratings

Martin

XH - 7/8" Pitch

RPM of Faster Shaft	HP for a 1" Wide Belt for Various Pulleys*									
	18 XH 5.013 P.D.	20 XH 5.570 P.D.	22 XH 6.127 P.D.	24 XH 6.685 P.D.	26 XH 7.241 P.D.	28 XH 7.799 P.D.	30 XH 8.356 P.D.	32 XH 8.910 P.D.	40 XH 11.141 P.D.	
100	• .76	.84	.93	1.01	1.11	1.18	1.26	1.34	1.68	
200	•1.51	1.68	1.85	2.02	2.19	2.36	2.52	2.69	3.37	
300	•2.28	2.52	2.78	3.03	3.28	3.54	3.78	4.03	5.02	
400	•3.03	3.37	3.70	4.03	4.37	4.70	5.02	5.36	6.66	
480	•3.63	4.03	4.43	4.82	5.22	5.62	6.00	6.40	7.95	
500	•3.78	• 4.20	4.61	5.02	5.44	5.85	6.26	6.71	8.26	
510	•3.86	• 4.29	4.71	5.12	5.54	5.97	6.37	6.80	8.42	
570	•4.30	• 4.77	5.25	5.72	6.17	6.65	7.10	7.56	9.36	
600	•4.53	• 5.02	5.52	6.00	6.50	6.98	7.47	7.95	9.82	
680	•5.12	• 5.68	6.24	6.80	7.34	7.88	8.42	8.96	11.04	
700	•5.27	• 5.84	6.42	6.98	7.54	8.10	8.66	9.21	11.35	
800	•6.00	• 6.66	7.31	7.95	8.59	9.21	9.83	10.44	12.80	
870	•6.52	• 7.23	7.92	8.61	9.29	9.97	10.63	11.29	13.79	
900	•6.74	• 7.46	• 8.19	8.90	9.59	10.29	10.97	11.64	14.18	
1000	•7.47	• 8.26	• 9.05	9.82	10.59	11.35	12.08	12.80	15.51	
1100	•8.19	• 9.05	• 9.91	10.75	11.56	12.38	13.15	13.92	16.74	
1160	•8.61	• 9.51	•10.41	11.29	12.13	12.97	13.79	14.57	17.44	
1200	—	• 9.83	•10.75	•11.64	12.51	13.37	14.29	14.99	17.89	
1300	—	•10.59	•11.57	•12.51	13.44	14.32	15.18	16.01	18.94	
1400	—	•11.35	•12.37	•13.37	14.32	15.25	16.14	16.98	19.87	
1500	—	•12.08	•13.15	•14.19	15.18	16.14	17.03	17.89	20.71	
1600	—	•12.80	•13.92	•14.99	16.01	16.98	17.14	18.82	21.42	
1700	—	•13.50	•14.66	•15.76	16.80	17.78	18.68	19.51	21.99	
1750	—	•13.85	•15.03	•16.14	17.17	18.16	19.06	19.87	22.22	
1800	—	—	•15.37	•16.51	•17.56	18.53	19.42	20.22	22.35	
1900	—	—	•16.07	•17.22	•18.65	19.23	20.69	20.86	22.70	
2000	—	—	•16.74	•17.89	•18.94	19.87	20.71	21.42	22.84	
2100	—	—	•17.39	•18.53	•19.56	20.48	21.25	21.88	22.81	
2200	—	—	•18.00	•19.43	•20.14	21.01	21.72	22.27	22.61	
2300	—	—	•18.59	•19.70	•20.67	21.47	22.11	22.55	†22.30	
2400	—	—	•19.31	•20.22	•21.14	21.88	22.42	22.75	†21.65	
2500	—	—	—	•20.71	•21.57	•22.22	22.64	22.84	†20.89	
2600	—	—	—	•21.14	•21.94	•22.49	22.80	22.82	†19.92	
2800	—	—	—	•21.89	•22.49	•22.81	22.81	†22.47	—	
3000	—	—	—	•22.42	•22.80	•22.81	†22.44	†21.65	—	
3200	—	—	—	•22.75	•22.82	•22.47	†21.65	†20.33	—	
3400	—	—	—	•22.84	•22.58	•21.78	†20.42	†18.48	—	
3500	—	—	—	•22.81	†•22.34	†•21.29	†19.64	—	—	
3600	—	—	—	•22.71	†•22.02	†•20.72	†18.73	—	—	
3800	—	—	—	†•22.31	†•21.41	†•19.22	—	—	—	
4000	—	—	—	†•21.65	†•19.92	—	—	—	—	
4200	—	—	—	†•20.71	†•18.33	—	—	—	—	
4400	—	—	—	†•19.47	—	—	—	—	—	

PULLEYS

XH, XXH Belt Width Table

Belt Width Factor	1.00	1.29	1.56	1.84	2.14	2.72	3.36	4.06	4.76	6.15	7.50	8.89	10.32	11.70	13.10	14.41	15.84	17.16	18.62
Belt Width	1	1¼	1½	1¾	2	2½	3	3½	4	5	6	7	8	9	10	11	12	13	14
Belt Width Code	100	125	150	175	200	250	300	350	400	500	600	700	800	900	1000	1100	1200	1300	1400

Shaded area indicates stock belt widths.

* HP ratings are for conventional speed-reduction drives.

† Belt speed exceeds 6500 fpm — consult factory.

• Pulley diameter is below recommended minimum. A reduction in belt life should be expected.

Suggest alternate drive, whenever possible.



Timing Pulley Diameters

XL - 1/8" Pitch

No. Teeth	Diameter		No. Teeth	Diameter		No. Teeth	Diameter		No. Teeth	Diameter		No. Teeth	Diameter	
	P.D.	O.D.		P.D.	O.D.		P.D.	O.D.		P.D.	O.D.		P.D.	O.D.
10XL	.637	.617	33XL	2.101	2.081	55XL	3.501	3.481	77XL	4.902	4.882	99XL	6.303	6.283
11XL	.700	.680	34XL	2.165	2.145	56XL	3.565	3.545	78XL	4.966	4.946	100XL	6.346	6.326
12XL	.764	.744	35XL	2.228	2.208	57XL	3.629	3.609	79XL	5.029	5.009	101XL	6.430	6.410
13XL	.828	.808	36XL	2.292	2.272	58XL	3.692	3.672	80XL	5.093	5.073	102XL	6.494	6.474
14XL	.891	.871	37XL	2.355	2.335	59XL	3.756	3.736	81XL	5.157	5.137	103XL	6.557	6.537
15XL	.955	.935	38XL	2.419	2.399	60XL	3.820	3.800	82XL	5.220	5.200	104XL	6.621	6.601
16XL	1.019	.999	39XL	2.483	2.463	61XL	3.883	3.863	83XL	5.284	5.264	105XL	6.685	6.665
17XL	1.082	1.062	40XL	2.546	2.526	62XL	3.947	3.927	84XL	5.348	5.328	106XL	6.748	6.728
18XL	1.146	1.126	41XL	2.610	2.590	63XL	4.011	3.991	85XL	5.411	5.391	107XL	6.812	6.792
19XL	1.210	1.190	42XL	2.674	2.654	64XL	4.074	4.054	86XL	5.475	5.455	108XL	6.875	6.855
20XL	1.273	1.253	43XL	2.737	2.717	65XL	4.138	4.118	87XL	5.539	5.519	109XL	6.939	6.919
21XL	1.337	1.317	44XL	2.801	2.781	66XL	4.202	4.182	88XL	5.602	5.582	110XL	7.003	6.983
22XL	1.401	1.381	45XL	2.865	2.845	67XL	4.265	4.245	89XL	5.666	5.646	111XL	7.066	7.046
23XL	1.464	1.444	46XL	2.928	2.908	68XL	4.329	4.309	90XL	5.730	5.710	112XL	7.130	7.110
24XL	1.528	1.508	47XL	2.992	2.972	69XL	4.393	4.373	91XL	5.793	5.773	113XL	7.194	7.174
25XL	1.592	1.572	48XL	3.056	3.036	70XL	4.456	4.436	92XL	5.857	5.837	114XL	7.257	7.237
26XL	1.655	1.635	49XL	3.119	3.099	71XL	4.520	4.500	93XL	5.921	5.901	115XL	7.321	7.301
27XL	1.719	1.699	50XL	3.183	3.163	72XL	4.584	4.564	94XL	5.984	5.964	116XL	7.385	7.365
28XL	1.783	1.763	51XL	3.247	3.227	73XL	4.647	4.627	95XL	6.048	6.028	117XL	7.448	7.428
29XL	1.846	1.826	52XL	3.310	3.290	74XL	4.711	4.691	96XL	6.112	6.092	118XL	7.512	7.492
30XL	1.910	1.890	53XL	3.374	3.354	75XL	4.775	4.755	97XL	6.175	6.155	119XL	7.576	7.556
31XL	1.974	1.954	54XL	3.438	3.418	76XL	4.838	4.818	98XL	6.239	6.219	120XL	7.639	7.619
32XL	2.037	2.017												

L - 3/8" Pitch

No. Teeth	Diameter		No. Teeth	Diameter		No. Teeth	Diameter		No. Teeth	Diameter		No. Teeth	Diameter	
	P.D.	O.D.		P.D.	O.D.		P.D.	O.D.		P.D.	O.D.		P.D.	O.D.
10L	1.194	1.164	33L	3.939	3.909	56L	6.685	6.655	79L	9.430	9.400	102L	12.175	12.145
11L	1.313	1.283	34L	4.058	4.028	57L	6.804	6.774	80L	9.549	9.519	103L	12.295	12.265
12L	1.432	1.402	35L	4.178	4.148	58L	6.923	6.893	81L	9.669	9.639	104L	12.414	12.384
13L	1.552	1.522	36L	4.297	4.267	59L	7.043	7.013	82L	9.788	9.758	105L	12.533	12.503
14L	1.671	1.641	37L	4.417	4.387	60L	7.162	7.132	83L	9.907	9.877	106L	12.653	12.623
15L	1.790	1.760	38L	4.536	4.506	61L	7.281	7.251	84L	10.027	9.997	107L	12.772	12.742
16L	1.910	1.880	39L	4.655	4.625	62L	7.401	7.371	85L	10.147	10.117	108L	12.892	12.862
17L	2.029	1.999	40L	4.775	4.745	63L	7.520	7.490	86L	10.265	10.235	109L	13.011	12.981
18L	2.149	2.119	41L	4.894	4.864	64L	7.639	7.609	87L	10.385	10.355	110L	13.130	13.100
19L	2.268	2.238	42L	5.013	4.983	65L	7.759	7.729	88L	10.504	10.474	111L	13.250	13.220
20L	2.387	2.357	43L	5.133	5.103	66L	7.878	7.848	89L	10.624	10.594	112L	13.369	13.339
21L	2.507	2.477	44L	5.252	5.222	67L	7.998	7.968	90L	10.743	10.713	113L	13.488	13.458
22L	2.626	2.596	45L	5.371	5.341	68L	8.117	8.087	91L	10.862	10.832	114L	13.608	13.578
23L	2.745	2.715	46L	5.491	5.461	69L	8.236	8.206	92L	10.982	10.952	115L	13.727	13.697
24L	2.865	2.835	47L	5.610	5.580	70L	8.356	8.326	93L	11.101	11.071	116L	13.846	13.816
25L	2.984	2.954	48L	5.730	5.700	71L	8.475	8.445	94L	11.220	11.190	117L	13.966	13.936
26L	3.104	3.074	49L	5.849	5.819	72L	8.594	8.564	95L	11.340	11.310	118L	14.085	14.055
27L	3.223	3.193	50L	5.968	5.938	73L	8.714	8.684	96L	11.459	11.429	119L	14.205	14.175
28L	3.342	3.312	51L	6.088	6.058	74L	8.833	8.803	97L	11.579	11.549	120L	14.324	14.294
29L	3.462	3.432	52L	6.207	6.177	75L	8.952	8.922	98L	11.698	11.668	130L	15.518	15.488
30L	3.581	3.551	53L	6.326	6.296	76L	9.072	9.042	99L	11.817	11.787	140L	16.711	16.681
31L	3.700	3.670	54L	6.446	6.416	77L	9.191	9.161	100	11.937	11.907	150L	17.905	17.875
32L	3.820	3.790	55L	6.565	6.535	78L	9.311	9.261	101L	12.056	12.026			

Timing Pulley Diameters



H - 1/2" Pitch

No. Teeth	Diameter		No. Teeth	Diameter		No. Teeth	Diameter		No. Teeth	Diameter		No. Teeth	Diameter	
	P.D.	O.D.		P.D.	O.D.		P.D.	O.D.		P.D.	O.D.		P.D.	O.D.
15H	2.387	2.333	35H	5.570	5.516	55H	8.754	8.700	75H	11.937	11.883	95H	15.120	15.066
16H	2.546	2.492	36H	5.730	5.676	56H	8.913	8.859	76H	12.096	12.042	96H	15.225	15.171
17H	2.706	2.652	37H	5.889	5.835	57H	9.072	9.018	77H	12.255	12.201	97H	15.438	15.384
18H	2.865	2.811	38H	6.048	5.994	58H	9.231	9.177	78H	12.414	12.360	98H	15.597	15.543
19H	3.024	2.970	39H	6.207	6.153	59H	9.390	9.336	79H	12.573	12.519	99H	15.756	15.702
20H	3.183	3.129	40H	6.366	6.312	60H	9.549	9.495	80H	12.732	12.678	100H	15.915	15.861
21H	3.342	3.288	41H	6.525	6.471	61H	9.708	9.654	81H	12.892	12.848	102H	16.234	16.180
22H	3.501	3.447	42H	6.685	6.631	62H	9.868	9.814	82H	13.051	12.997	104H	16.552	16.498
23H	3.661	3.607	43H	6.844	6.790	63H	10.027	9.973	83H	13.210	13.156	106H	16.870	16.816
24H	3.820	3.766	44H	7.003	6.949	64H	10.186	10.132	84H	13.369	13.315	108H	17.189	17.135
25H	3.979	3.925	45H	7.162	7.108	65H	10.345	10.291	85H	13.528	13.474	110H	17.507	17.453
26H	4.138	4.084	46H	7.321	7.267	66H	10.504	10.450	86H	13.687	13.633	115H	18.303	18.249
27H	4.297	4.243	47H	7.480	7.426	67H	10.663	10.609	87H	13.846	13.792	120H	19.099	19.045
28H	4.456	4.402	48H	7.639	7.585	68H	10.823	10.769	88H	14.005	13.952	125H	19.894	19.840
29H	4.615	4.561	49H	7.799	7.745	69H	10.982	10.928	89H	14.165	14.111	130H	20.690	20.636
30H	4.775	4.721	50H	7.958	7.904	70H	11.141	11.087	90H	14.324	14.270	135H	21.486	21.432
31H	4.934	4.880	51H	8.117	8.063	71H	11.300	11.246	91H	14.483	14.429	140H	22.282	22.228
32H	5.093	5.039	52H	8.276	8.222	72H	11.459	11.405	92H	14.642	14.588	145H	23.077	23.023
33H	5.252	5.198	53H	8.435	8.381	73H	11.618	11.564	93H	14.801	14.747	150H	23.873	23.819
34H	5.411	5.357	54H	8.594	8.540	74H	11.777	11.723	94H	14.961	14.907	156H	24.828	24.774

XH - 7/8" Pitch

No. Teeth	Diameter		No. Teeth	Diameter		No. Teeth	Diameter		No. Teeth	Diameter		No. Teeth	Diameter	
	P.D.	O.D.		P.D.	O.D.		P.D.	O.D.		P.D.	O.D.		P.D.	O.D.
18XH	5.013	4.903	45XH	12.533	12.423	70XH	19.496	19.386	95XH	26.460	26.350	120XH	33.423	33.313
20XH	5.570	5.460	46XH	12.812	12.702	71XH	19.776	19.666	96XH	26.738	26.628	122XH	33.980	33.870
22XH	6.127	6.017	47XH	13.091	12.981	72XH	20.054	19.944	97XH	27.017	26.907	124XH	34.537	34.427
23XH	6.406	6.296	48XH	13.369	13.259	73XH	20.332	20.222	98XH	27.295	27.185	126XH	35.094	34.984
24XH	6.685	6.575	49XH	13.648	13.538	74XH	20.611	20.501	99XH	27.574	27.464	128XH	35.651	35.541
25XH	6.963	6.853	50XH	13.926	13.816	75XH	20.889	20.779	100XH	27.852	27.742	130XH	36.208	36.098
26XH	7.242	7.132	51XH	14.205	14.095	76XH	21.168	21.058	101XH	28.131	28.021	132XH	36.765	36.655
27XH	7.520	7.410	52XH	14.483	14.373	77XH	21.446	21.336	102XH	28.409	28.299	134XH	37.322	37.212
28XH	7.799	7.689	53XH	14.762	14.652	78XH	21.725	21.615	103XH	28.688	28.578	136XH	37.879	37.769
29XH	8.077	7.967	54XH	15.140	14.930	79XH	21.003	21.893	104XH	28.966	28.856	138XH	38.436	38.326
30XH	8.356	8.246	55XH	15.319	15.209	80XH	22.282	22.172	105XH	29.245	29.135	140XH	38.993	38.883
31XH	8.634	8.524	56XH	15.597	15.487	81XH	22.560	22.450	106XH	29.523	29.413	142XH	39.550	39.440
32XH	8.913	8.803	57XH	15.876	15.766	82XH	22.839	22.729	107XH	29.802	29.692	144XH	40.107	39.997
33XH	9.191	9.081	58XH	16.154	16.044	83XH	23.118	23.008	108XH	30.080	29.970	146XH	40.664	40.554
34XH	9.470	9.360	59XH	16.433	16.323	84XH	23.396	23.286	109XH	30.359	30.249	150XH	41.778	41.668
35XH	9.748	9.638	60XH	16.711	16.601	85XH	23.674	23.564	110XH	30.637	30.527			
36XH	10.027	9.917	61XH	16.990	16.880	86XH	23.953	23.843	111XH	30.916	30.806			
37XH	10.305	10.195	62XH	17.268	17.158	87XH	24.231	24.121	112XH	31.194	31.084			
38XH	10.584	10.474	63XH	17.547	17.437	88XH	24.510	24.400	113XH	31.473	31.363			
39XH	10.862	10.752	64XH	17.825	17.715	89XH	24.788	24.678	114XH	31.751	31.641			
40XH	11.141	11.031	65XH	18.104	17.994	90XH	25.067	24.957	115XH	32.030	31.920			
41XH	11.419	11.309	66XH	18.382	18.272	91XH	25.345	25.235	116XH	32.308	32.198			
42XH	11.698	11.588	67XH	18.661	18.551	92XH	25.624	25.514	117XH	32.587	32.477			
43XH	11.976	11.866	68XH	18.939	18.829	93XH	25.902	25.792	118XH	32.865	32.755			
44XH	12.255	12.145	69XH	19.218	19.108	94XH	26.181	26.071	119XH	33.145	33.035			

PULLEYS

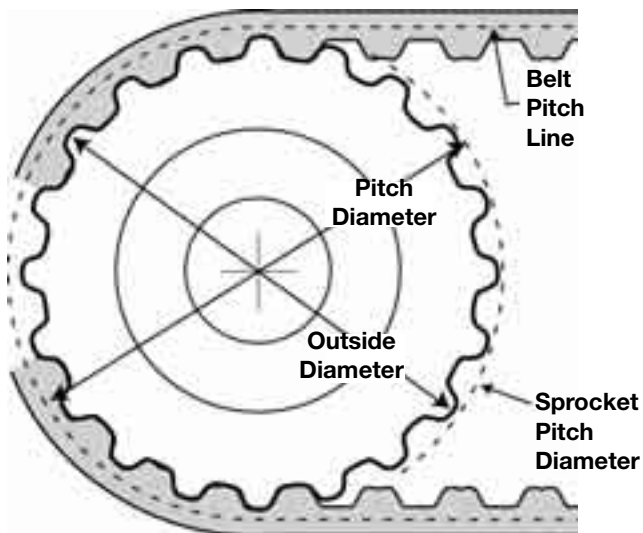
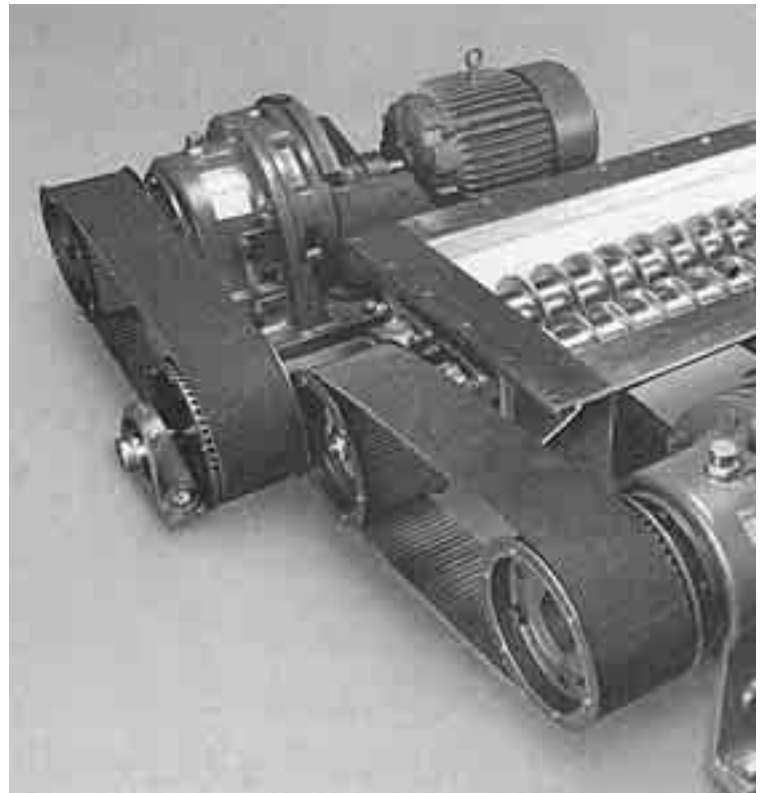
Outside Diameter Tolerances

PULLEY DIA.	O. D. TOL.	PULLEY DIA.	O. D. TOL.	PULLEY DIA.	O. D. TOL.	PULLEY DIA.	O. D. TOL.
0-1"	+0.02 -0.00	2.001" -4"	+0.04 -0.00	7.001" -12"	+0.06 -0.00	20.001 UP	+0.08 -0.00
1.000"-2"	+0.03 -0.00	4.001" -7"	+0.05 -0.00	12.001" -20"	+0.07 -0.00		

STOCK HTS SPROCKETS

FEATURES OF HTS DRIVES

- Positive Slip Proof Engagement
- Wide Speed Range
- Constant Driven Speeds
- Wide Range of Load Capabilities
- No Lubrication
- High Tension Eliminated
- High Mechanical Efficiency
- Economical Operation



HTS HIGH TORQUE SPROCKETS

- RPP[®] Tooth Profile
- Available in 5mm, 8mm, 14mm & 20mm pitch
- Stocked in QD and Taper Bush Interchangeable Bushing Styles, as well as Stock Bore.

HTS® Drive Specification



HTS BELT DRIVE SPECIFICATIONS

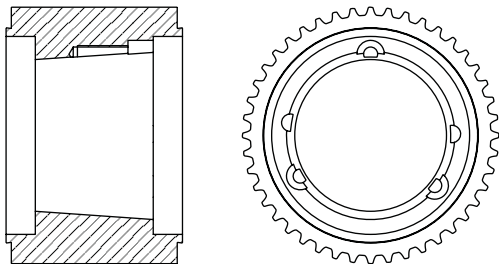
Martin HTS sprockets are manufactured in various sizes, dimensions and capacities to meet industry requirements. This includes a wide range of loads, speeds, and demanding applications.

The following is an explanation of dimensional nomenclature for *Martin* HTS sprockets as well as belts currently available that will operate efficiently with the *Martin* tooth form.

The HTS sprocket has three primary dimensions:
(Number of Teeth/Pitch/Width)

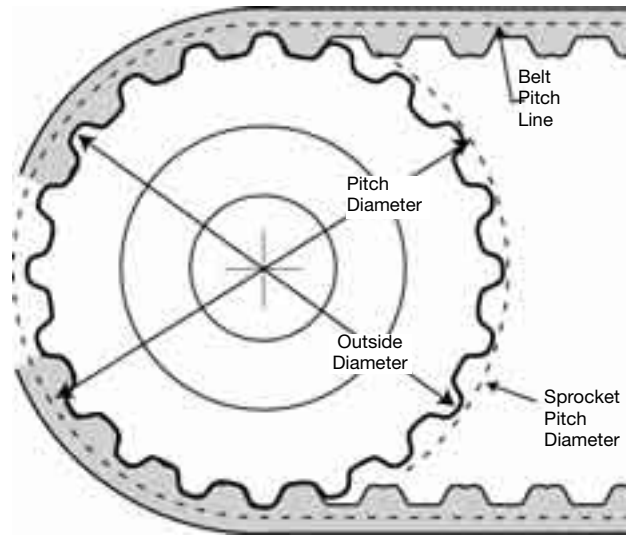
The pitch is the distance in millimeters from the center of one tooth groove to the other and is measured on the sprocket's pitch circle. The pitch circle of the sprocket matches with the pitch line of the belt when in mesh. The sprocket pitch diameter is always greater than its outer diameter.

Note: Belts must be run with sprockets of the same pitch.

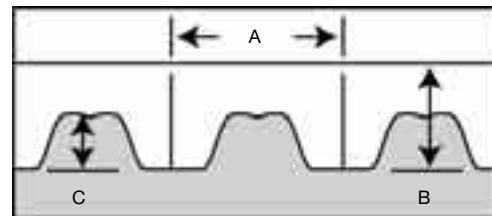


As with the sprocket specifications, belt pitch is the measure between two adjacent tooth centers which is measured on the pitch line of the belt.

Note: The theoretical pitch line is within the tensile member. Belt length is the total length (circumference) in millimeters as could be measured along the pitch line.

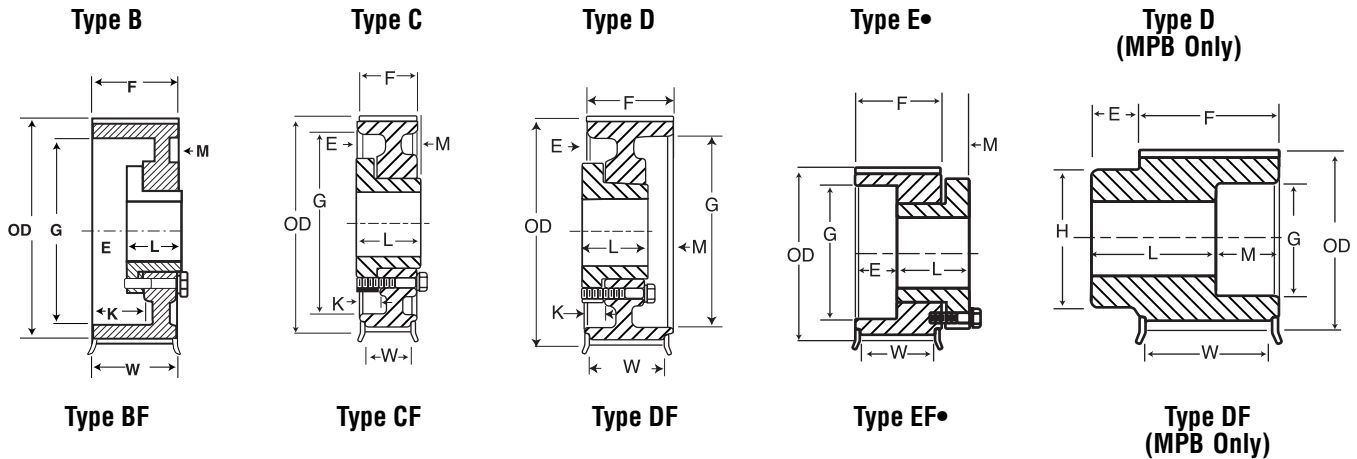


P	30	14M	55 - SK
	Number of Teeth		Bushing or MPB
HTS	Belt Pitch	Belt Width	
	5mm	15, 25	
	8mm	20, 30, 50, 85	
	14mm	40, 55, 85, 115, 170	
	20mm	115, 170, 230, 290, 340	



- “P” HTS Sprockets (RPP® Tooth Profile) - Run with RPP®, RPP® Plus®, HPPD+™, Whitehawk®, & HTD® belts.
- “P” HTS Sprockets are designed to run with fiberglass corded belts.
 - Available in 5mm, 8mm, 14mm, 20mm pitches
 - Belt widths: 15mm, 25mm (5mm pitch)
 - 20mm, 30mm, 50mm, 85mm (8mm pitch)
 - 40mm, 55mm, 85mm, 115mm, 170mm (14mm pitch)
 - 115mm, 170mm, 230mm, 290mm, 340mm (20mm pitch)

Belt Pitch	A	B	C
5MM	5MM .197IN.	3.81MM .150IN.	2.08MM .082IN.
8MM	8MM .315IN.	6MM .236IN.	3.4MM .133IN.
14MM	14MM .552IN.	10MM .394IN.	6.0MM .237IN.
20MM	20MM .784IN.	13.2MM .520IN.	8.4MM .330IN.

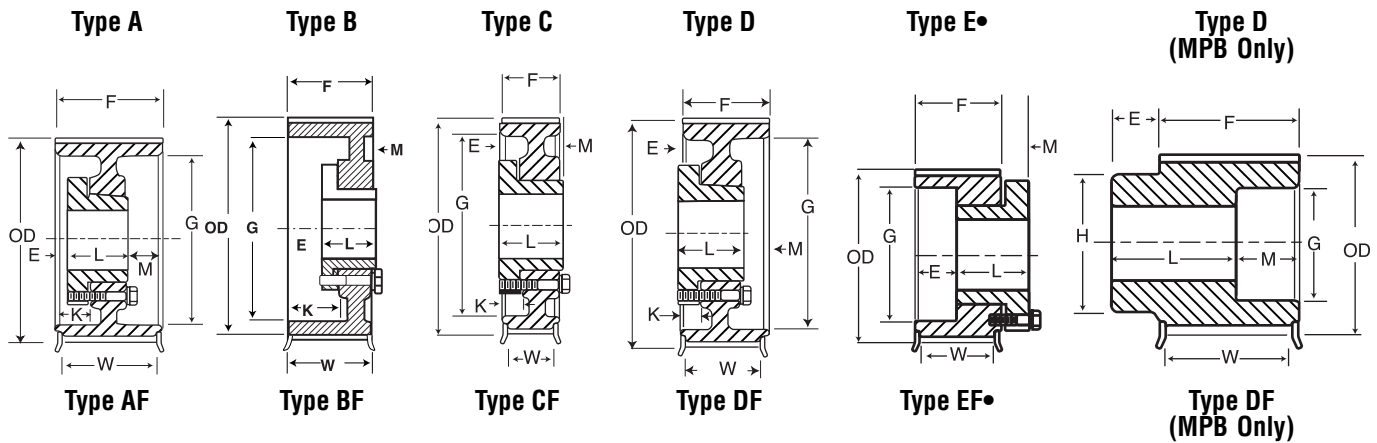


MPB 15mm (.591 in.) Wide Belts (5M-15)																
No. of Teeth	Catalog Number	Bore	Pitch	Diameter (in.)		Type +	Max. Bore	Dimensions (in.)							Weight* Approx. (lbs)	
				O.D.	Flange			E	L	M	K	H	F	G		W
32	P325M15-MPB	1/2	2.005	1.960	2.16	D1F	0.88	0.50	1.73	—	—	1.55	0.84	—	0.65	1.12
34	P345M15-MPB	1/2	2.130	2.085	2.29	D1F	1.00	0.50	1.73	—	—	1.68	0.84	—	0.65	1.25
36	P365M15-MPB	1/2	2.256	2.211	2.41	D1F	1.12	0.50	1.73	—	—	1.80	0.84	—	0.65	1.39
QD 15mm (.591in.) Wide Belts (5M-15)																
38	P385M15-JA	JA	2.381	2.336	2.54	●E1F	1.25	0.67	1.00	0.44	—	—	0.84	1.34	0.65	0.80
40	P405M15-JA	JA	2.506	2.461	2.66	●E1F	1.25	0.67	1.00	0.44	—	—	0.84	1.34	0.65	1.06
44	P445M15-JA	JA	2.757	2.712	2.91	●E1F	1.25	0.67	1.00	0.44	—	—	0.84	1.34	0.65	1.40
48	P485M15-JA	JA	3.008	2.963	3.16	B1F	1.25	0.23	1.00	0.00	0.67	—	0.84	2.36	0.65	1.20
52	P525M15-JA	JA	3.258	3.213	3.41	B1F	1.25	0.23	1.00	0.00	0.67	—	0.84	2.62	0.65	1.43
56	P565M15-SH	SH	3.509	3.464	3.66	D1F	1.68	0.08	1.25	0.06	0.42	—	0.84	2.86	0.65	1.64
60	P605M15-SH	SH	3.760	3.715	3.92	D1F	1.68	0.08	1.25	0.06	0.42	—	0.84	3.12	0.65	1.83
64	P645M15-SH	SH	4.010	3.965	4.16	D1F	1.68	0.08	1.25	0.06	0.42	—	0.84	3.37	0.65	2.16
68	P685M15-SDS	SDS	4.261	4.216	4.41	C1F	2.00	0.08	1.31	0.00	0.48	—	0.84	3.50	0.65	2.48
72	P725M15-SDS	SDS	4.511	4.466	4.66	C1F	2.00	0.08	1.31	0.00	0.48	—	0.84	3.75	0.65	2.84
80	P805M15-SDS	SDS	5.013	4.968	—	C1	2.00	0.08	1.31	0.00	0.48	—	0.84	4.25	0.65	3.61
90	P905M15-SDS	SDS	5.639	5.594	—	C1	2.00	0.08	1.31	0.00	0.48	—	0.84	4.88	0.65	4.69
112	P1125M15-SDS	SDS	7.018	6.973	—	C2	2.00	0.08	1.31	0.00	0.48	—	0.84	6.05	0.65	6.02
MPB 25mm (.984in.) Wide Belts (5M-25)																
32	P325M25-MPB	1/2	2.005	1.960	2.16	D1F	0.88	0.50	1.34	—	—	1.55	1.23	—	1.04	0.84
34	P345M25-MPB	1/2	2.130	2.085	2.29	D1F	1.00	0.50	1.34	—	—	1.68	1.23	—	1.04	0.93
36	P365M25-MPB	1/2	2.256	2.211	2.41	D1F	1.12	0.50	1.34	—	—	1.80	1.23	—	1.04	1.03
QD 25mm (.984in.) Wide Belts (5M-25)																
38	P385M25-JA	JA	2.381	2.336	2.54	●E1F	1.25	0.28	1.00	0.44	—	—	1.23	1.34	1.04	0.61
40	P405M25-JA	JA	2.506	2.461	2.66	●E1F	1.25	0.28	1.00	0.44	—	—	1.23	1.34	1.04	0.72
44	P445M25-JA	JA	2.757	2.712	2.91	●E1F	1.25	0.28	1.00	0.44	—	—	1.23	1.34	1.04	0.95
48	P485M25-JA	JA	3.008	2.963	3.16	C1F	1.25	0.16	1.00	0.00	0.28	—	1.23	2.36	1.04	0.97
52	P525M25-JA	JA	3.258	3.213	3.41	C1F	1.25	0.16	1.00	0.00	0.28	—	1.23	2.62	1.04	1.17
56	P565M25-SH	SH	3.509	3.464	3.66	D1F	1.68	0.50	1.25	0.09	0.00	—	1.23	—	1.04	1.37
60	P605M25-SH	SH	3.760	3.715	3.92	D1F	1.68	0.50	1.25	0.09	0.00	—	1.23	—	1.04	1.68
64	P645M25-SH	SH	4.010	3.965	4.16	D1F	1.68	0.50	1.25	0.09	0.00	—	1.23	—	1.04	1.80
68	P685M25-SDS	SDS	4.261	4.216	4.41	C1F	2.00	0.47	1.31	0.00	0.09	—	1.23	3.50	1.04	2.10
72	P725M25-SDS	SDS	4.511	4.466	4.66	C1F	2.00	0.47	1.31	0.00	0.09	—	1.23	3.75	1.04	2.43
80	P805M25-SDS	SDS	5.013	4.968	—	C1	2.00	0.47	1.31	0.00	0.09	—	1.23	4.25	1.04	3.15
90	P905M25-SDS	SDS	5.639	5.594	—	C1	2.00	0.47	1.31	0.00	0.09	—	1.23	4.88	1.04	4.17
112	P1125M25-SDS	SDS	7.018	6.973	—	C1	2.00	0.47	1.31	0.00	0.09	—	1.23	6.05	1.04	5.16

* Weight Shown is for Sprocket Less Bushing.
● Reverse Mount Only

+ The numbers (1=Solid, 2=Web, 3=Arms) within the "Type" indicates construction, and the letter F indicates the sprocket has flanges.

High Torque Sprockets 8mm



MPB 20mm (.787 in.) Wide Belts (8M-20)

No. of Teeth	Catalog Number	Bore	Pitch	Diameter (in.)		Type +	Max. Bore	Dimensions (in.)							Weight* Approx. (lbs)	
				O.D.	Flange			E	L	M	K	H	F	G		W
20	P208M20-MPB	1/2	2.005	1.951	2.375	D1F	7/8	3/8	1 1/4	0	—	1 1/2	1 1/2	—	7/8	.90
21	P218M20-MPB	1/2	2.105	2.051	2.468	D1F	1	3/8	1 1/4	0	—	1 1/2	1 1/2	—	7/8	1.00
22	P228M20-MPB	1/2	2.206	2.152	2.562	D1F	1 1/8	3/8	1 1/4	0	—	1 1/2	1 1/2	—	7/8	1.60

QD 20mm (.787 in.) Wide Belts (8M-20)

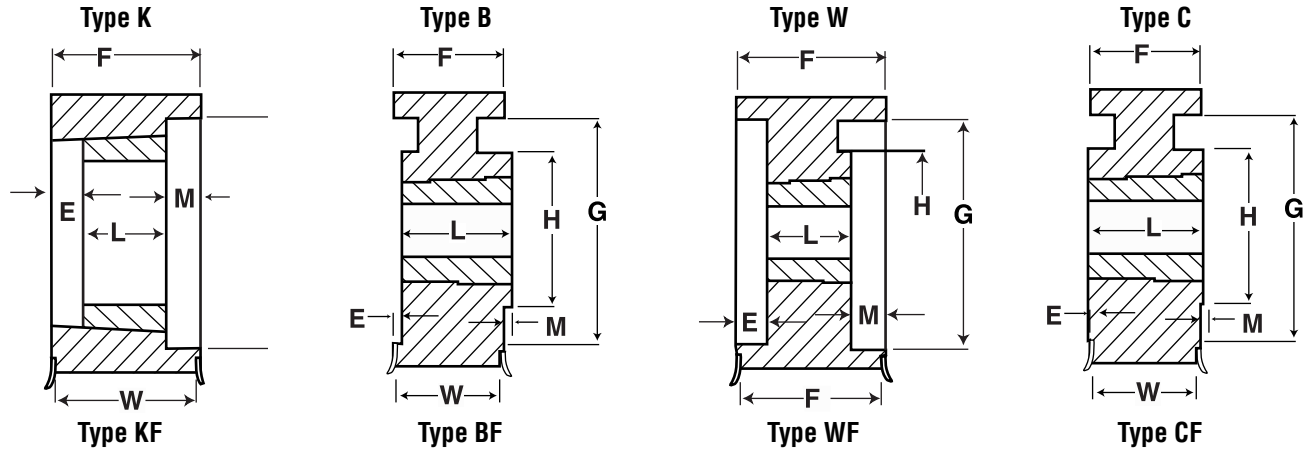
24	P248M20-JA	JA	2.406	2.352	2.750	●E1F	1 1/4	3/8	1 1/4	3/8	—	—	1 1/2	1.34	7/8	1.50
26	P268M20-JA	JA	2.607	2.553	2.937	●E1F	1 1/4	3/8	1 1/4	3/8	—	—	1 1/2	1.34	7/8	1.80
28	P288M20-H	H	2.807	2.753	3.156	●E1F	1 1/4	3/8	1 1/4	3/8	—	—	1 1/2	1.57	7/8	1.40
30	P308M20-H	H	3.008	2.954	3.344	●E1F	1 1/4	3/8	1 1/4	3/8	—	—	1 1/2	1.57	7/8	1.90
32	P328M20-H	H	3.208	3.154	3.562	C1F	1 1/4	3/8	1 1/4	0	1/4	—	1 1/2	2.56	7/8	2.00
34	P348M20-SH	SH	3.409	3.355	3.750	D1F	1 1/8	3/8	1 1/4	3/8	—	—	1 1/2	2.75	7/8	2.20
36	P368M20-SH	SH	3.609	3.555	3.937	D1F	1 1/8	3/8	1 1/4	3/8	—	—	1 1/2	2.82	7/8	2.50
38	P388M20-SH	SH	3.810	3.756	4.156	D1F	1 1/8	3/8	1 1/4	3/8	—	—	1 1/2	3.00	7/8	2.80
40	P408M20-SH	SH	4.010	3.956	4.344	D1F	1 1/8	3/8	1 1/4	3/8	—	—	1 1/2	3.00	7/8	3.00
44	P448M20-SDS	SDS	4.411	4.357	4.750	C1F	2	3/8	1 1/4	0	3/8	—	1 1/2	3.50	7/8	3.20
48	P488M20-SDS	SDS	4.812	4.758	5.157	C1F	2	3/8	1 1/4	0	3/8	—	1 1/2	3.8	7/8	3.40
56	P568M20-SDS	SDS	5.614	5.560	5.937	C1F	2	3/8	1 1/4	0	3/8	—	1 1/2	4.6	7/8	4.50
64	P648M20-SDS	SDS	6.416	6.362	6.750	C1F	2	3/8	1 1/4	0	3/8	—	1 1/2	5.4	7/8	5.50
72	P728M20-SDS	SDS	7.218	7.164	7.562	C1F	2	3/8	1 1/4	0	3/8	—	1 1/2	6.2	7/8	6.00
80	P808M20-SDS	SDS	8.020	7.966	8.375	C2F	2	3/8	1 1/4	0	3/8	—	1 1/2	6.9	7/8	6.50
90	P908M20-SDS	SDS	9.023	8.969	—	C2	2	3/8	1 1/4	0	3/8	—	1 1/2	7.62	—	7.00
112	P1128M20-SK	SK	11.229	11.175	—	C3	2 3/8	3/4	1 1/2	3/8	3/8	—	1 1/2	9.87	—	10.50
144	P1448M20-SF	SF	14.447	14.388	—	C3	2 5/8	3/4	2 1/2	3/8	3/8	—	1 1/2	12.88	—	14.50

Taper Bushed 20mm (.787 in.) Wide Belts (8M-20)

24	P248M20-1108	1108	2.406	2.352	2.75	KF-1	1	1/8	3/8	3/8	—	—	1 1/2	1.783	7/8	.7
26	P268M20-1108	1108	2.607	2.553	2.94	KF-1	1	1/8	3/8	3/8	—	—	1 1/2	1.971	7/8	.9
28	P288M20-1108	1108	2.807	2.753	3.16	KF-1	1	1/8	3/8	3/8	—	—	1 1/2	2.000	7/8	1.2
30	P308M20-1210	1210	3.008	2.954	3.34	KF-1	1 1/4	1/8	1	—	—	—	1 1/2	0	7/8	1.2
32	P328M20-1210	1210	3.208	3.154	3.56	KF-1	1 1/4	1/8	1	—	—	—	1 1/2	0	7/8	1.4
34	P348M20-1610	1610	3.409	3.355	3.75	KF-1	1 1/8	3/8	1	—	—	—	1 1/2	0	7/8	1.4
36	P368M20-1610	1610	3.609	3.555	3.94	KF-1	1 1/8	3/8	1	—	—	—	1 1/2	0	7/8	1.7
38	P388M20-1610	1610	3.810	3.756	4.16	KF-1	1 1/8	3/8	1	—	—	—	1 1/2	0	7/8	2.0
40	P408M20-1610	1610	4.010	3.956	4.34	KF-1	1 1/8	3/8	1	—	—	—	1 1/2	0	7/8	2.4
44	P448M20-2012	2012	4.411	4.357	4.75	CF-1	2 1/2	—	1 1/4	3/8	—	3 7/32	1 1/2	0	7/8	2.6
48	P488M20-2012	2012	4.812	4.758	5.16	CF-1	2 1/2	—	1 1/4	3/8	—	3 3/4	1 1/2	0	7/8	3.4
56	P568M20-2012	2012	5.614	5.560	5.94	CF-1	2 1/2	—	1 1/4	3/8	—	3 3/4	1 1/2	0	7/8	5.3
64	P648M20-2012	2012	6.416	6.362	6.75	CF-1	2 1/2	—	1 1/4	3/8	—	4 1/4	1 1/2	0	7/8	7.5
72	P728M20-2012	2012	7.218	7.164	7.56	CF-1	2 1/2	—	1 1/4	3/8	—	4 1/4	1 1/2	0	7/8	9.9
80	P808M20-2517	2517	8.020	7.966	8.38	CF-2	2 1/8	—	1 1/4	3/8	—	4 1/4	1 1/2	6.900	7/8	11.9
90	P908M20-2517	2517	9.023	8.969	—	C-2	2 1/8	—	1 1/4	3/8	—	—	1 1/2	7.630	—	12.9

* Weight Shown is for Sprocket Less Bushing.
● Reverse Mount Only

+ The numbers (1=Solid, 2=Web, 3=Arms) within the "Type" indicates construction, and the letter F indicates the sprocket has flanges.

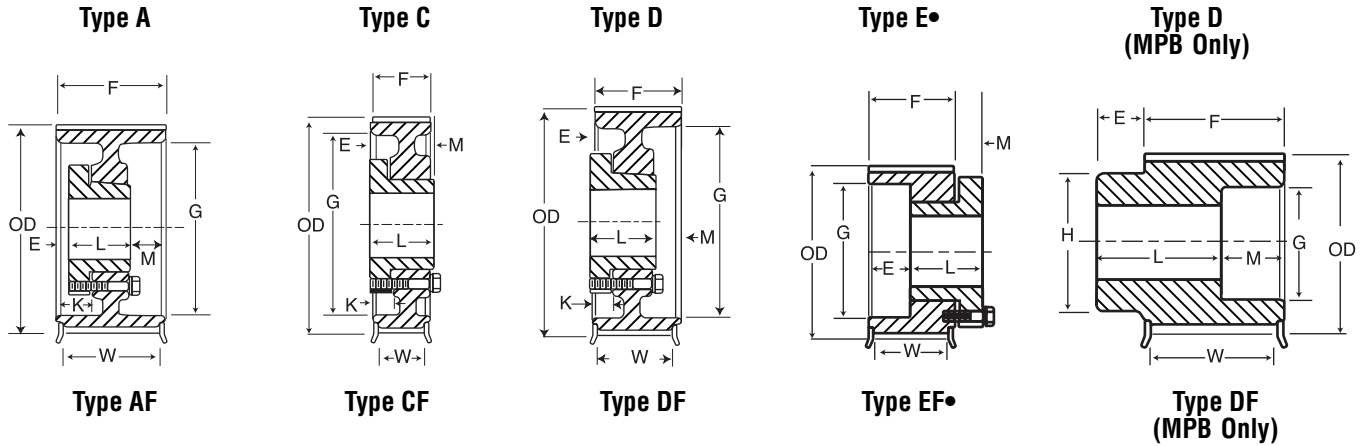


MPB 30mm (1.18in.) Wide Belts (8M-30)																
No. of Teeth	Catalog Number	Bore	Pitch	Diameter (in.)		Type +	Max. Bore	Dimensions (in.)							Weight* Approx. (lbs)	
				O.D.	Flange			E	L	M	K	H	F	G		W
20	P208M30-MPB	½	2.005	1.951	2.375	D1F	¾	¾	2½	0	—	1½	1½	—	1½	1.10
30	P218M30-MPB	½	2.105	2.051	2.468	D1F	1	¾	2½	0	—	1½	1½	—	1½	1.30
22	P228M30-MPB	½	2.206	2.152	2.562	D1F	1¼	¾	2½	0	—	1½	1½	—	1½	1.40
24	P248M30-MPB	½	2.406	2.352	2.750	D1F	1½	¾	2½	0	—	1¾	1½	—	1½	1.80
26	P268M30-MPB	½	2.607	2.553	2.937	D1F	1¾	¾	2½	0	—	2	1½	—	1½	2.20
QD 30mm (1.18in.) Wide Belts (8M-30)																
28	P288M30-H	H	2.807	2.753	3.156	●E1F	1¼	¾	1¼	¾	—	—	1½	1.57	1¼	1.70
30	P308M30-H	H	3.008	2.954	3.344	●E1F	1½	¾	1¼	¾	—	—	1½	1.57	1¼	1.90
32	P328M30-H	H	3.208	3.154	3.562	B1F	1½	¾	1¼	0	¾	—	1½	2.56	1¼	2.10
34	P348M30-SH	SH	3.409	3.355	3.750	A1F	1¾	¾	1¼	½	1½	—	1½	2.75	1¼	2.40
36	P368M30-SH	SH	3.609	3.555	3.937	A1F	1¾	¾	1¼	½	1½	—	1½	2.82	1¼	2.80
38	P388M30-SH	SH	3.810	3.756	4.156	A1F	1¾	¾	1¼	½	1½	—	1½	3.00	1¼	3.20
40	P408M30-SH	SH	4.010	3.956	4.344	A1F	1¾	¾	1¼	½	1½	—	1½	3.00	1¼	3.60
44	P448M30-SDS	SDS	4.411	4.357	4.750	B1F	1¾	¾	1¼	0	¾	—	1½	3.50	1¼	3.80
48	P488M30-SDS	SDS	4.812	4.758	5.157	B1F	2	¾	1¼	0	¾	—	1½	3.80	1¼	4.20
56	P568M30-SDS	SDS	5.614	5.560	5.937	B1F	2	¾	1¼	0	¾	—	1½	4.60	1¼	4.80
64	P648M30-SK	SK	6.416	6.362	6.750	C1F	2	¾	1¼	0	¾	—	1½	5.40	1¼	6.10
72	P728M30-SK	SK	7.218	7.164	7.562	C1F	2½	¾	1¼	0	¾	—	1½	6.20	1¼	6.80
80	P808M30-SK	SK	8.020	7.966	8.375	C2F	2½	¾	1¼	0	¾	—	1½	6.90	1¼	7.50
90	P908M30-SK	SK	9.023	8.969	—	C2	2½	¾	1¼	0	¾	—	1½	7.62	—	11.00
112	P1128M30-SK	SK	11.229	11.175	—	C3	2½	¾	1¼	0	¾	—	1½	9.87	—	13.00
144	P1448M30-SF	SF	14.447	14.383	—	C3	2¾	¾	2¼	0	¾	—	1½	12.88	—	25.50
192	P1928M30-E	E	19.249	19.195	—	C3	—	1¾	2½	½	¾	—	1½	17.63	—	30.00
Taper Bushed 30mm (1.18in.) Wide Belts (8M-30)																
24	P248M30-1108	1108	2.406	2.352	2.75	KF-1	1	½	¾	½	—	—	1½	1.783	1¼	.9
26	P268M30-1108	1108	2.607	2.553	2.94	KF-1	1	½	¾	½	—	—	1½	1.971	1¼	1.2
28	P288M30-1108	1108	2.807	2.753	3.16	KF-1	1	½	¾	½	—	—	1½	2.000	1¼	1.6
30	P308M30-1210	1210	3.008	2.954	3.34	KF-1	1¼	½	1	¾	—	—	1½	2.345	1¼	1.5
32	P328M30-1210	1210	3.208	3.154	3.56	KF-1	1¼	½	1	¾	—	—	1½	2.560	1¼	1.9
34	P348M30-1610	1610	3.409	3.355	3.75	KF-1	1¾	½	1	¾	—	—	1½	2.750	1¼	2.3
36	P368M30-1610	1610	3.609	3.555	3.94	KF-1	1¾	½	1	¾	—	—	1½	2.820	1¼	2.2
38	P388M30-1610	1610	3.810	3.756	4.16	KF-1	1¾	½	1	¾	—	—	1½	3.000	1¼	2.7
40	P408M30-2012	2012	4.010	3.956	4.34	KF-1	2½	—	1¼	—	—	—	1½	3.250	1¼	2.4
44	P448M30-2012	2012	4.411	4.357	4.75	KF-1	2½	—	1¼	—	¼	—	1½	3.500	1¼	3.4
48	P488M30-2012	2012	4.812	4.758	5.16	KF-1	2½	—	1¼	—	¼	—	1½	3.800	1¼	4.5
56	P568M30-2012	2012	5.614	5.560	5.94	KF-1	2½	—	1¼	—	¼	—	1½	4.600	1¼	7.0
64	P648M30-2517	2517	6.416	6.362	6.75	CF-1	2¾	—	1¼	—	¼	4½	1½	0	1¼	8.9
72	P728M30-2517	2517	7.218	7.164	7.56	CF-1	2¾	—	1¼	—	¼	4½	1½	0	1¼	12.1
80	P808M30-2517	2517	8.020	7.966	8.38	CF-2	2¾	—	1¼	—	¼	4½	1½	0	1¼	15.8
90	P908M30-2517	2517	9.023	8.969	—	C-2	2¾	½	1¼	—	¼	4½	1½	7.630	—	13.8
112	P1128M30-2517	2517	11.229	11.175	—	C-3	2¾	½	1¼	—	¼	4½	1½	9.880	—	23.5

* Weight Shown is for Sprocket Less Bushing.
● Reverse Mount Only

+ The numbers (1=Solid, 2=Web, 3=Arms) within the "Type" indicates construction, and the letter F indicates the sprocket has flanges.

High Torque Sprockets 8mm



MPB 50mm (1.97 in.) Wide Belts (8M-50)

No. of Teeth	Catalog Number	Bore	Pitch	Diameter (in.)		Type +	Max. Bore	Dimensions (in.)							Weight* Approx. (lbs)	
				O.D.	Flange			E	L	M	K	H	F	G		W
28	P288M50-MPB	1/2	2.807	2.753	3.156	D1F	1 1/4	3/4	3 3/8	0	—	2 1/2	2 1/2	—	2 1/2	4.2
30	P308M50-MPB	1/2	3.008	2.954	3.344	D1F	1 1/4	3/4	3 3/8	0	—	2 15/32	2 1/2	—	2 1/2	4.9
32	P328M50-MPB	1/2	3.208	3.154	3.562	D1F	1 1/4	3/4	3 3/8	0	—	2 19/32	2 1/2	—	2 1/2	5.4

QD 50mm (1.97 in.) Wide Belts (8M-50)

32	P328M50-H	H	3.208	3.154	3.562	A1F	1 1/4	1/2	1 1/4	3/8	3/4	—	2 1/2	2.56	2 1/2	2.9
34	P348M50-SH	SH	3.409	3.355	3.750	A1	1 1/4	0	1 1/4	1 1/8	1/2	—	2 1/2	2.75	2 1/2	3.2
36	P368M50-SH	SH	3.609	3.555	3.937	A1	1 1/4	0	1 1/4	1 1/8	1/2	—	2 1/2	2.82	2 1/2	3.8
38	P388M50-SH	SH	3.810	3.756	4.156	A1	1 1/4	0	1 1/4	1 1/8	1/2	—	2 1/2	3.00	2 1/2	4.2
40	P408M50-SH	SH	4.010	3.956	4.344	A1	1 1/4	0	1 1/4	1 1/8	1/2	—	2 1/2	3.00	2 1/2	4.6
44	P448M50-SD	SD	4.411	4.357	4.750	A1	2	0	1 1/8	3/8	3/8	—	2 1/2	3.50	2 1/2	5.2
48	P488M50-SD	SD	4.812	4.758	5.157	A1	2	0	1 1/8	3/8	3/8	—	2 1/2	3.80	2 1/2	6.0
56	P568M50-SK	SK	5.614	5.560	5.937	D1F	2 1/2	1/8	1 1/8	3/8	3/8	—	2 1/2	4.60	2 1/2	7.6
64	P648M50-SK	SK	6.416	6.362	6.750	D1F	2 1/2	1/8	1 1/8	3/8	3/8	—	2 1/2	5.40	2 1/2	10.3
72	P728M50-SK	SK	7.218	7.164	7.562	D1F	2 1/2	1/8	1 1/8	3/8	3/8	—	2 1/2	6.20	2 1/2	13.3
80	P808M50-SF	SF	8.020	7.966	8.326	D1F	2 1/2	1/8	2	3/8	3/8	—	2 1/2	6.90	2 1/2	12.7
90	P908M50-SF	SF	9.023	8.969	—	D2	2 1/2	1/8	2	3/8	3/8	—	2 1/2	7.62	2 1/2	16.0
112	P1128M50-SF	SF	11.229	11.175	—	D3	2 1/2	1/8	2	3/8	3/8	—	2 1/2	9.88	2 1/2	21.0
144	P1448M50-E	E	14.437	14.383	—	D3	3 1/2	1/2	2 1/2	2	3/8	—	2 1/2	12.88	2 1/2	35.0
192	P1928M50-E	E	19.249	19.195	—	D3	3 1/2	1/2	2 1/2	2	3/8	—	2 1/2	17.63	2 1/2	45.0

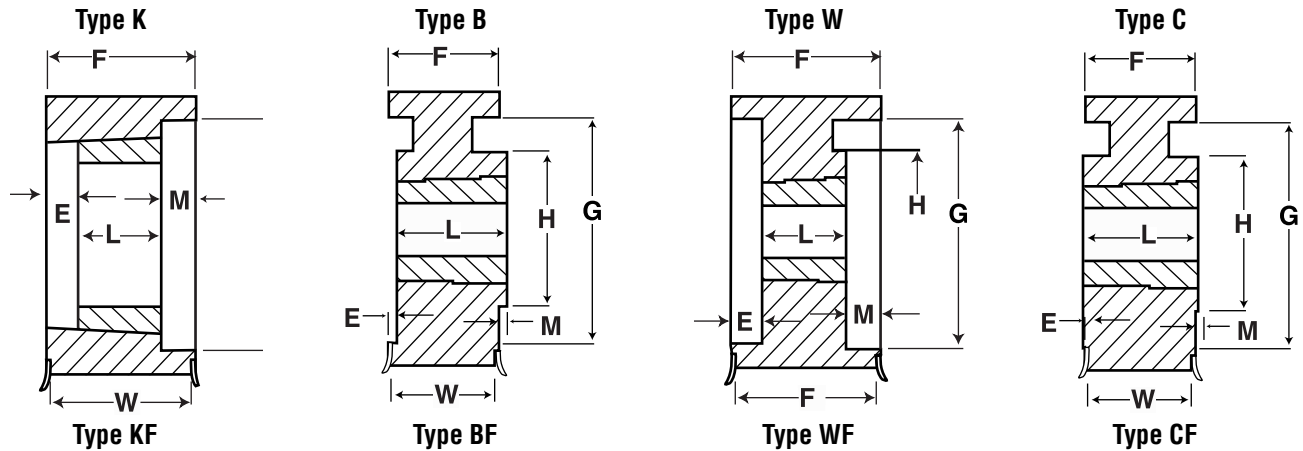
Taper Bushed 50mm (1.97 in.) Wide Belts (8M-50)

28	P288M50-1108	1108	2.807	2.753	3.16	KF-1	1	—	7/8	1 1/2	—	—	2 1/2	2.000	2 1/2	2.1
30	P308M50-1210	1210	3.008	2.954	3.34	KF-1	1 1/4	—	1	1 1/8	—	—	2 1/2	2.345	2 1/2	2.2
32	P328M50-1210	1210	3.208	3.154	3.56	KF-1	1 1/4	—	1	1 1/8	—	—	2 1/2	2.560	2 1/2	2.1
34	P348M50-1610	1610	3.409	3.355	3.75	KF-1	1 1/4	—	1	1 1/8	—	—	2 1/2	2.750	2 1/2	2.1
36	P368M50-1610	1610	3.609	3.555	3.94	KF-1	1 1/4	—	1	1 1/8	—	—	2 1/2	2.820	2 1/2	2.7
38	P388M50-1610	1610	3.810	3.756	4.16	KF-1	1 1/4	—	1	1 1/8	—	—	2 1/2	3.000	2 1/2	3.1
40	P408M50-2012	2012	4.010	3.956	4.34	KF-1	2	—	1 1/4	1 1/8	—	—	2 1/2	3.250	2 1/2	3.4
44	P448M50-2012	2012	4.411	4.357	4.75	KF-1	2	—	1 1/4	1 1/8	—	—	2 1/2	3.500	2 1/2	4.3
48	P488M50-2012	2012	4.812	4.758	5.16	KF-1	2 1/2	—	1 1/4	1 1/8	—	—	2 1/2	3.800	2 1/2	5.5
56	P568M50-2517	2517	5.614	5.560	5.94	KF-1	2 1/2	—	1 1/4	3/8	—	—	2 1/2	4.600	2 1/2	8.1
64	P648M50-2517	2517	6.416	6.362	6.75	KF-1	2 1/2	—	1 1/4	3/8	—	—	2 1/2	5.400	2 1/2	11.7
72	P728M50-2517	2517	7.218	7.164	7.56	KF-1	2 1/2	—	1 1/4	3/8	—	—	2 1/2	6.200	2 1/2	15.7
80	P808M50-2517	2517	8.020	7.966	8.38	KF-1	2 1/2	—	1 1/4	3/8	—	—	2 1/2	6.900	2 1/2	20.3
90	P908M50-3020	3020	9.023	8.969	—	W-1	3 1/4	—	2	3/8	—	—	2 1/2	7.630	2 1/2	31.7
112	P1128M50-3020	3020	11.229	11.175	—	W-3	3 1/4	—	2	3/8	—	6 1/4	2 1/2	9.880	2 1/2	34.7
144	P1448M50-3020	3020	14.437	14.383	—	W-3	3 1/4	—	2	3/8	—	7 1/2	2 1/2	12.880	2 1/2	36.0
192	P1928M50-3020	3020	19.249	19.195	—	W-3	3 1/4	—	2	3/8	—	7 1/2	2 1/2	17.630	2 1/2	67.2

* Weight Shown is for Sprocket Less Bushing.

● Reverse Mount Only

+ The numbers (1=Solid, 2=Web, 3=Arms) within the "Type" indicates construction, and the letter F indicates the sprocket has flanges.

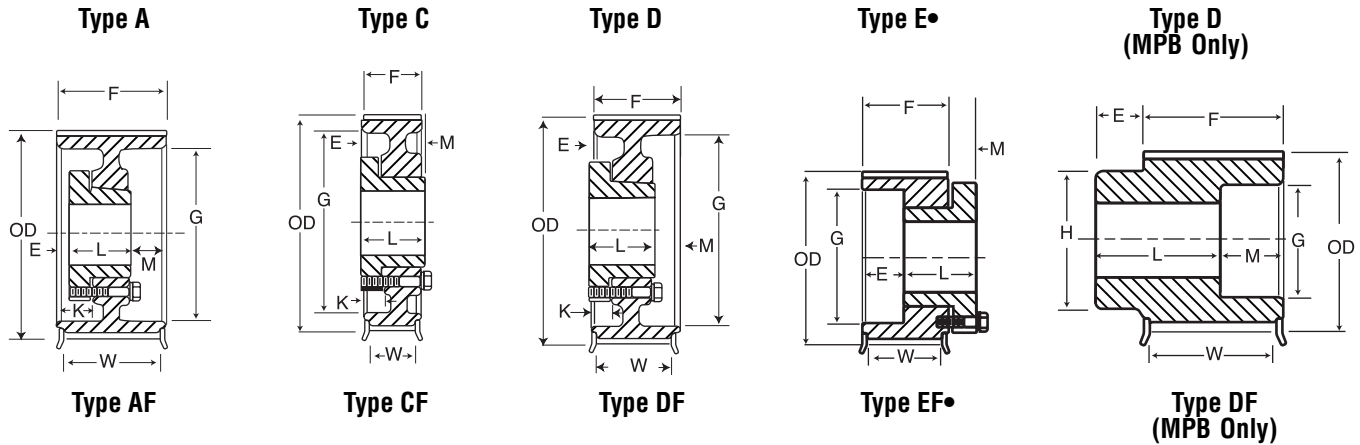


MPB 85mm (3.35 in.) Wide Belts (8M-85)																
No. of Teeth	Catalog Number	Bore	Pitch	Diameter (in.)		Type +	Max. Bore	Dimensions (in.)								Weight Approx. (lbs)
				O.D.	Flange			E	L	M	K	H	F	G	W	
34	P348M85-MPB	3/4	3.409	3.355	3.750	D1F	1 1/16	3/4	4 1/2	0	—	2 5/16	3 3/4	—	3 1/2	10.00
36	P368M85-MPB	3/4	3.609	3.555	3.937	D1F	1 1/4	3/4	4 1/2	0	—	3	3 3/4	—	3 1/2	11.30
38	P388M85-MPB	3/4	3.810	3.756	4.156	D1F	1 5/16	3/4	4 1/2	0	—	3 3/16	3 3/4	—	3 1/2	12.60
40	P408M85-MPB	3/4	4.010	3.956	4.344	D1F	2 1/8	3/4	4 1/2	0	—	3 13/32	3 3/4	—	3 1/2	14.90
44	P448M85-MPB	3/4	4.411	4.357	4.750	D1F	2 1/4	3/4	4 1/2	0	—	3 5/16	3 3/4	—	3 1/2	17.20
48	P488M85-MPB	3/4	4.812	4.758	5.157	D1F	2 1/2	3/4	4 1/2	0	—	4 3/16	3 3/4	—	3 1/2	20.60
56	P568M85-MPB	7/8	5.614	5.560	5.937	D1F	3	3/4	4 1/2	0	—	5	3 3/4	—	3 1/2	28.00
QD 85mm (3.35 in.) Wide Belts (8M-85)																
34	P348M85-SH	SH	3.409	3.355	3.819	A1F	1 1/16	1	1 1/4	1 1/2	1 1/2	—	3 3/4	2.75	3 1/2	4.6
36	P368M85-SH	SH	3.609	3.555	3.937	A1F	1 1/16	1	1 1/4	1 1/2	1 1/2	—	3 3/4	2.82	3 1/2	5.2
38	P388M85-SH	SH	3.810	3.756	4.134	A1F	1 1/16	1	1 1/4	1 1/2	1 1/2	—	3 3/4	3.00	3 1/2	5.8
40	P408M85-SD	SD	4.010	3.956	4.344	A1F	2	1 1/16	1 1/8	1 1/4	1 1/4	—	3 3/4	3.25	3 1/2	5.6
44	P448M85-SD	SD	4.411	4.357	4.750	A1F	2	1 1/16	1 1/8	1 1/4	1 1/4	—	3 3/4	3.50	3 1/2	6.2
48	P488M85-SD	SD	4.812	4.758	5.157	A1F	2	1 1/16	1 1/8	1 1/4	1 1/4	—	3 3/4	3.80	3 1/2	7.8
56	P568M85-SK	SK	5.614	5.560	5.937	A1F	2 3/8	3/8	1 1/8	1 1/4	1 1/4	—	3 3/4	4.60	3 1/2	9.8
64	P648M85-SF	SF	6.416	6.362	6.750	A1F	2 3/8	3/8	1 1/8	1 1/4	1 1/4	—	3 3/4	5.40	3 1/2	13.0
72	P728M85-E	E	7.218	7.164	7.562	A1F	2 5/16	3/8	2	1 1/8	1 1/4	—	3 3/4	6.20	3 1/2	16.0
80	P808M85-E	E	8.020	7.966	8.375	A1 F	2 5/16	3/8	2	1 1/8	1 1/4	—	3 3/4	6.90	3 1/2	17.0
90	P908M85-E	E	9.023	8.969	—	A2	2 5/16	3/8	2	1 1/8	1 1/4	—	3 3/4	7.62	—	20.0
112	P1128M85-F	F	11.229	11.175	—	A3	2 5/16	3/8	2	1 1/8	1 1/4	—	3 3/4	9.88	—	28.0
144	P1448M85-F	F	14.447	14.383	—	A3	4	3/8	3 3/8	1 1/4	1 1/4	—	3 3/4	12 7/8	3 1/2	64.50
192	P1928M85-F	F	19.249	19.195	—	A3	4	3/8	3 3/8	1 1/2	1 1/2	—	3 3/4	17 1/4	3 1/2	78.10
Taper Bushed 85mm (3.35 in.) Wide Belts (8M-85)																
34	P348M85-1615	1615	3.409	3.355	3.75	WF-1	1 1/16	3/4	1 1/2	1 1/2	—	—	3 3/4	2.750	3 1/2	3.3
36	P368M85-1615	1615	3.609	3.555	3.94	WF-1	1 1/16	3/4	1 1/2	1 1/2	—	—	3 3/4	2.820	3 1/2	4.2
38	P388M85-1615	1615	3.810	3.756	4.16	WF-1	1 1/16	3/4	1 1/2	1 1/2	—	—	3 3/4	3.000	3 1/2	4.7
40	P408M85-2012	2012	4.010	3.956	4.34	WF-1	2 1/8	1 1/4	1 1/4	1 1/4	—	—	3 3/4	3.250	3 1/2	4.7
44	P448M85-2012	2012	4.411	4.357	4.75	WF-1	2 1/8	1 1/4	1 1/4	1 1/4	—	—	3 3/4	3.500	3 1/2	6.4
48	P488M85-2012	2012	4.812	4.758	5.16	WF-1	2 1/8	1 1/4	1 1/4	1 1/4	—	—	3 3/4	3.800	3 1/2	8.0
56	P568M85-2517	2517	5.614	5.560	5.94	WF-1	2 1/16	1	1 1/4	1	—	—	3 3/4	4.500	3 1/2	11.0
64	P648M85-2517	2517	6.416	6.362	6.75	WF-1	2 1/16	1	1 1/4	1	—	—	3 3/4	5.400	3 1/2	15.0
72	P728M85-3020	3020	7.218	7.164	7.56	WF-1	3 1/4	7/8	2	7/8	—	—	3 3/4	6.200	3 1/2	18.2
80	P808M85-3020	3020	8.020	7.966	8.38	WF-1	3 1/4	7/8	2	7/8	—	—	3 3/4	6.900	3 1/2	24.2
90	P908M85-3020	3020	9.023	8.969	—	W-1	3 3/4	7/8	2	7/8	—	—	3 3/4	7.630	—	31.9
112	P1128M85-3020	3020	11.229	11.175	—	W-3	3 3/4	7/8	2	7/8	—	6 1/4	3 3/4	9.880	—	34.6
144	P1448M85-3535	3535	14.437	14.383	—	W-3	3 5/16	1 1/8	3 1/2	1 1/8	—	7	3 3/4	12.880	—	49.6
192	P1928M85-3535	3535	19.249	19.195	—	W-3	3 5/16	1 1/8	3 1/2	1 1/8	—	7	3 3/4	17.630	—	81.4

* Weight Shown is for Sprocket Less Bushing.
• Reverse Mount Only

+ The numbers (1=Solid, 2=Web, 3=Arms), within the "Type" indicates construction and the letter F indicates the sprocket has flanges.

High Torque Sprockets 14mm



QD 40mm (1.570 in.) Wide Belts (140M-40)

No. of Teeth	Catalog Number	Bore	P.D.	Diameter (in.)			Type +	Max. Bore	Dimensions (in.)								Weight Approx. (lbs)
				O.D.	Flange	E			L	M	K	H	F	G	W		
28	P2814M40-SK	SK	4.912	4.802	5.56	●E1F	2 $\frac{1}{2}$	$\frac{7}{8}$	1 $\frac{1}{2}$	$\frac{5}{8}$	—	—	2 $\frac{1}{2}$	3.13	1 $\frac{13}{16}$	5.5	
29	P2914M40-SK	SK	5.088	4.978	5.56	●E1F	2 $\frac{1}{2}$	$\frac{7}{8}$	1 $\frac{1}{2}$	$\frac{5}{8}$	—	—	2 $\frac{1}{2}$	3.13	1 $\frac{13}{16}$	6.5	
30	P3014M40-SK	SK	5.263	5.153	6.13	D1F	2 $\frac{1}{2}$	$\frac{3}{4}$	1 $\frac{1}{2}$	$\frac{7}{16}$	—	—	2 $\frac{1}{2}$	3.92	1 $\frac{13}{16}$	6.0	
32	P3214M40-SK	SK	5.614	5.504	6.13	D1F	2 $\frac{1}{2}$	$\frac{3}{4}$	1 $\frac{1}{2}$	$\frac{7}{16}$	$\frac{7}{16}$	—	2 $\frac{1}{2}$	3.92	1 $\frac{13}{16}$	8.0	
34	P3414M40-SK	SK	5.965	5.855	6.50	D1F	2 $\frac{1}{2}$	$\frac{3}{4}$	1 $\frac{1}{2}$	$\frac{7}{16}$	$\frac{7}{16}$	—	2 $\frac{1}{2}$	4.06	1 $\frac{13}{16}$	8.5	
36	P3614M40-SF	SF	6.316	6.206	6.81	D1F	2 $\frac{1}{2}$	$\frac{3}{4}$	2	$\frac{5}{16}$	$\frac{7}{16}$	—	2 $\frac{1}{2}$	4.69	1 $\frac{13}{16}$	9.5	
38	P3814M40-SF	SF	6.667	6.557	7.16	D1F	2 $\frac{1}{2}$	$\frac{3}{4}$	2	$\frac{5}{16}$	$\frac{7}{16}$	—	2 $\frac{1}{2}$	4.94	1 $\frac{13}{16}$	11.5	
40	P4014M40-SF	SF	7.018	6.909	7.50	D1F	2 $\frac{1}{2}$	$\frac{3}{4}$	2	$\frac{5}{16}$	$\frac{7}{16}$	—	2 $\frac{1}{2}$	5.06	1 $\frac{13}{16}$	13.0	
44	P4414M40-E	E	7.720	7.610	8.22	D1F	3 $\frac{1}{2}$	$\frac{3}{4}$	2 $\frac{1}{2}$	$\frac{1}{2}$	$\frac{1}{4}$	—	2 $\frac{1}{2}$	6.12	1 $\frac{13}{16}$	16.5	
48	P4814M40-E	E	8.421	8.311	8.94	D1F	3 $\frac{1}{2}$	$\frac{3}{4}$	2 $\frac{1}{2}$	$\frac{1}{2}$	$\frac{1}{4}$	—	2 $\frac{1}{2}$	6.50	1 $\frac{13}{16}$	20.0	
52	P5214M40-E	E	9.123	9.013	9.69	D1F	3 $\frac{1}{2}$	$\frac{3}{4}$	2 $\frac{1}{2}$	$\frac{1}{2}$	$\frac{1}{4}$	—	2 $\frac{1}{2}$	7.18	1 $\frac{13}{16}$	24.0	
56	P5614M40-E	E	9.825	9.715	10.38	D1F	3 $\frac{1}{2}$	$\frac{3}{4}$	2 $\frac{1}{2}$	$\frac{1}{2}$	$\frac{1}{4}$	—	2 $\frac{1}{2}$	7.88	1 $\frac{13}{16}$	28.0	
60	P6014M40-E	E	10.527	10.417	11.06	D1F	3 $\frac{1}{2}$	$\frac{3}{4}$	2 $\frac{1}{2}$	$\frac{1}{2}$	$\frac{1}{4}$	—	2 $\frac{1}{2}$	8.50	1 $\frac{13}{16}$	32.0	
64	P6414M40-E	E	11.229	11.119	11.75	D2F	3 $\frac{1}{2}$	$\frac{3}{4}$	2 $\frac{1}{2}$	$\frac{1}{2}$	$\frac{1}{4}$	—	2 $\frac{1}{2}$	9.25	1 $\frac{13}{16}$	29.0	
68	P6814M40-E	E	11.930	11.820	12.50	D2F	3 $\frac{1}{2}$	$\frac{3}{4}$	2 $\frac{1}{2}$	$\frac{1}{2}$	$\frac{1}{4}$	—	2 $\frac{1}{2}$	10.00	1 $\frac{13}{16}$	31.0	
72	P7214M40-E	E	12.632	12.522	13.19	D2F	3 $\frac{1}{2}$	$\frac{3}{4}$	2 $\frac{1}{2}$	$\frac{1}{2}$	$\frac{1}{4}$	—	2 $\frac{1}{2}$	10.69	1 $\frac{13}{16}$	33.0	
80	P8014M40-E	E	14.036	13.926	14.63	D2F	3 $\frac{1}{2}$	$\frac{3}{4}$	2 $\frac{1}{2}$	$\frac{1}{2}$	$\frac{1}{4}$	—	2 $\frac{1}{2}$	12.13	1 $\frac{13}{16}$	38.0	
90	P9014M40-E	E	15.790	15.680	—	D3	3 $\frac{1}{2}$	$\frac{3}{4}$	2 $\frac{1}{2}$	$\frac{1}{2}$	$\frac{1}{4}$	—	2 $\frac{1}{2}$	14.00	—	39.0	
112	P11214M40-E	E	19.650	19.540	—	D3	3 $\frac{1}{2}$	$\frac{3}{4}$	2 $\frac{1}{2}$	$\frac{1}{2}$	$\frac{1}{4}$	—	2 $\frac{1}{2}$	17.80	—	51.0	
144	P14414M40-E	E	25.264	25.154	—	D3	3 $\frac{1}{2}$	$\frac{3}{4}$	2 $\frac{1}{2}$	$\frac{1}{2}$	$\frac{1}{4}$	—	2 $\frac{1}{2}$	23.38	—	80.0	

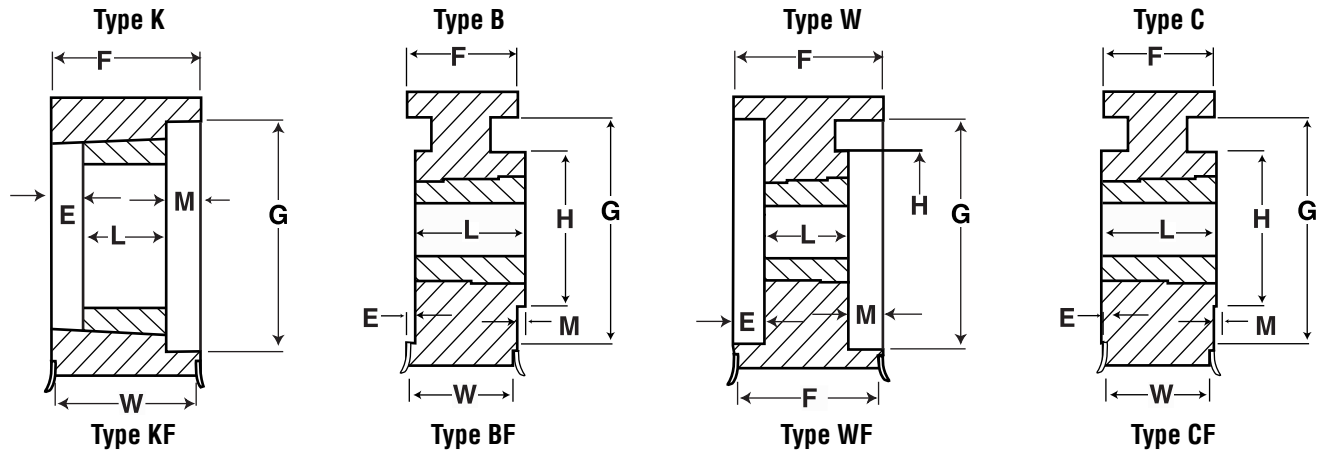
Taper Bushed 40mm (1.570 in.) Wide Belts (140M-40)

28	P2814M40-2012	2012	4.912	4.802	5.56	KF-1	2 $\frac{1}{2}$	—	1 $\frac{1}{4}$	$\frac{7}{8}$	—	—	2 $\frac{1}{2}$	3.375	1 $\frac{13}{16}$	3.5
29	P2914M40-2012	2012	5.088	4.978	5.56	KF-1	2 $\frac{1}{2}$	—	1 $\frac{1}{4}$	$\frac{7}{8}$	—	—	2 $\frac{1}{2}$	3.375	1 $\frac{13}{16}$	3.9
30	P3014M40-2012	2012	5.263	5.153	6.13	KF-1	2 $\frac{1}{2}$	—	1 $\frac{1}{4}$	$\frac{7}{8}$	—	—	2 $\frac{1}{2}$	3.928	1 $\frac{13}{16}$	6.4
32	P3214M40-2012	2012	5.614	5.504	6.13	KF-1	2 $\frac{1}{2}$	—	1 $\frac{1}{4}$	$\frac{7}{8}$	—	—	2 $\frac{1}{2}$	3.928	1 $\frac{13}{16}$	8.0
34	P3414M40-2012	2012	5.965	5.855	6.50	KF-1	2 $\frac{1}{2}$	—	1 $\frac{1}{4}$	$\frac{7}{8}$	—	—	2 $\frac{1}{2}$	4.063	1 $\frac{13}{16}$	9.4
36	P3614M40-2517	2517	6.316	6.206	6.81	KF-1	2 $\frac{11}{16}$	—	1 $\frac{1}{4}$	$\frac{3}{8}$	—	—	2 $\frac{1}{2}$	4.688	1 $\frac{13}{16}$	10.5
38	P3814M40-2517	2517	6.667	6.557	7.16	KF-1	2 $\frac{11}{16}$	—	1 $\frac{1}{4}$	$\frac{3}{8}$	—	—	2 $\frac{1}{2}$	4.813	1 $\frac{13}{16}$	12.2
40	P4014M40-2517	2517	7.018	6.908	7.50	KF-1	2 $\frac{11}{16}$	—	1 $\frac{1}{4}$	$\frac{3}{8}$	—	—	2 $\frac{1}{2}$	5.188	1 $\frac{13}{16}$	14.2
44	P4414M40-2517	2517	7.720	7.610	8.22	KF-1	2 $\frac{11}{16}$	—	1 $\frac{1}{4}$	$\frac{3}{8}$	—	—	2 $\frac{1}{2}$	6.125	1 $\frac{13}{16}$	17.6
48	P4814M40-2517	2517	8.421	8.311	8.94	KF-1	2 $\frac{11}{16}$	—	1 $\frac{1}{4}$	$\frac{3}{8}$	—	—	2 $\frac{1}{2}$	6.500	1 $\frac{13}{16}$	22.0
52	P5214M40-2517	2517	9.123	9.013	9.69	KF-1	2 $\frac{11}{16}$	—	1 $\frac{1}{4}$	$\frac{3}{8}$	—	—	2 $\frac{1}{2}$	7.188	1 $\frac{13}{16}$	26.5
56	P5614M40-2517	2517	9.825	9.715	10.38	WF-2	2 $\frac{11}{16}$	—	1 $\frac{1}{4}$	$\frac{3}{8}$	4 $\frac{1}{2}$	—	2 $\frac{1}{2}$	7.875	1 $\frac{13}{16}$	21.5
60	P6014M40-3020	3020	10.527	10.417	11.06	WF-2	3 $\frac{1}{4}$	—	2	$\frac{1}{8}$	6 $\frac{1}{4}$	—	2 $\frac{1}{2}$	8.500	1 $\frac{13}{16}$	33.7
64	P6414M40-3020	3020	11.229	11.119	11.75	WF-2	3 $\frac{1}{4}$	—	2	$\frac{1}{8}$	6 $\frac{1}{4}$	—	2 $\frac{1}{2}$	9.250	1 $\frac{13}{16}$	36.5
68	P6814M40-3020	3020	11.930	11.820	12.50	WF-2	3 $\frac{1}{4}$	—	2	$\frac{1}{8}$	6 $\frac{1}{4}$	—	2 $\frac{1}{2}$	10.000	1 $\frac{13}{16}$	39.3
72	P7214M40-3020	3020	12.632	12.522	13.19	WF-2	3 $\frac{1}{4}$	—	2	$\frac{1}{8}$	6 $\frac{1}{4}$	—	2 $\frac{1}{2}$	10.688	1 $\frac{13}{16}$	42.6
80	P8014M40-3020	3020	14.036	13.926	14.63	WF-3	3 $\frac{1}{4}$	—	2	$\frac{1}{8}$	6 $\frac{1}{4}$	—	2 $\frac{1}{2}$	12.125	1 $\frac{13}{16}$	38.8
90	P9014M40-3020	3020	15.790	15.680	—	W-3	3 $\frac{1}{4}$	—	2	$\frac{1}{8}$	6 $\frac{1}{4}$	—	2 $\frac{1}{2}$	13.563	—	44.5
112	P11214M40-3020	3020	19.650	19.540	—	W-3	3 $\frac{1}{4}$	—	2	$\frac{1}{8}$	6 $\frac{1}{4}$	—	2 $\frac{1}{2}$	17.375	—	64.9
144	P14414M40-3020	3020	25.264	25.154	—	W-3	3 $\frac{1}{4}$	—	2	$\frac{1}{8}$	6 $\frac{1}{4}$	—	2 $\frac{1}{2}$	23.000	—	97.4

* Weight Shown is for Sprocket Less Bushing.

• Reverse Mount Only

+ The numbers (1=Solid, 2=Web, 3=Arms), within the "Type" indicates construction and the letter F indicates the sprocket has flanges.



QD 55mm (2.17 in.) Wide Belts (14M-55)																
No. of Teeth	Catalog Number	Bore	P.D.	Diameter (in.)		Type +	Max. Bore	Dimensions (in.)								Weight* Approx. (lbs)
				O.D.	Flange			E	L	M	K	H	F	G	W	
28	P2814M55-SK	SK	4.912	4.808	5.56	●E1F	2%	1½	1%	¾	—	—	2%	3.13	2⅞	7.0
29	P2914M55-SK	SK	5.088	4.983	5.56	●E1F	2%	1½	1%	¾	—	—	2%	3.13	2⅞	8.0
30	P3014M55-SK	SK	5.263	5.157	6.13	A1F	2%	¾	1%	¾	¾	—	2%	3.92	2⅞	7.5
32	P3214M55-SK	SK	5.614	5.507	6.13	A1F	2%	¾	1%	¾	¾	—	2%	3.92	2⅞	9.0
34	P3414M55-SK	SK	5.965	5.858	6.50	A1F	2%	¾	1%	¾	¾	—	2%	4.06	2⅞	10.0
36	P3614M55-SF	SF	6.316	6.208	6.81	A1F	2%	¾	2	¾	¾	—	2%	4.69	2⅞	11.0
38	P3814M55-SF	SF	6.667	6.559	7.16	A1F	2%	¾	2	¾	¾	—	2%	4.94	2⅞	13.0
40	P4014M55-SF	SF	7.018	6.909	7.50	A1F	2%	¾	2	¾	¾	—	2%	5.06	2⅞	15.0
44	P4414M55-E	E	7.720	7.610	8.22	D1F	3½	⅝	2%	⅞	⅞	—	2%	6.12	2⅞	19.0
48	P4814M55-E	E	8.421	8.311	8.94	D1F	3½	⅝	2%	⅞	⅞	—	2%	6.50	2⅞	23.0
52	P5214M55-E	E	9.123	9.013	9.69	D1F	3½	⅝	2%	⅞	⅞	—	2%	7.18	2⅞	27.0
56	P5614M55-E	E	9.825	9.715	10.38	D1F	3½	⅝	2%	⅞	⅞	—	2%	7.88	2⅞	32.0
60	P6014M55-E	E	10.527	10.417	11.06	D1F	3½	⅝	2%	⅞	⅞	—	2%	8.50	2⅞	36.0
64	P6414M55-F	F	11.229	11.119	11.75	C1F	3½	⅞	3%	0	⅞	—	2%	9.25	2⅞	53.0
68	P6814M55-F	F	11.930	11.820	12.50	D2F	4	⅞	3%	0	⅞	—	2%	10.00	2⅞	43.0
72	P7214M55-F	F	12.632	12.522	13.19	C2F	4	⅞	3%	0	⅞	—	2%	10.69	2⅞	49.0
80	P8014M55-F	F	14.036	13.926	14.63	C2F	4	⅞	3%	0	⅞	—	2%	12.13	2⅞	54.0
90	P9014M55-F	F	15.790	15.680	—	C3	4	⅞	3%	0	⅞	—	2%	14.00	—	55.0
112	P11214M55-F	F	19.650	19.540	—	C3	4	⅞	3%	0	⅞	—	2%	17.88	—	71.0
144	P14414M55-F	F	25.264	25.154	—	C3	4	⅞	3%	0	⅞	—	2%	23.38	—	106.0
168	P16814M55-F	F	29.475	29.365	—	C3	4	⅞	3%	0	⅞	—	2%	27.56	—	124.0
192	P19214M55-F	F	33.686	33.576	—	C3	4	⅞	3%	0	⅞	—	2%	31.81	—	146.0
216	P21614M55-F	F	37.896	37.786	—	C3	4	⅞	3%	0	⅞	—	2%	35.75	—	205.0
Taper Bushed 55mm (2.17 in.) Wide Belts (14M-55)																
28	P2814M55-2012	2012	4.912	4.802	5.56	KF-1	2%	—	1¼	1½	—	—	2%	3.375	2⅞	7.4
29	P2914M55-2012	2012	5.088	4.978	5.56	KF-1	2%	—	1¼	1½	—	—	2%	3.375	2⅞	8.4
30	P3014M55-2517	2517	5.263	5.153	6.13	KF-1	2⅞	—	1¾	1	—	—	2%	3.928	2⅞	7.2
32	P3214M55-2517	2517	5.614	5.504	6.13	KF-1	2⅞	—	1¾	1	—	—	2%	3.928	2⅞	9.3
34	P3414M55-2517	2517	5.965	5.855	6.50	KF-1	2⅞	—	1¾	1	—	—	2%	4.063	2⅞	11.2
36	P3614M55-2517	2517	6.316	6.206	6.81	KF-1	2⅞	—	1¾	1	—	—	2%	4.688	2⅞	12.4
38	P3814M55-2517	2517	6.667	6.557	7.16	KF-1	2⅞	—	1¾	1	—	—	2%	4.813	2⅞	14.4
40	P4014M55-2517	2517	7.018	6.908	7.50	KF-1	2⅞	—	1¾	1	—	—	2%	5.188	2⅞	16.7
44	P4414M55-2517	2517	7.720	7.610	8.22	KF-1	2⅞	—	1¾	1	—	—	2%	6.125	2⅞	19.9
48	P4814M55-3020	3020	8.421	8.311	8.94	KF-1	3%	—	2	¾	—	—	2%	6.500	2⅞	29.2
52	P5214M55-3020	3020	9.123	9.013	9.69	KF-1	3%	—	2	¾	—	—	2%	7.188	2⅞	34.5
56	P5614M55-3020	3020	9.825	9.715	10.38	KF-1	3%	—	2	¾	—	—	2%	7.875	2⅞	40.1
60	P6014M55-3020	3020	10.527	10.417	11.06	WF-2	3%	—	2	¾	—	6¼	2%	8.500	2⅞	46.4
64	P6414M55-3020	3020	11.229	11.119	11.75	WF-2	3%	—	2	¾	—	6¼	2%	9.250	2⅞	52.7
68	P6814M55-3020	3020	11.930	11.820	12.50	WF-2	3%	—	2	¾	—	6¼	2%	10.000	2⅞	45.5
72	P7214M55-3020	3020	12.632	12.522	13.19	WF-2	3%	—	2	¾	—	6¼	2%	10.688	2⅞	49.5
80	P8014M55-3020	3020	14.036	13.926	14.63	WF-3	3%	—	2	¾	—	6¼	2%	12.125	2⅞	45.2
90	P9014M55-3020	3020	15.790	15.680	—	W-3	3%	—	2	¾	—	6¼	2%	13.563	—	46.1
112	P11214M55-3020	3020	19.650	19.540	—	W-3	3%	—	2	¾	—	6¼	2%	17.375	—	69.8
144	P14414M55-3020	3020	25.264	25.154	—	W-3	3%	—	2	¾	—	6¼	2%	23.000	—	104.4
192	P19214M55-3535	3535	33.686	33.576	—	C-3	3⅞	0.38	3½	¾	—	7	2%	31.375	—	104.2

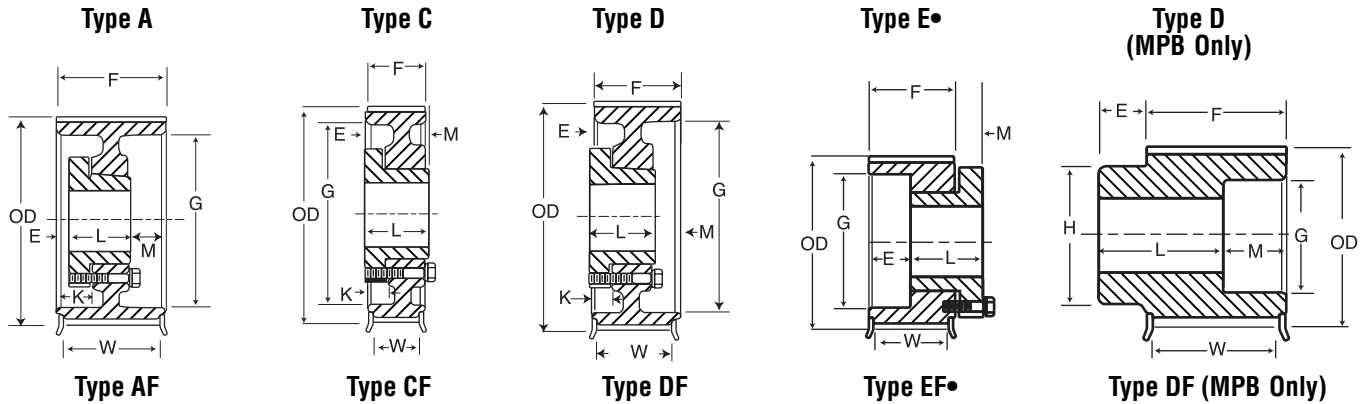
* Weight Shown is for Sprocket Less Bushing.

• Reverse Mount Only

+ The numbers (1=Solid, 2=Web, 3=Arms), within the "Type" indicates construction and the letter F indicates the sprocket has flanges.

High Torque Sprockets 14mm

Martin

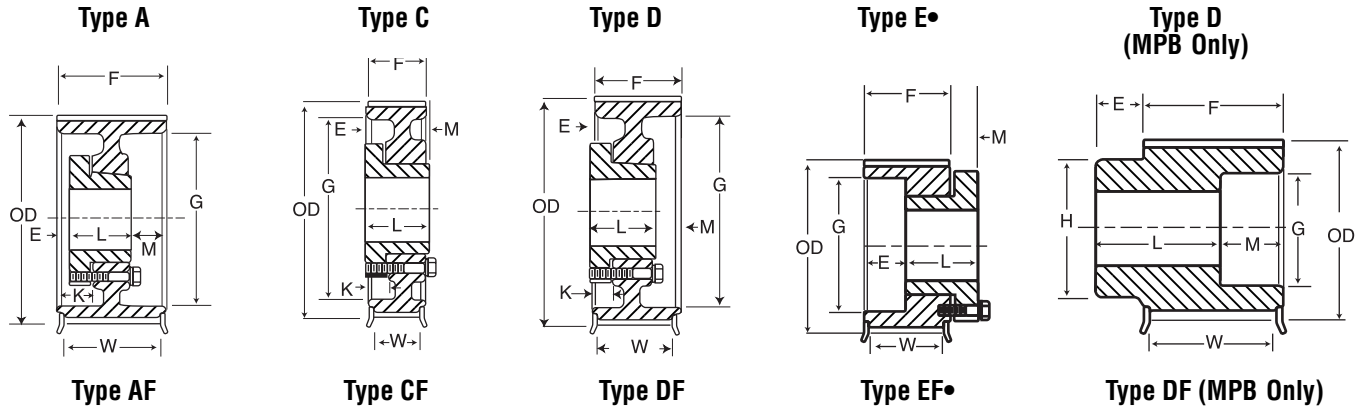


MPB 85mm (3.35in.) Wide Belts (14M-85)																
No. of Teeth	Catalog Number	Bore	P.D.	Diameter (in.)		Type +	Max. Bore	Dimensions (in.)							Weight* Approx. (lbs)	
				O.D.	Flange			E	L	M	K	H	F	G		W
28	P2814M85-MPB	1 1/4	4.912	4.802	5.56	D1F	2 1/16	1	4	1	—	3 1/16	4	3 1/8	3 1/16	18
29	P2914M85-MPB	1 1/4	5.088	4.983	5.56	D1F	2 1/16	1	4	1	—	3 1/16	4	3 1/8	3 1/16	19.4
30	P3014M85-MPB	1 1/4	5.263	5.157	6.13	D1F	2 1/2	1	4	1	—	4 3/4	4	3 29/32	3 1/16	20.6
32	P3214M85-MPB	1 1/4	5.614	5.507	6.13	D1F	2 1/2	1	4	1	—	4 3/4	4	3 29/32	3 1/16	23.4
34	P3414M85-MPB	1 1/4	5.965	5.858	6.50	D1F	2 1/16	1	4	1	—	4 3/4	4	4 1/16	3 1/16	27.4
QD 85mm (3.35in.) Wide Belts (14M-85)																
30	P3014M85-SK	SK	5.293	5.157	6.13	A1F	2 1/8	3/4	1 1/8	1 1/8	1 1/8	—	4	3.92	3 1/16	10
32	P3214M85-SK	SK	5.614	5.507	6.13	A1F	2 1/8	3/4	1 1/8	1 1/8	1 1/8	—	4	3.92	3 1/16	13
34	P3414M85-SK	SK	5.965	5.853	6.13	A1F	2 1/8	3/4	1 1/8	1 1/8	1 1/8	—	4	4.06	3 1/16	14
36	P3614M85-SF	SF	6.316	6.206	6.81	A1F	2 1/8	3/4	2	1 1/4	1 1/8	—	4	4.69	3 1/16	15
38	P3814M85-SF	SF	6.667	6.557	7.16	A1F	2 1/8	3/4	2	1 1/4	1 1/8	—	4	4.94	3 1/16	18
40	P4014M85-SF	SF	7.018	6.909	7.50	A1F	2 1/8	3/4	2	1 1/4	1 1/8	—	4	5.06	3 1/16	20
44	P4414M85-E	E	7.720	7.610	8.22	A1F	3 1/2	5/16	2 3/8	1 1/16	1 3/16	—	4	6.12	3 1/16	25
48	P4814M85-E	E	8.421	8.311	8.94	A1F	3 1/2	5/16	2 3/8	1 1/16	1 3/16	—	4	6.50	3 1/16	29
52	P5214M85-E	E	9.123	9.013	9.69	A1F	3 1/2	5/16	2 3/8	1 1/16	1 3/16	—	4	7.18	3 1/16	32
56	P5614M85-F	F	9.825	9.715	10.38	D1F	4	1/4	3 3/8	3/8	3/4	—	4	7.88	3 1/16	46
60	P6014M85-F	F	10.527	10.417	11.06	D1F	4	1/4	3 3/8	3/8	3/4	—	4	8.50	3 1/16	51
64	P6414M85-F	F	11.229	11.119	11.75	D1F	4	1/4	3 3/8	3/8	3/4	—	4	9.25	3 1/16	62
68	P6814M85-F	F	11.930	11.820	12.50	D2F	4	1/4	3 3/8	3/8	3/4	—	4	10.00	3 1/16	51
72	P7214M85-F	F	12.632	12.522	13.19	D2F	4	1/4	3 3/8	3/8	3/4	—	4	10.69	3 1/16	60
80	P8014M85-F	F	14.036	13.926	14.63	D2F	4	1/4	3 3/8	3/8	3/4	—	4	12.13	3 1/16	66
90	P9014M85-F	F	15.790	15.680	—	D3	4	1/4	3 3/8	3/8	3/4	—	4	14.00	—	69
112	P11214M85-F	F	19.650	19.540	—	D3	4	1/4	3 3/8	3/8	3/4	—	4	17.88	—	89
144	P14414M85-F	F	25.264	25.154	—	D3	4	1/4	3 3/8	3/8	3/4	—	4	23.38	—	127
168	P16814M85-J	J	29.475	29.365	—	D3	4 1/2	1/4	3 3/8	3/8	3/4	—	4	27.56	—	148
192	P19214M85-J	J	33.686	33.576	—	D3	4 1/2	1/4	3 3/8	3/8	3/4	—	4	31.81	—	177
216	P21614M85-J	J	37.896	37.786	—	D3	4 1/2	1/4	3 3/8	3/8	3/4	—	4	35.75	—	251
Taper Bushed 85mm (3.35in.) Wide Belts (14M-85)																
30	P3014M85-2517	2517	5.263	5.153	6.13	WF-1	2 1/16	1/2	1 1/4	1 1/4	—	—	4	3.928	3 1/16	9.7
32	P3214M85-2517	2517	5.614	5.504	6.13	WF-1	2 1/16	7/8	1 1/4	1 1/8	—	—	4	3.928	3 1/16	12.7
34	P3414M85-2517	2517	5.965	5.855	6.50	WF-1	2 1/16	7/8	1 1/4	1 1/8	—	—	4	4.063	3 1/16	15.3
36	P3614M85-3020	3020	6.316	6.206	6.81	WF-1	3 1/4	1 7/32	2	1 19/32	—	—	4	4.688	3 1/16	19.3
38	P3814M85-3020	3020	6.667	6.557	7.16	WF-1	3 1/4	1 7/32	2	1 19/32	—	—	4	4.813	3 1/16	21.9
40	P4014M85-3020	3020	7.018	6.908	7.50	WF-1	3 1/4	1 7/32	2	1 19/32	—	—	4	5.063	3 1/16	25.1
44	P4414M85-3020	3020	7.720	7.610	8.22	WF-1	3 1/4	1 7/32	2	1 19/32	—	—	4	6.125	3 1/16	28.4
48	P4814M85-3020	3020	8.421	8.311	8.94	WF-1	3 1/4	1 7/32	2	1 19/32	—	—	4	6.500	3 1/16	35.4
52	P5214M85-3535	3535	9.123	9.013	9.69	KF-1	3 15/16	—	3 1/2	1/2	—	—	4	7.188	3 1/16	42.9
56	P5614M85-3535	3535	9.825	9.715	10.38	KF-1	3 15/16	—	3 1/2	1/2	—	—	4	7.875	3 1/16	52.4
60	P6014M85-3535	3535	10.527	10.417	11.06	KF-1	3 15/16	—	3 1/2	1/2	—	—	4	8.500	3 1/16	62.7
64	P6414M85-3535	3535	11.229	11.119	11.75	KF-1	3 15/16	—	3 1/2	1/2	—	—	4	9.250	3 1/16	73.6
68	P6814M85-3535	3535	11.930	11.820	12.50	KF-1	3 15/16	—	3 1/2	1/2	—	—	4	10.000	3 1/16	64.2
72	P7214M85-3535	3535	12.632	12.522	13.19	KF-1	3 15/16	—	3 1/2	1/2	—	—	4	10.688	3 1/16	97.4
80	P8014M85-3535	3535	14.036	13.926	14.63	WF-2	3 15/16	—	3 1/2	1/2	—	—	4	12.125	3 1/16	68.4
90	P9014M85-3535	3535	15.790	15.680	—	W-3	3 15/16	—	3 1/2	1/2	—	7	4	13.563	—	69.1
112	P11214M85-3535	3535	19.650	19.540	—	W-3	3 15/16	—	3 1/2	1/2	—	7	4	17.375	—	85.7
144	P14414M85-4040	4040	25.264	25.154	—	W-3	4 7/16	—	4	—	—	8 1/2	4	23.000	—	131.6
168	P16814M85-4040	4040	29.475	29.365	—	W-3	4 7/16	—	4	—	—	8 1/2	4	27.250	—	146.1
192	P19214M85-4040	4040	33.686	33.576	—	W-3	4 7/16	—	4	—	—	8 1/2	4	31.375	—	161.4

* Weight Shown is for Sprocket Less Bushing.

• Reverse Mount Only

+ The numbers (1=Solid, 2=Web, 3=Arms), within the "Type" indicates construction and the letter F indicates the sprocket has flanges.

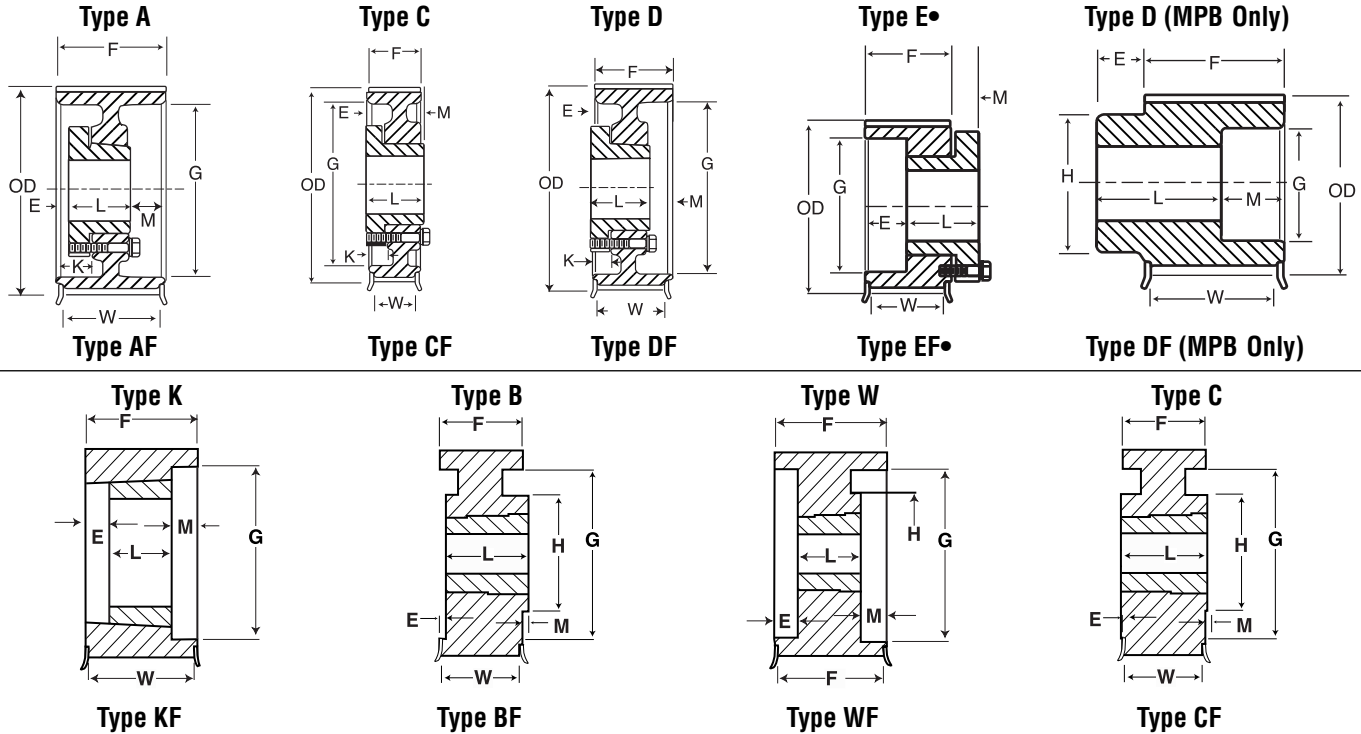


MPB 115mm (4.53 in.) Wide Belts (14M-115)																
No. of Teeth	Catalog Number	Bore	P.D.	Diameter (in.)		Type +	Max. Bore	Dimensions (in.)							Weight* Approx. (lbs)	
				O.D.	Flange			E	L	M	K	H	F	G		W
28	P2814M115-MPB	1/4	4.912	4.808	5.56	D1F	2 5/16	1/4	5	1 1/2	—	3 1/16	5/4	3/8	4 1/16	23.2
29	P2914M115-MPB	1/4	5.088	4.983	5.56	D1F	2 5/16	1/4	5	1 1/2	—	3 1/16	5/4	3/8	4 1/16	24.8
30	P3014M115-MPB	1/4	5.263	5.157	6.13	D1F	2 1/2	1/4	5	1 1/2	—	4 5/64	5/4	3 5/32	4 1/16	26.4
32	P3214M115-MPB	1/4	5.614	5.507	6.13	D1F	2 1/2	1/4	5	1 1/2	—	4 5/64	5/4	3 5/32	4 1/16	30.8
34	P3414M115-MPB	1/4	5.965	5.858	6.50	D1F	2 11/16	1/4	5	1 1/2	—	4 31/64	5/4	4 1/16	4 1/16	35.2
36	P3614M115-MPB	1/4	6.316	6.208	6.81	D1F	3	1/4	5	1 1/2	—	4 7/8	5/4	4 1/16	4 1/16	38.8
38	P3814M115-MPB	1/4	6.667	6.559	7.16	D1F	3 1/4	1/4	5	1 1/2	—	5 11/64	5/4	4 1/16	4 1/16	44.4
40	P4014M115-MPB	1/4	7.018	6.909	7.50	D1F	3 3/8	1/4	5	1 1/2	—	5 5/16	5/4	5 1/8	4 1/16	50
QD 115mm (4.53 in.) Wide Belts (14M-115)																
30	P3014M115-SK	1/4	5.263	5.157	6.13	A1F	2 7/8	1 1/8	1 1/8	2	2	—	5/4	3.92	4 15/16	12
32	P3214M115-SK	1/4	5.614	5.507	6.13	A1F	2 7/8	1 1/8	1 1/8	2	2	—	5/4	3.92	4 15/16	16
34	P3414M115-SK	1/4	5.965	5.858	6.50	A1F	2 7/8	1 1/8	1 1/8	2	2	—	5/4	4.06	4 15/16	17
36	P3614M115-SF	1/4	6.316	6.208	6.81	A1F	3	1 1/8	2	1 1/8	2	—	5/4	4.69	4 15/16	18
38	P3814M115-SF	1/4	6.667	6.559	7.16	A1F	3	1 1/8	2	1 1/8	2	—	5/4	4.94	4 15/16	22
40	P4014M115-SF	1/4	7.018	6.909	7.50	A1F	3	1 1/8	2	1 1/8	2	—	5/4	5.06	4 15/16	25
44	P4414M115-E	E	7.720	7.610	8.22	A1F	3 1/2	1 1/8	2 1/8	1 1/8	1 1/8	—	5/4	6.12	4 15/16	30
48	P4814M115-E	E	8.421	8.311	8.94	A1F	4	1 1/8	2 1/8	1 1/8	1 1/8	—	5/4	6.50	4 15/16	35
52	P5214M115-F	F	9.123	9.013	9.69	A1F	4	3/8	3 1/8	1 1/4	1 1/8	—	5/4	7.18	4 15/16	42
56	P5614M115-F	F	9.825	9.715	10.38	A1F	4	3/8	3 1/8	1 1/4	1 1/8	—	5/4	7.88	4 15/16	53
60	P6014M115-F	F	10.527	10.417	11.06	A1F	4 1/2	3/8	3 3/8	1 1/4	1 1/8	—	5/4	8.50	4 15/16	60
64	P6414M115-J	J	11.229	11.119	11.75	D1F	4 1/2	3/8	4 1/8	1 1/8	1	—	5/4	9.25	4 15/16	76
68	P6814M115-J	J	11.930	11.820	12.50	D1F	4 1/2	3/8	4 1/8	1 1/8	1	—	5/4	10.00	4 15/16	83
72	P7214M115-J	J	12.632	12.522	13.19	D1F	4 1/2	3/8	4 1/8	1 1/8	1	—	5/4	10.69	4 15/16	99
80	P8014M115-J	J	14.036	13.926	14.63	D2F	4 1/2	3/8	4 1/8	1 1/8	1	—	5/4	12.13	4 15/16	87
90	P9014M115-J	J	15.790	15.680	—	D2	4 1/2	3/8	4 1/8	1 1/8	1	—	5/4	14.00	—	95
112	P11214M115-J	J	19.650	19.540	—	D3	4 1/2	3/8	4 1/8	1 1/8	1	—	5/4	17.88	—	114
144	P14414M115-J	J	25.264	25.154	—	D3	4 1/2	3/8	4 1/8	1 1/8	1	—	5/4	23.38	—	166
168	P16814M115-M	M	29.475	29.365	—	D3	5 1/2	3/8	4 1/8	1 1/8	1	—	5/4	27.56	—	198
192	P19214M115-M	M	33.686	33.576	—	D3	5 1/2	3/8	4 1/8	1 1/8	1	—	5/4	31.81	—	232
216	P21614M115-M	M	37.896	37.786	—	D3	5 1/2	3/8	4 1/8	1 1/8	1	—	5/4	35.75	—	307
Taper Bushed 115mm (4.53 in.) Wide Belts (14M-115)																
30	P3014M115-2517	2517	5.263	5.153	6.13	WF-1	2 11/16	1 1/4	1 1/4	1 1/4	—	5/4	—	3.928	4 15/16	13.5
32	P3214M115-2517	2517	5.614	5.504	6.13	WF-1	2 11/16	1 1/4	1 1/4	1 1/4	—	5/4	—	3.928	4 15/16	17.3
34	P3414M115-2517	2517	5.965	5.855	6.50	WF-1	2 11/16	1 1/4	1 1/4	1 1/4	—	5/4	—	4.063	4 15/16	20.9
36	P3614M115-3020	3020	6.316	6.206	6.81	WF-1	3 1/4	1 1/8	2	1 1/8	—	5/4	—	4.688	4 15/16	18.6
38	P3814M115-3020	3020	6.667	6.557	7.16	WF-1	3 1/4	1 1/8	2	1 1/8	—	5/4	—	4.813	4 15/16	22.5
40	P4014M115-3020	3020	7.018	6.908	7.50	WF-1	3 1/4	1 1/8	2	1 1/8	—	5/4	—	5.063	4 15/16	26.8
44	P4414M115-3535	3535	7.720	7.610	8.22	WF-1	3 15/16	7/8	3 1/2	7/8	—	5/4	—	6.125	4 15/16	30.8
48	P4814M115-3535	3535	8.421	8.311	8.94	WF-1	3 15/16	7/8	3 1/2	7/8	—	5/4	—	6.500	4 15/16	41.1
52	P5214M115-4040	4040	9.123	9.013	9.69	WF-1	4 1/16	3/4	4	3/4	—	5/4	—	7.188	4 15/16	46.9
56	P5614M115-4040	4040	9.825	9.715	10.38	WF-1	4 1/16	3/4	4	3/4	—	5/4	—	7.875	4 15/16	58.3
60	P6014M115-4040	4040	10.527	10.417	11.06	WF-1	4 1/16	3/4	4	3/4	—	5/4	—	8.500	4 15/16	70.9
64	P6414M115-4545	4545	11.229	11.119	11.75	WF-1	4 15/16	3/4	4 1/2	3/4	—	5/4	—	9.250	4 15/16	82.1
68	P6814M115-4545	4545	11.930	11.820	12.50	WF-1	4 15/16	3/4	4 1/2	3/4	—	5/4	—	10.000	4 15/16	97.1
72	P7214M115-4545	4545	12.632	12.522	13.19	WF-1	4 15/16	3/4	4 1/2	3/4	—	5/4	—	10.688	4 15/16	113.3
80	P8014M115-4545	4545	14.036	13.926	14.63	WF-2	4 15/16	3/4	4 1/2	3/4	9 1/2	5 1/4	—	12.125	4 15/16	108.9
90	P9014M115-4545	4545	15.790	15.680	—	WF-2	4 15/16	3/4	4 1/2	3/4	9 1/2	5 1/4	—	13.563	—	112.9
112	P11214M115-4545	4545	19.650	19.540	—	W-3	4 15/16	3/4	4 1/2	3/4	9 1/2	5 1/4	—	17.375	—	122.4
144	P14414M115-4545	4545	25.264	25.154	—	W-3	4 15/16	3/4	4 1/2	3/4	9 1/2	5 1/4	—	23.000	—	155.0
168	P16814M115-4545	4545	29.475	29.365	—	W-3	4 15/16	3/4	4 1/2	3/4	9 1/2	5 1/4	—	27.250	—	188.0
192	P19214M115-4545	4545	33.686	33.576	—	W-3	4 15/16	3/4	4 1/2	3/4	9 1/2	5 1/4	—	31.375	—	318.8
216	P21614M115-6050	6050	37.896	37.786	—	W-3	6	—	5	1/4	15 1/2	5 1/4	—	35.625	—	350.3

* Weight Shown is for Sprocket Less Bushing.
 • Reverse Mount Only

+ The numbers (1=Solid, 2=Web, 3=Arms) within the "Type" indicates construction, and the letter F indicates the sprocket has flanges.

High Torque Sprockets 14mm



MPB 170mm (6.69 in.) Wide Belts (14M-170)																
No. of Teeth	Catalog Number	Bore	P.D.	Diameter (in.)		Type +	Max. Bore	Dimensions (in.)								Weight* Approx. (lbs)
				O.D.	Flange			E	L	M	K	H	F	G	W	
36	P3614M170-MPB	1½	6.316	6.208	6.81	D1F	3	1¼	6	2½	—	4¾	7%	4¼	7½	47
38	P3814M170-MPB	1½	6.667	6.559	7.16	D1F	3¼	1¼	6	2½	—	5¼	7%	4½	7½	55.7
40	P4014M170-MPB	1½	7.018	6.909	7.50	D1F	3⅝	1¼	6	2½	—	5⅝	7%	5¼	7½	63.7
44	P4414M170-MPB	1½	7.720	7.610	8.22	D1F	4%	1¼	6	2½	—	6¼	7%	6½	7½	75.7
48	P4814M170-MPB	1½	8.421	8.311	8.94	D1F	4½	1¼	6	2½	—	6⅝	7%	6½	7½	94
QD 170mm (6.69 in.) Wide Belts (14M-170)																
44	P4414M170-E	E	7.720	7.610	8.22	A1F	3%	2	2½	2¼	2½	—	7%	6.12	7½	38
48	P4814M170-E	E	8.421	8.311	8.94	A1F	3%	2	2½	2¼	2½	—	7%	6.50	7½	45
52	P5214M170-F	F	9.123	9.013	9.69	A1F	4	1⅞	3%	2⅞	2⅞	—	7%	7.18	7½	52
56	P5614M170-F	F	9.825	9.715	10.38	A1F	4	1⅞	3%	2⅞	2⅞	—	7%	7.88	7½	65
60	P6014M170-J	J	10.527	10.417	11.06	A1F	4½	1⅞	4½	1⅞	2½	—	7%	8.50	7½	75
64	P6414M170-J	J	11.229	11.119	11.75	A1F	4½	1⅞	4½	1⅞	2½	—	7%	9.25	7½	91
68	P6814M170-J	J	11.930	11.820	12.50	A1F	4½	1⅞	4½	1⅞	2½	—	7%	10.00	7½	96
72	P7214M170-J	J	12.632	12.522	13.19	A1F	4½	1⅞	4½	1⅞	2½	—	7%	10.69	7½	115
80	P8014M170-J	J	14.036	13.926	14.63	A2F	4½	1⅞	4½	1⅞	2½	—	7%	12.13	7½	107
90	P9014M170-J	J	15.790	15.680	—	A2	4½	1⅞	4½	1⅞	2½	—	7%	14.00	—	116
112	P11214M170-M	M	19.650	19.540	—	A3	5½	0	6%	⅝	1⅞	—	7%	17.88	—	175
144	P14414M170-M	M	25.264	25.154	—	A3	5½	0	6%	⅝	1⅞	—	7%	23.38	—	240
168	P16814M170-M	M	29.475	29.365	—	A3	5½	0	6%	⅝	1⅞	—	7%	27.56	—	278
192	P19214M170-M	M	33.686	33.576	—	A3	5½	0	6%	⅝	1⅞	—	7%	31.81	—	322
216	P21614M170-M	M	37.896	37.786	—	A3	5½	0	6%	⅝	1⅞	—	7%	35.75	—	399
Taper Bushed 170mm (6.69 in.) Wide Belts (14M-170)																
44	P4414M170-3535	3535	7.720	7.610	8.22	WF-1	3⅝	1⅞	3½	1⅞	—	—	7%	6.13	7½	39.7
48	P4814M170-3535	3535	8.421	8.311	8.94	WF-1	3⅝	1⅞	3½	1⅞	—	—	7%	6.50	7½	52.8
52	P5214M170-4040	4040	9.123	9.013	9.69	WF-1	4%	1⅞	4	1⅞	—	—	7%	7.19	7½	59.8
56	P5614M170-4040	4040	9.825	9.715	10.38	WF-1	4%	1⅞	4	1⅞	—	—	7%	7.88	7½	72.4
60	P6014M170-4545	4545	10.527	10.417	11.06	WF-1	4½	1⅞	4½	1⅞	—	—	7%	8.50	7½	83.7
64	P6414M170-4545	4545	11.229	11.119	11.75	WF-1	4½	1⅞	4½	1⅞	—	—	7%	9.25	7½	98.6
68	P6814M170-4545	4545	11.930	11.820	12.50	WF-1	4½	1⅞	4½	1⅞	—	—	7%	10.00	7½	114.4
72	P7214M170-4545	4545	12.632	12.522	13.19	WF-1	4½	1⅞	4½	1⅞	—	—	7%	10.69	7½	131.8
80	P8014M170-4545	4545	14.036	13.926	14.63	WF-2	4½	1⅞	4½	1⅞	—	9½	7%	12.13	7½	129.3
90	P9014M170-4545	4545	15.790	15.680	—	W-2	4½	1⅞	4½	1⅞	—	9½	7%	13.56	—	126.8
112	P11214M170-4545	4545	19.650	19.540	—	W-3	4½	1⅞	4½	1⅞	—	9½	7%	17.38	—	148.0
144	P14414M170-6050	6050	25.264	25.154	—	W-3	6	1⅞	5	1⅞	—	15½	7%	23.00	—	208.0
168	P16814M170-6050	6050	29.475	29.365	—	W-3	6	1⅞	5	1⅞	—	15½	7%	27.25	—	227.0
192	P19214M170-6050	6050	33.686	33.576	—	W-3	6	1⅞	5	1⅞	—	15½	7%	31.38	—	340.0
216	P21614M170-6050	6050	37.896	37.786	—	W-3	6	1⅞	5	1⅞	—	15½	7%	35.63	—	390.0

* Weight Shown is for Sprocket Less Bushing.

• Reverse Mount Only

+ The numbers (1=Solid, 2=Web, 3=Arms), within the "Type" indicates construction and the letter F indicates the sprocket has flanges.



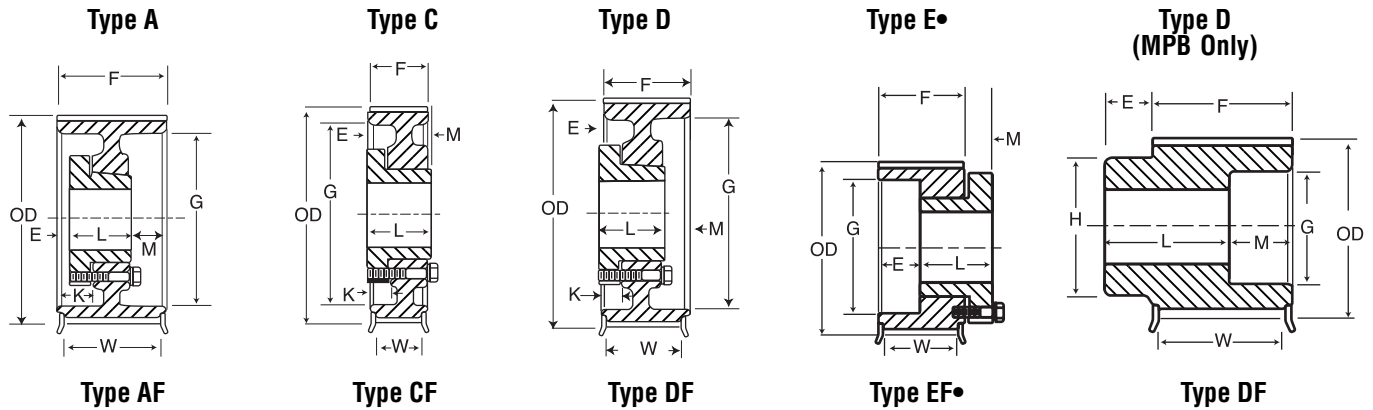
High Torque Sprockets 20mm

QD 115mm (4.53 in.) Wide Belts (20M-115)																	
No. of Teeth	Catalog Number	Bore	P.D.	Diameter (in.)		Type +	Max. Bore	Dimensions (in.)								Weight* Approx. (lbs)	
				O.D.	Flange			E	L	M	K	H	F	G	W		
34	P3420M115-F	F	8.522	8.352	9.449	A1F	4.00	0.44	3.63	1.31	1.44	—	5.38	6.88	5.0	32	
36	P3620M115-F	F	9.023	8.853	9.843	A1F	4.00	0.44	3.63	1.31	1.44	—	5.38	7.00	5.0	40	
38	P3820M115-F	F	9.524	9.354	10.433	A1F	4.00	0.44	3.63	1.31	1.44	—	5.38	7.56	5.0	45	
40	P4020M115-F	F	10.026	9.856	10.827	A1F	4.00	0.44	3.63	1.31	1.44	—	5.38	8.00	5.0	51	
44	P4420M115-F	F	11.028	10.858	11.811	A1F	4.00	0.44	3.63	1.31	1.44	—	5.38	8.93	5.0	63	
48	P4820M115-J	J	12.031	11.861	12.795	A1F	4.50	0.00	4.50	0.88	1.18	—	5.38	9.93	5.0	84	
52	P5220M115-J	J	13.033	12.863	13.764	A2F	4.50	0.00	4.50	0.88	1.18	—	5.38	10.88	5.0	80	
56	P5620M115-J	J	14.036	13.866	14.764	A2F	4.50	0.00	4.50	0.88	1.18	—	5.38	11.88	5.0	87	
60	P6020M115-J	J	15.038	14.868	15.927	A2F	4.50	0.00	4.50	0.88	1.18	—	5.38	13.06	5.0	94	
64	P6420M115-J	J	16.041	15.871	16.929	A2F	4.50	0.00	4.50	0.88	1.18	—	5.38	14.06	5.0	104	
68	P6820M115-J	J	17.044	16.874	17.927	A2F	4.50	0.00	4.50	0.88	1.18	—	5.38	15.00	5.0	110	
72	P7220M115-J	J	18.046	17.876	18.898	A2F	4.50	0.00	4.50	0.88	1.18	—	5.38	16.00	5.0	119	
80	P8020M115-M	M	20.051	19.881	20.866	C2F	5.50	1.25	6.75	0.12	0.18	—	5.38	18.00	5.0	182	
90	P9020M115-M	M	22.558	22.388	23.425	C2F	5.50	1.25	6.75	0.12	0.18	—	5.38	20.56	5.0	212	
112	P11220M115-M	M	28.072	27.902	—	C3	5.50	1.25	6.75	0.12	0.18	—	5.38	26.38	—	239	
144	P14420M115-N	N	36.092	35.922	—	C3	5.87	1.75	8.12	1.00	0.00	—	5.38	34.38	—	341	
168	P16820M115-N	N	42.108	41.938	—	C3	5.87	1.75	8.12	1.00	0.00	—	5.38	40.38	—	417	
192	P19220M115-N	N	48.123	47.953	—	C3	5.87	1.75	8.12	1.00	0.00	—	5.38	46.25	—	500	
216	P21620M115-N	N	54.138	53.968	—	C3	5.77	1.75	8.12	1.00	0.00	—	5.38	52.25	—	566	
MPB 170mm (6.69 in.) Wide Belts (20M-170)																	
34	P3420M170-MPB	2½	8.522	8.352	9.449	D1F	4.38	1.25	6.50	2.25	—	6.50	7.50	6.50	7.12	82	
36	P3620M170-MPB	2½	9.023	8.853	9.843	D1F	4.50	1.25	6.50	2.25	—	7.00	7.50	7.00	7.12	93	
QD 170mm (6.69 in.) Wide Belts (20M-170)																	
38	P3820M170-J	J	9.524	9.354	10.433	A1F	4.50	1.00	4.50	2.00	2.18	—	7.50	7.56	7.12	56	
40	P4020M170-J	J	10.026	9.856	10.827	A1F	4.50	1.00	4.50	2.00	2.18	—	7.50	8.00	7.12	64	
44	P4420M170-J	J	11.028	10.858	11.811	A1F	4.50	1.00	4.50	2.00	2.18	—	7.50	8.93	7.12	81	
48	P4820M170-M	M	12.031	11.861	12.795	A1F	5.50	0.06	6.75	0.68	1.50	—	7.50	9.93	7.12	113	
52	P5220M170-M	M	13.033	12.863	13.764	A1F	5.50	0.06	6.75	0.68	1.50	—	7.50	10.88	7.12	141	
56	P5620M170-M	M	14.036	13.866	14.764	A1F	5.50	0.06	6.75	0.68	1.50	—	7.50	11.88	7.12	170	
60	P6020M170-M	M	15.038	14.868	15.927	A1F	5.50	0.06	6.75	0.68	1.50	—	7.50	13.06	7.12	199	
64	P6420M170-M	M	16.041	15.871	16.929	A2F	5.50	0.06	6.75	0.68	1.50	—	7.50	14.06	7.12	175	
68	P6820M170-M	M	17.044	16.874	17.927	A2F	5.50	0.06	6.75	0.68	1.50	—	7.50	15.00	7.12	187	
72	P7220M170-M	M	18.046	17.876	18.898	A2F	5.50	0.06	6.75	0.68	1.50	—	7.50	16.00	7.12	196	
80	P8020M170-M	M	20.051	19.881	20.866	A2F	5.50	0.06	6.75	0.68	1.50	—	7.50	18.00	7.12	214	
90	P9020M170-M	M	22.558	22.388	23.425	A2F	5.50	0.06	6.75	0.68	1.50	—	7.50	20.56	7.12	250	
112	P11220M170-N	N	28.072	27.902	—	C3	5.87	0.50	8.12	0.12	1.25	—	7.50	26.25	7.12	309	
144	P14420M170-N	N	36.092	35.922	—	C3	5.87	0.50	8.12	0.12	1.25	—	7.50	34.25	—	426	
168	P16820M170-P	P	42.108	41.938	—	C3	7.00	0.90	9.38	0.94	1.06	—	7.50	40.25	—	571	
192	P19220M170-P	P	48.123	47.953	—	C3	7.00	0.94	9.38	0.94	1.06	—	7.50	46.25	—	652	
216	P21620M170-P	P	54.138	53.968	—	C3	7.00	0.94	9.38	0.94	1.06	—	7.50	52.12	—	813	
MPB 230mm (9.06 in.) Wide Belts (20M-230)																	
38	P3820M230-MPB	2½	9.524	9.354	10.433	D1F	4.75	1.25	7.50	3.63	—	7.50	9.88	7.56	9.50	120	
40	P4020M230-MPB	2½	10.026	9.856	10.827	D1F	5.25	1.25	8.50	2.63	—	8.00	9.88	8.00	9.50	147	
44	P4420M230-MPB	2½	11.028	10.858	11.811	D1F	5.25	1.25	8.50	2.63	—	8.25	9.88	8.93	9.50	180	
QD 230mm (9.06 in.) Wide Belts (20M-230)																	
48	P4820M230-M	M	12.031	11.861	12.795	A1F	5.50	0.56	6.75	2.56	2.00	—	9.88	9.93	9.50	129	
52	P5220M230-M	M	13.033	12.863	13.764	A1F	5.50	0.56	6.75	2.56	2.00	—	9.88	10.88	9.50	158	
56	P5620M230-M	M	14.036	13.866	14.764	A1F	5.50	0.56	6.75	2.56	2.00	—	9.88	11.88	9.50	189	
60	P6020M230-M	M	15.038	14.868	15.927	A1F	5.50	0.56	6.75	2.56	2.00	—	9.88	13.06	9.50	217	
64	P6420M230-M	M	16.041	15.871	16.929	A2F	5.50	0.56	6.75	2.56	2.00	—	9.88	14.06	9.50	198	
68	P6820M230-N	N	17.044	16.874	17.927	A1F	5.87	0.06	8.12	1.69	1.81	—	9.88	15.00	9.50	324	
72	P7220M230-N	N	18.046	17.876	18.898	A2F	5.87	0.06	8.12	1.69	1.81	—	9.88	16.00	9.50	287	
80	P8020M230-N	N	20.051	19.881	20.866	A2F	5.87	0.06	8.12	1.69	1.81	—	9.88	18.00	9.50	280	
90	P9020M230-N	N	22.558	22.388	23.425	A2F	5.87	0.06	8.12	1.69	1.81	—	9.88	20.56	9.50	319	
112	P11220M230-N	N	28.072	27.902	—	A3	5.87	0.06	8.12	1.69	1.81	—	9.88	26.25	—	357	
144	P14420M230-P	P	36.092	35.922	—	D3	7.00	0.69	9.38	1.19	1.31	—	9.88	34.25	—	535	
168	P16820M230-P	P	42.108	41.938	—	D3	7.00	0.69	9.38	1.19	1.31	—	9.88	40.25	—	654	
192	P19220M230-W	W	48.123	47.953	—	C3	8.50	0.75	11.38	0.75	1.50	—	9.88	46.00	—	935	
216	P21620M230-W	W	54.138	53.968	—	C3	8.50	0.75	11.38	0.75	1.50	—	9.88	52.00	—	1062	

* Weight Shown is for Sprocket less Bushing.
• Reverse Mount Only

+ The numbers (1=Solid, 2=Web, 3=Arms), within the "Type" indicates construction and the letter F indicates the sprocket has flanges.

High Torque Sprockets 20mm



QD 290mm (11.42 in.) Wide Belts (20M-290)																
No. of Teeth	Catalog Number	Bore	P.D.	Diameter (in.)		Type +	Max. Bore	Dimensions (in.)								Weight Approx. (lbs)
				O.D.	Flange			E	L	M	H	K	F	G	W	
52	P5220M290-N	N	13.033	12.863	13.764	A1F	5.87	0.75	8.12	2.38	2.50	—	12.25	10.88	11.88	187
56	P5620M290-N	N	14.036	13.866	14.764	A1F	5.87	0.75	8.12	2.38	2.50	—	12.25	11.88	11.88	223
60	P6020M290-N	N	15.038	14.868	15.927	A1F	5.87	0.75	8.12	2.38	2.50	—	12.25	13.06	11.88	257
64	P6420M290-N	N	16.041	15.871	16.929	A1F	5.87	0.75	8.12	2.38	2.50	—	12.25	14.06	11.88	299
68	P6820M290-N	N	17.044	16.874	17.927	A1F	5.87	0.75	8.12	2.38	2.50	—	12.25	15.00	11.88	346
72	P7220M290-N	N	18.046	17.876	18.898	A2F	5.87	0.75	8.12	2.38	2.50	—	12.25	16.00	11.88	311
80	P8020M290-N	N	20.051	19.881	20.866	A2F	5.87	0.75	8.12	2.38	2.50	—	12.25	18.00	11.88	314
90	P9020M290-N	N	22.558	22.388	23.425	A2F	5.87	0.75	8.12	2.38	2.50	—	12.25	20.56	11.88	359
112	P11220M290-P	P	28.072	27.902	—	A2	7.00	0.50	9.38	2.38	2.50	—	12.25	26.12	—	513
144	P14420M290-P	P	36.092	35.922	—	A3	7.00	0.50	9.38	2.38	2.50	—	12.25	34.00	—	637
168	P16820M290-W	W	42.108	41.938	—	A3	8.50	0.44	11.38	0.44	2.68	—	12.25	40.00	—	891
192	P19220M290-W	W	48.123	47.953	—	A3	8.50	0.44	11.38	0.44	2.68	—	12.25	46.00	—	1061
216	P21620M290-W	W	54.138	53.968	—	A3	8.50	0.44	11.38	0.44	2.68	—	12.25	52.00	—	1239
QD 340 mm (13.39 in.) Wide Belts (20M-340)																
52	P5220M340-N	N	13.033	12.863	13.764	A1F	5.87	0.75	8.12	5.38	2.50	—	14.25	10.88	13.88	201
56	P5620M340-N	N	14.036	13.866	14.764	A1F	5.87	0.75	8.12	5.38	2.50	—	14.25	11.88	13.88	239
60	P6020M340-N	N	15.038	14.868	15.927	A1F	5.87	0.75	8.12	5.38	2.50	—	14.25	13.06	13.88	273
64	P6420M340-N	N	16.041	15.871	16.929	A1F	5.87	0.75	8.12	5.38	2.50	—	14.25	14.06	13.88	316
68	P6820M340-N	N	17.044	16.874	17.927	A1F	5.87	0.75	8.12	5.38	2.50	—	14.25	15.00	13.88	364
72	P7220M340-N	N	18.046	17.876	18.898	A2F	5.87	0.75	8.12	5.38	2.50	—	14.25	16.00	13.88	330
80	P8020M340-P	P	20.051	19.881	20.866	A2F	7.00	1.50	9.38	3.38	3.50	—	14.25	18.00	13.88	406
90	P9020M340-P	P	22.558	22.388	23.425	A2F	7.00	1.50	9.38	3.38	3.50	—	14.25	20.56	13.88	426
112	P11220M340-P	P	28.072	27.902	—	A2	7.00	1.50	9.38	3.38	3.50	—	14.25	26.12	—	543
144	P14420M340-W	W	36.092	35.922	—	A3	8.50	0.38	11.38	2.50	2.63	—	14.25	34.00	—	814
168	P16820M340-W	W	42.108	41.938	—	A3	8.50	0.38	11.38	2.50	2.63	—	14.25	40.00	—	947
192	P19220M340-S	S	48.123	47.953	—	D3	10.00	2.50	15.75	1.00	1.12	—	14.25	46.00	—	1368
216	P21620M340-S	S	54.138	53.968	—	D3	10.00	2.50	15.75	1.00	1.12	—	14.25	51.88	—	1555

* Weight Shown is for Sprocket less Bushing.
 • Reverse Mount Only

+ The numbers (1=Solid, 2=Web, 3=Arms), within the "Type" indicates construction and the letter F indicates the sprocket has flanges.



HTS® 5mm Sprocket Diameters

No. of Teeth	Diameters mm In.		No. of Teeth	Diameters mm In.		No. of Teeth	Diameters mm In.		No. of Teeth	Diameters mm In.		No. of Teeth	Diameters mm In.	
	PD	OD		PD	OD		PD	OD		PD	OD		PD	OD
13	20.69 0.815	19.55 0.770	43	68.44 2.694	67.30 2.649	73	116.18 4.574	115.04 4.529	103	163.93 6.454	162.79 6.409	133	211.68 8.334	210.54 8.289
14	22.28 0.877	21.14 0.832	44	70.03 2.757	68.89 2.712	74	117.77 4.637	116.63 4.592	104	165.52 6.517	164.38 6.472	134	213.27 8.396	212.13 8.351
15	23.87 0.940	22.73 0.895	45	71.62 2.820	70.48 2.775	75	119.37 4.699	118.23 4.654	105	167.11 6.579	165.97 6.534	135	214.86 8.459	213.72 8.414
16	25.46 1.003	24.32 0.958	46	73.21 2.882	72.07 2.837	76	120.96 4.762	119.82 4.717	106	168.70 6.642	167.56 6.597	136	216.45 8.522	215.31 8.477
17	27.06 1.065	25.92 1.020	47	74.80 2.945	73.66 2.900	77	122.55 4.825	121.41 4.780	107	170.3 6.705	169.16 6.660	137	218.04 8.584	216.90 8.539
18	28.65 1.128	27.51 1.083	48	76.39 3.008	75.25 2.963	78	124.14 4.887	123.00 4.842	108	171.89 6.767	170.75 6.722	138	219.63 8.647	218.49 8.602
19	30.24 1.191	29.10 1.146	49	77.99 3.070	76.85 3.025	79	125.73 4.950	124.59 4.905	109	173.48 6.830	172.34 6.785	139	221.23 8.710	220.09 8.665
20	31.83 1.253	30.69 1.208	50	79.58 3.133	78.94 3.088	80	127.32 5.013	126.18 4.968	110	175.07 6.893	173.93 6.848	140	222.82 8.772	221.68 8.727
21	33.42 1.316	32.28 1.271	51	81.17 3.196	80.03 3.151	81	128.92 5.075	127.78 5.030	111	176.66 6.955	175.52 6.910	141	224.41 8.835	223.27 8.790
22	35.01 1.379	33.87 1.334	52	82.76 3.258	81.62 3.213	82	130.51 5.138	129.37 5.093	112	178.25 7.018	177.11 6.973	142	226.00 8.898	224.86 8.853
23	36.61 1.441	35.47 1.396	53	84.35 3.321	83.21 3.276	83	132.10 5.201	130.96 5.156	113	179.85 7.081	178.71 7.036	143	227.59 8.960	226.45 8.915
24	38.20 1.504	37.06 1.459	54	85.94 3.384	84.80 3.339	84	133.69 5.263	132.55 5.218	114	181.44 7.143	180.30 7.098	144	229.18 9.023	228.04 8.978
25	39.79 1.566	38.65 1.521	55	87.54 3.446	86.40 3.401	85	135.28 5.326	134.14 5.281	115	183.03 7.206	181.89 7.161	145	230.77 9.086	229.63 9.041
26	41.38 1.629	40.24 1.584	56	89.13 3.509	87.99 3.464	86	136.87 5.389	135.73 5.344	116	184.62 7.268	183.48 7.223	146	232.37 9.148	231.23 9.103
27	42.97 1.692	41.83 1.647	57	90.72 3.572	89.58 3.527	87	138.46 5.451	137.32 5.406	117	186.21 7.331	185.07 7.286	147	233.96 9.211	232.82 9.166
28	44.56 1.754	43.42 1.709	58	92.31 3.634	91.17 3.589	88	140.06 5.514	138.92 5.469	118	187.80 7.394	186.66 7.349	148	235.55 9.274	234.41 9.229
29	46.15 1.817	45.01 1.772	59	93.90 3.697	92.76 3.652	89	141.65 5.577	140.51 5.532	119	189.39 7.456	188.25 7.411	149	237.14 9.336	236.00 9.291
30	47.75 1.880	46.61 1.835	60	95.49 3.760	94.35 3.715	90	143.24 5.639	142.10 5.594	120	190.99 7.519	189.85 7.474	150	238.73 9.399	237.59 9.354
31	49.34 1.942	48.20 1.897	61	97.08 3.822	95.94 3.777	91	144.83 5.702	143.69 5.657	121	192.58 7.582	191.44 7.537	151	240.32 9.462	239.18 9.417
32	50.93 2.005	49.79 1.960	62	98.68 3.885	97.54 3.840	92	146.42 5.765	145.28 5.720	122	194.17 7.644	193.03 7.599	152	241.92 9.524	240.78 9.479
33	52.52 2.068	51.38 2.023	63	100.27 3.948	99.13 3.903	93	148.01 5.827	146.87 5.782	123	195.76 7.707	194.62 7.662	153	243.51 9.587	242.37 9.542
34	54.11 2.130	52.97 2.085	64	101.86 4.010	100.72 3.965	94	149.61 5.890	148.47 5.845	124	197.35 7.770	196.21 7.725	154	245.10 9.650	243.96 9.605
35	55.70 2.193	54.56 2.148	65	103.45 4.073	102.31 4.028	95	151.20 5.953	150.06 5.908	125	198.94 7.832	197.80 7.787	155	246.69 9.712	245.55 9.667
36	57.30 2.256	56.16 2.211	66	105.04 4.136	103.90 4.091	96	152.79 6.015	151.65 5.970	126	200.54 7.895	199.40 7.850	156	248.28 9.775	247.14 9.730
37	58.89 2.318	57.75 2.273	67	106.63 4.198	105.49 4.153	97	154.38 6.078	153.24 6.033	127	202.13 7.958	200.99 7.913	157	249.87 9.838	248.73 9.793
38	60.48 2.381	59.34 2.336	68	108.23 4.261	107.09 4.216	98	155.97 6.141	154.83 6.096	128	203.72 8.020	202.58 7.975	158	251.46 9.900	250.32 9.855
39	62.07 2.444	60.93 2.399	69	109.82 4.324	108.68 4.279	99	157.56 6.203	156.42 6.158	129	205.31 8.083	204.17 8.038	159	253.06 9.963	251.92 9.918
40	63.66 2.506	62.52 2.461	70	111.41 4.386	110.27 4.341	100	159.15 6.266	158.01 6.221	130	206.90 8.146	205.76 8.101	160	254.65 10.026	253.51 9.981
41	62.25 2.569	64.11 2.524	71	113.00 4.449	111.86 4.404	101	160.75 6.329	159.61 6.284	131	208.49 8.208	207.35 8.163			
42	66.85 2.632	65.71 2.587	72	114.59 4.511	113.45 4.466	102	162.34 6.391	161.20 6.346	132	210.08 8.271	208.94 8.226			

HTS® 8mm Sprocket Diameters

No. of Teeth	Diameters		No. of Teeth	Diameters		No. of Teeth	Diameters		No. of Teeth	Diameters		No. of Teeth	Diameters	
	PD	mm In. OD		PD	mm In. OD		PD	mm In. OD		PD	mm In. OD		PD	mm In. OD
22	56.02 2.206	54.66 2.152	57	145.15 5.715	143.78 5.660	92	234.28 9.223	232.90 9.169	127	323.41 12.733	322.03 12.678	162	412.53 16.241	411.16 16.187
23	58.57 2.306	57.20 2.252	58	147.70 5.815	146.32 5.761	93	236.82 9.324	235.45 9.270	128	325.95 12.833	324.58 12.779	163	415.08 16.342	413.70 16.288
24	61.12 2.406	59.74 2.352	59	150.24 5.915	148.87 5.861	94	239.37 9.424	238.00 9.370	129	328.50 12.933	327.12 12.879	164	417.62 16.442	416.25 16.388
25	63.66 2.506	62.28 2.452	60	152.79 6.015	151.42 5.961	95	241.92 9.524	240.54 9.470	130	331.04 13.033	329.67 12.979	165	420.17 16.542	418.8 16.488
26	66.21 2.607	64.85 2.553	61	155.34 6.116	153.96 6.062	96	244.46 9.624	243.09 9.570	131	333.59 13.133	332.22 13.079	166	422.72 16.642	421.34 16.588
27	68.75 2.707	67.39 2.653	62	157.88 6.216	156.51 6.162	97	247.01 9.725	245.64 9.671	132	336.14 13.234	334.76 13.180	167	425.26 16.743	423.89 16.689
28	71.30 2.807	70.08 2.759	63	160.43 6.316	159.06 6.262	98	249.55 9.825	248.18 9.771	133	338.68 13.334	337.31 13.280	168	427.81 16.843	426.44 16.789
29	73.85 2.907	72.62 2.859	64	162.97 6.416	161.60 6.362	99	252.10 9.925	250.73 9.871	134	341.23 13.434	339.86 13.380	169	430.35 16.943	428.98 16.889
30	76.39 3.008	75.13 2.958	65	165.52 6.517	164.15 6.463	100	254.65 10.025	253.28 9.971	135	343.77 13.534	342.40 13.480	170	432.90 17.043	431.53 16.989
31	78.94 3.108	77.65 3.057	66	168.07 6.617	166.70 6.563	101	257.19 10.126	255.82 10.072	136	346.32 13.635	344.95 13.581	171	435.45 17.144	434.08 17.090
32	81.49 3.208	80.16 3.156	67	170.61 6.717	169.24 6.663	102	259.74 10.226	258.37 10.172	137	348.87 13.735	347.50 13.681	172	437.99 17.244	436.62 17.190
33	84.03 3.308	82.68 3.255	68	173.16 6.817	171.79 6.763	103	262.29 10.326	260.92 10.272	138	351.41 13.835	350.04 13.781	173	440.54 17.344	439.17 17.290
34	86.58 3.409	85.22 3.355	69	175.71 6.918	174.34 6.864	104	264.83 10.427	263.46 10.372	139	353.96 13.935	352.59 13.881	174	443.09 17.444	441.72 17.390
35	89.13 3.509	87.76 3.455	70	178.25 7.018	176.88 6.964	105	267.38 10.527	266.01 10.473	140	356.51 14.036	355.14 13.982	175	445.63 17.544	444.26 17.491
36	91.67 3.609	90.30 3.555	71	180.80 7.118	179.43 7.064	106	269.93 10.628	268.56 10.573	141	359.05 14.136	357.68 14.082	176	448.18 17.645	446.81 17.591
37	94.22 3.709	92.85 3.655	72	183.35 7.218	181.97 7.164	107	272.47 10.728	271.10 10.673	142	361.60 14.236	360.23 14.182	177	450.73 17.745	449.36 17.691
38	96.77 3.810	95.39 3.756	73	185.89 7.319	184.52 7.265	108	275.02 10.828	273.65 10.771	143	364.15 14.336	362.77 14.282	178	453.27 17.845	451.90 17.791
39	99.31 3.910	97.94 3.856	74	188.44 7.419	187.07 7.365	109	277.57 10.928	276.19 10.874	144	366.69 14.437	365.32 14.383	179	455.82 17.946	454.45 17.892
40	101.86 4.010	100.49 3.956	75	190.99 7.519	189.61 7.465	110	280.11 11.028	278.74 10.974	145	369.24 14.537	367.87 14.483	180	458.37 18.046	456.99 17.992
41	104.41 4.110	103.03 4.056	76	193.53 7.619	192.16 7.565	111	282.66 11.128	281.29 11.074	146	371.79 14.637	370.41 14.583	181	460.91 18.146	459.54 18.092
42	106.95 4.211	105.58 4.157	77	196.08 7.720	194.71 7.666	112	285.21 11.229	283.83 11.175	147	374.33 14.737	372.96 14.683	182	463.46 18.246	462.09 18.192
43	109.50 4.311	108.13 4.257	78	198.63 7.820	197.25 7.766	113	287.75 11.329	286.38 11.275	148	376.88 14.838	375.51 14.784	183	466.01 18.347	464.63 18.293
44	112.05 4.411	110.67 4.357	79	201.17 7.920	199.81 7.866	114	290.30 11.429	288.93 11.375	149	379.43 14.938	378.05 14.884	184	468.55 18.447	467.18 18.393
45	114.59 4.511	113.22 4.457	80	203.72 8.020	202.35 7.966	115	292.85 11.529	291.47 11.475	150	381.97 15.038	380.60 14.984	185	471.10 18.547	469.73 18.493
46	117.14 4.612	115.77 4.558	81	206.26 8.121	204.89 8.067	116	295.39 11.630	294.02 11.576	151	384.52 15.138	383.15 15.084	186	473.65 18.647	472.27 18.593
47	119.68 4.712	118.31 4.658	82	208.81 8.221	207.44 8.167	117	297.94 11.730	296.57 11.676	152	387.06 15.239	385.70 15.185	187	476.19 18.748	474.82 18.694
48	122.23 4.812	120.86 4.758	83	211.36 8.321	209.99 8.267	118	300.48 11.830	299.11 11.776	153	389.61 15.339	388.24 15.285	188	478.74 18.848	477.37 18.794
49	124.78 4.912	123.41 4.858	84	213.90 8.421	212.53 8.367	119	303.03 11.930	301.66 11.876	154	392.16 15.439	390.79 15.385	189	481.28 18.948	479.91 18.894
50	127.32 5.013	125.95 4.959	85	216.45 8.522	215.08 8.468	120	305.58 12.031	304.21 11.977	155	394.70 15.540	393.33 15.486	190	483.83 19.048	482.46 18.994
51	129.87 5.113	128.50 5.059	86	219.00 8.622	217.63 8.568	121	308.12 12.131	306.75 12.077	156	397.25 15.640	395.88 15.586	191	486.38 19.149	485.01 19.095
52	132.42 5.213	131.05 5.159	87	221.54 8.722	220.17 8.668	122	310.67 12.231	309.30 12.177	157	399.80 15.740	398.43 15.686	192	488.92 19.249	487.55 19.195
53	134.96 5.314	133.59 5.259	88	224.09 8.822	222.72 8.768	123	313.22 12.331	311.85 12.227	158	402.34 15.840	400.97 15.786			
54	137.51 5.414	136.14 5.360	89	226.64 8.923	225.27 8.869	124	315.76 12.432	314.39 12.378	159	404.89 15.941	403.52 15.887			
55	140.06 5.514	138.68 5.460	90	229.18 9.023	227.81 8.969	125	318.31 12.532	316.94 12.478	160	407.44 16.041	406.07 15.987			
56	142.60 5.614	141.23 5.560	91	231.73 9.123	230.36 9.069	126	320.86 12.632	319.48 12.578	161	409.98 16.141	408.61 16.087			

PULLEYS



HTS® 14mm Sprocket Diameters

No. of Teeth	Diameters mm In.		No. of Teeth	Diameters mm In.		No. of Teeth	Diameters mm In.		No. of Teeth	Diameters mm In.		No. of Teeth	Diameters mm In.	
	PD	OD		PD	OD		PD	OD		PD	OD		PD	OD
28	124.78 4.912	122.12 4.808	66	294.12 11.579	291.32 11.469	104	463.46 18.246	460.66 18.136	142	632.80 24.913	630.01 24.803	180	802.14 31.580	799.35 31.47
29	129.23 5.088	126.57 4.983	67	298.57 11.755	295.78 11.645	105	467.92 18.422	465.12 18.312	143	637.26 25.089	634.46 24.979	181	806.60 31.756	803.80 31.646
30	133.69 5.263	130.99 5.157	68	303.03 11.930	300.24 11.820	106	472.37 18.597	469.58 18.487	144	641.71 25.264	638.92 25.154	182	811.05 31.931	808.26 31.821
31	138.15 5.439	135.46 5.333	69	307.49 12.106	304.69 11.996	107	476.83 18.773	474.03 18.663	145	646.17 25.440	643.37 25.330	183	815.51 32.107	812.72 31.997
32	142.60 5.614	139.88 5.507	70	311.94 12.281	309.15 12.171	108	481.28 18.948	478.49 18.838	146	650.63 25.615	647.83 25.505	184	819.97 32.252	817.17 32.172
33	147.06 5.790	144.35 5.683	71	316.40 12.457	313.61 12.347	109	485.74 19.124	482.95 19.014	147	655.08 25.791	652.29 25.681	185	824.42 32.458	821.63 32.348
34	151.52 5.965	148.79 5.858	72	320.86 12.632	318.06 12.522	110	490.20 19.299	487.40 19.189	148	659.54 25.966	656.74 25.856	186	828.88 32.633	826.08 32.523
35	155.98 6.141	153.24 6.033	73	325.31 12.808	322.52 12.698	111	494.65 19.475	491.86 19.365	149	663.99 26.141	661.20 26.031	187	833.33 32.808	830.54 32.698
36	160.43 6.316	157.68 6.208	74	329.77 12.983	326.97 12.873	112	499.11 19.650	496.32 19.540	150	668.45 26.317	665.66 26.207	188	837.79 32.954	835.00 32.874
37	164.88 6.491	162.13 6.383	75	334.22 13.158	331.43 13.048	113	503.57 19.825	500.77 19.715	151	672.91 26.492	670.11 26.382	189	842.25 33.159	839.45 33.049
38	169.34 6.667	166.60 6.559	76	338.68 13.334	335.89 13.224	114	508.20 20.001	505.23 19.891	152	677.36 26.668	674.57 26.558	190	846.70 33.335	843.91 33.225
39	173.80 6.842	171.02 6.733	77	343.14 13.509	340.34 13.399	115	512.48 20.176	509.68 20.066	153	681.82 26.843	679.03 26.733	191	851.16 33.510	848.37 33.400
40	178.25 7.018	175.49 6.909	78	347.59 13.685	344.80 13.575	116	516.93 20.352	514.14 20.242	154	690.73 27.194	687.94 27.084	192	855.62 33.686	852.82 33.576
41	182.71 7.193	179.92 7.083	79	352.05 13.860	349.26 13.750	117	521.39 20.527	518.60 20.417	155	690.73 27.194	687.94 27.084	193	860.07 33.861	857.28 33.751
42	187.17 7.369	184.37 7.259	80	356.51 14.036	353.71 13.926	118	525.85 20.703	523.05 20.593	156	695.19 27.370	692.39 27.260	194	864.53 34.037	861.75 33.927
43	191.62 7.544	188.83 7.434	81	360.96 14.211	358.17 14.101	119	530.30 20.878	527.51 20.768	157	699.64 27.545	696.85 27.435	195	868.98 34.212	866.44 34.112
44	196.08 7.720	193.28 7.610	82	365.42 14.387	362.63 14.277	120	534.76 21.054	531.97 20.944	158	704.10 27.720	701.31 27.610	196	873.44 34.387	870.64 34.277
45	200.53 7.895	197.74 7.785	83	369.88 14.562	367.08 14.452	121	539.22 21.229	536.42 21.119	159	708.56 27.896	705.76 27.786	197	877.90 34.553	875.11 34.453
46	204.99 8.071	202.20 7.961	84	374.33 14.737	371.54 14.627	122	543.67 21.404	540.88 21.294	160	713.01 28.071	710.22 27.961	198	882.35 34.738	879.55 34.628
47	209.45 8.246	206.65 8.136	85	378.79 14.913	375.99 14.803	123	548.13 21.580	545.34 21.470	161	717.47 28.247	714.68 28.137	199	886.81 34.914	884.02 34.804
48	213.90 8.421	211.11 8.311	86	383.24 15.068	380.45 14.978	124	552.59 21.755	549.79 21.645	162	721.93 28.422	719.13 28.312	200	891.27 35.089	888.47 34.979
49	218.36 8.597	215.57 8.487	87	387.70 15.264	384.91 15.154	125	557.04 21.931	554.25 21.821	163	726.38 28.598	723.59 28.488	201	895.72 35.265	892.94 35.155
50	222.82 8.772	220.02 8.662	88	392.16 15.439	389.36 15.329	126	561.50 22.106	558.70 21.996	164	730.84 28.773	728.05 28.663	202	900.18 35.440	897.38 35.330
51	227.27 8.948	224.48 8.838	89	396.61 15.615	393.82 15.505	127	565.95 22.282	563.16 22.172	165	735.30 28.949	732.50 28.839	203	906.64 35.616	901.85 35.506
52	231.73 9.123	228.94 9.013	90	401.07 15.790	398.28 15.680	128	570.41 22.457	567.62 22.347	166	739.75 29.124	736.96 29.014	204	909.09 35.791	906.30 35.681
53	236.19 9.299	233.39 9.189	91	405.53 15.966	402.73 15.856	129	574.87 22.633	572.07 22.523	167	744.21 29.299	741.41 29.189	205	913.55 35.966	910.74 35.856
54	240.64 9.474	237.85 9.354	92	409.98 16.141	407.19 16.031	130	579.32 22.808	576.53 22.689	168	748.66 29.475	745.87 29.365	206	918.00 36.142	915.21 36.032
55	245.10 9.650	242.30 9.540	93	414.44 16.316	411.64 16.206	131	583.78 22.983	580.99 22.873	169	753.12 29.650	750.33 29.540	207	922.46 36.317	919.66 36.207
56	249.55 9.825	246.76 9.715	94	418.90 16.492	416.10 16.382	132	588.24 23.159	585.44 23.049	170	757.58 29.826	754.78 29.716	208	926.92 36.493	924.13 36.383
57	254.01 10.000	251.22 9.890	95	423.35 16.667	420.56 16.557	133	592.69 23.334	589.90 23.224	171	762.03 30.001	759.24 29.891	209	931.97 36.668	928.57 36.558
58	258.47 10.176	255.67 10.066	96	427.81 16.843	425.01 16.733	134	597.15 23.510	594.35 23.400	172	766.49 30.177	763.70 30.067	210	935.83 36.844	933.04 36.734
59	262.92 10.351	260.13 10.241	97	432.26 17.018	429.47 16.908	135	601.61 23.685	598.81 23.575	173	770.95 30.352	768.15 3.242	211	940.29 37.019	937.49 36.909
60	267.38 10.527	264.59 10.417	98	436.72 17.194	433.93 17.084	136	606.06 23.861	603.27 23.751	174	775.40 30.528	772.61 30.418	212	944.74 37.195	941.96 37.085
61	271.84 10.702	269.04 10.592	99	441.18 17.369	438.38 17.259	137	610.52 24.036	607.72 23.926	175	779.86 30.703	777.06 30.593	213	949.20 37.370	946.40 37.260
62	276.29 10.878	273.50 10.768	100	445.63 17.545	442.84 17.435	138	614.97 24.212	612.18 24.102	176	784.32 30.878	781.52 30.768	214	953.65 37.545	950.85 37.435
63	280.75 11.053	277.95 10.943	101	450.09 17.720	447.30 17.610	139	619.43 24.387	616.64 24.277	177	788.77 31.054	785.98 30.944	215	958.11 37.721	955.32 37.611
64	285.21 11.229	282.41 11.119	102	454.55 17.895	451.75 17.785	140	623.89 24.562	621.09 24.452	178	793.23 31.228	790.43 31.119	216	962.57 37.896	959.76 37.786
65	289.66 11.404	286.87 11.294	103	459.00 18.071	456.21 17.961	141	628.34 24.738	625.55 24.628	179	797.68 31.405	794.89 31.295			

PULLEYS

HTS® 20mm Sprocket Diameters

No. of Teeth	Diameters		No. of Teeth	Diameters		No. of Teeth	Diameters		No. of Teeth	Diameters		No. of Teeth	Diameters	
	PD	mm In.		PD	mm In.		PD	mm In.		PD	mm In.		PD	mm In.
34	216.45 8.522	212.13 8.352	71	452.00 17.795	447.68 17.625	108	687.55 27.069	683.23 26.899	145	923.10 36.342	918.78 36.172	182	1158.65 45.616	1154.33 45.446
35	222.82 8.772	218.50 8.602	72	458.37 18.046	454.05 17.876	109	693.92 27.320	689.60 27.150	146	929.46 36.593	925.15 36.423	183	1165.01 45.867	1160.70 45.697
36	229.18 9.023	224.87 8.853	73	464.73 18.297	460.41 18.127	110	700.28 27.570	695.96 27.400	147	935.83 36.840	931.51 36.674	184	1171.38 46.117	1167.06 45.947
37	235.55 9.274	231.23 9.104	74	471.10 18.547	466.78 18.377	111	706.65 27.821	702.33 27.651	148	942.20 37.094	937.88 36.924	185	1177.75 46.368	1173.43 46.198
38	241.92 9.524	237.60 9.354	75	477.46 18.798	473.15 18.628	112	713.01 28.071	708.70 27.901	149	948.56 37.345	944.25 37.175	186	1184.11 46.619	1179.79 46.449
39	248.28 9.775	243.96 9.605	76	483.83 19.048	479.51 18.878	113	719.38 28.322	715.06 28.152	150	954.93 37.596	950.61 37.426	187	1190.48 46.859	1186.16 46.699
40	254.65 10.026	250.33 9.855	77	490.20 19.299	485.88 19.129	114	725.75 28.573	721.43 28.403	151	961.30 37.846	956.98 37.676	188	1196.85 47.120	1192.53 46.950
41	261.01 10.276	256.70 10.106	78	496.56 19.550	492.25 19.380	115	732.11 28.823	727.79 28.653	152	967.66 38.097	963.34 37.927	189	1203.21 47.371	1198.89 47.201
42	267.38 10.527	263.06 10.357	79	502.93 19.800	498.61 19.630	116	738.48 29.074	734.16 28.904	153	974.03 38.348	969.71 38.178	190	1209.58 47.621	1205.26 47.451
43	273.75 10.777	269.43 10.607	80	509.30 20.051	504.98 19.881	117	744.85 29.325	740.53 29.155	154	980.39 38.598	976.08 38.428	191	1215.94 47.672	1211.63 47.702
44	280.11 11.028	275.79 10.858	81	515.66 20.302	511.34 20.132	118	751.21 29.575	746.89 29.405	155	986.76 38.849	982.44 38.679	192	1222.31 48.122	1217.99 47.952
45	286.48 11.279	282.16 11.109	82	522.03 20.552	517.71 20.382	119	757.58 29.826	753.26 29.656	156	993.13 39.099	988.81 38.929	193	1228.68 48.373	1224.36 48.203
46	292.85 11.529	288.53 11.469	83	528.39 20.803	524.08 20.633	120	763.94 30.077	759.63 29.907	157	999.49 39.350	995.18 39.180	194	1235.04 48.624	1230.72 48.454
47	299.21 11.780	294.89 11.610	84	534.76 21.054	530.44 20.884	121	770.31 30.327	765.99 30.157	158	1005.86 39.601	1001.54 39.431	195	1241.41 48.874	1237.09 48.704
48	305.58 12.031	301.26 11.861	85	541.13 21.304	536.81 21.134	122	776.68 30.578	772.36 30.408	159	1012.23 39.851	1007.91 39.681	196	1247.77 49.125	1243.46 48.955
49	311.94 12.281	307.63 12.111	86	547.49 21.555	543.18 21.385	123	783.04 30.828	778.72 30.658	160	1018.59 40.102	1014.27 39.932	197	1254.14 49.376	1249.82 49.206
50	318.31 12.532	313.99 12.362	87	553.86 21.805	549.54 21.635	124	789.41 31.079	785.09 30.909	161	1024.96 40.353	1020.64 40.183	198	1260.51 49.626	1256.19 49.456
51	324.68 12.763	320.36 12.613	88	560.23 22.056	555.91 21.886	125	795.77 31.330	791.46 31.160	162	1031.32 40.603	1027.01 40.433	199	1266.87 49.577	1262.56 49.707
52	331.04 13.033	326.72 12.863	89	566.59 22.307	562.27 22.137	126	805.14 31.580	797.82 31.410	163	1037.69 40.854	1033.37 40.684	200	1273.24 50.128	1268.92 49.958
53	337.41 13.284	333.09 13.114	90	572.96 22.557	568.64 22.387	127	808.51 31.831	804.19 31.661	164	1044.06 41.105	1039.74 40.935	201	1279.61 50.378	1275.29 50.208
54	343.77 13.534	339.46 13.364	91	579.32 22.808	575.01 22.638	128	814.87 32.082	810.56 31.912	165	1050.42 41.355	1046.10 41.185	202	1285.97 50.629	1281.65 50.459
55	350.14 13.785	345.82 13.615	92	585.69 23.059	581.37 22.889	129	821.24 32.332	816.92 32.162	166	1056.79 41.606	1052.47 41.436	203	1292.34 50.679	1288.02 50.709
56	356.51 14.036	352.19 13.856	93	592.06 23.309	587.74 23.139	130	827.61 32.583	823.29 32.413	167	1063.16 41.856	1058.34 41.686	204	1298.70 51.130	1294.39 50.960
57	362.87 14.286	358.56 14.116	94	598.42 23.560	594.10 23.390	131	833.97 32.834	829.65 32.664	168	1069.52 42.107	1065.20 41.937	205	1305.07 51.381	1300.75 51.211
58	369.24 14.537	364.92 14.367	95	604.72 23.811	600.47 23.641	132	840.34 33.084	836.02 32.914	169	1075.89 42.358	1071.57 42.188	206	1311.44 51.631	1307.12 51.461
59	375.61 14.788	371.29 14.618	96	611.15 24.061	606.84 23.891	133	846.70 33.335	842.39 33.165	170	1082.25 42.608	1077.94 42.438	207	1317.80 51.882	1313.48 51.712
60	381.97 15.038	377.65 14.868	97	617.52 24.312	613.20 24.142	134	853.07 33.585	848.75 33.415	171	1088.62 42.859	1084.30 42.689	208	1324.17 52.133	1319.85 51.963
61	388.34 15.289	384.02 15.119	98	623.89 24.562	619.57 24.392	135	859.44 33.836	855.12 33.666	172	1094.99 43.110	1090.67 42.940	209	1330.54 52.383	1326.22 52.213
62	394.70 15.540	390.39 15.370	99	630.25 24.813	625.94 24.643	136	865.80 34.087	861.48 33.917	173	1101.35 43.350	1097.03 43.190	210	1336.90 52.634	1332.58 52.464
63	401.07 15.790	396.75 15.620	100	636.62 25.064	632.30 24.894	137	872.17 34.337	867.85 34.167	174	1107.72 43.611	1103.40 43.441	211	1343.27 52.885	1338.95 52.715
64	407.44 16.041	403.12 15.871	101	642.99 25.314	638.67 25.144	138	878.54 34.588	874.22 34.418	175	1114.08 43.862	1109.77 43.692	212	1349.63 53.135	1345.32 52.965
65	413.80 16.291	409.48 16.121	102	649.35 25.565	645.03 25.395	139	884.90 34.839	880.58 34.669	176	1120.45 44.112	1116.13 43.942	213	1356.00 53.386	1351.68 53.216
66	420.17 16.542	415.85 16.372	103	655.72 25.816	651.40 25.646	140	891.27 35.089	886.95 34.919	177	1126.82 44.363	1122.50 44.193	214	1362.37 53.635	1358.05 53.456
67	426.54 16.793	422.22 16.623	104	662.08 26.066	657.77 25.896	141	897.63 35.340	893.32 35.170	178	1133.18 44.614	1128.87 44.444	215	1368.73 53.887	1364.41 53.717
68	432.90 17.043	428.58 16.873	105	668.45 26.317	664.13 26.147	142	904.00 35.591	899.68 35.421	179	1139.55 44.854	1135.23 44.694	216	1375.10 54.136	1370.79 53.958
69	439.27 17.299	434.95 17.124	106	674.82 26.568	670.50 26.398	143	910.37 35.841	906.05 35.671	180	1145.92 45.115	1141.60 44.945			
70	445.63 17.545	441.32 17.375	107	681.18 26.818	676.87 26.648	144	916.73 36.092	912.41 35.922	181	1152.28 45.365	1147.96 45.195			

PULLEYS



HTS DRIVE SELECTION BASED ON RPP® and RPP® PLUS BELT RATINGS

The selection of a stock RPP® and RPP® PLUS Belt Drive involves these simple steps:

- Step 1.** Determine service factor and calculate design horsepower.
- Step 2.** Select pitch using belt pitch selection guide.
- Step 3.** Select drive using pre-engineered drive tables.
- Step 4.** Determine drive width.
- Step 5.** Specify drive components: sprockets, bushings and belts.

To illustrate the design procedure, the following sample problem will be solved simultaneously with the instructions for each step.

Sample Problem

A gear pump is to be driven by 40 HP NEMA, Type B, electric motor with an output speed of 1160 rpm. The gear pump is to be driven at 580 rpm +5%. The center distance is desired to approximately 30 inches, but can be altered +3 inches, if necessary. The motor shaft is 2 3/8 inches and the pump shaft is 3 inches. The pump will operate 2 shifts per day, 5 days per week. The pump sprocket is limited to 18 inches OD. There are no unusual drive conditions.

STEP 1. Determine Design Horsepower

PROCEDURE

To calculate the design HP, it is necessary to determine a service factor based on the power source, driven machine and the type duty required. To choose the service factor, first determine the driver classification for the prime mover. Now find the driven machine type for the application. If your specific application is not listed, choose one with similar load characteristics.

For speed-up drives, an additional service factor must be applied. This add-on factor is dependent upon drive ratio. Refer to table 1c for additional service factors.

To find the design HP, multiply the service factor by the motor nameplate rating or by the brake horsepower developed if an engine is being used.

EXAMPLE

Using Table 1a on page K-90, we find the 1160 rpm 40 HP, NEMA B, motor fall in Class II. Referring to the Class II column in Table 1b, it will be noted that the gear pump has a service factor of 1.4.

Since the pump will run 2 shifts a day, we then add 0.2 from Table 1c to 1.4 for a total service factor of 1.6.

$$\text{Rated HP} \times \text{Service factor} = \text{Design HP} \\ 40 \times 1.6 = 64\text{HP}$$

STEP 2. Select Belt Pitch

PROCEDURE

Using the design HP calculated above and the rpm of the smaller sprocket; select from the "Belt Pitch Selection Guide" on page K-91 the belt pitch best suited for the application. If the drive falls into two pitches it is usually a good idea to check both pitches, starting with the lighter one.

EXAMPLE

Find 1160 rpm on the horizontal scale and move up to 64 design HP on the vertical scale. The intersection falls into the 14mm pitch area.

Basic Service Factors



To find a basic service factor: First, determine the class of the driveR (prime mover) in table 1a. Then, determine the basic service factor for the application in table 1b - in the same class as the driveR.

1a: driveR (prime mover)

Class of driveR	Class I	Class II	Class III
Momentary Peak Load, % of Rated Load	149%	150 to 249%	250 to 400%
AC Electric Motors:			
Single Phase Squirrel Cage			all
NEMA design A			
3600 rpm	40 HP up	1-1/2 thru 30 HP	1 thru 3 HP
1800 rpm	100 HP up	5 thru 75 HP	
1200 rpm	15 HP up	3/4 thru 10HP	
900 rpm	5 HP up	1/2 thru 3 HP	
NEMA design B			
3600 rpm		5 HP up	1 1/2 thru 3 HP
1800 rpm		5 HP up	1 thru 3 HP
1200 rpm		5 HP up	3/4 thru 3 HP
900 rpm		2 HP up	1 1/2 thru 1 1/2 HP
NEMA design C			
1800 rpm		15 HP up	5 thru 10 HP
1200 rpm		7-1/2 HP up	3 and 5 HP
900 rpm		all	
NEMA design D			all
NEMA design F	all		
Wound Rotor			
1800 rpm		20 HP	2 to 15 HP
1200 rpm		15 HP	2 to 10HP
900 rpm		7-1/2 HP	1 to 5HP
Synchronous		normal torque	high torque
DC Electric Motors	shunt	compound	series
Engines — int combust	8 cyl up	6 cyl	4 cyl or less
Hydraulic Motors,			
Line Shafts			all

1c: Additional Service Factors

Operating Conditions

Intermittent or Seasonal	Sub 0.1
Add for 10-16 hr. service	Add 0.2
Add for 16-24 hr. service	Add 0.4
Add for each idler	Add 0.2

Speed-Up Drives

For speed-up drives, add to the basic service factor the additional factor given below.

Speed-up Ratio range	Additional Factor	Speed-up Ratio Range	Additional Factor
1 to 1.24	none	2.50 to 3.49	.30
1.25 to 1.74	.10	3.50 & over	.40
1.75 to 2.49	.20		

Unusual Conditions

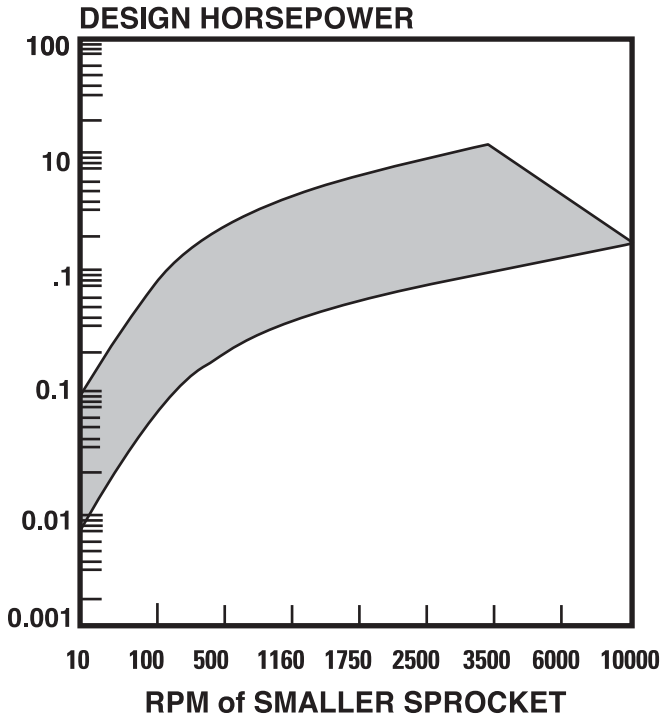
Additional service factors are required for unusual conditions - such as load reversal, heavy shock, plugged motor stop, electric brake. These should be determined by a transmission specialist.

1b: Basic Service factors of driveN Machines

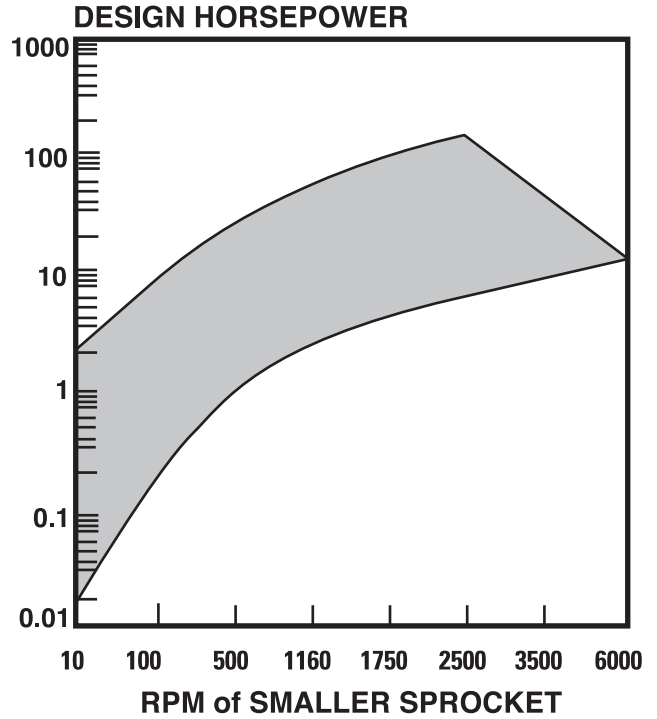
driveN Machines	Class I	Class II	Class III
Agitators, Mixers			
liquid	1.2	1.4	1.6
(paddle or propeller) semi-liquid	1.3	1.5	1.7
Bakery Machinery, Dough Mixers	1.2	1.4	1.6
Brick and Clay Machinery			
augers, mixers, granulators	1.4	1.6	1.8
pug mills	1.6	1.8	2.0
Centrifuges	1.5	1.7	—
Compressors			
reciprocating*	1.6	1.8	2.0
centrifugal	1.4	1.5	1.6
Conveyors			
belt, light package, oven	1.1	1.2	1.3
belt: ore, coal, sand	1.2	1.4	1.6
apron, bucket, elevator, pan	1.4	1.6	1.8
flight, screw	1.4	1.6	1.8
Fans, blowers			
Centrifugal, induced	1.4	1.6	1.8
draft exhausters			
propeller, mine fans,			
positive blowers			
Generators and Exciters	1.4	1.6	1.8
Hammer Mills	1.5	1.7	1.9
Hoists, Elevators	1.4	1.6	1.8
Laundry Machinery			
general	1.2	1.4	1.6
extractors, washers	1.4	1.6	1.8
Line Shafts	1.2	1.4	1.6
Machine Tools			
drill presses,	1.2	1.4	1.6
lathes, screw machines			
boring mills, grinders			
milling machines, shapers			
Mills			
ball, rod, pebble, etc.	—	1.9	2.1
Paper Machinery			
agitators, calendars, dryers	1.2	1.4	1.6
beaters, jordans, Nash pumps	1.4	1.6	1.8
pulpers			
Printing Machinery			
presses, newspaper, rotary,	1.2	1.4	1.6
embossing, flat bed, magazine;			
linotype machines; cutters; folders			
Pumps			
centrifugal, gear, rotary, pipeline	1.2	1.4	1.6
reciprocating*	1.7	1.9	2.1
Rubber Plant Machinery	1.4	1.6	1.8
Saw Mill Machinery	1.4	1.6	1.8
Screens			
vibrating (shakers)	1.3	1.5	—
drum, conical	1.2	1.4	—
Textile Machinery			
looms, spinning frames, twisters	1.3	1.5	1.7
warpers, reels	1.2	1.4	—
Woodworking Machinery			
lathes, band saws	1.2	1.3	—
jointer, circular saws, planers	1.2	1.4	—

*Note: When the driveN sprocket is used as a flywheel to reduce speed fluctuations, a specially constructed sprocket may be required. Consult *Martin* with the WR2 of the unit.

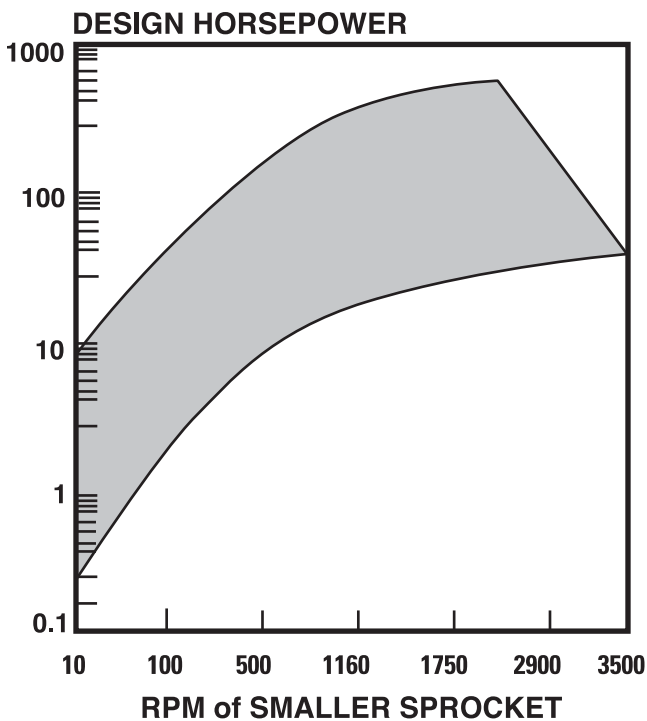
5MM PITCH



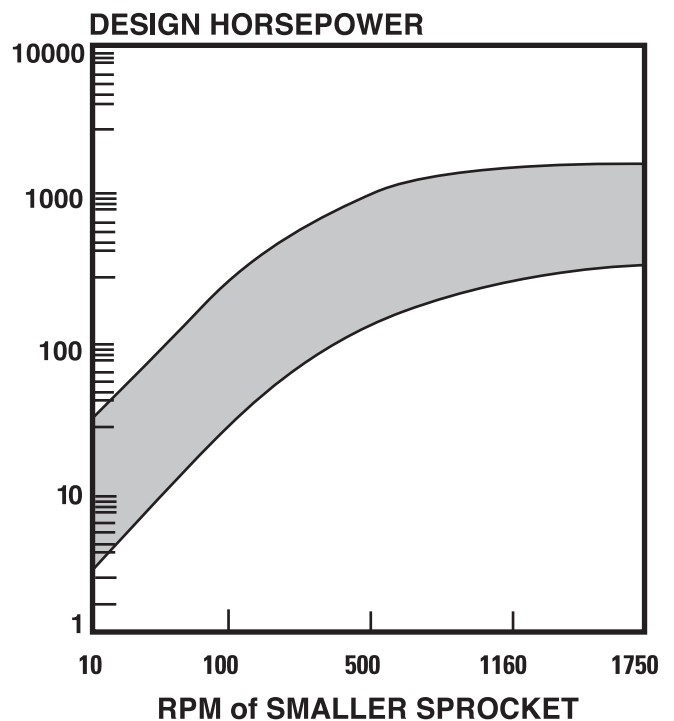
8MM PITCH



14MM PITCH



20MM PITCH



HTS[®] Drive Selection Procedure



STEP 3. Select Sprocket and Belt Length

PROCEDURE

- a.** Determine speed ratio:
The speed ratio can be determined by any of the following methods.
1. Divide the rpm of the faster shaft by the slower shaft.
 2. Divide the large sprocket diameter by the small sprocket diameter.
 3. Divide the number of teeth of the large sprocket by the number of teeth of the small sprocket.
- b.** Select sprocket combination: turn to the Stock Drive Selection Tables (pages K-94 to K-149) and run down the left hand margin. Moving over within the selected speed ratio block we find the stock sprocket combinations available within this speed ratio. Selection will depend on the center distance required as well as the recommended minimum sprocket diameter for electric motors (see table below).
- c.** After selecting possible sprocket combinations which meet the center distance requirements, select the belt length required by proceeding up the column containing the center distance selected. At the top of the column will be the belt length code designation that will produce that center distance on that particular sprocket combination. Record the length factor given at the top or bottom of the table.

EXAMPLE

$$\text{a. } \frac{\text{rpm of faster shaft}}{\text{rpm of slower shaft}} = \frac{1160}{580} = 2.0$$

Desired ratio if 2.0 to 1

- b.** Using the Stock Drive Selection Tables for 14mm pitch and 1160 rpm drivers on pages K-132 to K-141, locate the drive ratio of 2.0. Eight combinations are shown on page K-126, all of which will meet the 30 + in. center distance desired. The maximum OD limit of 18 in. on the driveN sprocket and the minimum motor diameter of 6.1 eliminates four of the combinations; and the preference for as close to the 30 in. center distance as possible would favor the 36 to 72. The choice becomes a matter of economics or space. Larger sprockets require a smaller belt width for a given horsepower rating and also means less shaft loading. Although this usually gives a longer belt flex life the drive may have a higher initial cost.
- c.** Moving up the column in which the center distance appears, we find the 36 to 72 drive will use a 2310mm belt. The length factor in this case is 1.0.

Minimum Recommended Sprocket Pitch Diameters for General Purpose Electric Motors Synchronous Belts

Motor Horsepower	Motor Rpm (60 Cycle and 50 Cycle Electric Motors)					
	575 485*	690 575*	870 725*	1160 950*	1750 1425*	3450 2850*
1/2	—	—	2.0	—	—	—
3/4	—	—	2.2	2.0	—	—
1	2.7	2.3	2.2	2.2	2.0	—
1 1/2	2.7	2.7	2.2	2.2	2.2	2.0
2	3.4	2.7	2.7	2.2	2.2	2.2
3	4.1	3.4	2.7	2.7	2.2	2.2
5	4.1	4.1	3.4	2.7	2.7	2.2
7 1/2	4.7	4.1	4.0	3.4	2.7	2.7
10	5.4	4.7	4.0	4.0	3.4	2.7
15	6.1	5.4	4.7	4.0	4.0	3.4
20	7.4	6.1	5.4	4.7	4.0	4.0
25	8.1	7.4	6.1	5.4	4.0	4.0
30	9.0	8.1	6.1	6.1	4.7	—
40	9.0	9.0	7.4	6.1	5.4	—
50	9.9	9.0	7.6	7.4	6.1	—
60	10.8	9.9	9.0	7.2	6.7	—
75	12.6	11.7	8.6	9.0	7.7	—
100	16.2	13.5	10.8	9.0	7.7	—
125	18.0	16.2	13.5	10.8	9.5	—
150	19.8	18.0	16.2	11.7	9.5	—
200	19.8	19.8	19.8	—	11.9	—
250	19.8	19.8	—	—	—	—
300	24.3	24.3	—	—	—	—

*Indicates 50 cycle RPM electric motors. #Frame 444T use 8.6
Data in the white area is from NEMA Standard MG-1-14-42 of June 1972 and MG-1-14-43 of January, 1968.
The data in the shaded area is a composite of various motor manufacturers data. They are usually conservative, and a smaller sprocket may be permitted. Consult the motor manufacturer data.

STEP 4. Select Belt Width

PROCEDURE

The stock drive selection tables on pages K-94 to K-149 list the horsepower ratings for the various stock belt widths.

To select the proper belt width, find the drive ratio required in the left-hand column. Read across to the appropriate motor rpm (1160 or 1750) and find a horsepower rating equal to or larger than the design horsepower of the drive. Keep in mind that the indicated horsepower rating must be corrected by multiplying it by the length factor, which is in the screened band above and below the center distances (length factors under 1.0 reduce the belt capacity while length factors over 1.0 increase the belt capacity). If the corrected horsepower capacity is equal to or exceeds the design hp, that belt width can be used. If it doesn't exceed the design horsepower, the next larger belt should be used.

Where there are several choices, as in this sample problem, drive limitations will generally control the choice. In addition, the following rules should be followed.

1. The larger the sprocket, the less belt width required.
2. Larger sprockets allow less strenuous flexing and, therefore, give better service life.
3. Avoid drives where the belt widths exceed sprocket diameter.
4. Larger sprockets mean lower shaft pull.

STEP 5. Check and Specify Stock Drive Components

PROCEDURE

- a. Check Sprockets Selected:
Check the sprockets selected in steps 3 and 4 against the design requirements using the dimensions given in the Sprocket Specification Tables on pages K-73 to K-84. Use flange diameter in checking against maximum diameter requirements.
- b. Determine Bushing Type and Check Bore Sizes.
Using the Sprocket Specification Tables, find the bushings to be used with the required sprockets.
- c. Specify stock drive components.

Safety Note WARNING!

FAILURE TO FOLLOW RECOMMENDED APPLICATION INFORMATION AND RECOMMENDED PROCEDURES FOR INSTALLATION, CARE, MAINTENANCE AND STORAGE OF BELTS MAY RESULT IN FAILURE TO PERFORM PROPERLY AND MAY RESULT IN DAMAGE TO PROPERTY AND SERIOUS BODILY INJURY. MAKE SURE THAT BELTS SELECTED FOR ANY APPLICATION ARE RECOMMENDED FOR THAT SERVICE.

EXAMPLE

Refer to the 14mm belt selection tables and locate the 2.00 drive ratio line. According to step 3c, the 36 to 72 tooth combination could be used. Read across the 36 to 72 combination until you reach 88 hp (RPP-85). This horsepower which exceeds the design hp of the drive is located in the 85mm belt width column.

The recommended drive would be as follows:

DriveR sprocket: P3614M85-(SF or 3020)
DriveN sprocket: P7214M85-(F or 3535)
Belt: 2310-14M-85

EXAMPLE

From the table on page K80, we find the P7214M85 (QD or TB)driveN sprocket, to have a maximum diameter over the flanges of 13.19 in. This is less than the 18 in. maximum specified.

And, from the table on page K-82, we find that there is no sprocket P2814M170 available, so the final choice will be the 36 to 72 speed ratio sprockets.

DriveR- Either P3614M85-SF or P3614M85-3020

Both choices will satisfy the 2-3/8" bore requirement.

DriveN-P7214M85-F or P7214M85-3535

Again, both choices will satisfy the 3" bore requirement. Choosing a QD bushed drive,

Stock drive components are as follows:

- 1 - 2310-14M-85-R RPPtm Belt
- 1 - P3614M85-SF Sprocket
- 1 - SF bushing with 2 3/8-inch bore
- 1 - P7214M85-F Sprocket
- 1 - F bushing with 3-inch bore

HTS® 5 mm Drive Selection Tables



Drive Ratio	Sprocket Combination				Driven Speeds and Horsepower Ratings								
	Driver		Driven		1160 RPM Driver			1750 RPM Driver			3550 RPM Driver		
	No. Teeth	P.D.	No. Teeth	P.D.	Driven Speed	HP for Belt Widths		Driven Speed	HP for Belt Widths		Driven Speed	HP for Belt Widths	
						15	25		15	25		15	25
Multiply hp rating by belt length factor to determine drive width—BELT LENGTH FACTOR →													
1.00	14	.877	14	.877	1160	0.47	...	1750	0.62	...	3550	1.02	...
1.00	16	1.003	16	1.003	1160	0.55	0.99	1750	0.73	1.32	3550	1.19	2.15
1.00	18	1.128	18	1.128	1160	0.63	1.14	1750	0.84	1.52	3550	1.37	2.47
1.00	20	1.253	20	1.253	1160	0.72	1.29	1750	0.95	1.72	3550	1.55	2.80
1.00	24	1.504	24	1.504	1160	0.89	1.61	1750	1.19	2.14	3550	1.92	3.46
1.00	28	1.754	28	1.754	1160	1.07	1.93	1750	1.43	2.57	3550	2.30	4.15
1.00	30	1.880	30	1.880	1160	1.16	2.10	1750	1.55	2.79	3550	2.49	4.49
1.00	32	2.005	32	2.005	1160	1.26	2.27	1750	1.67	3.01	3550	2.68	4.84
1.00	34	2.130	34	2.130	1160	1.35	2.44	1750	1.80	3.24	3550	2.88	5.19
1.00	36	2.256	36	2.256	1160	1.45	2.61	1750	1.92	3.47	3550	3.07	5.54
1.00	38	2.381	38	2.381	1160	1.54	2.79	1750	2.05	3.70	3550	3.27	5.89
1.00	40	2.506	40	2.506	1160	1.64	2.96	1750	2.18	3.93	3550	3.46	6.24
1.00	44	2.757	44	2.757	1160	1.84	3.32	1750	2.44	4.40	3550	3.85	6.94
1.00	48	3.008	48	3.008	1160	2.04	3.68	1750	2.70	4.88	3550	4.24	7.64
1.00	52	3.258	52	3.258	1160	2.25	4.05	1750	2.97	5.36	3550	4.62	8.33
1.00	56	3.509	56	3.509	1160	2.45	4.42	1750	3.24	5.85	3550	5.00	9.02
1.00	60	3.760	60	3.760	1160	2.66	4.80	1750	3.52	6.34	3550	5.37	9.69
1.00	64	4.010	64	4.010	1160	2.88	5.18	1750	3.79	6.83	3550	5.74	10.40
1.00	68	4.261	68	4.261	1160	3.09	5.57	1750	4.07	7.33	3550	6.10	11.00
1.00	72	4.511	72	4.511	1160	3.31	5.96	1750	4.35	7.84	3550	6.45	11.60
1.05	38	2.381	40	2.506	1102	1.54	2.79	1663	2.05	3.70	3373	3.27	5.89
1.06	36	2.256	38	2.381	1099	1.45	2.61	1658	1.92	3.47	3363	3.07	5.54
1.06	34	2.130	36	2.256	1096	1.35	2.44	1653	1.80	3.24	3353	2.88	5.19
1.06	68	4.261	72	4.511	1096	3.09	5.57	1653	4.07	7.33	3353	6.10	11.00
1.06	32	2.005	34	2.130	1092	1.26	2.27	1647	1.67	3.01	3341	2.68	4.84
1.06	64	4.010	68	4.261	1092	2.88	5.18	1647	3.79	6.83	3341	5.74	10.40
1.07	30	1.880	32	2.005	1088	1.16	2.10	1641	1.55	2.79	3328	2.49	4.49
1.07	60	3.760	64	4.010	1088	2.66	4.80	1641	3.52	6.34	3328	5.37	9.69
1.07	28	1.754	30	1.880	1083	1.07	1.93	1633	1.43	2.57	3313	2.30	4.15
1.07	56	3.509	60	3.760	1083	2.45	4.42	1633	3.24	5.85	3313	5.00	9.02
1.08	52	3.258	56	3.509	1077	2.25	4.05	1625	2.97	5.36	3296	4.62	8.33
1.08	48	3.008	52	3.258	1071	2.04	3.68	1615	2.70	4.88	3277	4.24	7.64
1.09	44	2.757	48	3.008	1063	1.84	3.32	1604	2.44	4.40	3254	3.85	6.94
1.10	40	2.506	44	2.757	1055	1.64	2.96	1591	2.18	3.93	3227	3.46	6.24
1.11	18	1.128	20	1.253	1044	0.63	1.14	1575	0.84	1.52	3195	1.37	2.47
1.11	36	2.256	40	2.506	1044	1.45	2.61	1575	1.92	3.47	3195	3.07	5.54
1.11	72	4.511	80	5.013	1044	3.31	5.96	1575	4.35	7.84	3195	6.45	11.60
1.12	34	2.130	38	2.381	1038	1.35	2.44	1566	1.80	3.24	3176	2.88	5.19
1.13	16	1.003	18	1.128	1031	0.55	0.99	1556	0.73	1.32	3156	1.19	2.15
1.13	32	2.005	36	2.256	1031	1.26	2.27	1556	1.67	3.01	3156	2.68	4.84
1.13	64	4.010	72	4.511	1031	2.88	5.18	1556	3.79	6.83	3156	5.74	10.40
1.13	30	1.880	34	2.130	1024	1.16	2.10	1544	1.55	2.79	3132	2.49	4.49
1.13	60	3.760	68	4.261	1024	2.66	4.80	1544	3.52	6.34	3132	5.37	9.69
1.14	14	.877	16	1.003	1015	0.47	...	1531	0.62	...	3106	1.02	...
1.14	28	1.754	32	2.005	1015	1.07	1.93	1531	1.43	2.57	3106	2.30	4.15
1.14	56	3.509	64	4.010	1015	2.45	4.42	1531	3.24	5.85	3106	5.00	9.02
1.15	52	3.258	60	3.760	1005	2.25	4.05	1517	2.97	5.36	3077	4.62	8.33
1.16	38	2.381	44	2.757	1002	1.54	2.79	1511	2.05	3.70	3066	3.27	5.89
1.17	24	1.504	28	1.754	994	0.89	1.61	1500	1.19	2.14	3043	1.92	3.46
1.17	48	3.008	56	3.509	994	2.04	3.68	1500	2.70	4.88	3043	4.24	7.64
Multiply hp rating by belt length factor to determine drive width—BELT LENGTH FACTOR →													



HTS® 5 mm Drive Selection Tables

NOMINAL CENTER DISTANCES																					
BELT LENGTH CODE DESIGNATION																					
350	375	400	425	450	475	500	535	565	600	635	670	710	740	800	850	890	950	1000	1050	1125	1195
.8				.9				1.0				1.1				1.2					
5.5	6.0	6.5	7.0	7.5	8.0	8.5	9.2	9.7	10.4	11.1	11.8	12.6	13.2	14.4	15.4	16.1	17.3	18.3	19.3	20.8	22.1
5.3	5.8	6.3	6.8	7.3	7.8	8.3	9.0	9.5	10.2	10.9	11.6	12.4	13.0	14.2	15.2	15.9	17.1	18.1	19.1	20.6	21.9
5.1	5.6	6.1	6.6	7.1	7.6	8.1	8.8	9.4	10.0	10.7	11.4	12.2	12.8	14.0	15.0	15.7	16.9	17.9	18.9	20.4	21.8
4.9	5.4	5.9	6.4	6.9	7.4	7.9	8.6	9.2	9.8	10.5	11.2	12.0	12.6	13.8	14.8	15.6	16.7	17.7	18.7	20.2	21.6
4.5	5.0	5.5	6.0	6.5	7.0	7.5	8.2	8.8	9.5	10.1	10.8	11.6	12.2	13.4	14.4	15.2	16.3	17.3	18.3	19.8	21.2
4.1	4.6	5.1	5.6	6.1	6.6	7.1	7.8	8.4	9.1	9.7	10.4	11.2	11.8	13.0	14.0	14.8	15.9	16.9	17.9	19.4	20.8
3.9	4.4	4.9	5.4	5.9	6.4	6.9	7.6	8.2	8.9	9.5	10.2	11.0	11.6	12.8	13.8	14.6	15.7	16.7	17.7	19.2	20.6
3.7	4.2	4.7	5.2	5.7	6.2	6.7	7.4	8.0	8.7	9.4	10.0	10.8	11.4	12.6	13.6	14.4	15.6	16.5	17.5	19.0	20.4
3.5	4.0	4.5	5.0	5.5	6.0	6.5	7.2	7.8	8.5	9.2	9.8	10.6	11.2	12.4	13.4	14.2	15.4	16.3	17.3	18.8	20.2
3.3	3.8	4.3	4.8	5.3	5.8	6.3	7.0	7.6	8.3	9.0	9.6	10.4	11.0	12.2	13.2	14.0	15.2	16.1	17.1	18.6	20.0
3.2	3.6	4.1	4.6	5.1	5.6	6.1	6.8	7.4	8.1	8.8	9.5	10.2	10.8	12.0	13.0	13.8	15.0	15.9	16.9	18.4	19.8
3.0	3.4	3.9	4.4	4.9	5.4	5.9	6.6	7.2	7.9	8.6	9.3	10.0	10.6	11.8	12.8	13.6	14.8	15.8	16.7	18.2	19.6
...	...	3.5	4.0	4.5	5.0	5.5	6.2	6.8	7.5	8.2	8.9	9.6	10.2	11.4	12.4	13.2	14.4	15.4	16.3	17.8	19.2
...	3.6	4.1	4.6	5.1	5.8	6.4	7.1	7.8	8.5	9.3	9.8	11.0	12.0	12.8	14.0	15.0	15.9	17.4	18.8
...	3.7	4.2	4.7	5.4	6.0	6.7	7.4	8.1	8.9	9.5	10.6	11.6	12.4	13.6	14.6	15.6	17.0	18.4
...	4.3	5.0	5.6	6.3	7.0	7.7	8.5	9.1	10.2	11.2	12.0	13.2	14.2	15.2	16.6	18.0
...	4.6	5.2	5.9	6.6	7.3	8.1	8.7	9.8	10.8	11.6	12.8	13.8	14.8	16.2	17.6
...	4.8	5.5	6.2	6.9	7.7	8.3	9.5	10.4	11.2	12.4	13.4	14.4	15.8	17.2
...	5.1	5.8	6.5	7.3	7.9	9.1	10.0	10.8	12.0	13.0	14.0	15.5	16.8
...	0.0	5.4	6.1	6.9	7.5	8.7	9.6	10.4	11.6	12.6	13.6	15.1	16.4
3.1	3.5	4.0	4.5	5.0	5.5	6.0	6.7	7.3	8.0	8.7	9.4	10.1	10.7	11.9	12.9	13.7	14.9	15.8	16.8	18.3	19.7
3.2	3.7	4.2	4.7	5.2	5.7	6.2	6.9	7.5	8.2	8.9	9.5	10.3	10.9	12.1	13.1	13.9	15.1	16.0	17.0	18.5	19.9
3.4	3.9	4.4	4.9	5.4	5.9	6.4	7.1	7.7	8.4	9.1	9.7	10.5	11.1	12.3	13.3	14.1	15.3	16.2	17.2	18.7	20.1
...	4.9	5.6	6.3	7.1	7.7	8.9	9.8	10.6	11.8	12.8	13.8	15.3	16.6
3.6	4.1	4.6	5.1	5.6	6.1	6.6	7.3	7.9	8.6	9.3	9.9	10.7	11.3	12.5	13.5	14.3	15.5	16.4	17.4	18.9	20.3
...	4.6	5.3	6.0	6.7	7.5	8.1	9.3	10.2	11.0	12.2	13.2	14.2	15.7	17.0
3.8	4.3	4.8	5.3	5.8	6.3	6.8	7.5	8.1	8.8	9.5	10.1	10.9	11.5	12.7	13.7	14.5	15.7	16.6	17.6	19.1	20.5
...	4.4	5.0	5.7	6.4	7.1	7.9	8.5	9.6	10.6	11.4	12.6	13.6	14.6	16.0	17.4
4.0	4.5	5.0	5.5	6.0	6.5	7.0	7.7	8.3	9.0	9.6	10.3	11.1	11.7	12.9	13.9	14.7	15.8	16.8	17.8	19.3	20.7
...	4.1	4.8	5.4	6.1	6.8	7.5	8.3	8.9	10.0	11.0	11.8	13.0	14.0	15.0	16.4	17.8
...	4.0	4.5	5.2	5.8	6.5	7.2	7.9	8.7	9.3	10.4	11.4	12.2	13.4	14.4	15.4	16.8	18.2
...	3.9	4.4	4.9	5.6	6.2	6.9	7.6	8.3	9.1	9.6	10.8	11.8	12.6	13.8	14.8	15.7	17.2	18.6
...	...	3.3	3.8	4.3	4.8	5.3	6.0	6.6	7.3	8.0	8.7	9.5	10.0	11.2	12.2	13.0	14.2	15.2	16.1	17.6	19.0
...	3.2	3.7	4.2	4.7	5.2	5.7	6.4	7.0	7.7	8.4	9.1	9.8	10.4	11.6	12.6	13.4	14.6	15.6	16.5	18.0	19.4
5.0	5.5	6.0	6.5	7.0	7.5	8.0	8.7	9.3	9.9	10.6	11.3	12.1	12.7	13.9	14.9	15.7	16.8	17.8	18.8	20.3	21.7
3.1	3.6	4.1	4.6	5.1	5.6	6.1	6.8	7.4	8.1	8.8	9.4	10.2	10.8	12.0	13.0	13.8	15.0	15.9	16.9	18.4	19.8
...	5.7	6.5	7.1	8.3	9.3	10.0	11.2	12.2	13.2	14.7	16.0
3.3	3.8	4.3	4.8	5.3	5.8	6.3	7.0	7.6	8.3	9.0	9.6	10.4	11.0	12.2	13.2	14.0	15.2	16.1	17.1	18.6	20.0
5.2	5.7	6.2	6.7	7.2	7.7	8.2	8.9	9.4	10.1	10.8	11.5	12.3	12.9	14.1	15.1	15.8	17.0	18.0	19.0	20.5	21.9
3.5	4.0	4.5	5.0	5.5	6.0	6.5	7.2	7.8	8.5	9.2	9.8	10.6	11.2	12.4	13.4	14.2	15.4	16.3	17.3	18.8	20.2
...	5.1	5.8	6.5	7.3	7.9	9.1	10.0	10.8	12.0	13.0	14.0	15.5	16.8
3.7	4.2	4.7	5.2	5.7	6.2	6.7	7.4	8.0	8.7	9.4	10.0	10.8	11.4	12.6	13.6	14.4	15.6	16.5	17.5	19.0	20.4
...	4.8	5.5	6.2	6.9	7.7	8.3	9.4	10.4	11.2	12.4	13.4	14.4	15.8	17.2
5.4	5.9	6.4	6.9	7.4	7.9	8.4	9.1	9.6	10.3	11.0	11.7	12.5	13.1	14.3	15.3	16.0	17.2	18.2	19.2	20.7	22.0
3.9	4.4	4.9	5.4	5.9	6.4	6.9	7.6	8.2	8.9	9.5	10.2	11.0	11.6	12.8	13.8	14.6	15.7	16.7	17.7	19.2	20.6
...	4.6	5.2	5.9	6.6	7.3	8.1	8.7	9.8	10.8	11.6	12.8	13.8	14.8	16.2	17.6
...	4.3	5.0	5.6	6.3	7.0	7.7	8.5	9.1	10.2	11.2	12.0	13.2	14.2	15.2	16.6	18.0
...	3.3	3.8	4.3	4.8	5.3	5.8	6.5	7.1	7.8	8.5	9.2	9.9	10.5	11.7	12.7	13.5	14.7	15.7	16.6	18.1	19.5
4.3	4.8	5.3	5.8	6.3	6.8	7.3	8.0	8.6	9.3	9.9	10.6	11.4	12.0	13.2	14.2	15.0	16.1	17.1	18.1	19.6	21.0
...	3.7	4.2	4.7	5.4	6.0	6.7	7.4	8.1	8.9	9.4	10.6	11.6	12.4	13.6	14.6	15.6	17.0	18.4
.8				.9				1.0				1.1				1.2					

PULLEYS

HTS[®] 5 mm Drive Selection Tables



Drive Ratio	Sprocket Combination				Driven Speeds and Horsepower Ratings								
	Driver		Driven		1160 RPM Driver			1750 RPM Driver			3550 RPM Driver		
	No. Teeth	P.D.	No. Teeth	P.D.	Driven Speed	HP for Belt Widths		Driven Speed	HP for Belt Widths		Driven Speed	HP for Belt Widths	
					15	25		15	25		15	25	
Multiply hp rating by belt length factor to determine drive width—BELT LENGTH FACTOR →													
1.18	34	2.130	40	2.506	986	1.35	2.44	1488	1.80	3.24	3018	2.88	5.19
1.18	68	4.261	80	5.013	986	3.09	5.57	1488	4.07	7.33	3018	6.10	11.0
1.18	44	2.757	52	3.258	982	1.84	3.32	1481	2.44	4.40	3004	3.85	6.94
1.19	32	2.005	38	2.381	977	1.26	2.27	1474	1.67	3.01	2989	2.68	4.84
1.20	20	1.253	24	1.504	967	0.72	1.29	1458	0.95	1.72	2958	1.55	2.80
1.20	30	1.880	36	2.256	967	1.16	2.10	1458	1.55	2.79	2958	2.49	4.49
1.20	40	2.506	48	3.008	967	1.64	2.96	1458	2.18	3.93	2958	3.46	6.24
1.20	60	3.760	72	4.511	967	2.66	4.80	1458	3.52	6.34	2958	5.37	9.69
1.21	28	1.754	34	2.130	955	1.07	1.93	1441	1.43	2.57	2924	2.30	4.15
1.21	56	3.509	68	4.261	955	2.45	4.42	1441	3.24	5.85	2924	5.00	9.02
1.22	36	2.256	44	2.757	949	1.45	2.61	1432	1.92	3.47	2905	3.07	5.54
1.23	52	3.258	64	4.010	943	2.25	4.05	1422	2.97	5.36	2884	4.62	8.33
1.25	16	1.003	20	1.253	928	0.55	0.99	1400	0.73	1.32	2840	1.19	2.15
1.25	24	1.504	30	1.880	928	0.89	1.61	1400	1.19	2.14	2840	1.92	3.46
1.25	32	2.005	40	2.506	928	1.26	2.27	1400	1.67	3.01	2840	2.68	4.84
1.25	48	3.008	60	3.700	928	2.04	3.68	1400	2.70	4.88	2840	4.24	7.64
1.25	64	4.010	80	5.013	928	2.88	5.18	1400	3.79	6.83	2840	5.74	10.4
1.25	72	4.511	90	5.639	928	3.31	5.96	1400	4.35	7.84	2840	6.45	11.6
1.26	38	2.381	48	3.008	918	1.54	2.79	1385	2.05	3.70	2810	3.27	5.89
1.27	30	1.880	38	2.381	916	1.16	2.10	1382	1.55	2.79	2803	2.49	4.49
1.27	44	2.757	56	3.509	911	1.84	3.32	1375	2.44	4.40	2789	3.85	6.94
1.29	14	.877	18	1.128	902	0.47	...	1361	0.62	...	2761	1.02	...
1.29	28	1.754	36	2.256	902	1.07	1.93	1361	1.43	2.57	2761	2.30	4.15
1.29	56	3.509	72	4.511	902	2.45	4.42	1361	3.24	5.85	2761	5.00	9.02
1.29	34	2.130	44	2.757	896	1.35	2.44	1352	1.80	3.24	2743	2.88	5.19
1.30	40	2.506	52	3.258	892	1.64	2.96	1346	2.18	3.93	2731	3.46	6.24
1.31	52	3.258	68	4.261	887	2.25	4.05	1338	2.97	5.36	2715	4.62	8.33
1.32	68	4.261	90	5.639	876	3.09	5.57	1322	4.07	7.33	2682	6.10	11.0
1.33	18	1.128	24	1.504	870	0.63	1.14	1313	0.84	1.52	2663	1.37	2.47
1.33	24	1.504	32	2.005	870	0.89	1.61	1313	1.19	2.14	2663	1.92	3.46
1.33	30	1.880	40	2.506	870	1.16	2.10	1313	1.55	2.79	2663	2.49	4.49
1.33	36	2.256	48	3.008	870	1.45	2.61	1313	1.92	3.47	2663	3.07	5.54
1.33	48	3.008	64	4.010	870	2.04	3.68	1313	2.70	4.88	2663	4.24	7.64
1.33	60	3.760	80	5.013	870	2.66	4.80	1313	3.52	6.34	2663	5.37	9.69
1.36	28	1.754	38	2.381	855	1.07	1.93	1289	1.43	2.57	2616	2.30	4.15
1.36	44	2.757	60	3.760	851	1.84	3.32	1283	2.44	4.40	2603	3.85	6.94
1.37	38	2.381	52	3.258	848	1.54	2.79	1279	2.05	3.70	2594	3.27	5.89
1.38	32	2.005	44	2.757	844	1.26	2.27	1273	1.67	3.01	2582	2.68	4.84
1.38	52	3.258	72	4.511	838	2.25	4.05	1264	2.97	5.36	2564	4.62	8.33
1.40	20	1.253	28	1.754	829	0.72	1.29	1250	0.95	1.72	2536	1.55	2.80
1.40	40	2.506	56	3.509	829	1.64	2.96	1250	2.18	3.93	2536	3.46	6.24
1.41	64	4.010	90	5.639	825	2.88	5.18	1244	3.79	6.83	2524	5.74	10.4
1.41	34	2.130	48	3.008	822	1.35	2.44	1240	1.80	3.24	2515	2.88	5.19
1.42	24	1.504	34	2.130	819	0.89	1.61	1235	1.19	2.14	2506	1.92	3.46
1.42	48	3.008	68	4.261	819	2.04	3.68	1235	2.70	4.88	2506	4.24	7.64
1.43	14	.877	20	1.253	812	0.47	...	1225	0.62	...	2485	1.02	...
1.43	28	1.754	40	2.506	812	1.07	1.93	1225	1.43	2.57	2485	2.30	4.15
1.43	56	3.509	80	5.013	812	2.45	4.42	1225	3.24	5.85	2485	5.00	9.02
1.44	36	2.256	52	3.258	803	1.45	2.61	1212	1.92	3.47	2458	3.07	5.54
1.45	44	2.757	64	4.010	798	1.84	3.32	1203	2.44	4.40	2441	3.85	6.94
Multiply hp rating by belt length factor to determine drive width—BELT LENGTH FACTOR →													

PULLEYS



HTS® 5 mm Drive Selection Tables

NOMINAL CENTER DISTANCES																					
BELT LENGTH CODE DESIGNATION																					
350	375	400	425	450	475	500	535	565	600	635	670	710	740	800	850	890	950	1000	1050	1125	1195
.8				.9				1.0						1.1					1.2		
3.2	3.7	4.2	4.7	5.2	5.7	6.2	6.9	7.5	8.2	8.9	9.5	10.3	10.9	12.1	13.1	13.9	15.1	16.0	17.0	18.5	19.9
...	5.2	5.9	6.7	7.3	8.5	9.4	10.2	11.4	12.4	13.4	14.9	16.2
...	3.6	4.1	4.6	5.1	5.8	6.4	7.1	7.8	8.5	9.3	9.8	11.0	12.0	12.8	14.0	15.0	15.9	17.4	18.8
3.4	3.9	4.4	4.9	5.4	5.9	6.4	7.1	7.7	8.4	9.1	9.7	10.5	11.1	12.3	13.3	14.1	15.3	16.2	17.2	18.7	20.1
4.7	5.2	5.7	6.2	6.7	7.2	7.7	8.4	9.0	9.6	10.3	11.0	11.8	12.4	13.6	14.6	15.4	16.5	17.5	18.5	20.0	21.4
3.6	4.1	4.6	5.1	5.6	6.1	6.6	7.3	7.9	8.6	9.3	9.9	10.7	11.3	12.5	13.5	14.3	15.5	16.4	17.4	18.9	20.3
...	...	3.5	4.0	4.5	5.0	5.5	6.2	6.8	7.5	8.2	8.9	9.6	10.2	11.4	12.4	13.2	14.4	15.4	16.3	17.8	19.2
...	4.6	5.3	6.0	6.7	7.5	8.1	9.2	10.2	11.0	12.2	13.2	14.2	15.6	17.0
3.8	4.3	4.8	5.3	5.8	6.3	6.8	7.5	8.1	8.8	9.4	10.1	10.9	11.5	12.7	13.7	14.5	15.6	16.6	17.6	19.1	20.5
...	4.4	5.0	5.7	6.4	7.1	7.9	8.5	9.6	10.6	11.4	12.6	13.6	14.6	16.0	17.4
2.9	3.4	3.9	4.4	4.9	5.4	5.9	6.6	7.2	7.9	8.6	9.3	10.0	10.6	11.8	12.8	13.6	14.8	15.7	16.7	18.2	19.6
...	4.1	4.8	5.4	6.1	6.8	7.5	8.3	8.9	10.0	11.0	11.8	13.0	14.0	15.0	16.4	17.8
5.1	5.6	6.1	6.6	7.1	7.6	8.1	8.8	9.4	10.0	10.7	11.4	12.2	12.8	14.0	15.0	15.7	16.9	17.9	18.9	20.4	21.8
4.2	4.7	5.2	5.7	6.2	6.7	7.2	7.9	8.5	9.2	9.8	10.5	11.3	11.9	13.1	14.1	14.9	16.0	17.0	18.0	19.5	20.9
3.3	3.8	4.3	4.8	5.3	5.8	6.3	7.0	7.6	8.3	9.0	9.6	10.4	11.0	12.2	13.2	14.0	15.2	16.1	17.1	18.6	20.0
...	4.0	4.5	5.2	5.8	6.5	7.2	7.9	8.7	9.2	10.4	11.4	12.2	13.4	14.4	15.4	16.8	18.2
...	5.4	6.1	6.9	7.5	8.6	9.6	10.4	11.6	12.6	13.6	15.1	16.4
...	6.0	6.6	7.8	8.7	9.5	10.7	11.7	12.7	14.2	15.5
...	3.1	3.6	4.1	4.6	5.1	5.6	6.3	6.9	7.6	8.3	9.0	9.7	10.3	11.5	12.5	13.3	14.5	15.5	16.4	17.9	19.3
3.5	4.0	4.5	5.0	5.5	6.0	6.5	7.2	7.8	8.5	9.2	9.8	10.6	11.2	12.4	13.4	14.2	15.4	16.3	17.3	18.8	20.2
...	3.9	4.4	4.9	5.6	6.2	6.9	7.6	8.3	9.0	9.6	10.8	11.8	12.6	13.8	14.8	15.7	17.2	18.6
5.3	5.8	6.3	6.8	7.3	7.8	8.3	9.0	9.5	10.2	10.9	11.6	12.4	13.0	14.2	15.2	15.9	17.1	18.1	19.1	20.6	21.9
3.7	4.2	4.7	5.2	5.7	6.2	6.7	7.4	8.0	8.7	9.3	10.0	10.8	11.4	12.6	13.6	14.4	15.6	16.5	17.5	19.0	20.4
...	4.8	5.5	6.2	6.9	7.7	8.3	9.4	10.4	11.2	12.4	13.4	14.4	15.8	17.2
3.0	3.5	4.0	4.5	5.0	5.5	6.0	6.7	7.3	8.0	8.7	9.3	10.1	10.7	11.9	12.9	13.7	14.9	15.8	16.8	18.3	19.7
...	...	3.3	3.8	4.3	4.8	5.3	6.0	6.6	7.3	8.0	8.7	9.4	10.0	11.2	12.2	13.0	14.2	15.2	16.1	17.6	19.0
...	4.6	5.2	5.9	6.6	7.3	8.1	8.6	9.8	10.8	11.6	12.8	13.8	14.8	16.2	17.6
...	5.4	6.2	6.8	7.9	8.9	9.7	10.9	11.9	12.9	14.4	15.7
4.8	5.3	5.8	6.3	6.8	7.3	7.8	8.5	9.1	9.7	10.4	11.1	11.9	12.5	13.7	14.7	15.5	16.6	17.6	18.6	20.1	21.5
4.1	4.6	5.1	5.6	6.1	6.6	7.1	7.8	8.4	9.1	9.7	10.4	11.2	11.8	13.0	14.0	14.8	15.9	16.9	17.9	19.4	20.8
3.4	3.9	4.4	4.9	5.4	5.9	6.4	7.1	7.7	8.4	9.1	9.7	10.5	11.1	12.3	13.3	14.1	15.3	16.2	17.2	18.7	20.1
...	3.2	3.7	4.2	4.7	5.2	5.7	6.4	7.0	7.7	8.4	9.0	9.8	10.4	11.6	12.6	13.4	14.6	15.5	16.5	18.0	19.4
...	4.3	5.0	5.6	6.3	7.0	7.7	8.5	9.0	10.2	11.2	12.0	13.2	14.2	15.2	16.6	18.0
...	4.9	5.6	6.3	7.1	7.7	8.8	9.8	10.6	11.8	12.8	13.8	15.2	16.6
3.6	4.1	4.6	5.1	5.6	6.1	6.6	7.3	7.9	8.6	9.2	9.9	10.7	11.3	12.5	13.5	14.3	15.5	16.4	17.4	18.9	20.3
...	3.7	4.2	4.7	5.4	6.0	6.7	7.4	8.1	8.8	9.4	10.6	11.6	12.4	13.6	14.6	15.5	17.0	18.4
...	...	3.4	3.9	4.4	4.9	5.4	6.1	6.7	7.4	8.1	8.8	9.5	10.1	11.3	12.3	13.1	14.3	15.3	16.2	17.7	19.1
3.1	3.6	4.1	4.6	5.1	5.6	6.1	6.8	7.4	8.1	8.8	9.4	10.2	10.8	12.0	13.0	13.8	15.0	15.9	16.9	18.4	19.8
...	4.4	5.0	5.7	6.4	7.1	7.8	8.4	9.6	10.6	11.4	12.6	13.6	14.6	16.0	17.4
4.5	5.0	5.5	6.0	6.5	7.0	7.5	8.2	8.8	9.4	10.1	10.8	11.6	12.2	13.4	14.4	15.2	16.3	17.3	18.3	19.8	21.2
...	3.6	4.1	4.6	5.1	5.8	6.4	7.1	7.8	8.5	9.2	9.8	11.0	12.0	12.8	14.0	15.0	15.9	17.4	18.8
...	5.5	6.3	6.9	8.1	9.1	9.9	11.1	12.1	13.1	14.5	15.9
...	3.3	3.8	4.3	4.8	5.3	5.8	6.5	7.1	7.8	8.5	9.1	9.9	10.5	11.7	12.7	13.5	14.7	15.6	16.6	18.1	19.5
4.0	4.5	5.0	5.5	6.0	6.5	7.0	7.7	8.3	9.0	9.6	10.3	11.1	11.7	12.9	13.9	14.7	15.8	16.8	17.8	19.3	20.7
...	4.1	4.8	5.4	6.1	6.8	7.5	8.2	8.8	10.0	11.0	11.8	13.0	14.0	14.9	16.4	17.8
5.2	5.7	6.2	6.7	7.2	7.7	8.2	8.9	9.4	10.1	10.8	11.5	12.3	12.9	14.1	15.1	15.8	17.0	18.0	19.0	20.5	21.9
3.5	4.0	4.5	5.0	5.5	6.0	6.5	7.2	7.8	8.5	9.1	9.8	10.6	11.2	12.4	13.4	14.2	15.4	16.3	17.3	18.8	20.2
...	5.1	5.8	6.5	7.2	7.8	9.0	10.0	10.8	12.0	13.0	14.0	15.4	16.8
...	...	3.5	4.0	4.5	5.0	5.5	6.2	6.8	7.5	8.2	8.8	9.6	10.2	11.4	12.4	13.2	14.4	15.3	16.3	17.8	19.2
...	4.0	4.5	5.2	5.8	6.5	7.2	7.8	8.6	9.2	10.4	11.4	12.2	13.4	14.4	15.3	16.8	18.2
.8				.9				1.0						1.1					1.2		

PULLEYS

HTS® 5 mm Drive Selection Tables



Drive Ratio	Sprocket Combination				Driven Speeds and Horsepower Ratings								
	Driver		Driven		1160 RPM Driver			1750 RPM Driver			3550 RPM Driver		
	No. Teeth	P.D.	No. Teeth	P.D.	Driven Speed	HP for Belt Widths		Driven Speed	HP for Belt Widths		Driven Speed	HP for Belt Widths	
					15	25		15	25		15	25	
Multiply hp rating by belt length factor to determine drive width—BELT LENGTH FACTOR →													
1.47	30	1.880	44	2.757	791	1.16	2.10	1193	1.55	2.79	2420	2.49	4.49
1.47	38	2.381	56	3.509	787	1.54	2.79	1188	2.05	3.70	2409	3.27	5.89
1.50	16	1.003	24	1.504	773	0.55	0.99	1167	0.73	1.32	2367	1.19	2.15
1.50	20	1.253	30	1.880	773	0.72	1.29	1167	0.95	1.72	2367	1.55	2.80
1.50	24	1.504	36	2.256	773	0.89	1.61	1167	1.19	2.14	2367	1.92	3.46
1.50	32	2.005	48	3.008	773	1.26	2.27	1167	1.67	3.01	2367	2.68	4.84
1.50	40	2.506	60	3.760	773	1.64	2.96	1167	2.18	3.93	2367	3.46	6.24
1.50	48	3.008	72	4.511	773	2.04	3.68	1167	2.70	4.88	2367	4.24	7.64
1.50	60	3.760	90	5.639	773	2.66	4.80	1167	3.52	6.34	2367	5.37	9.69
1.53	34	2.130	52	3.258	758	1.35	2.44	1144	1.80	3.24	2321	2.88	5.19
1.54	52	3.258	80	5.013	754	2.25	4.05	1138	2.97	5.36	2308	4.62	8.33
1.55	44	2.757	68	4.261	751	1.84	3.32	1132	2.44	4.40	2297	3.85	6.94
1.56	18	1.128	28	1.754	746	0.63	1.14	1125	0.84	1.52	2282	1.37	2.47
1.56	36	2.256	56	3.509	746	1.45	2.61	1125	1.92	3.47	2282	3.07	5.54
1.56	72	4.511	112	7.018	746	3.31	5.96	1125	4.35	7.84	2282	6.45	11.6
1.57	28	1.754	44	2.757	738	1.07	1.93	1114	1.43	2.57	2259	2.30	4.15
1.58	38	2.381	60	3.760	735	1.54	2.79	1108	2.05	3.70	2248	3.27	5.89
1.58	24	1.504	38	2.381	733	0.89	1.61	1105	1.19	2.14	2242	1.92	3.46
1.60	20	1.253	32	2.005	725	0.72	1.29	1094	0.95	1.72	2219	1.55	2.80
1.60	30	1.880	48	3.008	725	1.16	2.10	1094	1.55	2.79	2219	2.49	4.49
1.60	40	2.506	64	4.010	725	1.64	2.96	1094	2.18	3.93	2219	3.46	6.24
1.61	56	3.509	90	5.639	722	2.45	4.42	1089	3.24	5.85	2209	5.00	9.02
1.63	32	1.003	52	1.629	714	1.26	2.27	1077	1.67	3.01	2185	2.68	4.84
1.64	44	2.757	72	4.511	709	1.84	3.32	1069	2.44	4.40	2169	3.85	6.94
1.65	34	2.130	56	3.509	704	1.35	2.44	1063	1.80	3.24	2155	2.88	5.19
1.65	68	4.261	112	7.018	704	3.09	5.57	1063	4.07	7.33	2155	6.10	11.0
1.67	18	1.128	30	1.880	696	0.63	1.14	1050	0.84	1.52	2130	1.37	2.47
1.67	24	1.504	40	2.506	696	0.89	1.61	1050	1.19	2.14	2130	1.92	3.46
1.67	36	2.256	60	3.760	696	1.45	2.61	1050	1.92	3.47	2130	3.07	5.54
1.67	48	3.008	80	5.013	696	2.04	3.68	1050	2.70	4.88	2130	4.24	7.64
1.68	38	2.381	64	4.010	689	1.54	2.79	1039	2.05	3.70	2108	3.27	5.89
1.70	20	1.253	34	2.130	682	0.72	1.29	1029	0.95	1.72	2088	1.55	2.80
1.70	40	2.506	68	4.261	682	1.64	2.96	1029	2.18	3.93	2088	3.46	6.24
1.71	14	.877	24	1.504	677	0.47	...	1021	0.62	...	2071	1.02	...
1.71	28	1.754	48	3.008	677	1.07	1.93	1021	1.43	2.57	2071	2.30	4.15
1.73	52	3.258	90	5.639	670	2.25	4.05	1011	2.97	5.36	2051	4.62	8.33
1.73	30	1.880	52	3.258	669	1.16	2.10	1010	1.55	2.79	2048	2.49	4.49
1.75	16	1.003	28	1.754	663	0.55	0.99	1000	0.73	1.32	2029	1.19	2.15
1.75	32	2.005	56	3.509	663	1.26	2.27	1000	1.67	3.01	2029	2.68	4.84
1.75	64	4.010	112	7.018	663	2.88	5.18	1000	3.79	6.83	2029	5.74	10.4
1.76	34	2.130	60	3.760	657	1.35	2.44	992	1.80	3.24	2012	2.88	5.19
1.78	18	1.128	32	2.005	653	0.63	1.14	984	0.84	1.52	1997	1.37	2.47
1.78	36	2.256	64	4.010	653	1.45	2.61	984	1.92	3.47	1997	3.07	5.54
1.79	38	2.381	68	4.261	648	1.54	2.79	978	2.05	3.70	1984	3.27	5.89
1.80	20	1.253	36	2.256	644	0.72	1.29	972	0.95	1.72	1972	1.55	2.80
1.80	40	2.506	72	4.511	644	1.64	2.96	972	2.18	3.93	1972	3.46	6.24
1.82	44	2.757	80	5.013	638	1.84	3.32	963	2.44	4.40	1953	3.85	6.94
1.83	24	1.504	44	2.757	633	0.89	1.61	955	1.19	2.14	1936	1.92	3.46
1.86	28	1.754	52	3.258	625	1.07	1.93	942	1.43	2.57	1912	2.30	4.15
1.87	30	1.880	56	3.509	621	1.16	2.10	938	1.55	2.79	1902	2.49	4.49
Multiply hp rating by belt length factor to determine drive width—BELT LENGTH FACTOR →													

PULLEYS



HTS® 5 mm Drive Selection Tables

NOMINAL CENTER DISTANCES																					
BELT LENGTH CODE DESIGNATION																					
350	375	400	425	450	475	500	535	565	600	635	670	710	740	800	850	890	950	1000	1050	1125	1195
.8				.9				1.0				1.1				1.2					
3.2	3.7	4.2	4.7	5.2	5.7	6.2	6.9	7.5	8.2	8.8	9.5	10.3	10.9	12.1	13.1	13.9	15.1	16.0	17.0	18.5	19.9
...	3.7	4.2	4.7	5.2	5.9	6.5	7.2	7.9	8.5	9.3	9.9	11.1	12.1	12.9	14.1	15.0	16.0	17.5	18.9
4.9	5.4	5.9	6.4	6.9	7.4	7.9	8.6	9.2	9.8	10.5	11.2	12.0	12.6	13.8	14.8	15.5	16.7	17.7	18.7	20.2	21.6
4.4	4.9	5.4	5.9	6.4	6.9	7.4	8.1	8.7	9.3	10.0	10.7	11.5	12.1	13.3	14.3	15.1	16.2	17.2	18.2	19.7	21.1
3.9	4.4	4.9	5.4	5.9	6.4	6.9	7.6	8.2	8.9	9.5	10.2	11.0	11.6	12.8	13.8	14.6	15.7	16.7	17.7	19.2	20.6
2.9	3.4	3.9	4.4	4.9	5.4	5.9	6.6	7.2	7.9	8.5	9.2	10.0	10.6	11.8	12.8	13.6	14.8	15.7	16.7	18.2	19.6
...	3.9	4.4	4.9	5.6	6.2	6.9	7.6	8.2	9.0	9.6	10.8	11.8	12.6	13.8	14.8	15.7	17.2	18.6
...	4.6	5.2	5.9	6.6	7.2	8.0	8.6	9.8	10.8	11.6	12.8	13.8	14.7	16.2	17.6
...	5.7	6.5	7.1	8.3	9.3	10.1	11.3	12.3	13.3	14.7	16.1
...	3.1	3.6	4.1	4.6	5.1	5.6	6.3	6.9	7.6	8.2	8.9	9.7	10.3	11.5	12.5	13.3	14.5	15.4	16.4	17.9	19.3
...	4.5	5.2	5.9	6.6	7.4	8.0	9.2	10.2	11.0	12.2	13.2	14.1	15.6	17.0
...	4.3	5.0	5.6	6.3	6.9	7.6	8.4	9.0	10.2	11.2	12.0	13.2	14.2	15.1	16.6	18.0
4.6	5.1	5.6	6.1	6.6	7.1	7.6	8.3	8.9	9.5	10.2	10.9	11.7	12.3	13.5	14.5	15.3	16.4	17.4	18.4	19.9	21.3
...	...	3.3	3.8	4.3	4.8	5.3	6.0	6.6	7.3	7.9	8.6	9.4	10.0	11.2	12.2	13.0	14.2	15.1	16.1	17.6	19.0
...	6.6	7.6	8.4	9.6	10.6	11.5	13.0	14.4
3.3	3.8	4.3	4.8	5.3	5.8	6.3	7.0	7.6	8.3	8.9	9.6	10.4	11.0	12.2	13.2	14.0	15.2	16.1	17.1	18.6	20.0
...	3.5	4.0	4.5	5.0	5.7	6.3	7.0	7.6	8.3	9.1	9.7	10.9	11.9	12.7	13.9	14.8	15.8	17.3	18.7
3.8	4.3	4.8	5.3	5.8	6.3	6.8	7.5	8.1	8.7	9.4	10.1	10.9	11.5	12.7	13.7	14.5	15.6	16.6	17.6	19.1	20.5
4.3	4.8	5.3	5.8	6.3	6.8	7.3	8.0	8.6	9.2	9.9	10.6	11.4	12.0	13.2	14.2	15.0	16.1	17.1	18.1	19.6	21.0
3.0	3.5	4.0	4.5	5.0	5.5	6.0	6.7	7.3	8.0	8.6	9.3	10.1	10.7	11.9	12.9	13.7	14.9	15.8	16.8	18.3	19.7
...	3.7	4.2	4.7	5.4	6.0	6.6	7.3	8.0	8.8	9.4	10.6	11.6	12.4	13.6	14.5	15.5	17.0	18.4
...	5.2	5.9	6.7	7.3	8.5	9.5	10.3	11.5	12.5	13.4	14.9	16.3
...	3.2	3.7	4.2	4.7	5.2	5.7	6.4	7.0	7.7	8.3	9.0	9.8	10.4	11.6	12.6	13.4	14.6	15.5	16.5	18.0	19.4
...	4.0	4.7	5.3	6.0	6.7	7.4	8.2	8.8	10.0	11.0	11.8	13.0	13.9	14.9	16.4	17.8
...	...	3.4	3.9	4.4	4.9	5.4	6.1	6.7	7.3	8.0	8.7	9.5	10.1	11.3	12.3	13.1	14.3	15.2	16.2	17.7	19.1
...	6.7	7.7	8.5	9.7	10.7	11.7	13.2	14.6
4.5	5.0	5.5	6.0	6.5	7.0	7.5	8.2	8.8	9.4	10.1	10.8	11.6	12.2	13.4	14.4	15.2	16.3	17.3	18.3	19.8	21.2
3.7	4.2	4.7	5.2	5.7	6.2	6.7	7.4	8.0	8.6	9.3	10.0	10.8	11.4	12.6	13.6	14.4	15.5	16.5	17.5	19.0	20.4
...	3.6	4.1	4.6	5.1	5.8	6.4	7.0	7.7	8.4	9.2	9.8	11.0	12.0	12.8	14.0	14.9	15.9	17.4	18.8
...	4.7	5.4	6.1	6.8	7.6	8.2	9.4	10.4	11.2	12.4	13.3	14.3	15.8	17.2
...	3.7	4.2	4.8	5.4	6.0	6.7	7.4	8.1	8.9	9.5	10.7	11.7	12.5	13.7	14.6	15.6	17.1	18.5
4.2	4.7	5.2	5.7	6.2	6.7	7.2	7.9	8.5	9.1	9.8	10.5	11.3	11.9	13.1	14.1	14.9	16.0	17.0	18.0	19.5	20.9
...	3.9	4.4	5.1	5.7	6.4	7.1	7.8	8.6	9.2	10.4	11.4	12.2	13.4	14.3	15.3	16.8	18.2
5.0	5.5	6.0	6.5	7.0	7.5	8.0	8.7	9.2	9.9	10.6	11.3	12.1	12.7	13.9	14.9	15.6	16.8	17.8	18.8	20.3	21.7
3.1	3.6	4.1	4.6	5.1	5.6	6.1	6.8	7.4	8.0	8.7	9.4	10.2	10.8	12.0	13.0	13.8	14.8	15.9	16.9	18.4	19.8
...	5.4	6.1	6.9	7.5	8.7	9.7	10.5	11.7	12.6	13.6	15.1	16.5
...	3.3	3.8	4.3	4.8	5.3	5.8	6.5	7.1	7.7	8.4	9.1	9.9	10.0	11.7	12.7	13.5	14.6	15.6	16.6	18.1	19.5
4.7	5.2	5.7	6.2	6.7	7.2	7.7	8.4	8.9	9.6	10.3	11.0	11.8	5	13.6	14.6	15.4	16.5	17.5	18.5	20.0	21.4
...	...	3.5	4.0	4.5	5.0	5.5	6.2	6.7	7.4	8.1	8.8	9.6	12.4	11.4	12.4	13.2	14.4	15.3	16.3	17.8	19.2
...	10.2	6.9	7.9	8.7	9.9	10.9	11.9	13.4	14.8
...	3.6	4.1	4.7	5.1	5.8	6.4	7.1	7.8	8.5	9.3	...	11.1	12.1	12.9	14.1	15.0	16.0	17.5	18.9
4.4	4.9	5.4	5.9	6.4	6.9	7.4	8.1	8.7	9.3	10.0	10.7	11.5	9.9	13.3	14.3	15.1	16.2	17.2	18.2	19.7	21.1
...	3.8	4.3	4.8	5.5	6.1	6.8	7.5	8.2	9.0	12.1	10.8	11.8	12.6	13.8	14.7	15.7	17.2	18.6
...	4.0	4.5	5.2	5.8	6.5	7.2	7.9	8.7	9.6	10.5	11.5	12.3	13.5	14.4	15.4	16.9	18.3
4.1	4.6	5.1	5.6	6.1	6.6	7.1	7.8	8.4	9.0	9.7	10.4	11.2	9.3	13.0	14.0	14.8	15.9	16.9	17.9	19.4	20.8
...	4.2	4.9	5.5	6.2	6.9	7.6	8.4	11.8	10.2	11.2	12.0	13.2	14.1	15.1	16.6	18.0
...	4.3	4.9	5.6	6.3	7.0	7.8	9.0	9.6	10.6	11.4	12.5	13.5	14.5	16.0	17.4
3.5	4.0	4.5	5.0	5.5	6.0	6.5	7.2	7.7	8.4	9.1	9.8	10.6	8.4	12.4	13.4	14.2	15.3	16.3	17.3	18.8	20.2
...	3.4	3.9	4.4	4.9	5.4	5.9	6.5	7.1	7.8	8.5	9.2	10.0	11.2	11.8	12.8	13.6	14.7	15.7	16.7	18.2	19.6
...	...	3.5	4.0	4.5	5.0	5.5	6.2	6.8	7.5	8.2	8.9	9.7	10.6	11.5	12.5	13.3	14.4	15.4	16.4	17.9	19.3
.8				.9				1.0				1.1				1.2					

PULLEYS

HTS® 5 mm Drive Selection Tables



Drive Ratio	Sprocket Combination				Driven Speeds and Horsepower Ratings								
	Driver		Driven		1160 RPM Driver			1750 RPM Driver			3550 RPM Driver		
	No. Teeth	P.D.	No. Teeth	P.D.	Driven Speed	HP for Belt Widths		Driven Speed	HP for Belt Widths		Driven Speed	HP for Belt Widths	
					15	25		15	25		15	25	
Multiply hp rating by belt length factor to determine drive width—BELT LENGTH FACTOR →													
1.87	60	3.760	112	7.018	621	2.66	4.80	938	3.52	6.34	1902	5.37	9.69
1.88	16	1.003	30	1.880	619	0.55	0.99	933	0.73	1.32	1893	1.19	2.15
1.88	32	2.005	60	3.760	619	1.26	2.27	933	1.67	3.01	1893	2.68	4.84
1.88	48	3.008	90	5.639	619	2.04	3.68	933	2.70	4.88	1893	4.24	7.64
1.88	34	2.130	64	4.010	616	1.35	2.44	930	1.80	3.24	1886	2.88	5.19
1.89	18	1.128	34	2.130	614	0.63	1.14	926	0.84	1.52	1879	1.37	2.47
1.89	36	2.256	68	4.261	614	1.45	2.61	926	1.92	3.47	1879	3.07	5.54
1.89	38	2.381	72	4.511	612	1.54	2.79	924	2.05	3.70	1874	3.27	5.89
1.90	20	1.253	38	2.381	611	0.72	1.29	921	0.95	1.72	1868	1.55	2.80
2.00	14	0.877	28	1.754	580	0.47	...	875	0.62	...	1775	1.02	...
2.00	16	1.003	32	2.005	580	0.55	0.99	875	0.73	1.32	1775	1.19	2.15
2.00	18	1.128	36	2.256	580	0.63	1.14	875	0.84	1.52	1775	1.37	2.47
2.00	20	1.253	40	2.506	580	0.72	1.29	875	0.95	1.72	1775	1.55	2.80
2.00	24	1.504	48	3.008	580	0.89	1.61	875	1.19	2.14	1775	1.92	3.46
2.00	28	1.754	56	3.509	580	1.07	1.93	875	1.43	2.57	1775	2.30	4.15
2.00	30	1.880	60	3.760	580	1.16	2.10	875	1.55	2.79	1775	2.49	4.49
2.00	32	2.005	64	4.010	580	1.26	2.27	875	1.67	3.01	1775	2.68	4.84
2.00	34	2.130	68	4.261	580	1.35	2.44	875	1.80	3.24	1775	2.88	5.19
2.00	36	2.256	72	4.511	580	1.45	2.61	875	1.92	3.47	1775	3.07	5.54
2.00	40	2.506	80	5.013	580	1.64	2.96	875	2.18	3.93	1775	3.46	6.24
2.00	56	3.509	112	7.018	580	2.45	4.42	875	3.24	5.85	1775	5.00	9.02
2.05	44	2.757	90	5.639	567	1.84	3.32	856	2.44	4.40	1736	3.85	6.94
2.11	38	2.381	80	5.013	551	1.54	2.79	831	2.05	3.70	1686	3.27	5.89
2.11	18	1.128	38	2.381	549	0.63	1.14	829	0.84	1.52	1682	1.37	2.47
2.12	34	2.130	72	4.511	548	1.35	2.44	826	1.80	3.24	1676	2.88	5.19
2.13	16	1.003	34	2.130	546	0.55	0.99	824	0.73	1.32	1671	1.19	2.15
2.13	32	2.005	68	4.261	546	1.26	2.27	824	1.67	3.01	1671	2.68	4.84
2.13	30	1.880	64	4.010	544	1.16	2.10	820	1.55	2.79	1664	2.49	4.49
2.14	14	0.877	30	1.880	541	0.47	...	817	0.62	...	1657	1.02	...
2.14	28	1.754	60	3.760	541	1.07	1.93	817	1.43	2.57	1657	2.30	4.15
2.15	52	3.258	112	7.018	539	2.25	4.05	813	2.97	5.36	1648	4.62	8.33
2.17	24	1.504	52	3.258	535	0.89	1.61	808	1.19	2.14	1638	1.92	3.46
2.20	20	1.253	44	2.757	527	0.72	1.29	795	0.95	1.72	1614	1.55	2.80
2.22	18	1.258	40	2.506	522	0.63	1.14	788	0.84	1.52	1598	1.37	2.47
2.22	36	2.256	80	5.013	522	1.45	2.61	788	1.92	3.47	1598	3.07	5.54
2.25	16	1.003	36	2.256	516	0.55	0.99	778	0.73	1.32	1578	1.19	2.15
2.25	32	2.005	72	4.511	516	1.26	2.27	778	1.67	3.01	1578	2.68	4.84
2.25	40	2.506	90	5.639	516	1.64	2.96	778	2.18	3.93	1578	3.46	6.24
2.27	30	1.880	68	4.261	512	1.16	2.10	772	1.55	2.79	1566	2.49	4.49
2.29	14	0.877	32	2.005	508	0.47	...	766	0.62	...	1553	1.02	...
2.29	28	1.754	64	4.010	508	1.07	1.93	766	1.43	2.57	1553	2.30	4.15
2.33	24	1.504	56	3.509	497	0.89	1.61	750	1.19	2.14	1521	1.92	3.46
2.33	48	3.008	112	7.018	497	2.04	3.68	750	2.70	4.88	1521	4.24	7.64
2.35	34	2.130	80	5.013	493	1.35	2.44	744	1.80	3.24	1509	2.88	5.19
2.37	38	2.381	90	5.639	490	1.54	2.79	739	2.05	3.70	1499	3.27	5.89
2.38	16	1.003	38	2.381	488	0.55	0.99	737	0.73	1.32	1495	1.19	2.15
2.40	20	1.253	48	3.008	483	0.72	1.29	729	0.95	1.72	1479	1.55	2.80
2.40	30	1.880	72	4.511	483	1.16	2.10	729	1.55	2.79	1479	2.49	4.49
2.43	14	0.877	34	2.130	478	0.47	...	721	0.62	...	1462	1.02	...
2.43	28	1.754	68	4.261	478	1.07	1.93	721	1.43	2.57	1462	2.30	4.15
Multiply hp rating by belt length factor to determine drive width—BELT LENGTH FACTOR →													

PULLEYS

HTS[®] 5 mm Drive Selection Tables



Drive Ratio	Sprocket Combination				Driven Speeds and Horsepower Ratings								
	Driver		Driven		1160 RPM Driver			1750 RPM Driver			3550 RPM Driver		
	No. Teeth	P.D.	No. Teeth	P.D.	Driven Speed	HP for Belt Widths		Driven Speed	HP for Belt Widths		Driven Speed	HP for Belt Widths	
						15	25		15	25		15	25
Multiply hp rating by belt length factor to determine drive width—BELT LENGTH FACTOR →													
2.44	18	1.128	44	2.757	475	0.63	1.14	716	0.84	1.52	1452	1.37	2.47
2.50	16	1.065	40	2.506	464	0.55	0.99	700	0.73	1.32	1420	1.19	2.15
2.50	24	1.504	60	3.760	464	0.89	1.61	700	1.19	2.14	1420	1.92	3.46
2.50	32	2.005	80	5.013	464	1.26	2.27	700	1.67	3.01	1420	2.68	4.84
2.50	36	2.256	90	5.639	464	1.45	2.61	700	1.92	3.47	1420	3.07	5.54
2.55	44	2.757	112	7.018	456	1.84	3.32	688	2.44	4.40	1395	3.85	6.94
2.57	14	.877	36	2.256	451	0.47	...	681	0.62	...	1381	1.02	...
2.57	28	1.754	72	4.511	451	1.07	1.93	681	1.43	2.57	1381	2.30	4.15
2.60	20	1.253	52	3.258	446	0.72	1.29	673	0.95	1.75	1365	1.55	2.80
2.65	34	2.130	90	5.639	438	1.35	2.44	661	1.80	3.24	1341	2.88	5.19
2.67	18	1.128	48	3.008	435	0.63	1.14	656	0.84	1.52	1331	1.37	2.47
2.67	24	1.504	64	4.010	435	0.89	1.61	656	1.19	2.14	1331	1.92	3.46
2.67	30	1.880	80	5.013	435	1.16	2.10	656	1.55	2.79	1331	2.49	4.49
2.71	14	.877	38	2.381	427	0.47	...	645	0.62	...	1308	1.02	...
2.75	16	1.003	44	2.757	422	0.55	0.99	636	0.73	1.32	1291	1.19	2.15
2.80	20	1.253	56	3.509	414	0.72	1.29	625	0.95	1.72	1268	1.55	2.80
2.80	40	2.506	112	7.018	414	1.64	2.96	625	2.18	3.93	1268	3.46	6.24
2.81	32	2.005	90	5.639	412	1.26	2.27	622	1.67	3.01	1262	2.68	4.84
2.83	24	1.504	68	4.261	409	0.89	1.61	618	1.19	2.14	1253	1.92	3.46
2.86	14	.877	40	2.506	406	0.47	...	613	0.62	...	1243	1.02	...
2.86	28	1.754	80	5.013	406	1.07	1.93	613	1.43	2.57	1243	2.30	4.15
2.89	18	1.128	52	3.258	402	0.63	1.14	606	0.84	1.52	1229	1.37	2.47
2.95	38	2.381	112	7.018	394	1.54	2.79	594	2.05	3.70	1204	3.27	5.89
3.00	16	1.003	48	3.008	387	0.55	0.99	583	0.73	1.32	1183	1.19	2.15
3.00	20	1.253	60	3.760	387	0.72	1.29	583	0.95	1.72	1183	1.55	2.80
3.00	24	1.504	72	4.511	387	0.89	1.61	583	1.19	2.14	1183	1.92	3.46
3.00	30	1.880	90	5.639	387	1.16	2.10	583	1.55	2.79	1183	2.49	4.49
3.11	18	1.128	56	3.509	373	0.63	1.14	563	0.84	1.52	1141	1.37	2.47
3.11	36	2.256	112	7.018	373	1.45	2.61	563	1.92	3.47	1141	3.07	5.54
3.14	14	.877	44	2.757	369	0.47	...	557	0.62	...	1130	1.02	...
3.20	20	1.253	64	4.010	363	0.72	1.29	547	0.95	1.72	1109	1.55	2.80
3.21	28	1.754	90	5.639	361	1.07	1.93	544	1.43	2.57	1104	2.30	4.15
3.25	16	1.003	52	3.258	357	0.55	0.99	538	0.73	1.32	1092	1.19	2.15
3.29	34	2.130	112	7.018	352	1.35	2.44	531	1.80	3.24	1078	2.88	5.19
3.33	18	1.128	60	3.760	348	0.63	1.14	525	0.84	1.52	1065	1.37	2.47
3.33	24	1.504	80	5.013	348	0.89	1.61	525	1.19	2.14	1065	1.92	3.46
3.40	20	1.253	68	4.261	341	0.72	1.29	515	0.95	1.72	1044	1.55	2.80
6.43	14	.877	48	3.008	338	0.47	...	510	0.62	...	1035	1.02	...
3.50	16	1.003	56	3.509	331	0.55	0.99	500	0.73	1.32	1014	1.19	2.15
3.50	32	2.005	112	7.018	331	1.26	2.27	500	1.67	3.01	1014	2.68	4.84
3.56	18	1.128	64	4.010	326	0.63	1.14	492	0.84	1.52	998	1.37	2.47
3.60	20	1.253	72	4.511	322	0.72	1.29	486	0.95	1.72	986	1.55	2.80
3.71	14	.877	52	3.258	312	0.47	...	471	0.62	...	956	1.02	...
3.73	30	1.880	112	7.018	311	1.16	2.10	469	1.55	2.79	951	2.49	4.49
3.75	16	1.003	60	3.760	309	0.55	0.99	467	0.73	1.32	947	1.19	2.15
3.75	24	1.504	90	5.639	309	0.89	1.61	467	1.19	2.14	947	1.92	3.46
3.78	18	1.128	68	4.261	307	0.63	1.14	463	0.84	1.52	940	1.37	2.47
4.00	14	.877	56	3.509	290	0.47	...	438	0.62	...	888	1.02	...
4.00	16	1.003	64	4.010	290	0.55	0.99	438	0.73	1.32	888	1.19	2.15
4.00	18	1.128	72	4.511	290	0.63	1.14	438	0.84	1.52	888	1.37	2.47
Multiply hp rating by belt length factor to determine drive width—BELT LENGTH FACTOR →													



HTS® 5 mm Drive Selection Tables

NOMINAL CENTER DISTANCES																					
BELT LENGTH CODE DESIGNATION																					
350	375	400	425	450	475	500	535	565	600	635	670	710	740	800	850	890	950	1000	1050	1125	1195
.8				.9				1.0						1.1				1.2			
3.7	4.2	4.7	5.2	5.7	6.2	6.7	7.4	8.0	8.7	9.4	10.1	10.9	11.5	12.7	13.7	14.4	15.6	16.6	17.6	19.1	20.5
4.1	4.6	5.1	5.6	3.1	6.5	7.0	7.7	8.3	9.0	9.7	10.4	11.2	11.8	13.0	14.0	14.7	15.9	16.9	17.9	19.4	20.8
...	3.0	3.6	4.1	4.6	5.1	5.6	6.3	6.9	7.6	8.3	9.0	9.8	10.4	11.6	12.5	13.3	14.5	15.5	16.5	18.0	19.4
...	4.0	4.8	5.4	6.1	6.8	7.5	8.3	8.9	10.1	11.1	11.9	13.1	14.1	15.1	16.6	17.9
...	4.6	5.3	6.1	6.8	7.6	8.2	9.4	10.4	11.2	12.4	13.4	14.4	15.9	17.2
...	5.9	6.5	7.8	8.8	9.6	10.8	11.8	12.8	14.3	15.7
4.4	4.9	5.4	5.9	6.4	6.9	7.3	8.0	8.6	9.3	10.0	10.7	11.5	12.1	13.3	14.3	15.0	16.2	17.2	18.2	19.7	21.1
...	3.7	4.2	4.7	5.4	6.0	6.7	7.4	8.1	8.9	9.5	10.7	11.7	12.5	13.7	14.7	15.7	17.2	18.5
3.2	3.7	4.2	4.7	5.2	5.7	6.2	6.9	7.5	8.2	8.9	9.6	10.4	11.0	12.2	13.1	13.9	15.1	16.1	17.1	18.6	20.0
...	4.7	5.4	6.1	6.9	7.7	8.3	9.5	10.5	11.3	12.5	13.5	14.5	15.9	17.3
3.5	4.0	4.5	5.0	5.5	6.0	6.5	7.2	7.8	8.5	9.2	9.9	10.7	11.3	12.5	13.5	14.2	15.4	16.4	17.4	18.9	20.3
...	...	3.3	3.8	4.3	4.9	5.4	6.1	6.7	7.4	8.1	8.8	9.6	10.2	11.3	12.3	13.1	14.3	15.3	16.3	17.8	19.2
...	4.1	4.9	5.5	6.2	6.9	7.6	8.4	9.0	10.2	11.2	12.0	13.2	14.2	15.2	16.7	18.0
4.3	4.8	5.3	5.8	6.3	6.7	7.2	7.9	8.5	9.2	9.9	10.6	11.4	12.0	13.2	14.2	14.9	16.1	17.1	18.1	19.6	21.0
3.8	4.3	4.8	5.3	5.8	6.3	6.8	7.5	8.1	8.8	9.5	10.2	11.0	11.6	12.8	13.8	14.5	15.7	16.7	17.7	19.2	20.6
2.9	3.5	4.0	4.5	5.0	5.5	6.0	6.7	7.3	8.0	8.7	9.4	10.2	10.8	12.0	12.9	13.7	14.9	15.9	16.9	18.4	19.8
...	5.2	6.1	6.7	7.9	9.0	9.8	11.0	12.0	13.0	14.5	15.9
...	4.8	5.5	6.2	6.9	7.7	8.4	9.6	10.6	11.4	12.6	13.6	14.5	16.0	17.4
...	3.6	4.1	4.6	5.1	5.8	6.4	7.1	7.8	8.5	9.3	9.9	11.1	12.1	12.9	14.1	15.1	16.1	17.6	18.9
4.1	4.6	5.1	5.6	6.1	6.6	7.1	7.8	8.4	9.1	9.8	10.5	11.3	11.9	13.1	14.1	14.8	16.0	17.0	18.0	19.5	20.9
...	4.2	4.9	5.6	6.3	7.0	7.7	8.5	9.1	10.3	11.3	12.1	13.3	14.3	15.3	16.7	18.1
3.3	3.8	4.3	4.8	5.3	5.8	6.3	7.0	7.6	8.3	9.0	9.7	10.5	11.1	12.3	13.2	14.0	15.2	16.2	17.2	18.7	20.0
...	5.3	6.2	6.8	8.0	9.0	9.9	11.1	12.1	13.1	14.6	16.0
3.6	4.1	4.6	5.1	5.6	6.1	6.6	7.3	7.9	8.6	9.3	10.0	10.8	11.4	12.6	13.5	14.3	15.5	16.5	17.5	19.0	20.3
...	3.2	3.7	4.2	4.7	5.3	5.8	6.5	7.1	7.8	8.5	9.2	10.0	10.6	11.7	12.7	13.5	14.7	15.7	16.7	18.2	19.5
...	3.8	4.4	4.9	5.6	6.2	6.9	7.6	8.3	9.1	9.7	10.9	11.9	12.7	13.9	14.9	15.9	17.4	18.7
...	4.2	4.9	5.6	6.3	7.0	7.8	8.4	9.6	10.7	11.5	12.6	13.6	14.6	16.1	17.5
3.0	3.5	4.1	4.6	5.1	5.6	6.1	6.8	7.4	8.1	8.8	9.5	10.3	10.9	12.0	13.0	13.8	15.0	16.0	17.0	18.5	19.8
...	5.4	6.2	6.9	8.1	9.1	9.9	11.2	12.2	13.2	14.7	16.1
3.9	4.4	4.9	5.4	5.9	6.4	6.9	7.6	8.2	8.9	9.6	10.3	11.1	11.7	12.9	13.8	14.6	15.8	16.8	17.8	19.3	20.6
...	...	3.5	4.0	4.5	5.0	5.5	6.2	6.8	7.5	8.2	8.9	9.7	10.3	11.5	12.5	13.3	14.5	15.5	16.5	18.0	19.3
...	4.3	4.9	5.7	6.4	7.1	7.9	8.5	9.7	10.7	11.5	12.7	13.7	14.7	16.2	17.6
3.3	3.9	4.4	4.9	5.4	5.9	6.4	7.1	7.7	8.4	9.1	9.8	10.6	11.2	12.3	13.3	14.1	15.3	16.3	17.3	18.8	20.1
...	5.5	6.3	6.9	8.2	9.2	10.0	11.2	12.2	13.2	14.7	16.1
...	3.3	3.8	4.3	4.8	5.3	5.8	6.6	7.2	7.9	8.6	9.3	10.0	10.6	11.8	12.8	13.6	14.8	15.8	16.8	18.3	19.6
...	3.8	4.4	5.1	5.7	6.4	7.2	7.9	8.7	9.3	10.5	11.5	12.3	13.5	14.5	15.4	16.9	18.3
...	...	3.2	3.7	4.3	4.8	5.3	6.0	6.6	7.3	8.0	8.7	9.5	10.1	11.3	12.3	13.1	14.3	15.3	16.3	17.7	19.1
3.7	4.2	4.7	5.2	5.7	6.2	6.7	7.4	8.0	8.7	9.4	10.1	10.9	11.5	12.6	13.6	14.4	15.6	16.6	17.6	19.1	20.4
3.1	3.6	4.1	4.6	5.2	5.7	6.2	6.9	7.5	8.2	8.9	9.6	10.4	10.9	12.1	13.1	13.9	15.1	16.1	17.1	18.6	19.9
...	5.5	6.4	7.0	8.3	9.3	10.1	11.3	12.3	13.3	14.8	16.2
...	3.0	3.5	4.1	4.6	5.1	5.6	6.3	6.9	7.6	8.3	9.0	9.8	10.4	11.6	12.6	13.4	14.6	15.6	16.6	18.0	19.4
...	3.5	4.0	4.5	5.0	5.8	6.4	7.1	7.8	8.5	9.3	9.9	11.1	12.1	12.9	14.1	15.1	16.1	17.5	18.9
3.4	3.9	4.5	5.0	5.5	6.0	6.5	7.2	7.8	8.5	9.2	9.9	10.7	11.3	12.4	13.4	14.2	15.4	16.4	17.4	18.9	20.2
...	4.9	5.6	6.5	7.1	8.4	9.4	10.2	11.4	12.4	13.4	14.9	16.3
2.8	3.4	3.9	4.4	4.9	5.4	5.9	6.6	7.2	7.9	8.6	9.3	10.1	10.7	11.9	12.9	13.7	14.9	15.9	16.9	18.4	19.7
...	4.5	5.1	5.8	6.6	7.3	8.1	8.7	9.9	10.9	11.7	12.9	13.9	14.9	16.4	17.8
...	...	3.3	3.8	4.3	4.9	5.4	6.1	6.7	7.4	8.1	8.8	9.6	10.2	11.4	12.4	13.2	14.4	15.4	16.4	17.8	19.2
3.2	3.7	4.2	4.7	5.2	5.7	6.3	7.0	7.6	8.3	9.0	9.6	10.4	11.0	12.2	13.2	14.0	15.2	16.2	17.2	18.7	20.0
...	3.1	3.6	4.2	4.7	5.2	5.7	6.4	7.0	7.7	8.4	9.1	9.9	10.5	11.7	12.7	13.5	14.7	15.7	16.7	18.1	19.5
...	3.5	4.1	4.6	5.1	5.8	6.5	7.2	7.9	8.6	9.4	10.0	11.2	12.2	13.0	14.2	15.2	16.1	17.6	19.0
.8				.9				1.0						1.1				1.2			

PULLEYS

HTS® 5 mm Drive Selection Tables



Drive Ratio	Sprocket Combination				Driven Speeds and Horsepower Ratings								
	Driver		Driven		1160 RPM Driver			1750 RPM Driver			3550 RPM Driver		
	No. Teeth	P.D.	No. Teeth	P.D.	Driven Speed	HP for Belt Widths		Driven Speed	HP for Belt Widths		Driven Speed	HP for Belt Widths	
						15	25		15	25		15	25
Multiply hp rating by belt length factor to determine drive width—BELT LENGTH FACTOR →													
4.00	20	1.253	80	5.013	290	0.72	1.29	438	0.95	1.72	888	1.55	2.80
4.00	28	1.754	112	7.018	290	1.07	1.93	438	1.43	2.57	888	2.30	4.15
4.25	16	1.003	68	4.261	273	0.55	0.99	412	0.73	1.32	835	1.19	2.15
4.29	14	.877	60	3.760	271	0.47	...	408	0.62	...	828	1.02	...
4.44	18	1.128	80	5.013	261	0.63	1.14	394	0.84	1.52	799	1.37	2.47
4.50	16	1.003	72	4.511	258	0.55	0.99	389	0.73	1.32	789	1.19	2.15
4.50	20	1.253	90	5.639	258	0.72	1.29	389	0.95	1.72	789	1.55	2.80
4.57	14	.877	64	4.010	254	0.47	...	383	0.62	...	777	1.02	...
4.67	24	1.504	112	7.018	249	0.89	1.61	375	1.19	2.14	761	1.92	3.46
4.86	14	.877	68	4.261	239	0.47	...	360	0.62	...	731	1.02	...
5.00	16	1.003	80	5.013	232	0.55	0.99	350	0.73	1.32	710	1.19	2.15
5.00	18	1.128	90	5.639	232	0.63	1.14	350	0.84	1.52	710	1.37	2.47
5.14	14	.877	72	4.511	226	0.47	...	340	0.62	...	690	1.02	...
5.60	20	1.253	112	7.018	207	0.72	1.29	313	0.95	1.72	634	1.55	2.80
5.63	16	1.003	90	5.639	206	0.55	0.99	311	0.73	1.32	631	1.19	2.15
5.71	14	.877	80	5.013	203	0.47	...	306	0.62	...	621	1.02	...
6.22	18	1.128	112	7.018	186	0.63	1.14	281	0.84	1.52	571	1.37	2.47
6.43	14	.877	90	5.639	180	0.47	...	272	0.62	...	552	1.02	...
7.00	16	1.003	112	7.018	166	0.55	0.99	250	0.73	1.32	507	1.19	2.15
8.00	14	.877	112	7.018	145	0.47	...	219	0.62	...	444	1.02	...
Multiply hp rating by belt length factor to determine drive width—BELT LENGTH FACTOR →													



HTS® 5 mm Drive Selection Tables

NOMINAL CENTER DISTANCES																						
BELT LENGTH CODE DESIGNATION																						
400	425	450	475	500	535	565	600	635	670	710	740	800	850	890	950	1000	1050	1125	1195	1270	1420	
.8		.9				1.0						1.1					1.2					
...	4.0	4.5	5.3	5.9	6.6	7.3	8.0	8.8	9.4	10.7	11.7	12.4	13.6	14.6	15.6	17.1	18.5	20.0	23.0	
...	4.9	5.7	6.6	7.2	8.4	9.5	10.3	11.5	12.5	13.5	15.0	16.4	17.9	20.9	
3.4	3.9	4.4	4.9	5.5	6.2	6.8	7.5	8.2	8.9	9.7	10.3	11.5	12.5	13.3	14.5	15.5	16.5	17.9	19.3	20.8	23.8	
4.0	4.5	5.0	5.5	6.0	6.7	7.3	8.0	8.7	9.4	10.2	10.8	12.0	13.0	13.8	15.0	16.0	17.0	18.4	19.8	21.3	24.3	
...	...	3.5	4.1	4.6	5.4	6.0	6.7	7.4	8.1	8.9	9.5	10.7	11.7	12.5	13.7	14.7	15.7	17.2	18.6	20.1	23.0	
...	3.6	4.2	4.7	5.2	5.9	6.5	7.3	8.0	8.7	9.5	10.1	11.3	12.3	13.1	14.3	15.2	16.2	17.7	19.1	20.6	23.6	
...	3.8	4.6	5.3	6.0	6.7	7.4	8.3	8.9	10.1	11.1	11.9	13.1	14.1	15.1	16.6	18.0	19.5	22.4	
3.7	4.2	4.8	5.3	5.8	6.5	7.1	7.8	8.5	9.2	10.0	10.6	11.8	12.8	13.6	14.8	15.8	16.8	18.2	19.6	21.1	24.1	
...	5.1	5.9	6.7	7.4	8.6	9.6	10.4	11.7	12.7	13.7	15.2	16.6	18.1	21.1	
3.4	4.0	4.5	5.0	5.5	6.3	6.9	7.6	8.3	9.0	9.8	10.4	11.6	12.6	13.4	14.6	15.6	16.5	18.0	19.4	20.9	23.9	
...	...	3.6	4.2	4.7	5.4	6.1	6.8	7.5	8.2	9.0	9.6	10.8	11.8	12.6	13.8	14.8	15.8	17.3	18.7	20.2	23.1	
...	3.9	4.7	5.3	6.1	6.8	7.5	8.3	9.0	10.2	11.2	12.0	13.2	14.2	15.2	16.7	18.1	19.5	22.5	
3.2	3.7	4.2	4.8	5.3	6.0	6.6	7.3	8.1	8.8	9.6	10.2	11.4	12.4	13.2	14.3	15.3	16.3	17.8	19.2	20.7	23.6	
...	5.3	6.0	6.9	7.5	8.8	9.8	10.6	11.8	12.8	13.9	15.4	16.8	18.3	21.2	
...	4.0	4.8	5.4	6.2	6.9	7.6	8.4	9.0	10.3	11.3	12.1	13.3	14.3	15.3	16.8	18.1	19.6	22.6	
...	...	3.7	4.2	4.8	5.5	6.1	6.9	7.6	8.3	9.1	9.7	10.9	11.9	12.7	13.9	14.9	15.9	17.4	18.8	20.3	23.2	
...	4.5	5.3	6.1	7.0	7.6	8.8	9.9	10.7	11.9	12.9	13.9	15.5	16.9	18.4	21.3	
...	4.1	4.8	5.5	6.2	7.0	7.7	8.5	9.1	10.3	11.4	12.2	13.4	14.4	15.4	16.8	18.2	19.7	22.7	
...	4.6	5.4	6.2	7.0	7.7	8.9	10.0	10.8	12.0	13.0	14.0	15.5	16.9	18.4	21.4	
...	4.7	5.5	6.3	7.1	7.8	9.0	10.0	10.9	12.1	13.1	14.1	15.6	17.0	18.5	21.5	
.8		.9				1.0						1.1					1.2					

HTS® 8 mm Drive Selection Tables



DN RPM	Drive Ratio	Sprocket Combination				HP Ratings @ 1750 RPM Driver							
		Driver		Driven		RPPTM Belt Widths				RPPTM PLUS Belt Widths			
		No. Teeth	P.D.	No. Teeth	P.D.	20	30	50	85	20	30	50	85
Multiply hp rating by belt length factor to determine drive width—BELT LENGTH FACTOR →													
1750	1.00	22	2.206	22	2.206	3.99	6.34	11.0	...	5.99	9.47	16.4	...
1750	1.00	24	2.406	24	2.406	4.35	6.91	12.0	...	6.60	10.4	18.1	...
1750	1.00	26	2.607	26	2.607	4.71	7.48	12.9	...	7.22	11.4	19.8	...
1750	1.00	28	2.807	28	2.807	5.61	8.92	15.4	...	7.83	12.4	21.5	...
1750	1.00	30	3.008	30	3.008	6.10	9.70	16.8	...	8.46	13.4	23.2	...
1750	1.00	32	3.208	32	3.208	6.72	10.7	18.5	...	9.08	14.4	24.9	...
1750	1.00	34	3.409	34	3.409	7.67	12.2	21.1	36.7	9.71	15.4	26.6	46.4
1750	1.00	36	3.609	36	3.609	9.85	15.7	27.7	47.1	10.3	16.4	28.4	49.4
1750	1.00	38	3.810	38	3.810	10.3	16.4	28.4	49.4	11.0	17.4	30.1	52.4
1750	1.00	40	4.010	40	4.010	10.8	17.2	29.8	51.8	11.6	18.4	31.9	55.5
1750	1.00	44	4.411	44	4.411	11.8	18.8	32.5	56.4	12.9	20.4	35.4	61.6
1750	1.00	48	4.812	48	4.812	12.7	20.3	35.1	60.9	14.2	22.4	38.9	67.7
1750	1.00	56	5.614	56	5.614	14.6	23.2	40.0	69.6	16.8	26.5	46.0	80.1
1750	1.00	64	6.416	64	6.416	16.3	25.9	44.8	77.8	19.3	30.6	53.1	92.5
1750	1.00	72	7.218	72	7.218	17.9	28.4	49.2	85.5	21.9	34.7	60.2	105
1750	1.00	80	8.020	80	8.020	19.4	30.8	53.3	92.7	24.4	38.7	67.2	117
1663	1.05	38	3.810	40	4.010	10.3	16.4	28.4	49.4	11.0	17.4	30.1	52.4
1658	1.06	36	3.609	38	3.810	9.85	15.7	27.1	47.1	10.3	16.4	28.4	49.4
1653	1.06	34	3.409	36	3.609	7.67	12.2	21.1	36.7	9.71	15.4	26.6	46.4
1647	1.06	32	3.208	34	3.409	6.72	10.7	18.5	...	9.08	14.4	24.9	...
1641	1.07	30	3.008	32	3.208	6.10	9.70	16.8	...	8.46	13.4	23.2	...
1633	1.07	28	2.807	30	3.008	5.61	8.92	15.4	...	7.83	12.4	21.5	...
1625	1.08	26	2.607	28	2.807	4.71	7.48	12.9	...	7.22	11.4	19.8	...
1615	1.08	24	2.406	26	2.607	4.35	6.91	12.0	...	6.60	10.4	18.1	...
1604	1.09	22	2.206	24	2.406	3.99	6.34	11.0	...	5.99	9.47	16.4	...
1604	1.09	44	4.411	48	4.812	11.8	18.8	32.5	56.4	12.9	20.4	35.4	61.6
1591	1.10	40	4.010	44	4.411	10.8	17.2	29.8	51.8	11.6	18.4	31.9	55.5
1575	1.11	36	3.609	40	4.010	9.85	15.7	27.1	47.1	10.3	16.4	28.4	49.4
1575	1.11	72	7.218	80	8.020	17.9	28.4	49.2	85.5	21.9	34.7	60.2	105
1566	1.12	34	3.409	38	3.810	7.67	12.2	21.1	36.7	9.71	15.4	26.6	46.4
1556	1.13	32	3.208	36	3.609	6.72	10.7	18.5	...	9.08	14.4	24.9	...
1556	1.13	64	6.416	72	7.218	16.3	25.9	44.8	77.8	19.3	30.6	53.1	92.5
1556	1.13	80	8.020	90	9.023	19.4	30.8	53.3	92.7	24.4	38.7	67.2	117
1544	1.13	30	3.008	34	3.409	6.10	9.70	16.8	...	8.46	13.4	23.2	...
1531	1.14	28	2.807	32	3.208	5.61	8.92	15.4	...	7.83	12.4	21.5	...
1531	1.14	56	5.614	64	6.416	14.6	23.2	40.0	69.6	16.8	26.5	46.0	80.1
1517	1.15	26	2.607	30	3.008	4.71	7.48	12.9	...	7.22	11.4	19.8	...
1511	1.16	38	3.810	44	4.411	10.3	16.4	28.4	49.4	11.0	17.4	30.1	52.4
1500	1.17	24	2.406	28	2.807	4.35	6.91	12.0	...	6.60	10.4	18.1	...
1500	1.17	48	4.812	56	5.614	12.7	20.3	35.1	60.9	14.2	22.4	38.9	67.7
1488	1.18	34	3.409	40	4.010	7.67	12.2	21.1	36.7	9.71	15.4	26.6	46.4
1481	1.18	22	2.206	26	2.607	3.99	6.34	11.0	...	5.99	9.47	16.4	...
1474	1.19	32	3.208	38	3.810	6.72	10.7	18.5	...	9.08	14.4	24.9	...
1458	1.20	30	3.008	36	3.609	6.10	9.70	16.8	...	8.46	13.4	23.2	...
1458	1.20	40	4.010	48	4.812	10.8	17.2	29.8	51.8	11.6	18.4	31.9	55.5
1441	1.21	28	2.807	34	3.409	5.61	8.92	15.4	...	7.83	12.4	21.5	...
1432	1.22	36	3.609	44	4.411	9.85	15.7	27.1	47.1	10.3	16.4	28.4	49.4
1422	1.23	26	2.607	32	3.208	4.71	7.48	12.9	...	7.22	11.4	19.8	...
1400	1.25	24	2.406	30	3.008	4.35	6.91	12.0	...	6.60	10.4	18.1	...
1400	1.25	32	3.208	40	4.010	6.72	10.7	18.5	...	9.08	14.4	24.9	...
Multiply hp rating by belt length factor to determine drive width—BELT LENGTH FACTOR →													

PULLEYS



HTS® 8 mm Drive Selection Tables

NOMINAL CENTER DISTANCES																								
BELT LENGTH CODE DESIGNATION																								
480	536	560	600	640	720	800	880	960	1040	1120	1200	1224	1280	1440	1600	1760	1800	2000	2400	2600	2800			
.8				.9				1.0					1.1				1.2							
6.0	7.1	7.6	8.3	9.1	10.7	12.3	13.9	15.4	17.0	18.6	20.2	20.6	21.7	24.9	28.0	31.2	32.0	35.9	43.8	47.7	51.7			
5.7	6.8	7.2	8.0	8.8	10.4	12.0	13.5	15.1	16.7	18.3	19.8	20.3	21.4	24.6	27.7	30.9	31.7	35.6	43.5	47.4	51.3			
5.4	6.5	6.9	7.7	8.5	10.1	11.7	13.2	14.8	16.4	18.0	19.5	20.0	21.1	24.3	27.4	30.6	31.3	35.3	43.2	47.1	51.0			
5.0	6.1	6.6	7.4	8.2	9.8	11.3	12.9	14.5	16.1	17.6	19.2	19.7	20.8	23.9	27.1	30.2	31.0	35.0	42.8	46.8	50.7			
4.7	5.8	6.3	7.1	7.9	9.5	11.0	12.6	14.2	15.8	17.3	18.9	19.4	20.5	23.6	26.8	29.9	30.7	34.6	42.5	46.5	50.4			
4.4	5.5	6.0	6.8	7.6	9.1	10.7	12.3	13.9	15.4	17.0	18.6	19.1	20.2	23.3	26.5	29.6	30.4	34.3	42.2	46.1	50.1			
...	5.2	5.7	6.5	7.2	8.8	10.4	12.0	13.5	15.1	16.7	18.3	18.7	19.8	23.0	26.1	29.3	30.1	34.0	41.9	45.8	49.8			
...	4.9	5.4	6.1	6.9	8.5	10.1	11.7	13.2	14.8	16.4	18.0	18.4	19.5	22.7	25.8	29.0	29.8	33.7	41.6	45.5	49.5			
...	4.6	5.0	5.8	6.6	8.2	9.8	11.3	12.9	14.5	16.1	17.6	18.1	19.2	22.4	25.5	28.7	29.5	33.4	41.3	45.2	49.1			
...	5.5	6.3	7.9	9.5	11.0	12.6	14.2	15.8	17.3	17.8	18.9	22.1	25.2	28.3	29.1	33.1	40.9	44.9	48.8			
...	5.7	7.2	8.8	10.4	12.0	13.5	15.1	16.7	17.2	18.3	21.4	24.6	27.7	28.5	32.4	40.3	44.3	48.2			
...	6.6	8.2	9.8	11.3	12.9	14.5	16.1	16.5	17.6	20.8	23.9	27.1	27.9	31.8	39.7	43.6	47.6			
...	6.9	8.5	10.1	11.7	13.2	14.8	15.3	16.4	19.5	22.7	25.8	26.6	30.6	38.4	42.4	46.3			
...	7.2	8.8	10.4	12.0	13.5	14.0	15.1	18.3	21.4	24.6	25.4	29.3	37.2	41.1	45.0			
...	9.1	10.7	12.3	12.8	13.6	17.0	20.2	23.3	24.1	28.0	35.9	39.8	43.8			
...	9.5	11.0	11.5	12.6	15.8	18.9	22.1	22.8	26.8	34.7	38.6	42.5			
...	...	4.9	5.7	6.5	8.0	9.6	11.2	12.8	14.3	15.9	17.5	18.0	19.1	22.2	25.4	28.5	29.3	33.2	41.1	45.0	49.0			
...	4.7	5.2	6.0	6.8	8.3	9.9	11.5	13.1	14.6	16.2	17.8	18.3	19.4	22.5	25.7	28.8	29.6	33.5	41.4	45.4	49.3			
...	5.0	5.5	6.3	7.1	8.7	10.2	11.8	13.4	15.0	16.5	18.1	18.6	19.7	22.8	26.0	29.1	29.9	33.9	41.7	45.7	49.6			
4.3	5.4	5.8	6.6	7.4	9.0	10.6	12.1	13.7	15.3	16.9	18.4	18.9	20.0	23.2	26.3	29.5	30.2	34.2	42.0	46.0	49.9			
4.6	5.7	6.1	6.9	7.7	9.3	10.9	12.4	14.0	15.6	17.2	18.7	19.2	20.3	23.5	26.6	29.8	30.6	34.5	42.4	46.3	50.2			
4.9	6.0	6.5	7.2	8.0	9.6	11.2	12.8	14.3	15.9	17.5	19.1	19.5	20.6	23.8	26.9	30.1	30.9	34.8	42.7	46.6	50.6			
5.2	6.3	6.8	7.6	8.3	9.9	11.5	13.1	14.6	16.2	17.8	19.4	19.8	20.9	24.1	27.2	30.4	31.2	35.1	43.0	46.9	50.9			
5.5	6.6	7.1	7.9	8.7	10.2	11.8	13.4	15.0	16.5	18.1	19.7	20.2	21.3	24.4	27.6	30.7	31.5	35.4	43.3	47.2	51.2			
5.8	6.9	7.4	8.2	9.0	10.6	12.1	13.7	15.3	16.9	18.4	20.0	20.5	21.6	24.7	27.9	31.0	31.8	35.7	43.6	47.6	51.5			
...	6.9	8.5	10.1	11.7	13.2	14.8	16.4	16.9	18.0	21.1	24.3	27.4	28.2	32.1	40.0	43.9	47.9			
...	5.2	6.0	7.6	9.1	10.7	12.3	13.9	15.4	17.0	17.5	18.6	21.7	24.9	28.0	28.8	32.8	40.6	44.6	48.5			
...	4.6	5.0	5.8	6.6	8.2	9.8	11.3	12.9	14.5	16.1	17.6	18.1	19.2	22.4	25.5	28.7	29.5	33.4	41.3	45.2	49.1			
...	8.5	10.1	11.7	12.1	13.2	16.4	19.5	22.7	23.5	27.4	35.3	39.2	43.2			
...	4.9	5.4	6.1	6.9	8.5	10.1	11.7	13.2	14.8	16.4	18.0	18.4	19.5	22.7	25.8	29.0	29.8	33.7	41.6	45.5	49.5			
...	5.2	5.7	6.5	7.2	8.8	10.4	12.0	13.5	15.1	16.7	18.3	18.7	19.8	23.0	26.1	29.3	30.1	34.0	41.9	45.8	49.8			
...	8.2	9.8	11.3	12.9	13.4	14.5	17.6	20.8	23.9	24.7	28.7	36.5	40.5	44.4			
...	10.2	10.7	11.8	15.0	18.1	21.3	22.0	26.0	33.9	37.8	41.7			
4.4	5.5	6.0	6.8	7.6	9.1	10.7	12.3	13.9	15.4	17.0	18.6	19.1	20.2	23.3	26.5	29.6	30.4	34.3	42.2	46.1	50.1			
4.7	5.8	6.3	7.1	7.9	9.4	11.0	12.6	14.2	15.7	17.3	18.9	19.4	20.5	23.6	26.8	29.9	30.7	34.6	42.5	46.5	50.4			
...	7.9	9.4	11.0	12.6	14.2	14.6	15.7	18.9	22.0	25.2	26.0	29.9	37.8	41.7	45.7			
5.0	6.1	6.6	7.4	8.2	9.8	11.3	12.9	14.5	16.1	17.6	19.2	19.7	20.8	23.9	27.1	30.2	31.0	35.0	42.8	46.8	50.7			
...	5.3	6.1	7.7	9.3	10.9	12.4	14.0	15.6	17.2	17.6	18.7	21.9	25.0	28.2	29.0	32.9	40.8	44.7	48.7			
5.4	6.5	6.9	7.7	8.5	10.1	11.7	13.2	14.8	16.4	18.0	19.5	20.0	21.1	24.3	27.4	30.6	31.3	35.3	43.2	47.1	51.0			
...	6.0	7.6	9.1	10.7	12.3	13.9	15.4	15.9	17.0	20.2	23.3	26.5	27.2	31.2	39.1	43.0	46.9			
...	4.7	5.2	6.0	6.8	8.3	9.9	11.5	13.1	14.6	16.2	17.8	18.3	19.4	22.5	25.7	28.8	29.6	33.5	41.4	45.4	49.3			
5.7	6.8	7.2	8.0	8.8	10.4	12.0	13.5	15.1	16.7	18.3	19.8	20.3	21.4	24.6	27.7	30.9	31.7	35.6	43.5	47.4	51.3			
...	5.0	5.5	6.3	7.1	8.7	10.2	11.8	13.4	15.0	16.5	18.1	18.6	19.7	22.8	26.0	29.1	29.9	33.9	41.7	45.7	49.6			
4.2	5.3	5.8	6.6	7.4	9.0	10.5	12.1	13.7	15.3	16.9	18.4	18.9	20.0	23.2	26.3	29.4	30.2	34.2	42.0	46.0	49.9			
...	5.7	7.2	8.8	10.4	12.0	13.5	15.1	16.7	17.2	18.3	21.4	24.6	27.7	28.5	32.4	40.3	44.3	48.2			
4.6	5.7	6.1	6.9	7.7	9.3	10.9	12.4	14.0	15.6	17.2	18.7	19.2	20.3	23.5	26.6	29.8	30.6	34.5	42.4	46.3	50.2			
...	5.5	6.3	7.9	9.4	11.0	12.6	14.2	15.7	17.3	17.8	18.9	22.0	25.2	28.3	29.1	33.1	40.9	44.9	48.8			
4.9	6.0	6.5	7.2	8.0	9.6	11.2	12.8	14.3	15.9	17.5	19.1	19.5	20.6	23.8	26.9	30.1	30.9	34.8	42.7	46.6	50.6			
5.2	6.3	6.8	7.6	8.3	9.9	11.5	13.1	14.6	16.2	17.8	19.4	19.8	20.9	24.1	27.2	30.4	31.2	35.1	43.0	46.9	50.9			
...	4.9	5.3	6.1	6.9	8.5	10.1	11.6	13.2	14.8	16.4	18.0	18.4	19.5	22.7	25.8	29.0	29.8	33.7	41.6	45.5	49.4			
.8				.9				1.0					1.1					1.2						

PULLEYS

HTS® 8 mm Drive Selection Tables



DN RPM	Drive Ratio	Sprocket Combination				HP Ratings @ 1750 RPM Driver							
		Driver		Driven		RPPTM Belt Widths				RPPTM PLUS Belt Widths			
		No. Teeth	P.D.	No. Teeth	P.D.	20	30	50	85	20	30	50	85
Multiply hp rating by belt length factor to determine drive width—BELT LENGTH FACTOR →													
1400	1.25	64	6.416	80	8.020	16.30	25.90	44.8	77.8	19.30	30.60	53.1	92.5
1400	1.25	72	7.218	90	9.023	17.90	28.40	49.2	85.5	21.90	34.70	60.2	105.0
1385	1.26	38	3.810	48	4.812	10.30	16.40	28.4	49.4	11.00	17.40	30.1	52.4
1382	1.27	30	3.008	38	3.810	6.10	9.70	16.8	...	8.46	13.40	23.2	...
1375	1.27	22	2.206	28	2.807	3.99	6.34	11.0	...	5.99	9.47	16.4	...
1375	1.27	44	4.411	56	5.614	11.80	18.80	32.5	56.4	12.90	20.40	35.4	61.6
1361	1.29	28	2.807	36	3.609	5.61	8.92	15.4	...	7.83	12.40	21.5	...
1361	1.29	56	5.614	72	7.218	14.60	23.20	40.0	69.6	16.80	26.50	16.0	80.1
1352	1.29	34	3.409	44	4.411	7.67	12.20	21.1	36.7	9.71	15.40	26.6	46.4
1338	1.31	26	2.607	34	3.409	4.71	7.48	12.9	...	7.22	11.40	19.8	...
1313	1.33	24	2.406	32	3.208	4.35	6.91	12.0	...	6.60	10.40	18.1	...
1313	1.33	30	3.008	40	4.010	6.10	9.70	16.8	...	8.46	13.40	23.2	...
1313	1.33	36	3.609	48	4.812	9.85	15.70	27.1	47.1	10.30	16.40	28.4	49.4
1313	1.33	48	4.812	64	6.416	12.70	20.30	35.1	60.9	14.20	22.40	38.9	67.7
1289	1.36	28	2.807	38	3.810	5.61	8.92	15.4	...	7.83	12.40	21.5	...
1283	1.36	22	2.206	30	3.008	3.99	6.34	11.0	...	5.99	9.47	16.4	...
1273	1.38	32	3.208	44	4.411	6.72	10.70	18.5	...	9.08	14.40	24.9	...
1264	1.38	26	2.607	36	3.609	4.71	7.48	12.9	...	7.22	11.40	19.8	...
1250	1.40	40	4.010	56	5.614	10.80	17.20	29.8	51.8	11.60	18.40	31.9	55.5
1250	1.40	80	8.020	112	11.229	19.40	30.80	53.3	92.7	24.40	38.70	67.2	117.0
1244	1.41	64	6.416	90	9.023	16.30	25.90	44.8	77.8	19.30	30.60	53.1	92.5
1240	1.41	34	3.409	48	4.812	7.67	12.20	21.1	36.7	9.71	15.40	26.6	46.4
1235	1.42	24	2.406	34	3.409	4.35	6.91	12.0	...	6.60	10.40	18.1	...
1225	1.43	28	2.807	40	4.010	5.61	8.92	15.4	...	7.83	12.40	21.5	...
1225	1.43	56	5.614	80	8.020	14.60	23.20	40.0	69.6	16.80	26.50	16.0	80.1
1203	1.45	22	2.206	32	3.208	3.99	6.34	11.0	...	5.99	9.47	16.4	...
1203	1.45	44	4.411	64	6.416	11.80	18.80	32.5	56.4	12.90	20.40	35.4	61.6
1197	1.46	26	2.607	38	3.810	4.71	7.48	12.9	...	7.22	11.40	19.8	...
1193	1.47	30	3.008	44	4.411	6.10	9.70	16.8	...	8.46	13.40	23.2	...
1188	1.47	38	3.810	56	5.614	10.30	16.40	28.4	49.4	11.00	17.40	30.1	52.4
1167	1.50	24	2.406	36	3.609	4.35	6.91	12.0	...	6.60	10.40	18.1	...
1167	1.50	32	3.208	48	4.812	6.72	10.70	18.5	...	9.08	14.40	24.9	...
1167	1.50	48	4.812	72	7.218	12.70	20.30	35.1	60.9	14.20	22.40	38.9	67.7
1138	1.54	26	2.607	40	4.010	4.71	7.48	12.9	...	7.22	11.40	19.8	...
1132	1.55	22	2.206	34	3.409	3.99	6.34	11.0	...	5.99	9.47	16.4	...
1125	1.56	36	3.609	56	5.614	9.85	15.70	27.1	47.1	10.30	16.40	28.4	49.4
1125	1.56	72	7.218	112	11.229	17.90	28.40	49.2	85.5	21.90	34.70	60.2	105.0
1114	1.57	28	2.807	44	4.411	5.61	8.92	15.4	...	7.83	12.40	21.5	...
1105	1.58	24	2.406	38	3.810	4.35	6.91	12.0	...	6.60	10.40	18.1	...
1094	1.60	30	3.008	48	4.812	6.10	9.70	16.8	...	8.46	13.40	23.2	...
1094	1.60	40	4.010	64	6.416	10.80	17.20	29.8	51.8	11.60	18.40	31.9	55.5
1089	1.61	56	5.614	90	9.023	14.60	23.20	40.0	69.6	16.80	26.50	16.0	80.1
1069	1.64	22	2.206	36	3.609	3.99	6.34	11.0	...	5.99	9.47	16.4	...
1069	1.64	44	4.411	72	7.218	11.80	18.80	32.5	56.4	12.90	20.40	35.4	61.6
1063	1.65	34	3.409	56	5.614	7.67	12.20	21.1	36.7	9.71	15.40	26.6	46.4
1050	1.67	24	2.406	40	4.010	4.35	6.91	12.0	...	6.60	10.40	18.1	...
1050	1.67	48	4.812	80	8.020	12.70	20.30	35.1	60.9	14.20	22.40	38.9	67.7
1039	1.68	38	3.810	64	4.416	10.30	16.40	28.4	49.4	11.00	17.40	30.1	52.4
1034	1.69	26	2.607	44	4.411	4.71	7.48	12.9	...	7.22	11.40	19.8	...
1021	1.71	28	2.807	48	4.812	5.61	8.92	15.4	...	7.83	12.40	21.5	...
Multiply hp rating by belt length factor to determine drive width—BELT LENGTH FACTOR →													



HTS® 8 mm Drive Selection Tables

NOMINAL CENTER DISTANCES																							
BELT LENGTH CODE DESIGNATION																							
536	560	600	640	720	800	880	960	1040	1120	1200	1224	1280	1440	1600	1760	1800	2000	2400	2600	2800	3048		
.8			.9				1.0					1.1				1.2							
...	9.1	10.7	12.3	12.7	13.8	17.0	20.1	23.3	24.1	28.0	35.9	39.8	43.8	48.7		
...	9.3	10.8	11.3	12.4	15.6	18.7	21.9	22.7	26.6	34.5	38.4	42.4	47.2		
...	5.8	7.4	9.0	10.5	12.1	13.7	15.3	16.8	17.3	18.4	21.6	24.7	27.9	28.7	32.6	40.5	44.4	48.3	53.2		
5.2	5.7	6.4	7.2	8.8	10.4	12.0	13.5	15.1	16.7	18.3	18.7	19.8	23.0	26.1	29.3	30.1	34.0	41.9	45.8	49.8	54.6		
6.6	7.1	7.9	8.7	10.2	11.8	13.4	15.0	16.5	18.1	19.7	20.2	21.3	24.4	27.6	30.7	31.5	35.4	43.3	47.2	51.2	56.1		
...	6.3	7.9	9.4	11.0	12.6	14.2	15.7	16.2	17.3	20.5	23.6	26.8	27.6	31.5	39.4	43.3	47.2	52.1		
5.5	6.0	6.8	7.6	9.1	10.7	12.3	13.9	15.4	17.0	18.6	19.1	20.2	23.3	26.5	29.6	30.4	34.3	42.2	46.1	50.1	55.0		
...	7.2	8.8	10.4	11.9	13.5	14.0	15.1	18.3	21.4	24.6	25.3	29.3	37.2	41.1	45.0	49.9		
...	4.9	5.6	6.4	8.0	9.6	11.2	12.7	14.3	15.9	17.5	17.9	19.1	22.2	25.4	28.5	29.3	33.2	41.1	45.0	49.0	53.9		
5.8	6.3	7.1	7.9	9.4	11.0	12.6	14.2	15.7	17.3	18.9	19.4	20.5	23.6	26.8	29.9	30.7	34.6	42.5	46.5	50.4	55.3		
6.1	6.6	7.4	8.2	9.8	11.3	12.9	14.5	16.1	17.6	19.2	19.7	20.8	23.9	27.1	30.2	31.0	35.0	42.8	46.8	50.7	55.6		
5.0	5.5	6.3	7.1	8.6	10.2	11.8	13.4	15.0	16.5	18.1	18.6	19.7	22.8	26.0	29.1	29.9	33.9	41.7	45.7	49.6	54.5		
...	...	5.2	6.0	7.5	9.1	10.7	12.3	13.8	15.4	17.0	17.5	18.6	21.7	24.9	28.0	28.8	32.8	40.6	44.6	48.5	53.4		
...	6.9	8.5	10.0	11.6	13.2	14.8	15.3	16.4	19.5	22.7	25.8	26.6	30.5	38.4	42.4	46.3	51.2		
5.3	5.8	6.6	7.4	9.0	10.5	12.1	13.7	15.3	16.8	18.4	18.9	20.0	23.1	26.3	29.4	30.2	34.2	42.0	46.0	49.9	54.8		
6.4	6.9	7.7	8.5	10.1	11.6	13.2	14.8	16.4	17.9	19.5	20.0	21.1	24.3	27.4	30.6	31.3	35.3	43.1	47.1	51.0	55.9		
...	5.0	5.8	6.6	8.2	9.7	11.3	12.9	14.5	16.1	17.6	18.1	19.2	22.4	25.5	28.7	29.4	33.4	41.3	45.2	49.1	54.0		
5.6	6.1	6.9	7.7	9.3	10.9	12.4	14.0	15.6	17.2	18.7	19.2	20.3	23.5	26.6	29.8	30.5	34.5	42.4	46.3	50.2	55.1		
...	6.6	8.2	9.7	11.3	12.9	14.5	16.0	16.5	17.6	20.8	23.9	27.1	27.9	31.8	39.7	43.6	47.6	52.4		
...	13.1	16.3	19.5	20.3	24.2	32.1	36.0	40.0	44.9		
...	9.8	11.4	11.9	13.0	16.2	19.3	22.5	23.3	27.2	35.1	39.0	43.0	47.9		
...	6.1	7.7	9.3	10.8	12.4	14.0	15.6	17.2	17.6	18.7	21.9	25.0	28.2	29.0	32.9	40.8	44.7	48.7	53.5		
6.0	6.4	7.2	8.0	9.6	11.2	12.7	14.3	15.9	17.5	19.1	19.5	20.6	23.8	26.9	30.1	30.9	34.8	42.7	46.6	50.6	55.4		
5.2	5.6	6.4	7.2	8.8	10.4	12.0	13.5	15.1	16.7	18.3	18.7	19.8	23.0	26.1	29.3	30.1	34.0	41.9	45.8	49.8	54.6		
...	8.1	9.7	11.3	12.9	13.3	14.4	17.6	20.8	23.9	24.7	28.6	36.5	40.5	44.4	49.3		
6.3	6.8	7.5	8.3	9.9	11.5	13.1	14.6	16.2	17.8	19.4	19.8	20.9	24.1	27.2	30.4	31.2	35.1	43.0	46.9	50.9	55.7		
...	7.2	8.8	10.3	11.9	13.5	15.1	15.6	16.7	19.8	23.0	26.1	26.9	30.9	38.7	42.7	46.6	51.5		
5.5	6.0	6.7	7.5	9.1	10.7	12.3	13.8	15.4	17.0	18.6	19.0	20.2	23.3	26.5	29.6	30.4	34.3	42.2	46.1	50.1	55.0		
4.7	5.1	5.9	6.7	8.3	9.9	11.5	13.1	14.6	16.2	17.8	18.3	19.4	22.5	25.7	28.8	29.6	33.5	41.4	45.4	49.3	54.2		
...	6.7	8.3	9.9	11.5	13.0	14.6	16.2	16.7	17.8	20.9	24.1	27.2	28.0	32.0	39.8	43.8	47.7	52.6		
5.8	6.3	7.1	7.9	9.4	11.0	12.6	14.2	15.7	17.3	18.9	19.4	20.5	23.6	26.8	29.9	30.7	34.6	42.5	46.5	50.4	55.3		
...	...	5.5	6.2	7.8	9.4	11.0	12.6	14.2	15.7	17.3	17.8	18.9	22.0	25.2	28.3	29.1	33.1	40.9	44.9	48.8	53.7		
...	7.8	9.4	11.0	12.5	14.1	14.6	15.7	18.9	22.0	25.2	26.0	29.9	37.8	41.7	45.7	50.5		
5.3	5.8	6.6	7.4	8.9	10.5	12.1	13.7	15.3	16.8	18.4	18.9	20.0	23.1	26.3	29.4	30.2	34.2	42.0	46.0	49.9	54.8		
6.1	6.6	7.4	8.2	9.7	11.3	12.9	14.5	16.1	17.6	19.2	19.7	20.8	23.9	27.1	30.2	31.0	35.0	42.8	46.8	50.7	55.6		
...	6.9	8.4	10.0	11.6	13.2	14.8	16.3	16.8	17.9	21.1	24.2	27.4	28.2	32.1	40.0	43.9	47.9	52.7		
...	10.5	13.7	16.9	20.1	20.8	24.8	32.7	36.6	40.6	45.5		
4.8	5.3	6.1	6.9	8.5	10.0	11.6	13.2	14.8	16.4	17.9	18.4	19.5	22.7	25.8	29.0	29.8	33.7	41.6	45.5	49.4	54.3		
5.6	6.1	6.9	7.7	9.3	10.8	12.4	14.0	15.6	17.2	18.7	19.2	20.3	23.5	26.6	29.8	30.5	34.5	42.4	46.3	50.2	55.1		
...	4.8	5.6	6.4	8.0	9.6	11.1	12.7	14.3	15.9	17.5	17.9	19.0	22.2	25.3	28.5	29.3	33.2	41.1	45.0	49.0	53.9		
...	7.5	9.1	10.6	12.2	13.8	15.4	15.9	17.0	20.1	23.3	26.4	27.2	31.2	39.0	43.0	46.9	51.8		
...	8.8	10.4	12.0	12.5	13.6	16.8	19.9	23.1	23.9	27.8	35.7	39.7	43.6	48.5		
5.9	6.4	7.2	8.0	9.6	11.2	12.7	14.3	15.9	17.5	19.0	19.5	20.6	23.8	26.9	30.1	30.9	34.8	42.7	46.6	50.5	55.4		
...	8.1	9.7	11.2	12.8	14.4	14.9	16.0	19.2	22.3	25.5	26.3	30.2	38.1	42.0	46.0	50.8		
...	5.4	7.0	8.6	10.2	11.8	13.3	14.9	16.5	17.0	18.1	21.2	24.4	27.5	28.3	32.3	40.1	44.1	48.0	52.9		
5.5	5.9	6.7	7.5	9.1	10.7	12.3	13.8	15.4	17.0	18.6	19.0	20.1	23.3	26.4	29.6	30.4	34.3	42.2	46.1	50.1	55.0		
...	8.7	10.3	11.9	13.4	13.9	15.0	18.2	21.4	24.5	25.3	29.2	37.1	41.1	45.0	49.9		
...	6.0	7.6	9.2	10.8	12.4	14.0	15.5	16.0	17.1	20.3	23.4	26.6	27.4	31.3	39.2	43.1	47.1	52.0		
5.0	5.4	6.2	7.0	8.6	10.2	11.8	13.4	14.9	16.5	18.1	18.6	19.7	22.8	26.0	29.1	29.9	33.8	41.7	45.7	49.6	54.5		
...	4.9	5.7	6.5	8.1	9.7	11.3	12.9	14.5	16.0	17.6	18.1	19.2	22.3	25.5	28.6	29.4	33.4	41.2	45.2	49.1	54.0		
.8			.9				1.0					1.1				1.2							

PULLEYS

HTS® 8 mm Drive Selection Tables



DN RPM	Drive Ratio	Sprocket Combination				HP Ratings @ 1750 RPM Driver							
		Driver		Driven		RPPTM Belt Widths				RPPTM PLUS Belt Widths			
		No. Teeth	P.D.	No. Teeth	P.D.	20	30	50	85	20	30	50	85
Multiply hp rating by belt length factor to determine drive width—BELT LENGTH FACTOR													
1013	1.73	22	2.206	38	3.810	3.99	6.34	11.0	...	5.99	9.47	16.4	...
1000	1.75	32	3.208	56	5.614	6.72	10.70	18.5	...	9.08	14.40	24.9	...
1000	1.75	64	6.416	112	11.229	16.30	25.90	44.8	77.8	19.30	30.60	53.1	92.5
984	1.78	36	3.609	64	6.416	9.85	15.70	27.1	47.1	10.30	16.40	28.4	49.4
972	1.80	40	4.010	72	7.218	10.80	17.20	29.8	51.8	11.60	18.40	31.9	55.5
972	1.80	80	8.020	144	14.437	19.40	30.80	53.3	92.7	24.40	38.70	67.2	117.0
963	1.82	22	2.206	40	4.010	3.99	6.34	11.0	...	5.99	9.47	16.4	...
963	1.82	44	4.411	80	8.020	11.80	18.80	32.5	56.4	12.90	20.40	35.4	61.6
955	1.83	24	2.406	44	4.411	4.35	6.91	12.0	...	6.60	10.40	18.1	...
948	1.85	26	2.607	48	4.812	4.71	7.48	12.9	...	7.22	11.40	19.8	...
938	1.87	30	3.008	56	5.614	6.10	9.70	16.8	...	8.46	13.40	23.2	...
933	1.88	48	4.812	90	9.023	12.70	20.30	35.1	60.9	14.20	22.40	38.9	67.7
930	1.88	34	3.409	64	6.416	7.67	12.20	21.1	36.7	9.71	15.40	26.6	46.4
924	1.89	38	3.810	72	7.218	10.30	16.40	28.4	49.4	11.00	17.40	30.1	52.4
875	2.00	22	2.206	44	4.411	3.99	6.34	11.0	...	5.99	9.47	16.4	...
875	2.00	24	2.406	48	4.812	4.35	6.91	12.0	...	6.60	10.40	18.1	...
875	2.00	28	2.807	56	5.614	5.61	8.92	15.4	...	7.83	12.40	21.5	...
875	2.00	32	3.208	64	6.416	6.72	10.70	18.5	...	9.08	14.40	24.9	...
875	2.00	36	3.609	72	7.218	9.85	15.70	27.1	47.1	10.30	16.40	28.4	49.4
875	2.00	40	4.010	80	8.020	10.80	17.20	29.8	51.8	11.60	18.40	31.9	55.5
875	2.00	56	5.614	112	11.229	14.60	23.20	40.0	69.6	16.80	26.50	46.0	80.1
875	2.00	72	7.218	144	14.437	17.90	28.40	49.2	85.5	21.90	34.70	60.2	105.0
856	2.05	44	4.411	90	9.023	11.80	18.80	32.5	56.4	12.90	20.40	35.4	61.6
831	2.11	38	3.810	80	8.020	10.30	16.40	28.4	49.4	11.00	17.40	30.1	52.4
826	2.12	34	3.409	72	7.218	7.67	12.20	21.1	36.7	9.71	15.40	26.6	46.4
820	2.13	30	3.008	64	6.416	6.10	9.70	16.8	...	8.46	13.40	23.2	...
813	2.15	26	2.607	56	5.614	4.71	7.48	12.9	...	7.22	11.40	19.8	...
802	2.18	22	2.206	48	4.812	3.99	6.34	11.0	...	5.99	9.47	16.4	...
788	2.22	36	3.609	80	8.020	9.85	15.70	27.1	47.1	10.30	16.40	28.4	49.4
778	2.25	32	3.208	72	7.218	6.72	10.70	18.5	...	9.08	14.40	24.9	...
778	2.25	40	4.010	90	9.023	10.80	17.20	29.8	51.8	11.60	18.40	31.9	55.5
778	2.25	64	6.416	144	14.437	16.30	25.90	44.8	77.8	19.30	30.60	53.1	92.5
766	2.29	28	2.807	64	6.416	5.61	8.92	15.4	...	7.83	12.40	21.5	...
750	2.33	24	2.406	56	5.614	4.35	6.91	12.0	...	6.60	10.40	18.1	...
750	2.33	48	4.812	112	11.229	12.70	20.30	35.1	60.9	14.20	22.40	38.9	67.7
744	2.35	34	3.409	80	8.020	7.67	12.20	21.1	36.7	9.71	15.40	26.6	46.4
739	2.37	38	3.810	90	9.023	10.30	16.40	28.4	49.4	11.00	17.40	30.1	52.4
729	2.40	30	3.008	72	7.218	6.10	9.70	16.8	...	8.46	13.40	23.2	...
729	2.40	80	8.020	192	19.249	19.40	30.80	53.3	92.7	24.40	38.70	67.2	117.0
711	2.46	26	2.607	64	6.416	4.71	7.48	12.9	...	7.22	11.40	19.8	...
700	2.50	32	3.208	80	8.020	6.72	10.70	18.5	...	9.08	14.40	24.9	...
700	2.50	36	3.609	90	9.023	9.85	15.70	27.1	47.1	10.30	16.40	28.4	49.4
688	2.55	22	2.206	56	5.614	3.99	6.34	11.0	...	5.99	9.47	16.4	...
688	2.55	44	4.411	112	11.229	11.80	18.80	32.5	56.4	12.90	20.40	35.4	61.6
681	2.57	28	2.807	72	7.218	5.61	8.92	15.4	...	7.83	12.40	21.5	...
681	2.57	56	5.614	144	14.437	14.60	23.20	40.0	69.6	16.80	26.50	46.0	80.1
661	2.65	34	3.409	90	9.023	7.67	12.20	21.1	36.7	9.71	15.40	26.6	46.4
656	2.67	24	2.406	64	6.416	4.35	6.91	12.0	...	6.60	10.40	18.1	...
656	2.67	30	3.008	80	8.020	6.10	9.70	16.8	...	8.46	13.40	23.2	...
656	2.67	72	7.218	192	19.249	17.90	28.40	49.2	85.5	21.90	34.70	60.2	105.0
Multiply hp rating by belt length factor to determine drive width—BELT LENGTH FACTOR →													

PULLEYS



HTS® 8 mm Drive Selection Tables

NOMINAL CENTER DISTANCES																						
BELT LENGTH CODE DESIGNATION																						
560	600	640	720	800	880	960	1040	1120	1200	1224	1280	1440	1600	1760	1800	2000	2400	2600	2800	3048	3280	
.8		.9				1.0					1.1				1.2							
6.2	7.0	7.8	9.4	11.0	12.6	14.2	15.7	17.3	18.9	19.4	20.5	23.6	26.8	29.9	30.7	34.6	42.5	46.5	50.4	55.3	59.8	
...	...	5.5	7.1	8.7	10.3	11.9	13.5	15.1	16.6	17.1	18.2	21.4	24.5	27.7	28.5	32.4	40.3	44.2	48.2	53.1	57.6	
...	9.9	11.1	14.3	17.5	20.6	21.4	25.4	33.3	37.2	41.2	46.1	50.7	
...	6.1	7.7	9.3	10.9	12.5	14.1	15.7	16.2	17.3	20.4	23.6	26.7	27.5	31.5	39.3	43.3	47.2	52.1	56.7	
...	6.7	8.3	9.9	11.5	13.1	14.7	15.2	16.3	19.5	22.6	25.8	26.2	30.5	38.4	42.3	46.3	51.2	55.7	
...	13.5	16.7	17.5	21.5	29.4	33.4	37.3	42.2	46.8	
6.1	6.9	7.7	9.2	10.8	12.4	14.0	15.6	17.1	18.7	19.2	20.3	23.4	26.6	29.8	30.5	34.5	42.4	46.3	50.2	55.1	59.7	
...	7.3	8.9	10.5	12.1	13.7	14.2	15.3	18.5	21.7	24.8	25.6	29.6	37.4	41.4	45.3	50.2	54.8	
5.6	6.4	7.2	8.8	10.3	11.9	13.5	15.1	16.7	18.2	18.7	19.8	23.0	26.1	29.3	30.1	34.0	41.9	45.8	49.8	54.6	59.2	
5.1	5.9	6.7	8.3	9.9	11.4	13.0	14.6	16.2	17.8	18.2	19.3	22.5	25.6	28.8	29.6	33.5	41.4	45.3	49.3	54.2	58.7	
...	...	5.7	7.3	8.9	10.5	12.1	13.6	15.2	16.8	17.3	18.4	21.5	24.7	27.8	28.6	32.6	40.5	44.4	48.3	53.2	57.8	
...	7.7	9.4	11.0	12.6	13.1	14.2	17.3	20.5	23.7	24.5	28.4	36.3	40.3	44.2	49.1	53.7	
...	6.3	7.9	9.5	11.1	12.7	14.2	15.8	16.3	17.4	20.6	23.7	26.9	27.7	31.6	39.5	43.4	47.4	52.3	56.8	
...	6.9	8.5	10.1	11.7	13.3	14.9	15.3	16.4	19.6	22.8	25.9	26.7	30.7	38.5	42.5	46.4	51.3	55.9	
5.7	6.5	7.3	8.9	10.5	12.1	13.7	15.2	16.8	18.4	18.9	20.0	23.1	26.3	29.4	30.2	34.2	42.0	46.0	49.9	54.8	59.4	
5.2	6.0	6.8	8.4	10.0	11.6	13.2	14.8	16.3	17.9	18.4	19.5	22.6	25.8	29.0	29.7	33.7	41.6	45.5	49.4	54.3	58.9	
...	5.0	5.8	7.4	9.0	10.6	12.2	13.8	15.4	16.9	17.4	18.5	21.7	24.8	28.0	28.8	32.7	40.6	44.5	48.5	53.4	57.9	
...	6.4	8.0	9.6	11.2	12.8	14.4	16.0	16.5	17.6	20.7	23.9	27.0	27.8	31.8	39.7	43.6	47.5	52.4	57.0	
...	7.0	8.6	10.2	11.8	13.4	15.0	15.5	16.6	19.8	22.9	26.1	26.9	30.8	38.7	42.6	46.6	51.5	56.0	
...	7.6	9.2	10.8	12.4	14.0	14.5	15.6	18.8	22.0	25.1	25.9	29.9	37.7	41.7	45.6	50.5	55.1	
...	10.0	10.5	11.6	14.8	18.0	21.2	22.0	26.0	33.9	37.8	41.8	46.7	51.3	
...	14.0	17.2	18.0	22.1	30.0	34.0	37.9	42.8	47.4	
...	8.0	9.6	11.2	12.9	13.3	14.5	17.6	20.8	24.0	24.8	28.7	36.6	40.6	44.5	49.4	54.0	
...	7.7	9.4	11.0	12.6	14.2	14.6	15.8	18.9	22.1	25.3	26.1	30.0	37.9	41.8	45.8	50.7	55.2	
...	7.1	8.8	10.4	12.0	13.6	15.2	15.6	16.7	19.9	23.1	26.2	27.0	31.0	38.9	42.8	46.7	51.6	56.2	
...	6.5	8.2	9.8	11.4	13.0	14.5	16.1	16.6	17.7	20.9	24.0	27.2	28.0	31.9	39.8	43.7	47.7	52.6	57.1	
...	5.1	5.9	7.6	9.2	10.8	12.3	13.9	15.5	17.1	17.6	18.7	21.8	25.0	28.1	28.9	32.9	40.8	44.7	48.6	53.5	58.1	
5.3	6.2	7.0	8.6	10.1	11.7	13.3	14.9	16.5	18.1	18.5	19.6	22.8	26.0	29.1	29.9	33.8	41.7	45.7	49.6	54.5	59.0	
...	7.9	9.5	11.1	12.7	14.3	14.8	15.9	19.1	22.2	25.4	26.2	30.2	38.0	42.0	45.9	50.8	55.4	
...	7.3	8.9	10.5	12.1	13.7	15.3	15.8	16.9	20.1	23.2	26.4	27.2	31.1	39.0	42.9	46.9	51.8	56.3	
...	8.3	9.9	11.5	13.1	13.6	14.7	17.9	21.1	24.3	25.1	29.0	36.9	40.9	44.8	49.7	54.3	
...	11.2	14.5	17.8	18.6	22.6	30.6	34.6	38.5	43.4	48.0	
...	6.7	8.3	9.9	11.5	13.1	14.7	16.3	16.7	17.9	21.0	24.2	27.3	28.1	32.1	40.0	43.9	47.8	52.7	57.3	
...	5.3	6.1	7.7	9.3	10.9	12.5	14.1	15.7	17.2	17.7	18.8	22.0	25.1	28.3	29.1	33.0	40.9	44.9	48.8	53.7	58.2	
...	8.9	10.5	11.0	12.2	15.4	18.6	21.8	22.6	26.6	34.5	38.4	42.4	47.3	51.9	
...	8.0	9.6	11.2	12.9	14.5	14.9	16.0	19.2	22.4	25.6	26.4	30.3	38.2	42.1	46.1	51.0	55.5	
...	8.4	10.0	11.7	13.3	13.8	14.9	18.1	21.2	24.4	25.2	29.2	37.1	41.0	45.0	49.9	54.4	
...	7.4	9.0	10.6	12.3	13.8	15.4	15.9	17.0	20.2	23.4	26.5	27.3	31.3	39.2	43.1	47.0	51.9	56.5	
...	17.0	25.2	29.2	33.2	38.1	42.8	
...	6.8	8.4	10.0	11.6	13.2	14.8	16.4	16.9	18.0	21.2	24.3	27.5	28.3	32.2	40.1	44.1	48.0	52.9	57.4	
...	6.5	8.1	9.8	11.4	13.0	14.6	15.1	16.2	19.4	22.5	25.7	26.5	30.5	38.3	42.3	46.2	51.1	55.7	
...	8.5	10.2	11.8	13.4	13.9	15.0	18.2	21.4	24.6	25.4	29.3	37.2	41.2	45.1	50.0	54.6	
...	5.4	6.2	7.8	9.4	11.0	12.6	14.2	15.8	17.4	17.9	19.0	22.1	25.3	28.5	29.2	33.2	41.1	45.0	48.9	53.8	58.4	
...	9.1	10.8	11.3	12.4	15.7	18.9	22.1	22.9	26.9	34.8	38.7	42.7	47.6	52.2	
...	5.9	7.5	9.2	10.8	12.4	14.0	15.6	16.1	17.2	20.3	23.5	26.7	27.5	31.4	39.3	43.2	47.2	52.1	56.7	
...	11.8	15.1	18.3	19.2	23.2	31.2	35.1	39.1	44.0	48.6	
...	7.0	8.7	10.3	11.9	13.6	14.0	15.2	18.4	21.5	24.7	25.5	29.5	37.4	41.3	45.3	50.2	54.7	
...	...	5.3	6.9	8.6	10.2	11.8	13.4	15.0	16.6	17.0	18.2	21.3	24.5	27.6	28.4	32.4	40.3	44.2	48.1	53.0	57.6	
...	6.6	8.3	9.9	11.5	13.1	14.7	15.2	16.3	19.5	22.7	25.9	26.6	30.6	38.5	42.4	46.4	51.3	55.8	
...	17.5	25.7	29.8	33.8	38.7	43.3	
.8	.9				1.0					1.1				1.2								

PULLEYS

HTS® 8 mm Drive Selection Tables



DN RPM	Drive Ratio	Sprocket Combination				HP Ratings @ 1750 RPM Driver							
		Driver		Driven		RPP™ Belt Widths				RPP™ PLUS Belt Widths			
		No. Teeth	P.D.	No. Teeth	P.D.	20	30	50	85	20	30	50	85
Multiply hp rating by belt length factor to determine drive width—BELT LENGTH FACTOR →													
632	2.77	26	2.607	72	7.218	4.71	7.48	12.9	...	7.22	11.40	19.8	...
625	2.80	40	4.010	112	11.229	10.80	17.20	29.8	51.8	11.60	18.40	31.9	55.5
622	2.81	32	3.208	90	9.023	6.72	10.70	18.5	...	9.08	14.40	24.9	...
613	2.86	28	2.807	80	8.020	5.61	8.92	15.4	...	7.83	12.40	21.5	...
602	2.91	22	2.206	64	6.416	3.99	6.34	11.0	...	5.99	9.47	16.4	...
594	2.95	38	3.810	112	11.229	10.30	16.40	28.4	49.4	11.00	17.40	30.1	52.4
583	3.00	24	2.406	72	7.218	4.35	6.91	12.0	...	6.60	10.40	18.1	...
583	3.00	30	3.008	90	9.023	6.10	9.70	16.8	...	8.46	13.40	23.2	...
583	3.00	48	4.812	144	14.437	12.70	20.30	35.1	60.9	14.20	22.40	38.9	67.7
583	3.00	64	6.416	192	19.249	16.30	25.90	44.8	77.8	19.30	30.60	53.1	92.5
569	3.08	26	2.607	80	8.020	4.71	7.48	12.9	...	7.22	11.40	19.8	...
563	3.11	36	3.609	112	11.229	9.85	15.70	27.1	47.1	10.30	16.40	28.4	49.4
544	3.21	28	2.807	90	9.023	5.61	8.92	15.4	...	7.83	12.40	21.5	...
535	3.27	22	2.206	72	7.218	3.99	6.34	11.0	...	5.99	9.47	16.4	...
535	3.27	44	4.411	144	14.437	11.80	18.80	32.5	56.4	12.90	20.40	35.4	61.6
531	3.29	34	3.409	112	11.229	7.67	12.20	21.1	36.7	9.71	15.40	26.6	46.4
525	3.33	24	2.406	80	8.020	4.35	6.91	12.0	...	6.60	10.40	18.1	...
510	3.43	56	5.614	192	19.249	14.60	23.20	40.0	69.6	16.80	26.50	46.0	80.1
506	3.46	26	2.607	90	9.023	4.71	7.48	12.9	...	7.22	11.40	19.8	...
500	3.50	32	3.208	112	11.229	6.72	10.70	18.5	...	9.08	14.40	24.9	...
486	3.60	40	4.010	144	14.437	10.80	17.20	29.8	51.8	11.60	18.40	31.9	55.5
481	3.64	22	2.206	80	8.020	3.99	6.34	11.0	...	5.99	9.47	16.4	...
469	3.73	30	3.008	112	11.229	6.10	9.70	16.8	...	8.46	13.40	23.2	...
467	3.75	24	2.406	90	9.023	4.35	6.91	12.0	...	6.60	10.40	18.1	...
462	3.79	38	3.810	144	14.437	10.30	16.40	28.4	49.4	11.00	17.40	30.1	52.4
438	4.00	28	2.807	112	11.229	5.61	8.92	15.4	...	7.83	12.40	21.5	...
438	4.00	36	3.609	144	14.437	9.85	15.70	27.1	47.1	10.30	16.40	28.4	49.4
438	4.00	48	4.812	192	19.249	12.70	20.30	35.1	60.9	14.20	22.40	38.9	67.7
428	4.09	22	2.206	90	9.023	3.99	6.34	11.0	...	5.99	9.47	16.4	...
413	4.24	34	3.409	144	14.437	7.67	12.20	21.1	36.7	9.71	15.40	26.6	46.4
406	4.31	26	2.607	112	11.229	4.71	7.48	12.9	...	7.22	11.40	19.8	...
401	4.36	44	4.411	192	19.249	11.80	18.80	32.5	56.4	12.90	20.40	35.4	61.6
389	4.50	32	3.208	144	14.437	6.72	10.70	18.5	...	9.08	14.40	24.9	...
375	4.67	24	2.406	112	11.229	4.35	6.91	12.0	...	6.60	10.40	18.1	...
365	4.80	30	3.008	144	14.437	6.10	9.70	16.8	...	8.46	13.40	23.2	...
365	4.80	40	4.010	192	19.249	10.80	17.20	29.8	51.8	11.60	18.40	31.9	55.5
346	5.05	38	3.810	192	19.249	10.30	16.40	28.4	49.4	11.00	17.40	30.1	52.4
344	5.09	22	2.206	112	11.229	3.99	6.34	11.0	...	5.99	9.47	16.4	...
340	5.14	28	2.807	144	14.437	5.61	8.92	15.4	...	7.83	12.40	21.5	...
328	5.33	36	3.609	192	19.249	9.85	15.7	27.1	47.1	10.30	16.40	28.4	49.4
316	5.54	26	2.607	144	14.437	4.71	7.48	12.9	...	7.22	11.40	19.8	...
310	5.65	34	3.409	192	19.249	7.67	12.20	21.1	36.7	9.71	15.40	26.6	46.4
292	6.00	24	2.406	144	14.437	4.35	6.91	12.0	...	6.60	10.40	18.1	...
292	6.00	32	3.208	192	19.249	6.72	10.70	18.5	...	9.08	14.40	24.9	...
273	6.40	30	3.008	192	19.249	6.10	9.70	16.8	...	8.46	13.40	23.2	...
267	6.55	22	2.206	144	14.437	3.99	6.34	11.0	...	5.99	9.47	16.4	...
255	6.86	28	2.807	192	19.249	5.61	8.92	15.4	...	7.83	12.40	21.5	...
237	7.38	26	2.607	192	19.249	4.71	7.48	12.9	...	7.22	11.40	19.8	...
219	8.00	24	2.406	192	19.249	4.35	6.91	12.0	...	6.60	10.40	18.1	...
201	8.73	22	2.206	192	19.249	3.99	6.34	11.0	...	5.99	9.47	16.4	...
Multiply hp rating by belt length factor to determine drive width—BELT LENGTH FACTOR →													



HTS® 8 mm Drive Selection Tables

NOMINAL CENTER DISTANCES																						
BELT LENGTH CODE DESIGNATION																						
720	800	880	960	1040	1120	1200	1224	1280	1440	1600	1760	1800	2000	2400	2600	2800	3048	3280	3600	4400	1195	
.9			1.0					1.1				1.2										
6.0	7.7	9.3	10.9	12.5	14.1	15.7	16.2	17.3	20.5	23.7	26.8	27.6	31.6	39.5	43.4	43.4	52.2	56.8	63.1	78.9		
...	9.4	11.1	11.5	12.7	16.0	19.2	22.4	23.2	27.1	35.1	39.0	39.0	47.9	52.5	58.8	74.6		
...	...	7.1	8.8	10.4	12.1	13.7	14.2	15.3	18.5	21.7	24.9	25.7	29.6	37.5	41.5	45.4	50.3	54.9	61.2	77.0		
...	6.7	8.4	10.0	11.7	13.3	14.9	15.4	16.5	19.7	22.8	26.0	26.8	30.8	38.6	42.6	46.5	51.4	56.0	62.3	78.1		
7.1	8.7	10.3	11.9	13.5	15.1	16.7	17.2	18.3	21.5	24.6	27.8	28.6	32.5	40.4	44.4	48.3	53.2	57.8	64.1	79.8		
...	9.5	11.2	11.7	12.8	16.1	19.3	22.5	23.3	27.3	35.2	39.2	43.1	48.0	52.6	58.9	74.7		
6.1	7.8	9.4	11.1	12.7	14.3	15.9	16.3	17.5	20.6	23.8	27.0	27.8	31.7	39.6	43.6	47.5	52.4	57.0	63.3	79.0		
...	...	7.3	8.9	10.6	12.2	13.8	14.3	15.4	18.6	21.8	25.0	25.8	29.8	37.7	41.6	45.6	50.5	55.0	61.3	77.1		
...	12.3	15.6	18.9	19.7	23.7	31.7	35.7	39.7	44.6	49.2	55.5	71.3		
...	13.8	18.1	26.3	30.3	34.3	39.3	43.9	50.3	66.1		
...	6.9	8.5	10.2	11.8	13.4	15.0	15.5	16.6	19.8	23.0	26.2	26.9	30.9	38.8	42.7	46.7	51.6	56.2	62.5	78.2		
...	9.6	11.3	11.8	13.0	16.2	19.4	22.7	23.5	27.4	35.4	39.3	43.3	48.2	52.8	59.1	74.9		
...	...	7.4	9.1	10.7	12.3	14.0	14.5	15.6	18.8	22.0	25.2	25.9	29.9	37.8	41.8	45.7	50.6	55.2	61.5	77.3		
6.3	7.9	9.6	11.2	12.8	14.4	16.0	16.5	17.6	20.8	24.0	27.1	27.9	31.9	39.8	43.7	47.6	52.5	57.1	63.4	79.2		
...	12.5	15.9	19.2	20.0	24.0	32.0	36.0	40.0	44.9	49.5	55.8	71.6		
...	9.8	11.4	11.9	13.1	16.4	19.6	22.8	23.6	27.6	35.5	39.5	43.4	48.3	52.9	59.2	75.0		
...	7.0	8.7	10.3	11.9	13.6	15.2	15.6	16.8	19.9	23.1	26.3	27.1	31.0	38.9	42.9	46.8	51.7	56.3	62.6	78.4		
...	13.5	14.3	18.6	26.8	30.9	34.9	39.9	44.5	50.9	66.7		
...	...	7.5	9.2	10.8	12.5	14.1	14.6	15.7	18.9	22.1	25.3	26.1	30.1	38.0	41.9	45.9	50.8	55.3	61.6	77.4		
...	8.2	9.9	11.6	12.1	13.2	16.5	19.7	22.9	23.7	27.7	35.7	39.6	43.6	48.5	53.1	59.4	75.2		
...	12.8	16.1	19.4	20.2	24.3	32.3	36.3	40.3	45.2	49.8	56.1	71.9		
...	7.1	8.8	10.4	12.1	13.7	15.3	15.8	16.9	20.1	23.3	26.4	27.2	31.2	39.1	43.0	47.0	51.9	56.5	62.8	78.5		
...	8.3	10.0	11.7	12.2	13.4	16.6	19.9	23.1	23.9	27.9	35.8	39.8	43.7	48.6	53.2	59.5	75.3		
...	...	7.6	9.3	11.0	12.6	14.2	14.7	15.9	19.1	22.3	25.4	26.2	30.2	38.1	42.1	46.0	50.9	55.5	61.8	77.6		
...	12.9	16.3	19.6	20.4	24.4	32.5	36.4	40.4	45.3	49.9	56.3	72.1		
...	8.4	10.2	11.8	12.3	13.5	16.8	20.0	23.2	24.0	28.0	36.0	39.9	43.9	48.8	53.4	59.7	75.5		
...	13.1	16.4	19.7	20.5	24.6	32.6	36.6	40.6	45.5	50.1	56.4	72.2		
...	14.0	14.8	19.1	27.4	31.4	35.4	40.4	45.1	51.4	67.3		
...	...	7.8	9.5	11.1	12.8	14.4	14.9	16.0	19.2	22.4	25.6	26.4	30.3	38.3	42.2	46.2	51.1	55.6	61.9	77.7		
...	9.7	13.2	16.5	19.8	20.7	24.7	32.7	36.7	40.7	45.6	50.2	56.6	72.4		
...	8.6	10.3	12.0	12.5	13.6	16.9	20.1	23.4	24.2	28.2	36.1	40.1	44.0	48.9	53.5	59.8	75.6		
...	14.2	15.1	19.4	27.6	31.7	35.7	40.7	45.3	51.7	67.6		
...	9.8	13.3	16.7	20.0	20.8	24.8	32.9	36.9	40.9	45.8	50.4	56.7	72.5		
...	8.7	10.4	12.1	12.6	13.8	17.0	20.3	23.5	24.3	28.3	36.3	40.2	44.2	49.1	53.7	60.0	75.8		
...	10.0	13.4	16.8	20.1	20.9	25.0	33.0	37.0	41.0	45.9	50.5	56.9	72.7		
...	14.5	15.3	19.6	27.9	32.0	36.0	41.0	45.6	52.0	67.9		
...	14.6	15.5	19.7	28.0	32.1	36.1	41.1	45.8	52.1	68.0		
...	8.8	10.5	12.2	12.7	13.9	17.2	20.4	23.6	24.4	28.4	36.4	40.4	44.3	49.2	53.8	60.1	75.9		
...	10.1	13.6	16.9	20.2	21.1	25.1	33.2	37.2	41.1	46.1	50.7	57.0	72.8		
...	14.7	15.6	19.9	28.2	32.2	36.3	41.3	45.9	52.3	68.2		
...	10.2	13.7	17.1	20.4	21.2	25.3	33.3	37.3	41.3	46.2	50.8	57.2	73.0		
...	14.8	15.7	20.0	28.3	32.4	36.4	41.4	46.0	52.4	68.3		
...	10.3	13.8	17.2	20.5	21.3	25.4	33.4	37.4	41.4	46.4	51.0	57.3	73.1		
...	15.0	15.8	20.1	28.4	32.5	36.6	41.5	46.2	52.6	68.5		
...	15.1	16.0	20.3	28.6	32.6	36.7	41.7	46.3	52.7	68.6		
...	9.2	10.5	13.9	17.3	20.6	21.5	25.5	33.6	37.6	41.6	46.5	51.1	57.4	73.3		
...	15.2	16.1	20.4	28.7	32.8	36.8	41.8	46.5	52.9	68.8		
...	11.7	15.3	16.2	20.5	28.8	32.9	37.0	42.0	46.6	53.0	68.9		
...	11.8	15.5	16.3	20.6	29.0	33.1	37.1	42.1	46.8	53.1	69.1		
...	12.0	15.6	16.5	20.8	29.1	33.2	37.2	42.2	46.9	53.3	69.2		
.9			1.0					1.1				1.2										

PULLEYS

HTS® 8 mm Drive Selection Tables



DN RPM	Drive Ratio	Sprocket Combination				HP Ratings @ 1160 RPM Driver							
		Driver		Driven		RPP™ Belt Widths				RPP™ PLUS Belt Widths			
		No. Teeth	P.D.	No. Teeth	P.D.	20	30	50	85	20	30	50	85
Multiply hp rating by belt length factor to determine drive width—BELT LENGTH FACTOR →													
1160	1.00	22	2.206	22	2.206	2.65	4.21	7.28	...	4.41	6.97	12.1	...
1160	1.00	24	2.406	24	2.406	2.89	4.59	7.94	...	4.86	7.68	13.3	...
1160	1.00	26	2.607	26	2.607	3.13	4.97	8.60	...	5.32	8.40	14.6	...
1160	1.00	28	2.807	28	2.807	3.73	5.93	10.30	...	5.78	9.13	15.8	...
1160	1.00	30	3.008	30	3.008	4.07	6.46	11.20	...	6.24	9.86	17.1	...
1160	1.00	32	3.208	32	3.208	4.68	7.45	12.90	...	6.70	10.60	18.4	...
1160	1.00	34	3.409	34	3.409	5.35	8.50	14.70	25.6	7.17	11.30	19.7	34.2
1160	1.00	36	3.609	36	3.609	6.87	10.90	18.90	32.8	7.64	12.10	20.9	36.5
1160	1.00	38	3.810	38	3.810	7.22	11.50	19.80	34.5	8.12	12.80	22.2	38.7
1160	1.00	40	4.010	40	4.010	7.56	12.00	20.80	36.2	8.59	13.60	23.6	41.0
1160	1.00	44	4.411	44	4.411	8.25	13.10	22.70	39.4	9.55	15.10	26.2	45.6
1160	1.00	48	4.812	48	4.812	8.92	14.20	24.50	42.7	10.50	16.60	28.8	50.2
1160	1.00	56	5.614	56	5.614	10.20	16.30	28.10	48.9	12.50	19.70	34.2	59.6
1160	1.00	64	6.416	64	6.416	11.50	18.20	31.60	54.9	14.50	22.80	39.6	69.0
1160	1.00	72	7.218	72	7.218	12.70	20.10	34.80	60.6	16.40	26.00	45.1	78.5
1160	1.00	80	8.020	80	8.020	13.80	21.90	38.00	66.0	18.40	29.20	50.6	88.1
1102	1.05	38	3.810	40	4.010	7.22	11.50	19.80	34.5	8.12	12.80	22.2	38.7
1099	1.06	36	3.609	38	3.810	6.87	10.90	18.90	32.8	7.64	12.10	20.9	36.5
1096	1.06	34	3.409	36	3.609	5.35	8.50	14.70	25.6	7.17	11.30	19.7	34.2
1092	1.06	32	3.208	34	3.409	4.68	7.45	12.90	...	6.70	10.60	18.4	...
1088	1.07	30	3.008	32	3.208	4.07	6.46	11.20	...	6.24	9.86	17.1	...
1083	1.07	28	2.807	30	3.008	3.73	5.93	10.30	...	5.78	9.13	15.8	...
1077	1.08	26	2.607	28	2.807	3.13	4.97	8.60	...	5.32	8.40	14.6	...
1071	1.08	24	2.406	26	2.607	2.89	4.59	7.94	...	4.86	7.68	13.3	...
1063	1.09	22	2.206	24	2.406	2.65	4.21	7.28	...	4.41	6.97	12.1	...
1063	1.09	44	4.411	48	4.812	8.25	13.10	22.70	39.4	9.55	15.10	26.2	45.6
1055	1.10	40	4.010	44	4.411	7.56	12.00	20.80	36.2	8.59	13.60	23.6	41.0
1044	1.11	36	3.609	40	4.010	6.87	10.90	18.90	32.8	7.64	12.10	20.9	36.5
1044	1.11	72	7.218	80	8.020	12.70	20.10	34.80	60.6	16.40	26.00	45.1	78.5
1038	1.12	34	3.409	38	3.810	5.35	8.50	14.70	25.6	7.17	11.30	19.7	34.2
1031	1.13	32	3.208	36	3.609	4.68	7.45	12.90	...	6.70	10.60	18.4	...
1031	1.13	64	6.416	72	7.218	11.50	18.20	31.60	54.9	14.50	22.80	39.6	69.0
1031	1.13	80	8.020	90	9.023	13.80	21.90	38.00	66.0	18.40	29.20	50.6	88.1
1024	1.13	30	3.008	34	3.409	4.07	6.46	11.20	...	6.24	9.86	17.1	...
1015	1.14	28	2.807	32	3.208	3.73	5.93	10.30	...	5.78	9.13	15.8	...
1015	1.14	56	5.614	64	6.416	10.20	16.30	28.10	48.9	12.50	19.70	34.2	59.6
1005	1.15	26	2.607	30	3.008	3.13	4.97	8.60	...	5.32	8.40	14.6	...
1002	1.16	38	3.810	44	4.411	7.22	11.50	19.80	34.5	8.12	12.80	22.2	38.7
994	1.17	24	2.406	28	2.807	2.89	4.59	7.94	...	4.86	7.68	13.3	...
994	1.17	48	4.812	56	5.614	8.92	14.20	24.50	42.7	10.50	16.60	28.8	50.2
986	1.18	34	3.409	40	4.010	5.35	8.50	14.70	25.6	7.17	11.30	19.7	34.2
982	1.18	22	2.206	26	2.607	2.65	4.21	7.28	...	4.41	6.97	12.1	...
977	1.19	32	3.208	38	3.810	4.68	7.45	12.90	...	6.70	10.60	18.4	...
967	1.20	30	3.008	36	3.609	4.07	6.46	11.20	...	6.24	9.86	17.1	...
967	1.20	40	4.010	48	4.812	7.56	12.00	20.80	36.2	8.59	13.60	23.6	41.0
955	1.21	28	2.807	34	3.409	3.73	5.93	10.30	...	5.78	9.13	15.8	...
949	1.22	36	3.609	44	4.411	6.87	10.90	18.90	32.8	7.64	12.10	20.9	36.5
943	1.23	26	2.607	32	3.208	3.13	4.97	8.60	...	5.32	8.40	14.6	...
928	1.25	24	2.406	30	3.008	2.89	4.59	7.94	...	4.86	7.68	13.3	...
928	1.25	32	3.208	40	4.010	4.68	7.45	12.90	...	6.70	10.60	18.4	...
Multiply hp rating by belt length factor to determine drive width—BELT LENGTH FACTOR →													

PULLEYS



HTS® 8 mm Drive Selection Tables

NOMINAL CENTER DISTANCES																								
BELT LENGTH CODE DESIGNATION																								
480	536	560	600	640	720	800	880	960	1040	1120	1200	1224	1280	1440	1600	1760	1800	2000	2400	2600	2800			
.8				.9				1.0					1.1				1.2							
6.0	7.1	7.6	8.3	9.1	10.7	12.3	13.9	15.4	17.0	18.6	20.2	20.6	21.7	24.9	28.0	31.2	32.0	35.9	43.8	47.7	51.7			
5.7	6.8	7.2	8.0	8.8	10.4	12.0	13.5	15.1	16.7	18.3	19.8	20.3	21.4	24.6	27.7	30.9	31.7	35.6	43.5	47.4	51.3			
5.4	6.5	6.9	7.7	8.5	10.1	11.7	13.2	14.8	16.4	18.0	19.5	20.0	21.1	24.3	27.4	30.6	31.3	35.3	43.2	47.1	51.0			
5.0	6.1	6.6	7.4	8.2	9.8	11.3	12.9	14.5	16.1	17.6	19.2	19.7	20.8	23.9	27.1	30.2	31.0	35.0	42.8	46.8	50.7			
4.7	5.8	6.3	7.1	7.9	9.5	11.0	12.6	14.2	15.8	17.3	18.9	19.4	20.5	23.6	26.8	29.9	30.7	34.6	42.5	46.5	50.4			
4.4	5.5	6.0	6.8	7.6	9.1	10.7	12.3	13.9	15.4	17.0	18.6	19.1	20.2	23.3	26.5	29.6	30.4	34.3	42.2	46.1	50.1			
...	5.2	5.7	6.5	7.2	8.8	10.4	12.0	13.5	15.1	16.7	18.3	18.7	19.8	23.0	26.1	29.3	30.1	34.0	41.9	45.8	49.8			
...	4.9	5.4	6.1	6.9	8.5	10.1	11.7	13.2	14.8	16.4	18.0	18.4	19.5	22.7	25.8	29.0	29.8	33.7	41.6	45.5	49.5			
...	4.6	5.0	5.8	6.6	8.2	9.8	11.3	12.9	14.5	16.1	17.6	18.1	19.2	22.4	25.5	28.7	29.5	33.4	41.3	45.2	49.1			
...	5.5	6.3	7.9	9.5	11.0	12.6	14.2	15.8	17.3	17.8	18.9	22.1	25.2	28.3	29.1	33.1	40.9	44.9	48.8			
...	5.7	7.2	8.8	10.4	12.0	13.5	15.1	16.7	17.2	18.3	21.4	24.6	27.7	28.5	32.4	40.3	44.3	48.2			
...	6.6	8.2	9.8	11.3	12.9	14.5	16.1	16.5	17.6	20.8	23.9	27.1	27.9	31.8	39.7	43.6	47.6			
...	6.9	8.5	10.1	11.7	13.2	14.8	15.3	16.4	19.5	22.7	25.8	26.6	30.6	38.4	42.4	46.3			
...	7.2	8.8	10.4	12.0	13.5	14.0	15.1	18.3	21.4	24.6	25.4	29.3	37.2	41.1	45.0			
...	9.1	10.7	12.3	12.8	13.9	17.0	20.2	23.3	24.1	28.0	35.9	39.8	43.8			
...	9.5	11.0	11.5	12.6	15.8	18.9	22.1	22.8	26.8	34.7	38.6	42.5			
...	...	4.9	5.7	6.5	8.0	9.6	11.2	12.8	14.3	15.9	17.5	18.0	19.1	22.2	25.4	28.5	29.3	33.2	41.1	45.0	49.0			
...	4.7	5.2	6.0	6.8	8.3	9.9	11.5	13.1	14.6	16.2	17.8	18.3	19.4	22.5	25.7	28.8	29.6	33.5	41.4	45.4	49.3			
...	5.0	5.5	6.3	7.1	8.7	10.2	11.8	13.4	15.0	16.5	18.1	18.6	19.7	22.8	26.0	29.1	29.9	33.9	41.7	45.7	49.6			
4.3	5.4	5.8	6.6	7.4	9.0	10.6	12.1	13.7	15.3	16.9	18.4	18.9	20.0	23.2	26.3	29.5	30.2	34.2	42.0	46.0	49.9			
4.6	5.7	6.1	6.9	7.7	9.3	10.9	12.4	14.0	15.6	17.2	18.7	19.2	20.3	23.5	26.6	29.8	30.6	34.5	42.4	46.3	50.2			
4.9	6.0	6.5	7.2	8.0	9.6	11.2	12.8	14.3	15.9	17.5	19.1	19.5	20.6	23.8	26.9	30.1	30.9	34.8	42.7	46.6	50.6			
5.2	6.3	6.8	7.6	8.3	9.9	11.5	13.1	14.6	16.2	17.8	19.4	19.8	20.9	24.1	27.2	30.4	31.2	35.1	43.0	46.9	50.9			
5.5	6.6	7.1	7.9	8.7	10.2	11.8	13.4	15.0	16.5	18.1	19.7	20.2	21.3	24.4	27.6	30.7	31.5	35.4	43.3	47.2	51.2			
5.8	6.9	7.4	8.2	9.0	10.6	12.1	13.7	15.3	16.9	18.4	20.0	20.5	21.6	24.7	27.9	31.0	31.8	35.7	43.6	47.6	51.5			
...	6.9	8.5	10.1	11.7	13.2	14.8	16.4	16.9	18.0	21.1	24.3	27.4	28.2	32.1	40.0	43.9	47.9			
...	5.2	6.0	7.6	9.1	10.7	12.3	13.9	15.4	17.0	17.5	18.6	21.7	24.9	28.0	28.8	32.8	40.6	44.6	48.5			
...	4.6	5.0	5.8	6.6	8.2	9.8	11.3	12.9	14.5	16.1	17.6	18.1	19.2	22.4	25.5	28.7	29.5	33.4	41.3	45.2	49.1			
...	8.5	10.1	11.7	12.1	13.2	16.4	19.5	22.7	23.5	27.4	35.3	39.2	43.2			
...	4.9	5.4	6.1	6.9	8.5	10.1	11.7	13.2	14.8	16.4	18.0	18.4	19.5	22.7	25.8	29.0	29.8	33.7	41.6	45.5	49.5			
...	5.2	5.7	6.5	7.2	8.8	10.4	12.0	13.5	15.1	16.7	18.3	18.7	19.8	23.0	26.1	29.3	30.1	34.0	41.9	45.8	49.8			
...	8.2	9.8	11.3	12.9	13.4	14.5	17.6	20.8	23.9	24.7	28.7	36.5	40.5	44.4			
...	10.2	10.7	11.8	15.0	18.1	21.3	22.0	26.0	33.9	37.8	41.7			
4.4	5.5	6.0	6.8	7.6	9.1	10.7	12.3	13.9	15.4	17.0	18.6	19.1	20.2	23.3	26.5	29.6	30.4	34.3	42.2	46.1	50.1			
4.7	5.8	6.3	7.1	7.9	9.4	11.0	12.6	14.2	15.7	17.3	18.9	19.4	20.5	23.6	26.8	29.9	30.7	34.6	42.5	46.5	50.4			
...	7.9	9.4	11.0	12.6	14.2	14.6	15.7	18.9	22.0	25.2	26.0	29.9	37.8	41.7	45.7			
5.0	6.1	6.6	7.4	8.2	9.8	11.3	12.9	14.5	16.1	17.6	19.2	19.7	20.8	23.9	27.1	30.2	31.0	35.0	42.8	46.8	50.7			
...	5.3	6.1	7.7	9.3	10.9	12.4	14.0	15.6	17.2	17.6	18.7	21.9	25.0	28.2	29.0	32.9	40.8	44.7	48.7			
5.4	6.5	6.9	7.7	8.5	10.1	11.7	13.2	14.8	16.4	18.0	19.5	20.0	21.1	24.3	27.4	30.6	31.3	35.3	43.2	47.1	51.0			
...	6.0	7.6	9.1	10.7	12.3	13.9	15.4	15.9	17.0	20.2	23.3	26.5	27.2	31.2	39.1	43.0	46.9			
...	4.7	5.2	6.0	6.8	8.3	9.9	11.5	13.1	14.6	16.2	17.8	18.3	19.4	22.5	25.7	28.8	29.6	33.5	41.4	45.4	49.3			
5.7	6.8	7.2	8.0	8.8	10.4	12.0	13.5	15.1	16.7	18.3	19.8	20.3	21.4	24.6	27.7	30.9	31.7	35.6	43.5	47.4	51.3			
...	5.0	5.5	6.3	7.1	8.7	10.2	11.8	13.4	15.0	16.5	18.1	18.6	19.7	22.8	26.0	29.1	29.9	33.9	41.7	45.7	49.6			
4.2	5.3	5.8	6.6	7.4	9.0	10.5	12.1	13.7	15.3	16.9	18.4	18.9	20.0	23.2	26.3	29.4	30.2	34.2	42.0	46.0	49.9			
...	5.7	7.2	8.8	10.4	12.0	13.5	15.1	16.7	17.2	18.3	21.4	24.6	27.7	28.5	32.4	40.3	44.3	48.2		
4.6	5.7	6.1	6.9	7.7	9.3	10.9	12.4	14.0	15.6	17.2	18.7	19.2	20.3	23.5	26.6	29.8	30.6	34.5	42.4	46.3	50.2			
...	5.5	6.3	7.9	9.4	11.0	12.6	14.2	15.7	17.3	17.8	18.9	22.0	25.2	28.3	29.1	33.1	40.9	44.9	48.8			
4.9	6.0	6.5	7.2	8.0	9.6	11.2	12.8	14.3	15.9	17.5	19.1	19.5	20.6	23.8	26.9	30.1	30.9	34.8	42.7	46.6	50.6			
5.2	6.3	6.8	7.6	8.3	9.9	11.5	13.1	14.6	16.2	17.8	19.4	19.8	20.9	24.1	27.2	30.4	31.2	35.1	43.0	46.9	50.9			
...	4.9	5.3	6.1	6.9	8.5	10.1	11.6	13.2	14.8	16.4	18.0	18.4	19.5	22.7	25.8	29.0	29.8	33.7	41.6	45.5	49.4			
.8				.9				1.0					1.1					1.2						

PULLEYS

HTS® 8 mm Drive Selection Tables



DN RPM	Drive Ratio	Sprocket Combination				HP Ratings @ 1160 RPM Driver							
		Driver		Driven		RPPTM Belt Widths				RPPTM PLUS Belt Widths			
		No. Teeth	P.D.	No. Teeth	P.D.	20	30	50	85	20	30	50	85
Multiply hp rating by belt length factor to determine drive width—BELT LENGTH FACTOR →													
928	1.25	64	6.416	80	8.020	11.50	18.20	31.60	54.9	14.50	22.80	39.6	69.0
928	1.25	72	7.218	90	9.023	12.70	20.10	34.80	60.6	16.40	26.00	45.1	78.5
918	1.26	38	3.810	48	4.812	7.22	11.50	19.80	34.5	8.12	12.80	22.2	38.7
916	1.27	30	3.008	38	3.810	4.07	6.46	11.20	...	6.24	9.86	17.1	...
911	1.27	22	2.206	28	2.807	2.65	4.21	7.28	...	4.41	6.97	12.1	...
911	1.27	44	4.411	56	5.614	8.25	13.10	22.70	39.4	9.55	15.10	26.2	45.6
902	1.29	28	2.807	36	3.609	3.73	5.93	10.30	...	5.78	9.13	15.8	...
902	1.29	56	5.614	72	7.218	10.20	16.30	28.10	48.9	12.50	19.70	34.2	59.6
896	1.29	34	3.409	44	4.411	5.35	8.50	14.70	25.6	7.17	11.30	19.7	34.2
887	1.31	26	2.607	34	3.409	3.13	4.97	8.60	...	5.32	8.40	14.6	...
870	1.33	24	2.406	32	3.208	2.89	4.59	7.94	...	4.86	7.68	13.3	...
870	1.33	30	3.008	40	4.010	4.07	6.46	11.20	...	6.24	9.86	17.1	...
870	1.33	36	3.609	48	4.812	6.87	10.90	18.90	32.8	7.64	12.10	20.9	36.5
870	1.33	48	4.812	64	6.416	8.92	14.20	24.50	42.7	10.50	16.60	28.8	50.2
855	1.36	28	2.807	38	3.810	3.73	5.93	10.30	...	5.78	9.13	15.8	...
851	1.36	22	2.206	30	3.008	2.65	4.21	7.28	...	4.41	6.97	12.1	...
844	1.38	32	3.208	44	4.411	4.68	7.45	12.90	...	6.70	10.60	18.4	...
838	1.38	26	2.607	36	3.609	3.13	4.97	8.60	...	5.32	8.40	14.6	...
829	1.40	40	4.010	56	5.614	7.56	12.00	20.80	36.2	8.59	13.60	23.6	41.0
829	1.40	80	8.020	112	11.229	13.80	21.90	38.00	66.0	18.40	29.20	50.6	88.1
825	1.41	64	6.416	90	9.023	11.50	18.20	31.60	54.9	14.50	22.80	39.6	69.0
822	1.41	34	3.409	48	4.812	5.35	8.50	14.70	25.6	7.17	11.30	19.7	34.2
819	1.42	24	2.406	34	3.409	2.89	4.59	7.94	...	4.86	7.68	13.3	...
812	1.43	28	2.807	40	4.010	3.73	5.93	10.30	...	5.78	9.13	15.8	...
812	1.43	56	5.614	80	8.020	10.20	16.30	28.10	48.9	12.50	19.70	34.2	59.6
798	1.45	22	2.206	32	3.208	2.65	4.21	7.28	...	4.41	6.97	12.1	...
798	1.45	44	4.411	64	6.416	8.25	13.10	22.70	39.4	9.55	15.10	26.2	45.6
794	1.46	26	2.607	38	3.810	3.13	4.97	8.60	...	5.32	8.40	14.6	...
791	1.47	30	3.008	44	4.411	4.07	6.46	11.20	...	6.24	9.86	17.1	...
787	1.47	38	3.810	56	5.614	7.22	11.50	19.80	34.5	8.12	12.80	22.2	38.7
773	1.50	24	2.406	36	3.609	2.89	4.59	7.94	...	4.86	7.68	13.3	...
773	1.50	32	3.208	48	4.812	4.68	7.45	12.90	...	6.70	10.60	18.4	...
773	1.50	48	4.812	72	7.218	8.92	14.20	24.50	42.7	10.50	16.60	28.8	50.2
754	1.54	26	2.607	40	4.010	3.13	4.97	8.60	...	5.32	8.40	14.6	...
751	1.55	22	2.206	34	3.409	2.65	4.21	7.28	...	4.41	6.97	12.1	...
746	1.56	36	3.609	56	5.614	6.87	10.90	18.90	32.8	7.64	12.10	20.9	36.5
746	1.56	72	7.218	112	11.229	12.70	20.10	34.80	60.6	16.40	26.00	45.1	78.5
738	1.57	28	2.807	44	4.411	3.73	5.93	10.30	...	5.78	9.13	15.8	...
733	1.58	24	2.406	38	3.810	2.89	4.59	7.94	...	4.86	7.68	13.3	...
725	1.60	30	3.008	48	4.812	4.07	6.46	11.20	...	6.24	9.83	17.1	...
725	1.60	40	4.010	64	6.416	7.56	12.00	20.80	36.2	8.59	13.60	23.4	41.0
722	1.61	56	5.614	90	9.023	10.20	16.30	28.10	48.9	12.50	19.70	34.2	59.6
709	1.64	22	2.206	36	3.609	2.65	4.21	7.28	...	4.41	6.97	12.1	...
709	1.64	44	4.411	72	7.218	8.25	13.10	22.70	39.4	9.55	15.10	26.2	45.6
704	1.65	34	3.409	56	5.614	5.35	8.50	14.70	25.6	7.17	11.30	19.7	34.2
696	1.67	24	2.406	40	4.010	2.89	4.59	7.94	...	4.86	7.68	13.3	...
696	1.67	48	4.812	80	8.020	8.92	14.20	24.50	42.7	10.50	16.60	28.8	50.2
689	1.68	38	3.810	64	6.416	7.22	11.50	19.80	34.5	8.12	12.80	22.2	38.7
685	1.69	26	2.607	44	4.411	3.13	4.97	8.60	...	5.32	8.40	14.6	...
677	1.71	28	2.807	48	4.812	3.73	5.93	10.30	...	5.78	9.13	15.8	...
Multiply hp rating by belt length factor to determine drive width—BELT LENGTH FACTOR →													

PULLEYS



HTS® 8 mm Drive Selection Tables

NOMINAL CENTER DISTANCES																							
BELT LENGTH CODE DESIGNATION																							
536	560	600	640	720	800	880	960	1040	1120	1200	1224	1280	1440	1600	1760	1800	2000	2400	2600	2800	3048		
.8			.9				1.0					1.1				1.2							
...	9.1	10.7	12.3	12.7	13.8	17.0	20.1	23.3	24.1	28.0	35.9	39.8	43.8	48.7		
...	9.3	10.8	11.3	12.4	15.6	18.7	21.9	22.7	26.6	34.5	38.4	42.4	47.2		
...	5.8	7.4	9.0	10.5	12.1	13.7	15.3	16.8	17.3	18.4	21.6	24.7	27.9	28.7	32.6	40.5	44.4	48.3	53.2		
5.2	5.7	6.4	7.2	8.8	10.4	12.0	13.5	15.1	16.7	18.3	18.7	19.8	23.0	26.1	29.3	30.1	34.0	41.9	45.8	49.8	54.6		
6.6	7.1	7.9	8.7	10.2	11.8	13.4	15.0	16.5	18.1	19.7	20.2	21.3	24.4	27.6	30.7	31.5	35.4	43.3	47.2	51.2	56.1		
...	6.3	7.9	9.4	11.0	12.6	14.2	15.7	16.2	17.3	20.5	23.6	26.8	27.6	31.5	39.4	43.3	47.2	52.1		
5.5	6.0	6.8	7.6	9.1	10.7	12.3	13.9	15.4	17.0	18.6	19.1	20.2	23.3	26.5	29.6	30.4	34.3	42.2	46.1	50.1	55.0		
...	7.2	8.8	10.4	11.9	13.5	14.0	15.1	18.3	21.4	24.6	25.3	29.3	37.2	41.1	45.0	49.9		
...	4.9	5.6	6.4	8.0	9.6	11.2	12.7	14.3	15.9	17.5	17.9	19.1	22.2	25.4	28.5	29.3	33.2	41.1	45.0	49.0	53.9		
5.8	6.3	7.1	7.9	9.4	11.0	12.6	14.2	15.7	17.3	18.9	19.4	20.5	23.6	26.8	29.9	30.7	34.6	42.5	46.5	50.4	55.3		
6.1	6.6	7.4	8.2	9.8	11.3	12.9	14.5	16.1	17.6	19.2	19.7	20.8	23.9	27.1	30.2	31.0	35.0	42.8	46.8	50.7	55.6		
5.0	5.5	6.3	7.1	8.6	10.2	11.8	13.4	15.0	16.5	18.1	18.6	19.7	22.8	26.0	29.1	29.9	33.9	41.7	45.7	49.6	54.5		
...	...	5.2	6.0	7.5	9.1	10.7	12.3	13.8	15.4	17.0	17.5	18.6	21.7	24.9	28.0	28.8	32.8	40.6	44.6	48.5	53.4		
...	6.9	8.5	10.0	11.6	13.2	14.8	15.3	16.4	19.5	22.7	25.8	26.6	30.5	38.4	42.4	46.3	51.2		
5.3	5.8	6.6	7.4	9.0	10.5	12.1	13.7	15.3	16.8	18.4	18.9	20.0	23.1	26.3	29.4	30.2	34.2	42.0	46.0	49.9	54.8		
6.4	6.9	7.7	8.5	10.1	11.6	13.2	14.8	16.4	17.9	19.5	20.0	21.1	24.3	27.4	30.6	31.3	35.3	43.1	47.1	51.0	55.9		
...	5.0	5.8	6.6	8.2	9.7	11.3	12.9	14.5	16.1	17.6	18.1	19.2	22.4	25.5	28.7	29.4	33.4	41.3	45.2	49.1	54.0		
5.6	6.1	6.9	7.7	9.3	10.9	12.4	14.0	15.6	17.2	18.7	19.2	20.3	23.5	26.6	29.8	30.5	34.5	42.4	46.3	50.2	55.1		
...	6.6	8.2	9.7	11.3	12.9	14.5	16.0	16.5	17.6	20.8	23.9	27.1	27.9	31.8	39.7	43.6	47.6	52.4		
...	13.1	16.3	19.5	20.3	24.2	32.1	36.0	40.0	44.9		
...	9.8	11.4	11.9	13.0	16.2	19.3	22.5	23.3	27.2	35.1	39.0	43.0	47.9		
...	...	5.3	6.1	7.7	9.3	10.8	12.4	14.0	15.6	17.2	17.6	18.7	21.9	25.0	28.2	29.0	32.9	40.8	44.7	48.7	53.5		
6.0	6.4	7.2	8.0	9.6	11.2	12.7	14.3	15.9	17.5	19.1	19.5	20.6	23.8	26.9	30.1	30.9	34.8	42.7	46.6	50.6	55.4		
5.2	5.6	6.4	7.2	8.8	10.4	12.0	13.5	15.1	16.7	18.3	18.7	19.8	23.0	26.1	29.3	30.1	34.0	41.9	45.8	49.8	54.6		
...	8.1	9.7	11.3	12.9	13.3	14.4	17.6	20.8	23.9	24.7	28.6	36.5	40.5	44.4	49.3		
6.3	6.8	7.5	8.3	9.9	11.5	13.1	14.6	16.2	17.8	19.4	19.8	20.9	24.1	27.2	30.4	31.2	35.1	43.0	46.9	50.9	55.7		
...	7.2	8.8	10.3	11.9	13.5	15.1	15.6	16.7	19.8	23.0	26.1	26.9	30.9	38.7	42.7	46.6	51.5		
5.5	6.0	6.7	7.5	9.1	10.7	12.3	13.8	15.4	17.0	18.6	19.0	20.2	23.3	26.5	29.6	30.4	34.3	42.2	46.1	50.1	55.0		
4.7	5.1	5.9	6.7	8.3	9.9	11.5	13.1	14.6	16.2	17.8	18.3	19.4	22.5	25.7	28.8	29.6	33.5	41.4	45.4	49.3	54.2		
...	6.7	8.3	9.9	11.5	13.0	14.6	16.2	16.7	17.8	20.9	24.1	27.2	28.0	32.0	39.8	43.8	47.7	52.6		
5.8	6.3	7.1	7.9	9.4	11.0	12.6	14.2	15.7	17.3	18.9	19.4	20.5	23.6	26.8	29.9	30.7	34.6	42.5	46.5	50.4	55.3		
...	...	5.5	6.2	7.8	9.4	11.0	12.6	14.2	15.7	17.3	17.8	18.9	22.0	25.2	28.3	29.1	33.1	40.9	44.9	48.8	53.7		
...	7.8	9.4	11.0	12.5	14.1	14.6	15.7	18.9	22.0	25.2	26.0	29.9	37.8	41.7	45.7	50.5		
5.3	5.8	6.6	7.4	8.9	10.5	12.1	13.7	15.3	16.8	18.4	18.9	20.0	23.1	26.3	29.4	30.2	34.2	42.0	46.0	49.9	54.8		
6.1	6.6	7.4	8.2	9.7	11.3	12.9	14.5	16.1	17.6	19.2	19.7	20.8	23.9	27.1	30.2	31.0	35.0	42.8	46.8	50.7	55.6		
...	6.9	8.4	10.0	11.6	13.2	14.8	16.3	16.8	17.9	21.1	24.2	27.4	28.2	32.1	40.0	43.9	47.9	52.7		
...	10.5	13.7	16.9	20.1	20.8	24.8	32.7	36.6	40.6	45.5		
4.8	5.3	6.1	6.9	8.5	10.0	11.6	13.2	14.8	16.4	17.9	18.4	19.5	22.7	25.8	29.0	29.8	33.7	41.6	45.5	49.4	54.3		
5.6	6.1	6.9	7.7	9.3	10.8	12.4	14.0	15.6	17.2	18.7	19.2	20.3	23.5	26.6	29.8	30.5	34.5	42.4	46.3	50.2	55.1		
...	4.8	5.6	6.4	8.0	9.6	11.1	12.7	14.3	15.9	17.5	17.9	19.0	22.2	25.3	28.5	29.3	33.2	41.1	45.0	49.0	53.9		
...	7.5	9.1	10.6	12.2	13.8	15.4	15.9	17.0	20.1	23.3	26.4	27.2	31.2	39.0	43.0	46.9	51.8		
...	8.8	10.4	12.0	12.5	13.6	16.8	19.9	23.1	23.9	27.8	35.7	39.7	43.6	48.5		
5.9	6.4	7.2	8.0	9.6	11.2	12.7	14.3	15.9	17.5	19.0	19.5	20.6	23.8	26.9	30.1	30.9	34.8	42.7	46.6	50.5	55.4		
...	8.1	9.7	11.2	12.8	14.4	14.9	16.0	19.2	22.3	25.5	26.3	30.2	38.1	42.0	46.0	50.8		
...	5.4	7.0	8.6	10.2	11.8	13.3	14.9	16.5	17.0	18.1	21.2	24.4	27.5	28.3	32.3	40.1	44.1	48.0	52.9		
5.5	5.9	6.7	7.5	9.1	10.7	12.3	13.8	15.4	17.0	18.6	19.0	20.1	23.3	26.4	29.6	30.4	34.3	42.2	46.1	50.1	55.0		
...	8.7	10.3	11.9	13.4	13.9	15.0	18.2	21.4	24.5	25.3	29.2	37.1	41.1	45.0	49.9		
...	6.0	7.6	9.2	10.8	12.4	14.0	15.5	16.0	17.1	20.3	23.4	26.6	27.4	31.3	39.2	43.1	47.1	52.0		
5.0	5.4	6.2	7.0	8.6	10.2	11.8	13.4	14.9	16.5	18.1	18.6	19.7	22.8	26.0	29.1	29.9	33.8	41.7	45.7	49.6	54.5		
...	4.9	5.7	6.5	8.1	9.7	11.3	12.9	14.5	16.0	17.6	18.1	19.2	22.3	25.5	28.6	29.4	33.4	41.2	45.2	49.1	54.0		
.8			.9				1.0					1.1				1.2							

PULLEYS

HTS® 8 mm Drive Selection Tables



DN RPM	Drive Ratio	Sprocket Combination				HP Ratings @ 1160 RPM Driver							
		Driver		Driven		RPP™ Belt Widths				RPP™ PLUS Belt Widths			
		No. Teeth	P.D.	No. Teeth	P.D.	20	30	50	85	20	30	50	85
Multiply hp rating by belt length factor to determine drive width—BELT LENGTH FACTOR →													
672	1.73	22	2.206	38	3.810	2.65	4.21	7.28	...	4.41	6.97	12.1	...
663	1.75	32	3.208	56	5.614	4.68	7.45	12.90	...	6.70	10.60	18.4	...
663	1.75	64	6.416	112	11.229	11.50	18.20	31.60	54.9	14.50	22.80	39.6	69.0
653	1.78	36	3.609	64	6.416	6.87	10.90	18.90	32.8	7.64	12.10	20.9	36.5
644	1.80	40	4.010	72	7.218	7.56	12.00	20.80	36.2	8.59	13.60	23.6	41.0
644	1.80	80	8.020	144	14.437	13.80	21.90	38.00	66.0	18.40	29.20	50.6	88.1
638	1.82	22	2.206	40	4.010	2.65	4.21	7.28	...	4.41	6.97	12.1	...
638	1.82	44	4.411	80	8.020	8.25	13.10	22.70	39.4	9.55	15.10	26.2	45.6
633	1.83	24	2.406	44	4.411	2.89	4.59	7.94	...	4.86	7.68	13.3	...
628	1.85	26	2.607	48	4.812	3.13	4.97	8.60	...	5.32	8.40	14.6	...
621	1.87	30	3.008	56	5.614	4.07	6.46	11.20	...	6.24	9.86	17.1	...
619	1.88	48	4.812	90	9.023	8.92	14.20	24.50	42.7	10.50	16.60	28.8	50.2
616	1.88	34	3.409	64	6.416	5.35	8.50	14.70	25.6	7.17	11.30	19.7	34.2
612	1.89	38	3.810	72	7.218	7.22	11.50	19.80	34.5	8.12	12.80	22.2	38.7
580	2.00	22	2.206	44	4.411	2.65	4.21	7.28	...	4.41	6.97	12.1	...
580	2.00	24	2.406	48	4.812	2.89	4.59	7.94	...	4.86	7.68	13.3	...
580	2.00	28	2.807	56	5.614	3.73	5.93	10.30	...	5.78	9.13	15.8	...
580	2.00	32	3.208	64	6.416	4.68	7.45	12.90	...	6.70	10.60	18.4	...
580	2.00	36	3.609	72	7.218	6.87	10.90	18.90	32.8	7.64	12.10	20.9	36.5
580	2.00	40	4.010	80	8.020	7.56	12.00	20.80	36.2	8.59	13.60	23.6	41.0
580	2.00	56	5.614	112	11.229	10.20	16.30	28.10	48.9	12.50	19.70	34.2	59.6
580	2.00	72	7.218	144	14.437	12.70	20.10	34.80	60.6	16.40	26.00	45.1	78.5
567	2.05	44	4.411	90	9.023	8.25	13.10	22.70	39.4	9.55	15.10	26.2	45.6
551	2.11	38	3.810	80	8.020	7.22	11.50	19.80	34.5	8.12	12.80	22.2	38.7
548	2.12	34	3.409	72	7.218	5.35	8.50	14.70	25.6	7.17	11.30	19.7	34.2
544	2.13	30	3.008	64	6.416	4.07	6.46	11.20	...	6.24	9.86	17.1	...
539	2.15	26	2.607	56	5.614	3.13	4.97	8.60	...	5.32	8.40	14.6	...
532	2.18	22	2.206	48	4.812	2.65	4.21	7.28	...	4.41	6.97	12.1	...
522	2.22	36	3.609	80	8.020	6.87	10.90	18.90	32.8	7.64	12.10	20.9	36.5
516	2.25	32	3.208	72	7.218	4.68	7.45	12.90	...	6.70	10.60	18.4	...
516	2.25	40	4.010	90	9.023	7.56	12.00	20.80	36.2	8.59	13.60	23.6	41.0
516	2.25	64	6.416	144	14.437	11.50	18.20	31.60	54.9	14.50	22.80	39.6	69.0
508	2.29	28	2.807	64	6.416	3.73	5.93	10.30	...	5.78	9.13	15.8	...
497	2.33	24	2.406	56	5.614	2.89	4.59	7.94	...	4.86	7.68	13.3	...
497	2.33	48	4.812	112	11.229	8.92	14.20	24.50	42.7	10.50	16.60	28.8	50.2
493	2.35	34	3.409	80	8.020	5.35	8.50	14.70	25.6	7.17	11.30	19.7	34.2
490	2.37	38	3.810	90	9.023	7.22	11.50	19.80	34.5	8.12	12.80	22.2	38.7
483	2.40	30	3.008	72	7.218	4.07	6.46	11.20	...	6.24	9.86	17.1	...
483	2.40	80	8.020	192	19.249	13.80	21.90	38.00	66.0	18.40	29.20	50.6	88.1
471	2.46	26	2.607	64	6.416	3.13	4.97	8.60	...	5.32	8.40	14.6	...
464	2.50	32	3.208	80	8.020	4.68	7.45	12.90	...	6.70	10.60	18.4	...
464	2.50	36	3.609	90	9.023	6.87	10.90	18.90	32.8	7.64	12.10	20.9	36.5
456	2.55	22	2.206	56	5.614	2.65	4.21	7.28	...	4.41	6.97	12.1	...
456	2.55	44	4.411	112	11.229	8.25	13.10	22.70	39.4	9.55	15.10	26.2	45.6
451	2.57	28	2.807	72	7.218	3.73	5.93	10.30	...	5.78	9.13	15.8	...
451	2.57	56	5.614	144	14.437	10.20	16.30	28.10	48.9	12.50	19.70	34.2	59.6
438	2.65	34	3.409	90	9.023	5.35	8.50	14.70	25.6	7.17	11.30	19.7	34.2
435	2.67	24	2.406	64	6.416	2.89	4.59	7.94	...	4.86	7.68	13.3	...
435	2.67	30	3.008	80	8.020	4.07	6.46	11.20	...	6.24	9.86	17.1	...
435	2.67	72	7.218	192	19.249	12.7	20.10	34.80	60.6	16.40	26.00	45.1	78.5
Multiply hp rating by belt length factor to determine drive width—BELT LENGTH FACTOR →													

PULLEYS



HTS® 8 mm Drive Selection Tables

NOMINAL CENTER DISTANCES																						
BELT LENGTH CODE DESIGNATION																						
560	600	640	720	800	880	960	1040	1120	1200	1224	1280	1440	1600	1760	1800	2000	2400	2600	2800	3048	3280	
.8		.9				1.0					1.1				1.2							
6.2	7.0	7.8	9.4	11.0	12.6	14.2	15.7	17.3	18.9	19.4	20.5	23.6	26.8	29.9	30.7	34.6	42.5	46.5	50.4	55.3	59.8	
...	...	5.5	7.1	8.7	10.3	11.9	13.5	15.1	16.6	17.1	18.2	21.4	24.5	27.7	28.5	32.4	40.3	44.2	48.2	53.1	57.6	
...	9.9	11.1	14.3	17.5	20.6	21.4	25.4	33.3	37.2	41.2	46.1	50.7	
...	6.1	7.7	9.3	10.9	12.5	14.1	15.7	16.2	17.3	20.4	23.6	26.7	27.5	31.5	39.3	43.3	47.2	52.1	56.7	
...	6.7	8.3	9.9	11.5	13.1	14.7	15.2	16.3	19.5	22.6	25.8	26.6	30.5	38.4	42.3	46.3	51.2	55.7	
...	13.5	16.7	17.5	21.5	29.4	33.4	37.3	42.2	46.8	
6.1	6.9	7.7	9.2	10.8	12.4	14.0	15.6	17.1	18.7	19.2	20.3	23.4	26.6	29.8	30.5	34.5	42.4	46.3	50.2	55.1	59.7	
...	7.3	8.9	10.5	12.1	13.7	14.2	15.3	18.5	21.7	24.8	25.6	29.6	37.4	41.4	45.3	50.2	54.8	
5.6	6.4	7.2	8.8	10.3	11.9	13.5	15.1	16.7	18.2	18.7	19.8	23.0	26.1	29.3	30.1	34.0	41.9	45.8	49.8	54.6	59.2	
5.1	5.9	6.7	8.3	9.9	11.4	13.0	14.6	16.2	17.8	18.2	19.3	22.5	25.6	28.8	29.6	33.5	41.4	45.3	49.3	54.2	58.7	
...	...	5.7	7.3	8.9	10.5	12.1	13.6	15.2	16.8	17.3	18.4	21.5	24.7	27.8	28.6	32.6	40.5	44.4	48.3	53.2	57.8	
...	7.7	9.4	11.0	12.6	13.1	14.2	17.3	20.5	23.7	24.5	28.4	36.3	40.3	44.2	49.1	53.7	
...	6.3	7.9	9.5	11.1	12.7	14.2	15.8	16.3	17.4	20.6	23.7	26.9	27.7	31.6	39.5	43.4	47.4	52.3	56.8	
...	6.9	8.5	10.1	11.7	13.3	14.9	15.3	16.4	19.6	22.8	25.9	26.7	30.7	38.5	42.5	46.4	51.3	55.9	
5.7	6.5	7.3	8.9	10.5	12.1	13.7	15.2	16.8	18.4	18.9	20.0	23.1	26.3	29.4	30.2	34.2	42.0	46.0	49.9	54.8	59.4	
5.2	6.0	6.8	8.4	10.0	11.6	13.2	14.8	16.3	17.9	18.4	19.5	22.6	25.8	29.0	29.7	33.7	41.6	45.5	49.4	54.3	58.9	
...	5.0	5.8	7.4	9.0	10.6	12.2	13.8	15.4	16.9	17.4	18.5	21.7	24.8	28.0	28.8	32.7	40.6	44.5	48.5	53.4	57.9	
...	6.4	8.0	9.6	11.2	12.8	14.4	16.0	16.5	17.6	20.7	23.9	27.0	27.8	31.8	39.7	43.6	47.5	52.4	57.0	
...	7.0	8.6	10.2	11.8	13.4	15.0	15.5	16.6	19.8	22.9	26.1	26.9	30.8	38.7	42.6	46.6	51.5	56.0	
...	7.6	9.2	10.8	12.4	14.0	14.5	15.6	18.8	22.0	25.1	25.9	29.9	37.7	41.7	45.6	50.5	55.1	
...	10.0	10.5	11.6	14.8	18.0	21.2	22.0	26.0	33.9	37.8	41.8	46.7	51.3	
...	14.0	17.2	18.0	22.1	30.0	34.0	37.9	42.8	47.4	
...	8.0	9.6	11.2	12.9	13.3	14.5	17.6	20.8	24.0	24.8	28.7	36.6	40.6	44.5	49.4	54.0	
...	7.7	9.4	11.0	12.6	14.2	14.6	15.8	18.9	22.1	25.3	26.1	30.0	37.9	41.8	45.8	50.7	55.2	
...	7.1	8.8	10.4	12.0	13.6	15.2	15.6	16.7	19.9	23.1	26.2	27.0	31.0	38.9	42.8	46.7	51.6	56.2	
...	6.5	8.2	9.8	11.4	13.0	14.5	16.1	16.6	17.7	20.9	24.0	27.2	28.0	31.9	39.8	43.7	47.7	52.6	57.1	
...	5.1	5.9	7.6	9.2	10.8	12.3	13.9	15.5	17.1	17.6	18.7	21.8	25.0	28.1	28.9	32.9	40.8	44.7	48.6	53.5	58.1	
5.3	6.2	7.0	8.6	10.1	11.7	13.3	14.9	16.5	18.1	18.5	19.6	22.8	26.0	29.1	29.9	33.8	41.7	45.7	49.6	54.5	59.0	
...	7.9	9.5	11.1	12.7	14.3	14.8	15.9	19.1	22.2	25.4	26.2	30.2	38.0	42.0	45.9	50.8	55.4	59.4	
...	7.3	8.9	10.5	12.1	13.7	15.3	15.8	16.9	20.1	23.2	26.4	27.2	31.1	39.0	42.9	46.9	51.8	56.3	
...	8.3	9.9	11.5	13.1	13.6	14.7	17.9	21.1	24.3	25.1	29.0	36.9	40.9	44.8	49.7	54.3	
...	11.2	14.5	17.8	18.6	22.6	30.6	34.6	38.5	43.4	48.0	
...	6.7	8.3	9.9	11.5	13.1	14.7	16.3	16.7	17.9	21.0	24.2	27.3	28.1	32.1	40.0	43.9	47.8	52.7	57.3	
...	5.3	6.1	7.7	9.3	10.9	12.5	14.1	15.7	17.2	17.7	18.8	22.0	25.1	28.3	29.1	33.0	40.9	44.9	48.8	53.7	58.2	
...	8.9	10.5	11.0	12.2	15.4	18.6	21.8	22.6	26.6	34.5	38.4	42.4	47.3	51.9	
...	8.0	9.6	11.2	12.9	14.5	14.9	16.0	19.2	22.4	25.6	26.4	30.3	38.2	42.1	46.1	51.0	55.5	59.5	
...	8.4	10.0	11.7	13.3	13.8	14.9	18.1	21.2	24.4	25.2	29.2	37.1	41.0	45.0	49.9	54.4	
...	7.4	9.0	10.6	12.3	13.8	15.4	15.9	17.0	20.2	23.4	26.5	27.3	31.3	39.2	43.1	47.0	51.9	56.5	
...	17.0	25.2	29.2	33.2	38.1	42.8	
...	6.8	8.4	10.0	11.6	13.2	14.8	16.4	16.9	18.0	21.2	24.3	27.5	28.3	32.2	40.1	44.1	48.0	52.9	57.4	
...	6.5	8.1	9.8	11.4	13.0	14.6	15.1	16.2	19.4	22.5	25.7	26.5	30.5	38.3	42.3	46.2	51.1	55.7	
...	8.5	10.2	11.8	13.4	13.9	15.0	18.2	21.4	24.6	25.4	29.3	37.2	41.2	45.1	50.0	54.6	
...	5.4	6.2	7.8	9.4	11.0	12.6	14.2	15.8	17.4	17.9	19.0	22.1	25.3	28.5	29.2	33.2	41.1	45.0	48.9	53.8	58.4	
...	9.1	10.8	11.3	12.4	15.7	18.9	22.1	22.9	26.9	34.8	38.7	42.7	47.6	52.2	
...	5.9	7.5	9.2	10.8	12.4	14.0	15.6	17.2	20.3	23.5	26.7	27.5	31.4	39.3	43.2	47.2	52.1	56.7	
...	7.0	8.7	10.3	11.9	13.6	14.0	15.2	18.4	21.5	24.7	25.5	29.5	37.4	41.3	45.3	50.2	54.7	
...	...	5.3	6.9	8.6	10.2	11.8	13.4	15.0	16.6	17.0	18.2	21.3	24.5	27.6	28.4	32.4	40.3	44.2	48.1	53.0	57.6	
...	6.6	8.3	9.9	11.5	13.1	14.7	15.2	16.3	19.5	22.7	25.9	26.6	30.6	38.5	42.4	46.4	51.3	55.8	
...	17.5	25.7	29.8	33.8	38.7	43.3	
.8	.9				1.0					1.1				1.2								

PULLEYS

HTS® 8 mm Drive Selection Tables



DN RPM	Drive Ratio	Sprocket Combination				HP Ratings @ 1160 RPM Driver							
		Driver		Driven		RPP™ Belt Widths				RPP™ PLUS Belt Widths			
		No. Teeth	P.D.	No. Teeth	P.D.	20	30	50	85	20	30	50	85
Multiply hp rating by belt length factor to determine drive width—BELT LENGTH FACTOR →													
419	2.77	26	2.607	72	7.218	3.13	4.97	8.60	...	5.32	8.40	14.6	...
414	2.80	40	4.010	112	11.229	7.56	12.00	20.80	36.2	8.59	13.60	23.6	41.0
412	2.81	32	3.208	90	9.023	4.68	7.45	12.90	...	6.70	10.60	18.4	...
406	2.86	28	2.807	80	8.020	3.73	5.93	10.30	...	5.78	9.13	15.8	...
399	2.91	22	2.206	64	6.416	2.65	4.21	7.28	...	4.41	6.97	12.1	...
394	2.95	38	3.810	112	11.229	7.22	11.5	19.80	34.5	8.12	12.80	22.2	38.7
387	3.00	24	2.406	72	7.218	2.89	4.59	7.94	...	4.86	7.68	13.3	...
387	3.00	30	3.008	90	9.023	4.07	6.46	11.20	...	6.24	9.86	17.1	...
387	3.00	48	4.812	144	14.437	8.92	14.20	24.50	42.7	10.50	16.60	28.8	50.2
387	3.00	64	6.416	192	19.249	11.50	18.20	31.60	54.9	14.50	22.8	39.6	69.0
377	3.08	26	2.607	80	8.020	3.13	4.97	8.60	...	5.32	8.40	14.6	...
373	3.11	36	3.609	112	11.229	6.87	10.90	18.90	32.8	7.64	12.10	20.9	36.5
361	3.21	28	2.807	90	9.023	3.73	5.93	10.30	...	5.78	9.13	15.8	...
354	3.27	22	2.206	72	7.218	2.65	4.21	7.28	...	4.41	6.97	12.1	...
354	3.27	44	4.411	144	14.437	8.25	13.10	22.70	39.4	9.55	15.10	26.2	45.6
352	3.29	34	3.409	112	11.229	5.35	8.50	14.70	25.6	7.17	11.30	19.7	34.2
348	3.33	24	2.406	80	8.020	2.89	4.59	7.94	...	4.86	7.68	13.3	...
338	3.43	56	5.614	192	19.249	10.20	16.30	28.10	48.9	12.50	19.70	34.2	59.6
335	3.46	26	2.607	90	9.023	3.13	4.97	8.60	...	5.32	8.40	14.6	...
331	3.50	32	3.208	112	11.229	4.68	7.45	12.90	...	6.70	10.60	18.4	...
322	3.60	40	4.010	144	14.437	7.56	12.00	20.80	36.2	8.59	13.60	23.6	41.0
319	3.64	22	2.206	80	8.020	2.65	4.21	7.28	...	4.41	6.97	12.1	...
311	3.73	30	3.008	112	11.229	4.07	6.46	11.20	...	6.24	9.86	17.1	...
309	3.75	24	2.406	90	9.023	2.89	4.59	7.94	...	4.86	7.68	13.3	...
306	3.79	38	3.810	144	14.437	7.22	11.50	19.80	34.5	8.12	12.8	22.2	38.7
290	4.00	28	2.807	112	11.229	3.73	5.93	10.30	...	5.78	9.13	15.8	...
290	4.00	36	3.609	144	14.437	6.87	10.90	18.90	32.8	7.64	12.10	20.9	36.5
290	4.00	48	4.812	192	19.249	8.92	14.20	24.5	42.7	10.50	16.60	28.8	50.2
284	4.09	22	2.206	90	9.023	2.65	4.21	7.28	...	4.41	6.97	12.1	...
274	4.24	34	3.409	144	14.437	5.35	8.50	14.70	25.6	7.17	11.30	19.7	34.2
269	4.31	26	2.607	112	11.229	3.13	4.97	8.60	...	5.32	8.40	14.6	...
266	4.36	44	4.411	192	19.249	8.25	13.10	22.70	39.4	9.55	15.10	26.2	45.6
258	4.50	32	3.208	144	14.437	4.68	7.45	12.90	...	6.70	10.60	18.4	...
249	4.67	24	2.406	112	11.229	2.89	4.59	7.94	...	4.86	7.68	13.3	...
242	4.80	30	3.008	144	14.437	4.07	6.46	11.20	...	6.24	9.86	17.1	...
242	4.80	40	4.010	192	19.249	7.56	12.00	20.80	36.2	8.59	13.60	23.6	41.0
230	5.05	38	3.810	192	19.249	7.22	11.50	19.80	34.5	8.12	12.80	22.2	38.7
228	5.09	22	2.206	112	11.229	2.65	4.21	7.28	...	4.41	6.97	12.1	...
226	5.14	28	2.807	144	14.437	3.73	5.93	10.30	...	5.78	9.13	15.8	...
218	5.33	36	3.609	192	19.249	6.87	10.90	18.90	32.8	7.64	12.10	20.9	36.5
209	5.54	26	2.607	144	14.437	3.13	4.97	8.60	...	5.32	8.40	14.6	...
205	5.65	34	3.409	192	19.249	5.35	8.50	14.70	25.6	7.17	11.30	19.7	34.2
193	6.00	24	2.406	144	14.437	2.89	4.59	7.94	...	4.86	7.68	13.3	...
193	6.00	32	3.208	192	19.249	4.68	7.45	12.90	...	6.70	10.60	18.4	...
181	6.40	30	3.008	192	19.249	4.07	6.46	11.20	...	6.24	9.86	17.1	...
177	6.55	22	2.206	144	14.437	2.65	4.21	7.28	...	4.41	6.97	12.1	...
169	6.86	28	2.807	192	19.249	3.73	5.93	10.30	...	5.78	9.13	15.8	...
157	7.38	26	2.607	192	19.249	3.13	4.97	8.60	...	5.32	8.40	14.6	...
145	8.00	24	2.406	192	19.249	2.89	4.59	7.94	...	4.86	7.68	13.3	...
133	8.73	22	2.206	192	19.249	2.65	4.21	7.28	...	4.41	6.97	12.1	...
Multiply hp rating by belt length factor to determine drive width—BELT LENGTH FACTOR →													

PULLEYS



HTS® 8 mm Drive Selection Tables

NOMINAL CENTER DISTANCES																					
BELT LENGTH CODE DESIGNATION																					
720	800	880	960	1040	1120	1200	1224	1280	1440	1600	1760	1800	2000	2400	2600	2800	3048	3280	3600	4400	
.9			1.0					1.1				1.2									
60	7.7	9.3	10.9	12.5	14.1	15.7	16.2	17.3	20.5	23.7	26.8	27.6	31.6	39.5	43.4	47.3	52.2	56.8	63.1	78.9	
...	9.4	11.1	11.5	12.7	16.0	19.2	22.4	23.2	27.1	35.1	39.0	43.0	47.9	52.5	58.8	74.6	
...	...	7.1	8.8	10.4	12.1	13.7	14.2	15.3	18.5	21.7	24.9	25.7	29.6	37.5	41.5	45.4	50.3	54.9	61.2	77.0	
...	6.7	8.4	10.0	11.7	13.3	14.9	15.4	16.5	19.7	22.8	26.0	26.8	30.8	38.6	42.6	46.5	51.4	56.0	62.3	78.1	
7.1	8.7	10.3	11.9	13.5	15.1	16.7	17.2	18.3	21.5	24.6	27.8	28.6	32.5	40.4	44.4	48.3	53.2	57.8	64.1	79.8	
...	9.5	11.2	11.7	12.8	16.1	19.3	22.5	23.3	27.3	35.2	39.2	43.1	48.0	52.6	58.9	74.7	
6.1	7.8	9.4	11.1	12.7	14.3	15.9	16.3	17.5	20.6	23.8	27.0	27.8	31.7	39.6	43.6	47.5	52.4	57.0	63.3	79.0	
...	...	7.3	8.9	10.6	12.2	13.8	14.3	15.4	18.6	21.8	25.0	25.8	29.8	37.7	41.6	45.6	50.5	55.0	61.3	77.1	
...	12.3	15.6	18.9	19.7	23.7	31.7	35.7	39.7	44.6	49.2	55.5	71.3	
...	13.8	18.1	26.3	30.3	34.3	39.3	43.9	50.3	66.1	
...	6.9	8.5	10.2	11.8	13.4	15.0	15.5	16.6	19.8	23.0	26.2	26.9	30.9	38.8	42.7	46.7	51.6	56.2	62.5	78.2	
...	9.6	11.3	11.8	13.0	16.2	19.4	22.7	23.5	27.4	35.4	39.3	43.3	48.2	52.8	59.1	74.9	
...	...	7.4	9.1	10.7	12.3	14.0	14.5	15.6	18.8	22.0	25.2	25.9	29.9	37.8	41.8	45.7	50.6	55.2	61.5	77.3	
6.3	7.9	9.6	11.2	12.8	14.4	16.0	16.5	17.6	20.8	24.0	27.1	27.9	31.9	39.8	43.7	47.6	52.5	57.1	63.4	79.2	
...	12.5	15.9	19.2	20.0	24.0	32.0	36.0	40.0	44.9	49.5	55.8	71.6	
...	9.8	11.4	11.9	13.1	16.4	19.6	22.8	23.6	27.6	35.5	39.5	43.4	48.3	52.9	59.2	75.0	
...	7.0	8.7	10.3	11.9	13.6	15.2	15.6	16.8	19.9	23.1	26.3	27.1	31.0	38.9	42.9	46.8	51.7	56.3	62.6	78.4	
...	13.5	14.3	18.6	26.8	30.9	34.9	39.9	44.5	50.9	66.7	
...	...	7.5	9.2	10.8	12.5	14.1	14.6	15.7	18.9	22.1	25.3	26.1	30.1	38.0	41.9	45.9	50.8	55.3	61.6	77.4	
...	8.2	9.9	11.6	12.1	13.2	16.5	19.7	22.9	23.7	27.7	35.7	39.6	43.6	48.5	53.1	59.4	75.2	
...	12.8	16.1	19.4	20.2	24.3	32.3	36.3	40.3	45.2	49.8	56.1	71.9	
...	7.1	8.8	10.4	12.1	13.7	15.3	15.8	16.9	20.1	23.3	26.4	27.2	31.2	39.1	43.0	47.0	51.9	56.5	62.8	78.5	
...	8.3	10.0	11.7	12.2	13.4	16.6	19.9	23.1	23.9	27.9	35.8	39.8	43.7	48.6	53.2	59.5	75.3	
...	...	7.6	9.3	11.0	12.6	14.2	14.7	15.9	19.1	22.3	25.4	26.2	30.2	38.1	42.1	46.0	50.9	55.5	61.8	77.6	
...	12.9	16.3	19.6	20.4	24.4	32.5	36.4	40.4	45.3	49.9	56.3	72.1	
...	8.4	10.2	11.8	12.3	13.5	16.8	20.0	23.2	24.0	28.0	36.0	39.9	43.9	48.8	53.4	59.7	75.5	
...	13.1	16.4	19.7	20.5	24.6	32.6	36.6	40.6	45.5	50.1	56.4	72.2	
...	14.0	14.8	19.1	27.4	31.4	35.4	40.4	45.1	51.4	67.3	
...	...	7.8	9.5	11.1	12.8	14.4	14.9	16.0	19.2	22.4	25.6	26.4	30.3	38.3	42.2	46.2	51.1	55.6	61.9	77.7	
...	9.7	13.2	16.5	19.8	20.7	24.7	32.7	36.7	40.7	45.6	50.2	56.6	72.4	
...	8.6	10.3	12.0	12.5	13.6	16.9	20.1	23.4	24.2	28.2	36.1	40.1	44.0	48.9	53.5	59.8	75.6	
...	14.2	15.1	19.4	27.6	31.7	35.7	40.7	45.3	51.7	67.6	
...	9.8	13.3	16.7	20.0	20.8	24.8	32.9	36.9	40.9	45.8	50.4	56.7	72.5	
...	8.7	10.4	12.1	12.6	13.8	17.0	20.3	23.5	24.3	28.3	36.3	40.2	44.2	49.1	53.7	60.0	75.8	
...	10.0	13.4	16.8	20.1	20.9	25.0	33.0	37.0	41.0	45.9	50.5	56.9	72.7	
...	14.5	15.3	19.6	27.9	32.0	36.0	41.0	45.6	52.0	67.9	
...	14.6	15.5	19.7	28.0	32.1	36.1	41.1	45.8	52.1	68.0	
...	8.8	10.5	12.2	12.7	13.9	17.2	20.4	23.6	24.4	28.4	36.4	40.4	44.3	49.2	53.8	60.1	75.9	
...	10.1	13.6	16.9	20.2	21.1	25.1	33.2	37.2	41.1	46.1	50.7	57.0	72.8	
...	14.7	15.6	19.9	28.2	32.2	36.3	41.3	45.9	52.3	68.2	
...	10.2	13.7	17.1	20.4	21.2	25.3	33.3	37.3	41.3	46.2	50.8	57.2	73.0	
...	14.8	15.7	20.0	28.3	32.4	36.4	41.4	46.0	52.4	68.3	
...	10.3	13.8	17.2	20.5	21.3	25.4	33.4	37.4	41.4	46.4	51.0	57.3	73.1	
...	15.0	15.8	20.1	28.4	32.5	36.6	41.5	46.2	52.6	68.5	
...	15.1	16.0	20.3	28.6	32.6	36.7	41.7	46.3	52.7	68.6	
...	9.2	10.5	13.9	17.3	20.6	21.5	25.5	33.6	37.6	41.6	46.5	51.1	57.4	73.3	
...	15.2	16.1	20.4	28.7	32.8	36.8	41.8	46.5	52.9	68.8	
...	11.7	15.3	16.2	20.5	28.8	32.9	37.0	42.0	46.6	53.0	68.9	
...	11.8	15.5	16.3	20.6	29.0	33.1	37.1	42.1	46.8	53.1	69.1	
...	12.0	15.6	16.5	20.8	29.1	33.2	37.2	42.2	46.9	53.3	69.2	
.9			1.0					1.1				1.2									

PULLEYS

HTS® 14 mm Drive Selection Tables



DN RPM	Drive Ratio	Sprocket Combination				HP Ratings @ 1750 RPM Driver									
		Driver		Driven		RPP™ Belt Widths					RPP™ PLUS Belt Widths				
		No. Teeth	P.D.	No. Teeth	P.D.	40	55	85	115	170	40	55	85	115	170
Multiply hp rating by belt length factor to determine drive width—BELT LENGTH FACTOR →															
1750	1.00	28	4.912	28	4.912	22.6	33.0	53.9	74.7	...	38.9	56.9	93.0	129	...
1750	1.00	29	5.088	29	5.088	24.2	35.4	57.7	80.0	...	40.5	59.2	96.8	134	...
1750	1.00	30	5.263	30	5.263	25.8	37.8	61.6	85.5	...	42.1	61.6	101.0	140	...
1750	1.00	32	5.614	32	5.614	29.3	42.9	69.9	97.0	...	45.2	66.3	108.0	150	...
1750	1.00	34	5.965	34	5.965	33.0	48.2	78.7	109.0	...	48.4	71.0	116.0	161	...
1750	1.00	36	6.316	36	6.316	36.9	53.9	88.0	122.0	...	51.6	75.7	124.0	172	...
1750	1.00	38	6.667	38	6.667	39.8	58.1	94.8	132.0	...	54.8	80.4	131.0	182	...
1750	1.00	40	7.018	40	7.018	41.3	60.4	98.6	137.0	207	58.1	85.1	139.0	193	292
1750	1.00	44	7.720	44	7.720	44.3	64.8	106.0	147.0	222	64.4	94.5	155.0	215	325
1750	1.00	48	8.421	48	8.421	47.0	68.7	112.0	156.0	235	70.8	104.0	170.0	236	357
1750	1.00	52	9.123	52	9.123	49.4	72.2	118.0	163.0	247	77.1	113.0	185.0	257	389
1750	1.00	56	9.825	56	9.825	51.5	75.3	123.0	170.0	258	83.3	122.0	200.0	278	421
1750	1.00	60	10.527	60	10.527	53.3	77.9	127.0	176.0	266	89.3	131.0	215.0	299	453
1750	1.00	64	11.229	64	11.229	54.7	80.0	130.0	181.0	273	95.3	140.0	230.0	320	484
1750	1.00	68	11.930	68	11.930	55.8	81.5	133.0	184.0	279	101.0	149.0	244.0	340	515
1750	1.00	72	12.632	72	12.632	56.4	82.5	135.0	187.0	282	107.0	157.0	258.0	359	544
1750	1.00	80	14.036	80	14.036	56.6	82.8	135.0	187.0	283	117.0	173.0	285.0	397	602
1692	1.03	29	5.088	30	5.263	24.2	35.4	57.7	80.0	...	40.5	59.2	96.8	134	...
1690	1.04	28	4.912	29	5.088	22.6	33.0	53.9	74.7	...	38.9	56.9	93.0	129	...
1663	1.05	38	6.667	40	7.018	39.8	58.1	94.8	132.0	...	54.8	80.4	131.0	182	...
1658	1.06	36	6.316	38	6.667	36.9	53.9	88.0	122.0	...	51.6	75.7	124.0	172	...
1653	1.06	34	5.965	36	6.316	33.0	48.2	78.7	109.0	...	48.4	71.0	116.0	161	...
1653	1.06	68	11.930	72	12.632	55.8	81.5	133.0	184.0	279	101.0	149.0	244.0	340	515
1647	1.06	32	5.614	34	5.965	29.3	42.9	69.9	97.0	...	45.2	66.3	108.0	150	...
1647	1.06	64	11.229	68	11.930	54.7	80.0	130.0	181.0	273	95.3	140.0	230.0	320	484
1641	1.07	30	5.263	32	5.614	25.8	37.8	61.6	85.5	...	42.1	61.6	101.0	140	...
1641	1.07	60	10.527	64	11.229	53.3	77.9	127.0	176.0	266	89.3	131.0	215.0	299	453
1633	1.07	28	4.912	30	5.263	22.6	33.0	53.9	74.7	...	38.9	56.9	93.0	129	...
1633	1.07	56	9.825	60	10.527	51.5	75.3	123.0	170.0	258	83.3	122.0	200.0	278	421
1625	1.08	52	9.123	56	9.825	49.4	72.2	118.0	163.0	247	77.1	113.0	185.0	257	389
1615	1.08	48	8.421	52	9.123	47.0	68.7	112.0	156.0	235	70.8	104.0	170.0	236	357
1604	1.09	44	7.720	48	8.421	44.3	64.8	106.0	147.0	222	64.4	94.5	155.0	215	325
1591	1.10	40	7.018	44	7.720	41.3	60.4	98.6	137.0	207	58.1	85.1	139.0	193	292
1586	1.10	29	5.088	32	5.614	24.2	35.4	57.7	80.0	...	40.5	59.2	96.8	134	...
1575	1.11	36	6.316	40	7.018	36.9	53.9	88.0	122.0	...	51.6	75.7	124.0	172	...
1575	1.11	72	12.632	80	14.036	56.4	82.5	135.0	187.0	282	107.0	157.0	258.0	359	544
1566	1.12	34	5.965	38	6.667	33.0	48.2	78.7	109.0	...	48.4	71.0	116.0	161	...
1556	1.13	32	5.614	36	6.316	29.3	42.9	69.9	97.0	...	45.2	66.3	108.0	150	...
1556	1.13	64	11.229	72	12.632	54.7	80.0	130.0	181.0	273	95.3	140.0	230.0	320	484
1556	1.13	80	14.036	90	15.790	56.6	82.8	135.0	187.0	283	117.0	173.0	285.0	397	602
1544	1.13	30	5.263	34	5.965	25.8	37.8	61.6	85.5	...	42.1	61.6	101.0	140	...
1544	1.13	60	10.527	68	11.930	53.3	77.9	127.0	176.0	266	89.3	131.0	215.0	299	453
1531	1.14	28	4.912	32	5.614	22.6	33.0	53.9	74.7	...	38.9	56.9	93.0	129	...
1531	1.14	56	9.825	64	11.229	51.5	75.3	123.0	170.0	258	83.3	122.0	200.0	278	421
1517	1.15	52	9.123	60	10.527	49.4	72.2	118.0	163.0	247	77.1	113.0	185.0	257	389
1511	1.16	38	6.667	44	7.720	39.8	58.1	94.8	132.0	...	54.8	80.4	131.0	182	...
1500	1.17	48	8.421	56	9.825	47.0	68.7	112.0	156.0	235	70.8	104.0	170.0	236	357
1493	1.17	29	5.088	34	5.965	24.2	35.4	57.7	80.0	...	40.5	59.2	96.8	134	...
1488	1.18	34	5.965	40	7.018	33.0	48.2	78.7	109.0	...	48.4	71.0	116.0	161	...
1488	1.18	68	11.930	80	14.036	55.8	81.5	133.0	184.0	279	101.0	149.0	244.0	340	515
Multiply hp rating by belt length factor to determine drive width—BELT LENGTH FACTOR →															



HTS® 14 mm Drive Selection Tables

NOMINAL CENTER DISTANCES																						
BELT LENGTH CODE DESIGNATION																						
966	1190	1400	1610	1778	1890	2100	2310	2450	2590	2800	3150	3360	3500	3850	4326	4578	4956	5320*	5740*	6160*	6860*	
.8	.9	.95	1.0	1.05	1.1	.9																
11.3	15.7	19.8	24.0	27.3	29.5	33.6	37.8	40.5	43.3	47.4	54.3	58.4	61.2	68.1	77.4	82.4	89.8	97.0	105.3	113.5	127.3	
11.0	15.4	19.6	23.7	27.0	29.2	33.4	37.5	40.2	43.0	47.1	54.0	58.2	60.9	67.8	77.2	82.1	89.6	96.7	105.0	113.3	127.1	
10.8	15.2	19.3	23.4	26.7	28.9	33.1	37.2	40.0	42.7	46.9	53.7	57.9	60.6	67.5	76.9	81.9	89.3	96.5	104.7	113.0	126.8	
10.2	14.6	18.7	22.9	26.2	28.4	32.5	36.7	39.4	42.2	46.3	53.2	57.3	60.1	67.0	76.3	81.3	88.7	95.9	104.2	112.4	126.2	
9.7	14.1	18.2	22.3	25.6	27.8	32.0	36.1	38.9	41.6	45.8	52.6	56.8	59.5	66.4	75.8	80.8	88.2	95.4	103.6	111.9	125.7	
9.1	13.5	17.6	21.8	25.1	27.3	31.4	35.6	38.3	41.1	45.2	52.1	56.2	59.0	65.9	75.2	80.2	87.6	94.8	103.1	111.3	125.1	
8.5	13.0	17.1	21.2	24.5	26.7	30.9	35.0	37.8	40.5	44.7	51.5	55.7	58.4	65.3	74.7	79.7	87.1	94.3	102.5	110.8	124.6	
...	12.4	16.5	20.7	24.0	26.2	30.3	34.5	37.2	40.0	44.1	51.0	55.1	57.9	64.8	74.1	79.1	86.5	93.7	102.0	110.2	124.0	
...	11.3	15.4	19.6	22.9	25.1	29.2	33.4	36.1	38.9	43.0	49.9	54.0	56.8	63.7	73.0	78.0	85.4	92.6	100.9	109.1	122.9	
...	10.2	14.3	18.5	21.8	24.0	28.1	32.3	35.0	37.8	41.9	48.8	52.9	55.7	62.6	71.9	76.9	84.3	91.5	99.8	108.0	121.8	
...	...	13.2	17.4	20.7	22.9	27.0	31.1	33.9	36.7	40.8	47.7	51.8	54.6	61.5	70.8	75.8	83.2	90.4	98.7	106.9	120.7	
...	...	12.1	16.3	19.6	21.8	25.9	30.0	32.8	35.6	39.7	46.6	50.7	53.5	60.4	69.7	74.7	82.1	89.3	97.6	105.8	119.6	
...	15.2	18.5	20.7	24.8	29.8	31.7	34.5	38.6	45.5	49.6	52.4	59.3	68.6	73.6	81.0	88.2	96.5	104.7	118.5	
...	14.1	17.4	19.6	23.7	27.8	30.6	33.4	37.5	44.4	48.5	51.3	58.2	67.5	72.5	79.9	87.1	95.4	103.6	117.4	
...	16.3	18.5	22.6	26.7	29.5	32.3	36.4	43.3	47.4	50.2	57.1	66.4	71.4	78.8	86.0	94.3	102.5	116.3	
...	15.2	17.1	21.5	25.6	28.4	31.2	35.3	42.2	46.3	49.1	56.0	65.3	70.3	77.7	84.9	93.2	101.4	115.2	
...	15.2	19.3	23.4	26.2	28.9	33.1	40.0	44.1	46.9	53.8	63.1	68.1	75.5	82.7	91.0	99.2	113.0	126.8
10.9	15.3	19.4	23.6	26.9	29.1	33.2	37.3	40.1	42.9	47.0	53.9	58.0	60.8	67.7	77.0	82.0	89.4	96.6	104.9	113.1	126.9	
11.2	15.6	19.7	23.8	27.1	29.4	33.5	37.6	40.4	43.1	47.3	54.2	58.3	61.0	67.9	77.3	82.3	89.7	96.9	105.1	113.4	127.2	
8.3	12.7	16.8	20.9	24.3	26.5	30.6	34.7	37.5	40.2	44.4	51.3	55.4	58.2	65.0	74.4	79.4	86.8	94.0	102.2	110.5	124.3	
8.8	13.2	17.4	21.5	24.8	27.0	31.1	35.3	38.0	40.8	44.9	51.8	55.9	58.7	65.6	75.0	79.9	87.4	94.5	102.8	111.1	124.8	
9.4	13.8	17.9	22.1	25.4	27.6	31.7	35.8	38.6	41.3	45.5	52.4	56.5	59.3	66.1	75.5	80.5	87.9	95.1	103.4	111.6	125.4	
...	15.7	17.9	22.1	26.2	28.9	31.7	35.8	42.7	46.9	49.6	56.5	65.9	70.8	78.3	85.4	93.7	102.0	115.8	
9.9	14.3	18.5	22.6	25.9	28.1	32.2	36.4	39.1	41.9	46.0	52.9	57.1	59.8	66.7	76.1	81.0	88.5	95.6	103.9	112.2	125.9	
...	13.5	16.8	19.0	23.2	27.3	30.0	32.8	36.9	43.8	48.0	50.7	57.6	67.0	71.9	79.4	86.5	94.8	103.1	116.9	
10.5	14.9	19.0	23.2	26.5	28.7	32.8	36.9	39.7	42.4	46.6	53.5	57.6	60.4	67.2	76.6	81.6	89.0	96.2	104.5	112.7	126.5	
...	14.6	17.9	20.1	24.3	28.4	31.1	33.9	38.0	44.9	49.1	51.8	58.7	68.1	73.0	80.5	87.6	95.9	104.2	118.0	
11.0	15.4	19.6	23.7	27.0	29.2	33.3	37.5	40.2	43.0	47.1	54.0	58.2	60.9	67.8	77.2	82.1	89.6	96.7	105.0	113.3	127.1	
...	...	11.6	15.7	19.0	21.2	25.4	29.5	32.3	35.0	39.1	46.0	50.2	52.9	59.8	69.2	74.1	81.6	88.7	97.0	105.3	119.1	
...	...	12.7	16.8	20.1	22.3	26.5	30.6	33.4	36.1	40.2	47.1	51.3	54.0	60.9	70.3	75.2	82.7	89.8	98.1	106.4	120.2	
...	...	13.8	17.9	21.2	23.4	27.6	31.7	34.5	37.2	41.3	48.2	52.4	55.1	62.0	71.4	76.3	83.8	91.0	99.2	107.5	121.3	
...	10.7	14.9	19.0	22.3	24.5	28.7	32.8	35.6	38.3	42.4	49.3	53.5	56.2	63.1	72.5	77.4	84.9	92.1	100.3	108.6	122.4	
...	11.9	16.0	20.1	23.4	25.6	29.8	33.9	36.7	39.4	43.5	50.4	54.6	57.3	64.2	73.6	78.5	86.0	93.2	101.4	109.7	123.5	
10.6	15.0	19.2	23.3	26.6	28.8	32.9	37.1	39.8	42.6	46.7	53.6	57.7	60.5	67.4	76.8	81.7	89.2	96.3	104.6	112.9	126.6	
8.5	13.0	17.1	21.2	24.5	26.7	30.9	35.0	37.8	40.5	44.6	51.5	55.7	58.4	65.3	74.7	79.7	87.1	94.3	102.5	110.8	124.6	
...	16.3	20.4	24.5	27.3	30.0	34.2	41.1	45.2	48.0	54.8	64.2	69.2	76.6	83.8	92.1	100.3	114.1	
9.1	13.5	17.6	21.8	25.1	27.3	31.4	35.6	38.3	41.1	45.2	52.1	56.2	59.0	65.9	75.2	80.2	87.6	94.8	103.1	111.3	125.1	
9.6	14.1	18.2	22.3	25.6	27.8	32.0	36.1	38.9	41.6	45.8	52.6	56.8	59.5	66.4	75.8	80.8	88.2	95.4	103.6	111.9	125.7	
...	16.3	18.5	22.6	26.7	29.5	32.2	36.4	43.3	47.4	50.2	57.1	66.4	71.4	78.8	86.0	94.3	102.5	116.3	
...	17.9	22.0	24.8	27.6	31.7	38.6	42.7	45.5	52.4	61.7	66.7	74.1	81.3	89.6	97.8	111.6	
10.2	14.6	18.7	22.9	26.2	28.4	32.5	36.7	39.4	42.2	46.3	53.2	57.3	60.1	67.0	76.3	81.3	88.7	95.9	104.2	112.4	126.2	
...	14.0	17.4	19.6	23.7	27.8	30.6	33.3	37.5	44.4	48.5	51.3	58.2	67.5	72.5	79.9	87.1	95.4	103.6	117.4	
10.7	15.2	19.3	23.4	26.7	28.9	33.1	37.2	40.0	42.7	46.9	53.7	57.9	60.6	67.5	76.9	81.9	89.3	96.5	104.7	113.0	126.8	
...	15.1	18.5	20.7	24.8	28.9	31.7	34.4	38.6	45.5	49.6	52.4	59.3	68.6	73.6	81.0	88.2	96.5	104.7	118.5	
...	...	12.1	16.3	19.6	21.8	25.9	30.0	32.8	35.6	39.7	46.6	50.7	53.5	60.4	69.7	74.7	82.1	89.3	97.6	105.8	119.6	
...	12.1	16.3	20.4	23.7	25.9	30.0	34.2	36.9	39.7	43.8	50.7	54.8	57.6	64.5	73.9	78.8	86.3	93.4	101.7	110.0	123.7	
...	...	13.2	17.4	20.7	22.9	27.0	31.1	33.9	36.7	40.8	47.7	51.8	54.6	61.5	70.8	75.8	83.2	90.4	98.7	106.9	120.7	
10.3	14.7	18.9	23.0	26.3	28.5	32.7	36.8	39.5	42.3	46.4	53.3	57.5	60.2	67.1	76.5	81.4	88.9	96.0	104.3	112.6	126.4	
8.8	13.2	17.4	21.5	24.8	27.0	31.1	35.3	38.0	40.8	44.9	51.8	55.9	58.7	65.6	75.0	79.9	87.4	94.5	102.8	111.1	124.8	
...	14.6	16.8	20.9	25.1	27.8	30.6	34.7	41.6	45.7	48.5	55.4	64.8	69.7	77.2	84.3	92.6	100.9	114.7	
.8	.9	.95	1.0	1.05	1.1	.9																

* These belts are not available in RPP construction.

HTS® 14 mm Drive Selection Tables



DN RPM	Drive Ratio	Sprocket Combination				HP Ratings @ 1750 RPM Driver									
		Driver		Driven		RPP™ Belt Widths					RPP™ PLUS Belt Widths				
		No. Teeth	P.D.	No. Teeth	P.D.	40	55	85	115	170	40	55	85	115	170
Multiply hp rating by belt length factor to determine drive width—BELT LENGTH FACTOR →															
1481	1.18	44	7.720	52	9.123	44.3	64.8	106.0	147.0	222	64.4	94.5	155.0	215	325
1474	1.19	32	5.614	38	6.667	29.3	42.9	69.9	97.0	...	45.2	66.3	108.0	150	...
1458	1.20	30	5.263	36	6.316	25.8	37.8	61.6	85.5	...	42.1	61.6	101.0	140	...
1458	1.20	40	7.018	48	8.421	41.3	60.4	98.6	137.0	207	58.1	85.1	139.0	193	292
1458	1.20	60	10.527	72	12.632	53.3	77.9	127.0	176.0	266	89.3	131.0	215.0	299	453
1441	1.21	28	4.912	34	5.965	22.6	33.0	53.9	74.7	...	38.9	56.9	93.0	129	...
1441	1.21	56	9.825	68	11.930	51.5	75.3	123.0	170.0	258	83.3	122.0	200.0	278	421
1432	1.22	36	6.316	44	7.720	36.9	53.9	88.0	122.0	...	51.6	75.7	124.0	172	...
1422	1.23	52	9.123	64	11.229	49.4	72.2	118.0	163.0	247	77.1	113.0	185.0	257	389
1410	1.24	29	5.088	36	6.316	24.2	35.4	57.7	80.0	...	40.5	59.2	96.8	134	...
1400	1.25	32	5.614	40	7.018	29.3	42.9	69.9	97.0	...	45.2	66.3	108.0	150	...
1400	1.25	48	8.421	60	10.527	47.0	68.7	112.0	156.0	235	70.8	104.0	170.0	236	357
1400	1.25	64	11.229	80	14.036	54.7	80.0	130.0	181.0	273	95.3	140.0	230.0	320	484
1400	1.25	72	12.632	90	15.790	56.4	82.5	135.0	187.0	282	107.0	157.0	258.0	359	544
1385	1.26	38	6.667	48	8.421	39.8	58.1	94.8	132.0	...	54.8	80.4	131.0	182	...
1382	1.27	30	5.263	38	6.667	25.8	37.8	61.6	85.5	...	42.1	61.6	101.0	140	...
1375	1.27	44	7.720	56	9.825	44.3	64.8	106.0	147.0	222	64.4	94.5	155.0	215	325
1361	1.29	28	4.912	36	6.316	22.6	33.0	53.9	74.7	...	38.9	56.9	93.0	129	...
1361	1.29	56	9.825	72	12.632	51.5	75.3	123.0	170.0	258	83.3	122.0	200.0	278	421
1352	1.29	34	5.965	44	7.720	33.0	48.2	78.7	109.0	...	48.4	71.0	116.0	161	...
1346	1.30	40	7.018	52	9.123	41.3	60.4	98.6	137.0	207	58.1	85.1	139.0	193	292
1338	1.31	52	9.123	68	11.930	49.4	72.2	118.0	163.0	247	77.1	113.0	185.0	257	389
1336	1.31	29	5.088	38	6.667	24.2	35.4	57.7	80.0	...	40.5	59.2	96.8	134	...
1322	1.32	68	11.930	90	15.790	55.8	81.5	133.0	184.0	279	101.0	149.0	244.0	340	515
1313	1.33	30	5.263	40	7.018	25.8	37.8	61.6	85.5	...	42.1	61.6	101.0	140	...
1313	1.33	36	6.316	48	8.421	36.9	53.9	88.0	122.0	...	51.6	75.7	124.0	172	...
1313	1.33	48	8.421	64	11.229	47.0	68.7	112.0	156.0	235	70.8	104.0	170.0	236	357
1313	1.33	60	10.527	80	14.036	53.3	77.9	127.0	176.0	266	89.3	131.0	215.0	299	453
1289	1.36	28	4.912	38	6.667	22.6	33.0	53.9	74.7	...	38.9	56.9	93.0	129	...
1283	1.36	44	7.720	60	10.527	44.3	64.8	106.0	147.0	222	64.4	94.5	155.0	215	325
1279	1.37	38	6.667	52	9.123	39.8	58.1	94.8	132.0	...	54.8	80.4	131.0	182	...
1273	1.38	32	5.614	44	7.720	29.3	42.9	69.9	97.0	...	45.2	66.3	108.0	150	...
1269	1.38	29	5.088	40	7.018	24.2	35.4	57.7	80.0	...	40.5	59.2	96.80	134	...
1264	1.38	52	9.123	72	12.632	49.4	72.2	118.0	163.0	247	77.1	113.0	185.0	257	389
1250	1.40	40	7.018	56	9.825	41.3	60.4	98.6	137.0	207	58.1	85.1	139.0	193	292
1250	1.40	80	14.036	112	19.650	56.6	82.8	135.0	187.0	283	117.0	173.0	285.0	397	602
1244	1.41	64	11.229	90	15.790	54.7	80.0	130.0	181.0	273	95.3	140.0	230.0	320	484
1240	1.41	34	5.965	48	8.421	33.0	48.2	78.7	109.0	...	48.4	71.0	116.0	161	...
1235	1.42	48	8.421	68	11.930	47.0	68.7	112.0	156.0	235	70.8	104.0	170.0	236	357
1225	1.43	28	4.912	40	7.018	22.6	33.0	53.9	74.7	...	38.9	56.9	93.0	129	...
1225	1.43	56	9.825	80	14.036	51.5	75.3	123.0	170.0	258	83.3	122.0	200.0	278	421
1212	1.44	36	6.316	52	9.123	36.9	53.9	88.0	122.0	...	51.6	75.7	124.0	172	...
1203	1.45	44	7.720	64	11.229	44.3	64.8	106.0	147.0	222	64.4	94.5	155.0	215	325
1193	1.47	30	5.263	44	7.720	25.8	37.8	61.6	85.5	...	42.1	61.6	101.0	140	...
1188	1.47	38	6.667	56	9.825	39.8	58.1	94.8	132.0	...	54.8	80.4	131.0	182	...
1167	1.50	32	5.614	48	8.421	29.3	42.9	69.9	97.0	...	45.2	66.3	108.0	150	...
1167	1.50	40	7.018	60	10.527	41.3	60.4	98.6	137.0	207	58.1	85.1	139.0	193	292
1167	1.50	48	8.421	72	12.632	47.0	68.7	112.0	156.0	235	70.8	104.0	170.0	236	357
1167	1.50	60	10.527	90	15.790	53.3	77.9	127.0	176.0	266	89.3	131.0	215.0	299	453
1153	1.52	29	5.088	44	7.720	24.2	35.4	57.7	80.0	...	40.5	59.2	96.8	134	...
Multiply hp rating by belt length factor to determine drive width—BELT LENGTH FACTOR →															



HTS® 14 mm Drive Selection Tables

NOMINAL CENTER DISTANCES																					
BELT LENGTH CODE DESIGNATION																					
966	1190	1400	1610	1778	1890	2100	2310	2450	2590	2800	3150	3360	3500	3850	4326	4578	4956	5320*	5740*	6160*	6860*
.8	.9	.95	1.0	1.05	1.1	.9															
...	10.2	14.3	18.5	21.8	24.0	28.1	32.2	35.0	37.8	41.9	48.8	52.9	55.7	62.6	71.9	76.9	84.3	91.5	99.8	108.0	121.8
9.4	13.8	17.9	22.0	25.4	27.6	31.7	35.8	38.6	41.3	45.5	52.4	56.5	59.3	66.1	75.5	80.5	87.9	95.1	103.3	111.6	125.4
9.9	14.3	18.5	22.6	25.9	28.1	32.2	36.4	39.1	41.9	46.0	52.9	57.0	59.8	66.7	76.1	81.0	88.5	95.6	103.9	112.2	125.9
...	11.3	15.4	19.6	22.9	25.1	29.2	33.3	36.1	38.9	43.0	49.9	54.0	56.8	63.7	73.0	78.0	85.4	92.6	100.9	109.1	122.9
...	13.5	16.8	19.0	23.1	27.3	30.0	32.8	36.9	43.8	47.9	50.7	57.6	67.0	71.9	79.4	86.5	94.8	103.1	116.9
10.5	14.9	19.0	23.1	26.5	28.7	32.8	36.9	39.7	42.4	46.6	53.5	57.6	60.4	67.2	76.6	81.6	89.0	96.2	104.5	112.7	126.5
...	14.6	17.9	20.1	24.2	28.4	31.1	33.9	38.0	44.9	49.1	51.8	58.7	68.1	73.0	80.5	87.6	95.9	104.2	118.0
...	12.4	16.5	20.7	24.0	26.2	30.3	34.4	37.2	40.0	44.1	51.0	55.1	57.9	64.8	74.1	79.1	86.5	93.7	102.0	110.2	124.0
...	...	11.5	15.7	19.0	21.2	25.3	29.5	32.2	35.0	39.1	46.0	50.2	52.9	59.8	69.2	74.1	81.6	88.7	97.0	105.3	119.1
10.0	14.5	18.6	22.7	26.0	28.2	32.4	36.5	39.3	42.0	46.2	53.1	57.2	59.9	66.8	76.2	81.2	88.6	95.8	104.0	112.3	126.1
9.1	13.5	17.6	21.8	25.1	27.3	31.4	35.5	38.3	41.1	45.2	52.1	56.2	59.0	65.9	75.2	80.2	87.6	94.8	103.1	111.3	125.1
...	...	12.6	16.8	20.1	22.3	26.4	30.6	33.3	36.1	40.2	47.1	51.3	54.0	60.9	70.3	75.2	82.7	89.8	98.1	106.4	120.2
...	15.1	17.3	21.5	25.6	28.4	31.1	35.3	42.1	46.3	49.0	55.9	65.3	70.3	77.7	84.9	93.1	101.4	115.2
...	19.0	23.1	25.9	28.6	32.8	39.7	43.8	46.6	53.5	62.8	67.8	75.2	82.4	90.7	98.9	112.7
...	11.5	15.7	19.8	23.1	25.3	29.5	33.6	36.4	39.1	43.3	50.2	54.3	57.0	63.9	73.3	78.3	85.7	92.9	101.1	109.4	123.2
9.6	14.0	18.2	22.3	25.6	27.8	32.0	36.1	38.9	41.6	45.7	52.6	56.8	59.5	66.4	75.8	80.7	88.2	95.4	103.6	111.9	125.7
...	...	13.7	17.9	21.2	23.4	27.5	31.7	34.4	37.2	41.3	48.2	52.4	55.1	62.0	71.4	76.3	83.8	90.9	99.2	107.5	121.3
10.2	14.6	18.7	22.9	26.2	28.4	32.5	36.7	39.4	42.2	46.3	53.2	57.3	60.1	67.0	76.3	81.3	88.7	95.9	104.2	112.4	126.2
...	14.0	17.3	19.5	23.7	27.8	30.6	33.3	37.5	44.4	48.5	51.2	58.1	67.5	72.5	79.9	87.1	95.4	103.6	117.4
8.2	12.6	16.8	20.9	24.2	26.4	30.6	34.7	37.5	40.2	44.4	51.3	55.4	58.1	65.0	74.4	79.4	86.8	94.0	102.2	110.5	124.3
...	10.7	14.8	19.0	22.3	24.5	28.6	32.8	35.5	38.3	42.4	49.3	53.5	56.2	63.1	72.5	77.4	84.9	92.0	100.3	108.6	122.4
...	15.1	18.4	20.6	24.8	28.9	31.7	34.4	38.6	45.5	49.6	52.4	59.2	68.6	73.6	81.0	88.2	96.5	104.7	118.5
9.8	14.2	18.3	22.5	25.8	28.0	32.1	36.2	39.0	41.7	45.9	52.8	56.9	59.7	66.6	75.9	80.9	88.3	95.5	103.8	112.0	125.8
...	15.3	17.5	21.5	25.6	28.4	31.1	35.3	42.1	46.3	49.0	55.9	65.3	70.3	77.7	84.9	93.1	101.4	115.2
9.3	13.8	17.9	22.0	25.3	27.5	31.7	35.8	38.6	41.3	45.5	52.4	56.5	59.2	66.1	75.5	80.5	87.9	95.1	103.3	111.6	125.4
...	11.8	16.0	20.1	23.4	25.6	29.7	33.9	36.6	39.4	43.5	50.4	54.6	57.3	64.2	73.6	78.5	86.0	93.1	101.4	109.7	123.5
...	...	12.0	16.2	19.5	21.7	25.9	30.0	32.8	35.5	39.7	46.6	50.7	53.5	60.3	69.7	74.7	82.1	89.3	97.6	105.8	119.6
...	15.6	17.8	22.0	26.1	28.9	31.6	35.8	42.7	46.8	49.6	56.5	65.9	70.8	78.3	85.4	93.7	102.0	115.7
9.9	14.3	18.4	22.6	25.9	28.1	32.2	36.4	39.1	41.9	46.0	52.9	57.0	59.8	66.7	76.1	81.0	88.5	95.6	103.9	112.2	125.9
...	...	13.2	17.3	20.6	22.8	27.0	31.1	33.9	36.6	40.8	47.7	51.8	54.6	61.4	70.8	75.8	83.2	90.4	98.7	106.9	120.7
...	11.0	15.1	19.3	22.6	24.8	28.9	33.1	35.8	38.6	42.7	49.6	53.7	56.5	63.4	72.8	77.7	85.2	92.3	100.6	108.9	122.6
8.5	12.9	17.1	21.2	24.5	26.7	30.9	35.0	37.7	40.5	44.6	51.5	55.7	58.4	65.3	74.7	79.6	87.1	94.3	102.5	110.8	124.6
9.5	13.9	18.0	22.2	25.5	27.7	31.8	36.0	38.7	41.5	45.6	52.5	56.6	59.4	66.3	75.6	80.6	88.1	95.2	103.5	111.8	125.5
...	14.5	17.8	20.0	24.2	28.3	31.1	33.9	38.0	44.9	49.0	51.8	58.7	68.1	73.0	80.5	87.6	95.9	104.2	117.9
...	10.1	14.3	18.4	21.7	23.9	28.1	32.2	35.0	37.7	41.9	48.8	52.9	55.7	62.5	71.9	76.9	84.3	91.5	99.8	108.0	121.8
...	18.8	21.6	24.4	28.5	35.4	39.6	42.4	49.3	58.6	63.6	71.1	78.2	86.5	94.8	108.6
...	15.8	20.0	24.1	26.9	29.7	33.8	40.7	44.9	47.6	54.5	63.9	68.9	76.3	83.5	91.8	100.0	113.8
...	12.1	16.2	20.4	23.7	25.9	30.0	34.2	36.9	39.7	43.8	50.7	54.8	57.6	64.5	73.9	78.8	86.3	93.4	101.7	110.0	123.7
...	...	11.4	15.6	18.9	21.1	25.3	29.4	32.2	35.0	39.1	46.0	50.1	52.9	59.8	69.2	74.1	81.6	88.7	97.0	105.3	119.0
9.6	14.0	18.2	22.3	25.6	27.8	32.0	36.1	38.8	41.6	45.7	52.6	56.8	59.5	66.4	75.8	80.7	88.2	95.4	103.6	111.9	125.7
...	16.1	18.3	22.5	26.7	29.4	32.2	36.3	43.2	47.4	50.1	57.0	66.4	71.4	78.8	86.0	94.2	102.5	116.3
...	11.2	15.4	19.5	22.8	25.0	29.2	33.3	36.1	38.8	43.0	49.9	54.0	56.8	63.7	73.0	78.0	85.4	92.6	100.9	109.1	122.9
...	...	12.6	16.7	20.0	22.3	26.4	30.5	33.3	36.1	40.2	47.1	51.2	54.0	60.9	70.3	75.2	82.7	89.8	98.1	106.4	120.2
8.7	13.2	17.3	21.5	24.8	27.0	31.1	35.3	38.0	40.8	44.9	51.8	55.9	58.7	65.6	75.0	79.9	87.4	94.5	102.8	111.1	124.8
...	10.3	14.5	18.7	22.0	24.2	28.3	32.5	35.2	38.0	42.1	49.0	53.2	55.9	62.8	72.2	77.2	84.6	91.8	100.0	108.3	122.1
...	12.3	16.5	20.6	23.9	26.1	30.3	34.4	37.2	39.9	44.1	51.0	55.1	57.9	64.8	74.1	79.1	86.5	93.7	102.0	110.2	124.0
...	...	13.7	17.8	21.1	23.4	27.5	31.6	34.4	37.2	41.3	48.2	52.3	55.1	62.0	71.4	76.3	83.8	90.9	99.2	107.5	121.3
...	15.0	18.3	20.6	24.7	28.9	31.6	34.4	38.5	45.4	49.6	52.3	59.2	68.6	73.6	81.0	88.2	96.4	104.7	118.5
...	16.3	20.5	24.7	27.4	30.2	34.3	41.3	45.4	48.2	55.1	64.4	69.4	76.9	84.0	92.3	100.6	114.3
8.9	13.3	17.5	21.6	24.9	27.1	31.3	35.4	38.1	40.9	45.0	51.9	56.1	58.8	65.7	75.1	80.1	87.5	94.7	102.9	111.2	125.0
.8	.9	.95	1.0	1.05	1.1	.9															

* These belts are not available in RPP construction.

HTS® 14 mm Drive Selection Tables



DN RPM	Drive Ratio	Sprocket Combination				HP Ratings @ 1750 RPM Driver									
		Driver		Driven		RPP™ Belt Widths					RPP™ PLUS Belt Widths				
		No. Teeth	P.D.	No. Teeth	P.D.	40	55	85	115	170	40	55	85	115	170
Multiply hp rating by belt length factor to determine drive width—BELT LENGTH FACTOR →															
1144	1.53	34	5.965	52	9.123	33.0	48.2	78.7	109.0	...	48.4	71.0	116.0	161	...
1138	1.54	52	9.123	80	14.036	49.4	72.2	118.0	163.0	247	77.1	113.0	185.0	257	389
1132	1.55	44	7.720	68	11.930	44.3	64.8	106.0	147.0	222	64.4	94.5	155.0	215	325
1125	1.56	36	6.316	56	9.825	36.9	53.9	88.0	122.0	...	51.6	75.7	124.0	172	...
1125	1.56	72	12.632	112	19.650	56.4	82.5	135.0	187.0	282	107.0	157.0	258.0	359	544
1114	1.57	28	4.912	44	7.720	22.6	33.0	53.9	74.7	...	38.9	56.9	93.0	129	...
1108	1.58	38	6.667	60	10.527	39.8	58.1	94.8	132.0	...	54.8	80.4	131.0	182	...
1094	1.60	30	5.263	48	8.421	25.8	37.8	61.6	85.5	...	42.1	61.6	101.0	140	...
1094	1.60	40	7.018	64	11.229	41.3	60.4	98.6	137.0	207	58.1	85.1	139.0	193	292
1089	1.61	56	9.825	90	15.790	51.5	75.3	123.0	170.0	258	83.3	122.0	200.0	278	421
1077	1.63	32	5.614	52	9.123	29.3	42.9	69.9	97.0	...	45.2	66.3	108.0	150	...
1069	1.64	44	7.720	72	12.632	44.3	64.8	106.0	147.0	222	64.4	94.5	155.0	215	325
1063	1.65	34	5.965	56	9.825	33.0	48.2	78.7	109.0	...	48.4	71.0	116.0	161	...
1063	1.65	68	11.930	112	19.650	55.8	81.5	133.0	184.0	279	101.0	149.0	244.0	340	515
1057	1.66	29	5.088	48	8.421	24.2	35.4	57.7	80.0	...	40.5	59.2	96.8	134	...
1050	1.67	36	6.316	60	10.527	36.9	53.9	88.0	122.0	...	51.6	75.7	124.0	172	...
1050	1.67	48	8.421	80	14.036	47.0	68.7	112.0	156.0	235	70.8	104.0	170.0	236	357
1039	1.68	38	6.667	64	11.229	39.8	58.1	94.8	132.0	...	54.8	80.4	131.0	182	...
1029	1.70	40	7.018	68	11.930	41.3	60.4	98.6	137.0	207	58.1	85.1	139.0	193	292
1021	1.71	28	4.912	48	8.421	22.6	33.0	53.9	74.7	...	38.9	56.9	93.0	129	...
1011	1.73	52	9.123	90	15.790	49.4	72.2	118.0	163.0	247	77.1	113.0	185.0	257	389
1010	1.73	30	5.263	52	9.123	25.8	37.8	61.6	85.5	...	42.1	61.6	101.0	140	...
1000	1.75	32	5.614	56	9.825	29.3	42.9	69.9	97.0	...	45.2	66.3	108.0	150	...
1000	1.75	64	11.229	112	19.650	54.7	80.0	130.0	181.0	273	95.3	140.0	230.0	320	484
992	1.76	34	5.965	60	10.527	33.0	48.2	78.7	109.0	...	48.4	71.0	116.0	161	...
984	1.78	36	6.316	64	11.229	36.9	53.9	88.0	122.0	...	51.6	75.7	124.0	172	...
978	1.79	38	6.667	68	11.930	39.8	58.1	94.8	132.0	...	54.8	80.4	131.0	182	...
976	1.79	29	5.088	52	9.123	24.2	35.4	57.7	80.0	...	40.5	59.2	96.8	134	...
972	1.80	40	7.018	72	12.632	41.3	60.4	98.6	137.0	207	58.1	85.1	139.0	193	292
972	1.80	80	14.036	144	25.264	56.6	82.8	135.0	187.0	283	117.0	173.0	285.0	397	602
963	1.82	44	7.720	80	14.036	44.3	64.8	106.0	147.0	222	64.4	94.5	155.0	215	325
942	1.86	28	4.912	52	9.123	22.6	33.0	53.9	74.7	...	38.9	56.9	93.0	129	...
938	1.87	30	5.263	56	9.825	25.8	37.8	61.6	85.5	...	42.1	61.6	101.0	140	...
938	1.87	60	10.527	112	19.650	53.3	77.9	127.0	85.5	266	89.3	131.0	215.0	299	453
933	1.88	32	5.614	60	10.527	29.3	42.9	69.9	176.0	...	45.2	66.3	108.0	150	...
933	1.88	48	8.421	90	15.790	47.0	68.7	112.0	97.0	235	70.8	104.0	170.0	236	357
930	1.88	34	5.965	64	11.229	33.0	48.2	78.7	156.0	...	48.4	71.0	116.0	161	...
926	1.89	36	6.316	68	11.930	36.9	53.9	88.0	109.0	...	51.6	75.7	124.0	172	...
924	1.89	38	6.667	72	12.632	39.8	58.1	94.8	122.0	...	54.8	80.4	131.0	182	...
906	1.93	29	5.088	56	9.825	24.2	35.4	57.7	132.0	...	40.5	59.2	96.8	134	...
875	2.00	28	4.912	56	9.825	22.6	33.0	53.9	80.0	...	38.9	56.9	93.0	129	...
875	2.00	30	5.263	60	10.527	25.8	37.8	61.6	74.7	...	42.1	61.6	101.0	140	...
875	2.00	32	5.614	64	11.229	29.3	42.9	69.9	85.5	...	45.2	66.3	108.0	150	...
875	2.00	34	5.965	68	11.930	33.0	48.2	78.7	97.0	...	48.4	71.0	116.0	161	...
875	2.00	36	6.316	72	12.632	36.9	53.9	88.0	109.0	...	51.6	75.7	124.0	172	...
875	2.00	40	7.018	80	14.036	41.3	60.4	98.6	122.0	207	58.1	85.1	139.0	193	292
875	2.00	56	9.825	112	19.650	51.5	75.3	123.0	137.0	258	83.3	122.0	200.0	278	421
875	2.00	72	12.632	144	25.264	56.4	82.5	135.0	170.0	282	107.0	157.0	258.0	359	544
856	2.05	44	7.720	90	15.790	44.3	64.8	106.0	187.0	222	64.4	94.5	155.0	215	325
846	2.07	29	5.088	60	10.527	24.2	35.4	57.7	147.0	...	40.5	59.2	96.8	134	...
									80.0						
Multiply hp rating by belt length factor to determine drive width—BELT LENGTH FACTOR →															



HTS® 14 mm Drive Selection Tables

NOMINAL CENTER DISTANCES																						
BELT LENGTH CODE DESIGNATION																						
966	1190	1400	1610	1778	1890	2100	2310	2450	2590	2800	3150	3360	3500	3850	4326	4578	4956	5320*	5740*	6160*	6860*	
.8	.9	.95	1.0	1.05	1.1	.9																
...	11.5	15.6	19.8	23.1	25.3	29.4	33.6	36.3	39.1	43.2	50.1	54.3	57.0	63.9	73.3	78.3	85.7	92.9	101.1	109.4	123.2	
...	13.3	16.6	18.9	23.0	27.2	29.9	32.7	36.8	43.8	47.9	50.7	57.6	66.9	71.9	79.3	86.5	94.8	103.0	116.8	
...	...	11.9	16.1	19.5	21.7	25.8	30.0	32.7	35.5	39.6	46.5	50.7	53.4	60.3	69.7	74.7	82.1	89.3	97.5	105.8	119.6	
...	10.6	14.8	18.9	22.3	24.5	28.6	32.8	35.5	38.3	42.4	49.3	53.4	56.2	63.1	72.5	77.4	84.9	92.0	100.3	108.6	122.4	
...	19.8	22.6	25.4	29.6	36.5	40.6	43.4	50.3	59.7	64.7	72.1	79.3	87.6	95.8	109.6	
...	13.4	17.6	21.7	25.0	27.2	31.4	35.5	38.3	41.0	45.2	52.1	56.2	59.0	65.9	75.2	80.2	87.6	94.8	103.1	111.3	125.1	
...	9.7	13.9	18.1	21.4	23.6	27.8	31.9	34.7	37.4	41.6	48.5	52.6	55.4	62.3	71.6	76.6	84.0	91.2	99.5	107.7	121.5	
...	12.6	16.7	20.9	24.2	26.4	30.6	34.7	37.4	40.2	44.3	51.2	55.4	58.1	65.0	74.4	79.4	86.8	94.0	102.2	110.5	124.3	
...	...	13.1	17.2	20.6	22.8	26.9	31.1	33.8	36.6	40.7	47.6	51.8	54.5	61.4	70.8	75.8	83.2	90.4	98.6	106.9	120.7	
...	14.6	16.8	21.0	25.2	27.9	30.7	34.9	41.8	45.9	48.7	55.6	65.0	69.9	77.4	84.6	92.8	101.1	114.9	
...	11.7	15.9	20.0	23.4	25.6	29.7	33.9	36.6	39.4	43.5	50.4	54.5	57.3	64.2	73.6	78.5	86.0	93.1	101.4	109.7	123.5	
...	15.5	18.9	21.1	25.2	29.4	32.2	34.9	39.1	46.0	50.1	52.9	59.8	69.1	74.1	81.5	88.7	97.0	105.3	119.0	
...	10.8	15.0	19.2	22.5	24.7	28.9	33.0	35.8	38.5	42.7	49.6	53.7	56.5	63.4	72.7	77.7	85.1	92.3	100.6	108.8	122.6	
...	20.3	23.1	25.9	30.1	37.0	41.2	43.9	50.8	60.2	65.2	72.7	79.8	88.1	96.4	110.2	
...	12.7	16.9	21.0	24.3	26.5	30.7	34.8	37.6	40.3	44.5	51.4	55.5	58.3	65.2	74.5	79.5	86.9	94.1	102.4	110.6	124.4	
...	10.0	14.2	18.3	21.7	23.9	28.0	32.2	34.9	37.7	41.8	48.7	52.9	55.6	62.5	71.9	76.9	84.3	91.5	99.7	108.0	121.8	
...	13.8	17.1	19.4	23.5	27.7	30.5	33.2	37.4	44.3	48.4	51.2	58.1	67.5	72.4	79.9	87.0	95.3	103.6	117.4	
...	...	13.3	17.5	20.8	23.0	27.2	31.3	34.1	36.9	41.0	47.9	52.0	54.8	61.7	71.1	76.0	83.5	90.6	98.9	107.2	121.0	
...	...	12.4	16.6	20.0	22.2	26.3	30.5	33.3	36.0	40.2	47.1	51.2	54.0	60.9	70.2	75.2	82.6	89.8	98.1	106.4	120.1	
...	12.8	17.0	21.1	24.5	26.7	30.8	35.0	37.7	40.5	44.6	51.5	55.6	58.4	65.3	74.7	79.6	87.1	94.2	102.5	110.8	124.6	
...	15.1	17.3	21.5	25.7	28.5	31.2	35.4	42.3	46.5	49.2	56.1	65.5	70.5	77.9	85.1	93.4	101.6	115.4	
...	12.0	16.1	20.3	23.6	25.8	30.0	34.1	36.9	39.6	43.8	50.7	54.8	57.6	64.5	73.8	78.8	86.2	93.4	101.7	109.9	123.7	
...	11.1	15.3	19.4	22.8	25.0	29.1	33.3	36.0	38.8	42.9	49.8	54.0	56.7	63.6	73.0	78.0	85.4	92.6	100.8	109.1	122.9	
...	20.8	23.6	26.4	30.6	37.5	41.7	44.4	51.4	60.8	65.7	73.2	80.4	88.6	96.9	110.7	
...	10.2	14.4	18.6	21.9	24.1	28.3	32.4	35.2	38.0	42.1	49.0	53.1	55.9	62.8	72.2	77.1	84.6	91.7	100.0	108.3	122.1	
...	...	13.5	17.7	21.1	23.3	27.4	31.6	34.4	37.1	41.3	48.2	52.3	55.1	62.0	71.3	76.3	83.7	90.9	99.2	107.5	121.2	
...	...	12.7	16.9	20.2	22.4	26.6	30.8	33.5	36.3	40.4	47.3	51.5	54.2	61.1	70.5	75.5	82.9	90.1	98.4	106.6	120.4	
...	12.1	16.3	20.4	23.8	26.0	30.1	34.3	37.0	39.8	43.9	50.8	54.9	57.7	64.6	74.0	78.9	86.4	93.5	101.8	110.1	123.9	
...	...	11.8	16.0	19.4	21.6	25.7	29.9	32.7	35.4	39.6	46.5	50.6	53.4	60.3	69.7	74.6	82.1	89.3	97.5	105.8	119.6	
...	23.6	30.6	34.8	37.6	44.6	54.0	59.0	66.5	73.6	81.9	90.2	104.0	
...	14.2	17.6	19.9	24.0	28.2	31.0	33.7	37.9	44.8	49.0	51.7	58.6	68.0	73.0	80.4	87.6	95.9	104.1	117.9	
...	12.2	16.4	20.6	23.9	26.1	30.2	34.4	37.1	39.9	44.0	50.9	55.1	57.8	64.7	74.1	79.1	86.5	93.7	102.0	110.2	124.0	
...	11.3	15.5	19.7	23.0	25.2	29.4	33.5	36.3	39.1	43.2	50.1	54.2	57.0	63.9	73.3	78.2	85.7	92.8	101.1	109.4	123.2	
...	17.0	21.3	24.1	26.9	31.1	38.0	42.2	45.0	51.9	61.3	66.3	73.7	80.9	89.2	97.5	111.2
...	10.4	14.7	18.8	22.2	24.4	28.6	32.7	35.5	38.2	42.4	49.3	53.4	56.2	63.1	72.4	77.4	84.8	92.0	100.3	108.6	122.3	
...	15.5	17.8	22.0	26.2	29.0	31.7	35.9	42.8	47.0	49.7	56.7	66.0	71.0	78.5	85.6	93.9	102.2	116.0	
...	...	13.8	18.0	21.3	23.5	27.7	31.9	34.6	37.4	41.5	48.4	52.6	55.3	62.2	71.6	76.6	84.0	91.2	99.5	107.7	121.5	
...	...	12.9	17.1	20.5	22.7	26.9	31.0	33.8	36.5	40.7	47.6	51.7	54.5	61.4	70.8	75.7	83.2	90.4	98.6	106.9	120.7	
...	...	12.0	16.3	19.6	21.8	26.0	30.2	32.9	35.7	39.8	46.8	50.9	53.7	60.6	69.9	74.9	82.4	89.5	97.8	106.1	119.8	
...	11.5	15.7	19.8	23.2	25.4	29.5	33.7	36.4	39.2	43.3	50.2	54.4	57.1	64.0	73.4	78.4	85.8	93.0	101.3	109.5	123.3	
...	11.6	15.8	20.0	23.3	25.5	29.7	33.8	36.6	39.3	43.5	50.4	54.5	57.3	64.2	73.6	78.5	86.0	93.1	101.4	109.7	123.5	
...	10.7	14.9	19.1	22.4	24.7	28.8	33.0	35.7	38.5	42.6	49.5	53.7	56.4	63.3	72.7	77.7	85.1	92.3	100.6	108.8	122.6	
...	9.8	14.0	18.2	21.6	23.8	28.0	32.1	34.9	37.6	41.8	48.7	52.8	55.6	62.5	71.9	76.8	84.3	91.5	99.7	108.0	121.8	
...	...	13.2	17.4	20.7	22.9	27.1	31.3	34.0	36.8	41.0	47.9	52.0	54.8	61.7	71.0	76.0	83.5	90.6	98.9	107.2	121.0	
...	...	12.3	16.5	19.9	22.1	26.3	30.4	33.2	36.0	40.1	47.0	51.2	53.9	60.8	70.2	75.2	82.6	89.8	98.1	106.3	120.1	
...	14.7	18.1	20.4	24.5	28.7	31.5	34.3	38.4	45.3	49.5	52.2	59.1	68.5	73.5	80.9	88.1	96.4	104.7	118.5	
...	17.5	21.7	24.6	27.4	31.6	38.5	42.7	45.5	52.4	61.8	66.8	74.2	81.4	89.7	98.0	111.8
...	20.2	24.5	31.6	35.8	38.6	45.6	55.0	60.0	67.5	74.7	83.0	91.3	105.1
...	16.0	18.3	22.5	26.7	29.5	32.3	36.4	43.3	47.5	50.3	57.2	66.6	71.5	79.0	86.2	94.4	102.7	116.5	
...	10.8	15.0	19.2	22.6	24.8	28.9	33.1	35.9	38.6	42.8	49.7	53.8	56.6	63.5	72.8	77.8	85.3	92.4	100.7	109.0	122.7	
.8	.9	.95	1.0	1.05	1.1	.9																

* These belts are not available in RPP construction.

PULLEYS

HTS® 14 mm Drive Selection Tables



DN RPM	Drive Ratio	Sprocket Combination				HP Ratings @ 1750 RPM Driver									
		Driver		Driven		RPP™ Belt Widths					RPP™ PLUS Belt Widths				
		No. Teeth	P.D.	No. Teeth	P.D.	40	55	85	115	170	40	55	85	115	170
Multiply hp rating by belt length factor to determine drive width—BELT LENGTH FACTOR →															
833	2.10	80	14.036	168	29.475	56.6	82.8	135.0	187.0	283	117.0	173.0	285.0	397	602
831	2.11	38	6.667	80	14.036	39.8	58.1	94.8	132.0	...	54.8	80.4	131.0	182	...
826	2.12	34	5.965	72	12.632	33.0	48.2	78.7	109.0	...	48.4	71.0	116.0	161	...
826	2.12	68	11.930	144	25.264	55.8	81.5	133.0	184.0	279	101.0	149.0	244.0	340	515
824	2.13	32	5.614	68	11.930	29.3	42.9	69.9	97.0	...	45.2	66.3	108.0	150	...
820	2.13	30	5.263	64	11.229	25.8	37.8	61.6	85.5	...	42.1	61.6	101.0	140	...
817	2.14	28	4.912	60	10.527	22.6	33.0	53.9	74.7	...	38.9	56.9	93.0	129	...
813	2.15	52	9.123	112	19.650	49.4	72.2	118.0	163.0	247	77.1	113.0	185.0	257	389
793	2.21	29	5.088	64	11.229	24.2	35.4	57.7	80.0	...	40.5	59.2	96.8	134	...
788	2.22	36	6.316	80	14.036	36.9	53.9	88.0	122.0	...	51.6	75.7	124.0	172	...
778	2.25	32	5.614	72	12.632	29.3	42.9	69.9	97.0	...	45.2	66.3	108.0	150	...
778	2.25	40	7.018	90	15.790	41.3	60.4	98.6	137.0	207	58.1	85.1	139.0	193	292
778	2.25	64	11.229	144	25.264	54.7	80.0	130.0	181.0	273	95.3	140.0	230.0	320	484
772	2.27	30	5.263	68	11.930	25.8	37.8	61.6	85.5	...	42.1	61.6	101.0	140	...
766	2.29	28	4.912	64	11.229	22.6	33.0	53.9	74.7	...	38.9	56.9	93.0	129	...
750	2.33	48	8.412	112	19.650	47.0	68.7	112.0	156.0	235	70.8	104.0	170.0	236	357
750	2.33	72	12.632	168	29.475	56.4	82.5	135.0	187.0	282	107.0	157.0	258.0	359	544
746	2.34	29	5.088	68	11.930	24.2	35.4	57.7	80.0	...	40.5	59.2	96.8	134	...
744	2.35	34	5.965	80	14.036	33.0	48.2	78.7	109.0	...	48.4	71.0	116.0	161	...
739	2.37	38	6.667	90	15.790	39.8	58.1	94.8	132.0	...	54.8	80.4	131.0	182	...
729	2.40	30	5.263	72	12.632	25.8	37.8	61.6	85.5	...	42.1	61.6	101.0	140	...
729	2.40	60	10.527	144	25.264	53.3	77.9	127.0	176.0	266	89.3	131.0	215.0	299	453
729	2.40	80	14.036	192	33.686	56.6	82.8	135.0	187.0	283	117.0	173.0	285.0	397	602
721	2.43	28	4.912	68	11.930	22.6	33.0	53.9	74.7	...	38.9	56.9	93.0	129	...
708	2.47	68	11.930	168	29.475	55.8	81.5	133.0	184.0	279	101.0	149.0	244.0	340	515
705	2.48	29	5.088	72	12.632	24.2	35.4	57.7	80.0	...	40.5	59.2	96.8	134	...
700	2.50	32	5.614	80	14.036	29.3	42.9	69.9	97.0	...	45.2	66.3	108.0	150	...
700	2.50	36	6.316	90	15.790	36.9	53.9	88.0	122.0	...	51.6	75.7	124.0	172	...
688	2.55	44	7.720	112	19.650	44.3	64.8	106.0	147.0	222	64.4	94.5	155.0	215	325
681	2.57	28	4.912	72	12.632	22.6	33.0	53.9	74.7	...	38.9	56.9	93.0	129	...
681	2.57	56	9.825	144	25.264	51.5	75.3	123.0	170.0	258	83.3	122.0	200.0	278	421
667	2.63	64	11.229	168	29.475	54.7	80.0	130.0	181.0	273	95.3	140.0	230.0	320	484
661	2.65	34	5.965	90	15.790	33.0	48.2	78.7	109.0	...	48.4	71.0	116.0	161	...
656	2.67	30	5.263	80	14.036	25.8	37.8	61.6	85.5	...	42.1	61.6	101.0	140	...
656	2.67	72	12.632	192	33.686	56.4	82.5	135.0	187.0	282	107.0	157.0	258.0	359	544
648	2.70	80	14.036	216	37.896	56.6	82.8	135.0	187.0	283	117.0	173.0	285.0	397	602
634	2.76	29	5.088	80	14.036	24.2	35.4	57.7	80.0	...	40.5	59.2	96.8	134	...
632	2.77	52	9.123	144	25.264	49.4	72.2	118.0	163.0	247	77.1	113.0	185.0	257	389
625	2.80	40	7.018	112	19.650	41.3	60.4	98.6	137.0	207	58.1	85.1	139.0	193	292
625	2.80	60	10.527	168	29.475	53.3	77.9	127.0	176.0	266	89.3	131.0	215.0	299	453
622	2.81	32	5.614	90	15.790	29.3	42.9	69.9	97.0	...	45.2	66.3	108.0	150	...
620	2.82	68	11.930	192	33.686	55.8	81.5	133.0	187.0	279	101.0	149.0	244.0	340	515
613	2.86	28	4.912	80	14.036	22.6	33.0	53.9	74.7	...	38.9	56.9	93.0	129	...
594	2.95	38	6.667	112	19.650	39.8	58.1	94.8	132.0	...	54.8	80.4	131.0	182	...
583	3.00	30	5.263	90	15.790	25.8	37.8	61.6	85.5	...	42.1	61.6	101.0	140	...
583	3.00	48	8.421	144	25.264	47.0	68.7	112.0	156.0	235	70.8	104.0	170.0	236	357
583	3.00	56	9.825	168	29.475	51.5	75.3	123.0	170.0	258	83.3	122.0	200.0	278	421
583	3.00	64	11.229	192	33.686	54.7	80.0	130.0	181.0	273	95.3	140.0	230.0	320	484
583	3.00	72	12.632	216	37.896	56.4	82.5	135.0	187.0	282	107.0	157.0	258.0	359	544
564	3.10	29	5.088	90	15.790	24.2	35.4	57.7	80.0	...	40.5	59.2	96.8	134	...
Multiply hp rating by belt length factor to determine drive width—BELT LENGTH FACTOR →															



HTS® 14 mm Drive Selection Tables

NOMINAL CENTER DISTANCES																					
BELT LENGTH CODE DESIGNATION																					
966	1190	1400	1610	1778	1890	2100	2310	2450	2590	2800	3150	3360	3500	3850	4326	4578	4956	5320*	5740*	6160*	6860*
.8	.9	.95	1.0	1.05	1.1	.9															
...	26.7	31.0	33.8	40.9	50.4	55.4	62.9	70.1	78.4	86.7	100.6
...	15.0	18.4	20.6	24.8	29.0	31.7	34.5	38.7	45.6	49.7	52.5	59.4	68.8	73.8	81.2	88.4	96.7	104.9	118.7
...	...	12.5	16.7	20.1	22.3	26.5	30.7	33.4	36.2	40.4	47.3	51.4	54.2	61.1	70.5	75.4	82.9	90.1	98.3	106.6	120.4
...	20.7	25.0	32.1	36.3	39.1	46.1	55.5	60.5	68.0	75.2	83.5	91.8	105.6
...	...	13.4	17.6	21.0	23.2	27.4	31.5	34.3	37.1	41.2	48.1	52.3	55.0	61.9	71.3	76.3	83.7	90.9	99.2	107.4	121.2
...	...	14.3	18.5	21.8	24.1	28.2	32.4	35.1	37.9	42.1	49.0	53.1	55.9	62.8	72.1	77.1	84.6	91.7	100.0	108.3	122.1
...	...	15.2	19.4	22.7	24.9	29.1	33.2	36.0	38.8	42.9	49.8	53.9	56.7	63.6	73.0	77.9	85.4	92.6	100.8	109.1	122.9
...	17.9	22.2	25.1	27.9	32.1	39.0	43.2	46.0	52.9	62.3	67.3	74.8	82.0	90.2	98.5	112.3
...	...	14.4	18.6	22.0	24.2	28.4	32.5	35.3	38.0	42.2	49.1	53.2	56.0	62.9	72.3	77.2	84.7	91.9	100.1	108.4	122.2
...	15.2	18.6	20.8	25.0	29.2	32.0	34.8	38.9	45.9	50.0	52.8	59.7	69.1	74.0	81.5	88.7	96.9	105.2	119.0
...	...	12.7	17.0	20.4	22.6	26.8	30.9	33.7	36.5	40.6	47.5	51.7	54.5	61.4	70.7	75.7	83.2	90.3	98.6	106.9	120.7
...	13.0	16.5	18.8	23.0	27.2	30.0	32.8	36.9	43.9	48.0	50.8	57.7	67.1	72.1	79.5	86.7	95.0	103.3	117.0
...	21.1	25.5	32.6	36.8	39.6	46.6	56.0	61.0	68.5	75.7	84.0	92.3	106.1
...	...	13.6	17.9	21.2	23.5	27.6	31.8	34.6	37.3	41.5	48.4	52.5	55.3	62.2	71.6	76.5	84.0	91.2	99.4	107.7	121.5
...	...	14.5	18.7	22.1	24.3	28.5	32.6	35.4	38.2	42.3	49.2	53.4	56.1	63.0	72.4	77.4	84.8	92.0	100.3	108.5	122.3
...	18.4	22.7	25.5	28.4	32.6	39.5	43.7	46.5	53.4	62.8	67.8	75.3	82.5	90.8	99.1	112.9
...	27.6	31.9	34.8	41.8	51.4	56.4	63.9	71.1	79.5	87.8	101.6
...	...	13.8	18.0	21.3	23.6	27.8	31.9	34.7	37.5	41.6	48.5	52.7	55.4	62.3	71.7	76.7	84.1	91.3	99.6	107.8	121.6
...	15.4	18.8	21.1	25.3	29.5	32.3	35.0	39.2	46.1	50.3	53.0	59.9	69.3	74.3	81.7	88.9	97.2	105.5	119.3
...	13.3	16.7	19.0	23.2	27.4	30.2	33.0	37.2	44.1	48.3	51.0	58.0	67.4	72.3	79.8	87.0	95.2	103.5	117.3
...	...	13.0	17.2	20.6	22.8	27.0	31.2	34.0	36.7	40.9	47.8	52.0	54.7	61.6	71.0	76.0	83.4	90.6	98.9	107.1	120.9
...	21.6	25.9	33.0	37.3	40.1	47.1	56.5	61.5	69.0	76.2	84.5	92.8	106.7
...	26.8	29.8	37.0	46.6	51.7	59.2	66.5	74.8	83.2	97.0
...	...	13.9	18.1	21.5	23.7	27.9	32.0	34.8	37.6	41.7	48.6	52.8	55.6	62.5	71.8	76.8	84.3	91.4	99.7	108.0	121.8
...	28.1	32.4	35.2	42.3	51.9	56.9	64.4	71.6	80.0	88.3	102.1
...	...	13.1	17.3	20.7	23.0	27.1	31.3	34.1	36.9	41.0	47.9	52.1	54.8	61.8	71.1	76.1	83.6	90.7	99.0	107.3	121.1
...	...	11.3	15.7	19.1	21.3	25.5	29.7	32.5	35.3	39.4	46.4	50.5	53.3	60.2	69.6	74.6	82.0	89.2	97.5	105.7	119.5
...	13.5	17.0	19.2	23.5	27.7	30.5	33.3	37.4	44.4	48.5	51.3	58.2	67.6	72.6	80.1	87.2	95.5	103.8	117.6
...	18.9	23.2	26.0	28.8	33.1	40.0	44.2	47.0	53.9	63.4	68.4	75.8	83.0	91.3	99.6	113.4
...	...	13.2	17.5	20.8	23.1	27.3	31.4	34.2	37.0	41.1	48.1	52.2	55.0	61.9	71.3	76.2	83.7	90.9	99.1	107.4	121.2
...	19.1	22.1	26.4	33.5	37.8	40.6	47.6	57.0	62.1	69.6	76.8	85.1	93.4	107.2
...	28.5	32.9	35.7	42.8	52.4	57.4	64.9	72.1	80.5	88.8	102.6
...	13.7	17.2	19.5	23.7	27.9	30.7	33.5	37.7	44.6	48.8	51.6	58.5	67.9	72.9	80.3	87.5	95.8	104.1	117.8
...	...	11.6	15.9	19.3	21.6	25.8	30.0	32.8	35.5	39.7	46.6	50.8	53.6	60.5	69.9	74.8	82.3	89.5	97.7	106.0	119.8
...	27.8	30.7	37.9	47.6	52.6	60.2	67.5	75.8	84.2	98.1
...	32.8	42.6	47.8	55.4	62.7	71.2	79.5	93.4
...	...	11.7	16.0	19.4	21.7	25.9	30.1	32.9	35.7	39.8	46.8	50.9	53.7	60.6	70.0	75.0	82.4	89.6	97.9	106.1	119.9
...	19.6	22.5	26.9	34.0	38.2	41.1	48.1	57.6	62.6	70.1	77.3	85.6	93.9	107.7
...	14.9	19.3	23.7	26.5	29.3	33.5	40.5	44.7	47.5	54.5	63.9	68.9	76.3	83.5	91.8	100.1	113.9
...	21.7	29.0	33.3	36.2	43.3	52.8	57.9	65.4	72.7	81.0	89.3	103.2
...	13.9	17.4	19.7	24.0	28.2	31.0	33.8	37.9	44.9	49.1	51.8	58.7	68.1	73.1	80.6	87.8	96.0	104.3	118.1
...	28.2	31.1	38.4	48.0	53.1	60.7	68.0	76.3	84.7	98.6
...	...	11.8	16.1	19.6	21.8	26.0	30.2	33.0	35.8	40.0	46.9	51.0	53.8	60.7	70.1	75.1	82.5	89.7	98.0	106.3	120.1
...	15.2	19.6	23.9	26.7	29.6	33.8	40.8	45.0	47.8	54.7	64.1	69.1	76.6	83.8	92.1	100.4	114.2
...	14.2	17.7	19.9	24.2	28.4	31.2	34.0	38.2	45.1	49.3	52.1	59.0	68.4	73.4	80.8	88.0	96.3	104.6	118.4
...	20.0	23.0	27.3	34.5	38.7	41.5	48.6	58.1	63.1	70.6	77.8	86.1	94.4	108.2
...	22.1	29.5	33.8	36.7	43.8	53.3	58.4	65.9	73.2	81.5	89.8	103.7
...	24.2	28.7	31.6	38.8	48.5	53.6	61.2	68.5	76.9	85.2	99.1
...	33.7	43.6	48.7	56.4	63.7	72.1	80.5	94.5
...	14.3	17.8	20.1	24.3	28.5	31.3	34.1	38.3	45.3	49.4	52.2	59.1	68.5	73.5	81.0	88.2	96.4	104.7	118.5
.8	.9	.95	1.0	1.05	1.1	.9															

* These belts are not available in RPP construction.

HTS® 14 mm Drive Selection Tables



DN RPM	Drive Ratio	Sprocket Combination				HP Ratings @ 1750 RPM Driver									
		Driver		Driven		RPP™ Belt Widths					RPP™ PLUS Belt Widths				
		No. Teeth	P.D.	No. Teeth	P.D.	40	55	85	115	170	40	55	85	115	170
Multiply hp rating by belt length factor to determine drive width—BELT LENGTH FACTOR →															
551	3.18	68	11.930	216	37.896	55.8	81.5	133.0	184.0	279	101	149.0	244.0	340	515
547	3.20	60	10.527	192	33.686	53.3	77.9	127.0	176.0	266	89.3	131.0	215.0	299	453
544	3.21	28	4.912	90	15.790	22.6	33.0	53.9	74.7	...	38.9	56.9	93.0	129	...
542	3.23	52	9.123	168	29.475	49.4	72.2	118.0	163.0	247	77.1	113.0	185.0	257	389
535	3.27	44	7.720	144	25.264	44.3	64.8	106.0	147.0	222	64.4	94.5	155.0	215	325
531	3.29	34	5.965	112	19.650	33.0	48.2	78.7	109.0	...	48.4	71.0	116.0	161	...
519	3.38	64	11.229	216	37.896	54.7	80.0	130.0	181.0	273	95.3	140.0	230.0	320	484
510	3.43	56	9.825	192	33.686	51.5	75.3	123.0	170.0	258	83.3	122.0	200.0	278	421
500	3.50	32	5.614	112	19.650	29.3	42.9	69.9	97.0	...	45.2	66.3	108.0	150	...
500	3.50	48	8.421	168	29.475	47.0	68.7	112.0	156.0	235	70.8	104.0	170.0	236	357
486	3.60	40	7.018	144	25.264	41.3	60.4	98.6	137.0	207	58.1	85.1	139.0	193	292
486	3.60	60	10.527	216	37.896	53.3	77.9	127.0	176.0	266	89.3	131.0	215.0	299	453
474	3.69	52	9.123	192	33.686	49.4	72.2	118.0	163.0	247	77.1	113.0	185.0	257	389
469	3.73	30	5.263	112	19.650	25.8	37.8	61.6	85.5	...	42.1	61.6	101.0	140	...
462	3.79	38	6.667	144	25.264	39.8	58.1	94.8	132.0	...	54.8	80.4	131.0	182	...
458	3.82	44	7.720	168	29.475	44.3	64.8	106.0	147.0	222	64.4	94.5	155.0	215	325
454	3.86	56	9.825	216	37.896	51.5	75.3	123.0	170.0	258	83.3	122.0	200.0	278	421
453	3.86	29	5.088	112	19.650	24.2	35.4	57.7	80.0	...	40.5	59.2	96.8	134	...
438	4.00	28	4.912	112	19.650	22.6	33.0	53.9	74.7	...	38.9	56.9	93.0	129	...
438	4.00	36	6.316	144	25.264	36.9	53.9	88.0	122.0	...	51.6	75.7	124.0	172	...
438	4.00	48	8.421	192	33.686	47.0	68.7	112.0	156.0	235	70.8	104.0	170.0	236	357
421	4.15	52	9.123	216	37.896	49.4	72.2	118.0	163.0	247	77.1	113.0	185.0	257	389
417	4.20	40	7.018	168	29.475	41.3	60.4	98.6	137.0	207	58.1	85.1	139.0	193	292
413	4.24	34	5.965	144	25.264	33.0	48.2	78.7	109.0	...	48.4	71.0	116.0	161	...
401	4.36	44	7.720	192	33.686	44.3	64.8	106.0	147.0	222	64.4	94.5	155.0	215	325
396	4.42	38	6.667	168	29.475	39.8	58.1	94.8	132.0	...	54.8	80.4	131.0	182	...
389	4.50	32	5.614	144	25.264	29.3	42.9	69.9	97.0	...	45.2	66.3	108.0	150	...
389	4.50	48	8.421	216	37.896	47.0	68.7	112.0	156.0	235	70.8	104.0	170.0	236	357
375	4.67	36	6.316	168	29.475	36.9	53.9	88.0	122.0	...	51.6	75.7	124.0	172	...
365	4.80	30	5.263	144	25.264	25.8	37.8	61.6	85.5	...	42.1	61.6	101.0	140	...
365	4.80	40	7.018	192	33.686	41.3	60.4	98.6	137.0	207	58.1	85.1	139.0	193	292
356	4.91	44	7.720	216	37.896	44.3	64.8	106.0	147.0	222	64.4	94.5	155.0	215	325
354	4.94	34	5.965	168	29.475	33.0	48.2	78.7	109.0	...	48.4	71.0	116.0	161	...
352	4.97	29	5.088	144	25.264	24.2	35.4	57.7	80.0	...	40.5	59.2	96.8	134	...
346	5.05	38	6.667	192	33.686	39.8	58.1	94.8	132.0	...	54.8	80.4	131.0	182	...
340	5.14	28	4.912	144	25.264	22.6	33.0	53.9	74.7	...	38.9	56.9	93.0	129	...
333	5.25	32	5.614	168	29.475	29.3	42.9	69.9	97.0	...	45.2	66.3	108.0	150	...
328	5.33	36	6.316	192	33.686	36.9	53.9	88.0	122.0	...	51.6	75.7	124.0	172	...
324	5.40	40	7.018	216	37.896	41.3	60.4	98.6	137.0	207	58.1	85.1	139.0	193	292
313	5.60	30	5.263	168	29.475	25.8	37.8	61.6	85.5	...	42.1	61.6	101.0	140	...
310	5.65	34	5.965	192	33.686	33.0	48.2	78.7	109.0	...	48.4	71.0	116.0	161	...
308	5.68	38	6.667	216	37.896	39.8	58.1	94.8	132.0	...	54.8	80.4	131.0	182	...
302	5.79	29	5.088	168	29.475	24.2	35.4	57.7	80.0	...	40.5	59.2	96.8	134	...
292	6.00	28	4.912	168	29.475	22.6	33.0	53.9	74.7	...	38.9	56.9	93.0	129	...
292	6.00	32	5.614	192	33.686	29.3	42.9	69.9	97.0	...	45.2	66.3	108.0	150	...
292	6.00	36	6.316	216	37.896	36.9	53.9	88.0	122.0	...	51.6	75.7	124.0	172	...
275	6.35	34	5.965	216	37.896	33.0	48.2	78.7	109.0	...	48.4	71.0	116.0	161	...
273	6.40	30	5.263	192	33.686	25.8	37.8	61.6	85.5	...	42.1	61.6	101.0	140	...
264	6.62	29	5.088	192	33.686	24.2	35.4	57.7	80.0	...	40.5	59.2	96.8	134	...
259	6.75	32	5.614	216	37.896	29.3	42.9	69.9	97.0	...	45.2	66.3	108.0	150	...
255	6.86	28	4.912	192	33.686	22.6	33.0	53.9	74.7	...	38.9	56.9	93.0	129	...
243	7.20	30	5.263	216	37.896	25.8	37.8	61.6	85.5	...	42.1	61.6	101.0	140	...
235	7.45	29	5.088	216	37.896	24.2	35.4	57.7	80.0	...	40.5	59.2	96.8	134	...
227	7.71	28	4.912	216	37.896	22.6	33.0	53.9	74.7	...	38.9	56.9	93.0	129	...
Multiply hp rating by belt length factor to determine drive width—BELT LENGTH FACTOR →															

HTS® 14 mm Drive Selection Tables



DN RPM	Drive Ratio	Sprocket Combination				HP Ratings @ 1160 RPM Driver									
		Driver		Driven		RPP™ Belt Widths					RPP™ PLUS Belt Widths				
		No. Teeth	P.D.	No. Teeth	P.D.	40	55	85	115	170	40	55	85	115	170
Multiply hp rating by belt length factor to determine drive width—BELT LENGTH FACTOR →															
1160	1.00	28	4.912	28	4.912	18.2	26.7	43.5	60.3	...	28.9	42.3	69.1	95.8	...
1160	1.00	29	5.088	29	5.088	19.6	28.6	46.6	64.7	...	30.1	44.1	72.0	99.8	...
1160	1.00	30	5.263	30	5.263	20.9	30.6	49.9	69.2	...	31.4	45.9	74.9	104.0	...
1160	1.00	32	5.614	32	5.614	23.8	34.8	56.7	78.6	...	33.8	49.4	80.7	112.0	...
1160	1.00	34	5.965	34	5.965	26.8	39.2	63.9	88.7	...	36.3	53.0	86.6	120.0	...
1160	1.00	36	6.316	36	6.316	30.0	43.9	71.6	99.3	...	38.7	56.7	92.5	128.0	...
1160	1.00	38	6.667	38	6.667	32.6	47.6	77.6	108.0	...	41.2	60.3	98.5	137.0	...
1160	1.00	40	7.018	40	7.018	34.1	49.9	81.4	113.0	171	43.7	64.0	105.0	145.0	219
1160	1.00	44	7.720	44	7.720	37.2	54.4	88.8	123.0	186	48.8	71.4	117.0	162.0	245
1160	1.00	48	8.421	48	8.421	40.2	58.8	96.0	133.0	201	53.9	78.9	129.0	179.0	270
1160	1.00	52	9.123	52	9.123	43.2	63.1	103.0	143.0	216	59.0	86.4	141.0	196.0	296
1160	1.00	56	9.825	56	9.825	46.0	67.3	110.0	152.0	230	64.2	94.0	154.0	213.0	322
1160	1.00	60	10.527	60	10.527	48.8	71.3	116.0	161.0	244	69.3	102.0	166.0	230.0	348
1160	1.00	64	11.229	64	11.229	51.4	75.2	123.0	170.0	257	74.5	109.0	178.0	248.0	375
1160	1.00	68	11.930	68	11.930	54.0	78.9	129.0	179.0	270	79.6	117.0	191.0	265.0	401
1160	1.00	72	12.632	72	12.632	56.4	82.5	135.0	187.0	282	84.8	124.0	203.0	282.0	427
1160	1.00	80	14.036	80	14.036	61.0	89.2	145.0	202.0	305	95.0	139.0	228.0	317.0	479
1121	1.03	29	5.088	30	5.263	19.6	28.6	46.6	64.7	...	30.1	44.1	72.0	99.8	...
1120	1.04	28	4.912	29	5.088	18.2	26.7	43.5	60.3	...	28.9	42.3	69.1	95.8	...
1102	1.05	38	6.67	40	7.018	32.6	47.6	77.6	108.0	...	41.2	60.3	98.5	137.0	...
1099	1.06	36	6.316	38	6.667	30.0	43.9	71.6	99.3	...	38.7	56.7	92.5	128.0	...
1096	1.06	34	5.965	36	6.316	26.8	39.2	63.9	88.7	...	36.3	53.0	86.6	120.0	...
1096	1.06	68	11.930	72	12.632	54.0	78.9	129.0	179.0	270	79.6	117.0	191.0	265.0	401
1092	1.06	32	5.614	34	5.965	23.8	34.8	56.7	78.6	...	33.8	49.4	80.7	112.0	...
1092	1.06	64	11.229	68	11.930	51.4	75.2	123.0	170.0	257	74.5	109.0	178.0	248.0	375
1088	1.07	30	5.263	32	5.614	20.9	30.6	49.9	69.2	...	31.4	45.9	74.9	104.0	...
1088	1.07	60	10.527	64	11.229	48.8	71.3	116.0	161.0	244	69.3	102.0	166.0	230.0	348
1083	1.07	28	4.912	30	5.263	18.2	26.7	43.5	60.3	...	28.9	42.3	69.1	95.8	...
1083	1.07	56	9.825	60	10.527	46.0	67.3	110.0	152.0	230	64.2	94.0	154.0	213.0	322
1077	1.08	52	9.123	56	9.825	43.2	63.1	103.0	143.0	216	59.0	86.4	141.0	196.0	296
1071	1.08	48	8.421	52	9.123	40.2	58.8	96.0	133.0	201	53.9	78.9	129.0	179.0	270
1063	1.09	44	7.720	48	8.421	37.2	54.4	88.8	123.0	186	48.8	71.4	117.0	162.0	245
1055	1.10	40	7.018	44	7.720	34.1	49.9	81.4	113.0	171	43.7	64.0	105.0	145.0	219
1051	1.10	29	5.088	32	5.614	19.6	28.6	46.6	64.7	...	30.1	44.1	72.0	99.8	...
1044	1.11	36	6.316	40	7.018	30.0	43.9	71.6	99.3	...	38.7	56.7	92.5	128.0	...
1044	1.11	72	12.632	80	14.036	56.4	82.5	135.0	187.0	282	84.8	124.0	203.0	282.0	427
1038	1.12	34	5.965	38	6.667	26.8	39.2	63.9	88.7	...	36.3	53.0	86.6	120.0	...
1031	1.13	32	5.614	36	6.316	23.8	34.8	56.7	78.6	...	33.8	49.4	80.7	112.0	...
1031	1.13	64	11.229	72	12.632	51.4	75.2	123.0	170.0	257	74.5	109.0	178.0	248.0	375
1031	1.13	80	14.036	90	15.790	61.0	89.2	145.0	202.0	305	95.0	139.0	228.0	317.0	479
1024	1.13	30	5.263	34	5.965	20.9	30.6	49.9	69.2	...	31.4	45.9	74.9	104.0	...
1024	1.13	60	10.527	68	11.930	48.8	71.3	116.0	161.0	244	69.3	102.0	166.0	230.0	348
1015	1.14	28	4.912	32	5.614	18.2	26.7	43.5	60.3	...	28.9	42.3	69.1	95.8	...
1015	1.14	56	9.825	64	11.229	46.0	67.3	110.0	152.0	230	64.2	94.0	154.0	213.0	322
1005	1.15	52	9.123	60	10.527	43.2	63.1	103.0	143.0	216	59.0	86.4	141.0	196.0	296
1002	1.16	38	6.667	44	7.720	32.6	47.6	77.6	108.0	...	41.2	60.3	98.5	137.0	...
994	1.17	48	8.421	56	9.825	40.2	58.8	96.0	133.0	201	53.9	78.9	129.0	179.0	270
989	1.17	29	5.088	34	5.965	19.6	28.6	46.6	64.7	...	30.1	44.1	72.0	99.8	...
986	1.18	34	5.965	40	7.018	26.8	39.2	63.9	88.7	...	36.3	53.0	86.6	120.0	...
986	1.18	68	11.930	80	14.036	54.0	78.9	129.0	179.0	270	79.6	117.0	191.0	265.0	401
Multiply hp rating by belt length factor to determine drive width—BELT LENGTH FACTOR →															



HTS® 14 mm Drive Selection Tables

NOMINAL CENTER DISTANCES																					
BELT LENGTH CODE DESIGNATION																					
966	1190	1400	1610	1778	1890	2100	2310	2450	2590	2800	3150	3360	3500	3850	4326	4578	4956	5320*	5740*	6160*	6860*
.8		.9		.95		1.0			1.05			1.1					.9				
11.3	15.7	19.8	24.0	27.3	29.5	33.6	37.8	40.5	43.3	47.4	54.3	58.4	61.2	68.1	77.4	82.4	89.8	97.0	105.3	113.5	127.3
11.0	15.4	19.6	23.7	27.0	29.2	33.4	37.5	40.2	43.0	47.1	54.0	58.2	60.9	67.8	77.2	82.1	89.6	96.7	105.0	113.3	127.1
10.8	15.2	19.3	23.4	26.7	28.9	33.1	37.2	40.0	42.7	46.9	53.7	57.9	60.6	67.5	76.9	81.9	89.3	96.5	104.7	113.0	126.8
10.2	14.6	18.7	22.9	26.2	28.4	32.5	36.7	39.4	42.2	46.3	53.2	57.3	60.1	67.0	76.3	81.3	88.7	95.9	104.2	112.4	126.2
9.7	14.1	18.2	22.3	25.6	27.8	32.0	36.1	38.9	41.6	45.8	52.6	56.8	59.5	66.4	75.8	80.8	88.2	95.4	103.6	111.9	125.7
9.1	13.5	17.6	21.8	25.1	27.3	31.4	35.6	38.3	41.1	45.2	52.1	56.2	59.0	65.9	75.2	80.2	87.6	94.8	103.1	111.3	125.1
8.5	13.0	17.1	21.2	24.5	26.7	30.9	35.0	37.8	40.5	44.7	51.5	55.7	58.4	65.3	74.7	79.7	87.1	94.3	102.5	110.8	124.6
...	12.4	16.5	20.7	24.0	26.2	30.3	34.5	37.2	40.0	44.1	51.0	55.1	57.9	64.8	74.1	79.1	86.5	93.7	102.0	110.2	124.0
...	11.3	15.4	19.6	22.9	25.1	29.2	33.4	36.1	38.9	43.0	49.9	54.0	56.8	63.7	73.0	78.0	85.4	92.6	100.9	109.1	122.9
...	10.2	14.3	18.5	21.8	24.0	28.1	32.3	35.0	37.8	41.9	48.8	52.9	55.7	62.6	71.9	76.9	84.3	91.5	99.8	108.0	121.8
...	...	13.2	17.4	20.7	22.9	27.0	31.1	33.9	36.7	40.8	47.7	51.8	54.6	61.5	70.8	75.8	83.2	90.4	98.7	106.9	120.7
...	...	12.1	16.3	19.6	21.8	25.9	30.0	32.8	35.6	39.7	46.6	50.7	53.5	60.4	69.7	74.7	82.1	89.3	97.6	105.8	119.6
...	15.2	18.5	20.7	24.8	28.9	31.7	34.5	38.6	45.5	49.6	52.4	59.3	68.6	73.6	81.0	88.2	96.5	104.7	118.5
...	14.1	17.4	19.6	23.7	27.8	30.6	33.4	37.5	44.4	48.5	51.3	58.2	67.5	72.5	79.9	87.1	95.4	103.6	117.4
...	16.3	18.5	22.6	26.7	29.5	32.3	36.4	43.3	47.4	50.2	57.1	66.4	71.4	78.8	86.0	94.3	102.5	116.3
...	15.2	17.4	21.5	25.6	28.4	31.2	35.3	42.2	46.3	49.1	56.0	65.3	70.3	77.7	84.9	93.2	101.4	115.2
...	15.2	19.3	23.4	26.2	28.9	33.1	40.0	44.1	46.9	53.8	63.1	68.1	75.5	82.7	91.0	99.2	113.0
10.9	15.3	19.4	23.6	26.9	29.1	33.2	37.3	40.1	42.9	47.0	53.9	58.0	60.8	67.7	77.0	82.0	89.4	96.6	104.9	113.1	126.9
11.2	15.6	19.7	23.8	27.1	29.4	33.5	37.6	40.4	43.1	47.3	54.2	58.3	61.0	67.9	77.3	82.3	89.7	96.9	105.1	113.4	127.2
8.3	12.7	16.8	20.9	24.3	26.5	30.6	34.7	37.5	40.2	44.4	51.3	55.4	58.2	65.0	74.4	79.4	86.8	94.0	102.2	110.5	124.3
8.8	13.2	17.4	21.5	24.8	27.0	31.1	35.3	38.0	40.8	44.9	51.8	55.9	58.7	65.6	75.0	79.9	87.4	94.5	102.8	111.1	124.8
9.4	13.8	17.9	22.1	25.4	27.6	31.7	35.8	38.6	41.3	45.5	52.4	56.5	59.3	66.1	75.5	80.5	87.9	95.1	103.4	111.6	125.4
...	15.7	17.9	22.1	26.2	28.9	31.7	35.8	42.7	46.9	49.6	56.5	65.9	70.8	78.3	85.4	93.7	102.0	115.8
9.9	14.3	18.5	22.6	25.9	28.1	32.2	36.4	39.1	41.9	46.0	52.9	57.1	59.8	66.7	76.1	81.0	88.5	95.6	103.9	112.2	125.9
...	13.5	16.8	19.0	23.2	27.3	30.0	32.8	36.9	43.8	48.0	50.7	57.6	67.0	71.9	79.4	86.5	94.8	103.1	116.9
10.5	14.9	19.0	23.2	26.5	28.7	32.8	36.9	39.7	42.4	46.6	53.5	57.6	60.4	67.2	76.6	81.6	89.0	96.2	104.5	112.7	126.5
...	14.6	17.9	20.1	24.3	28.4	31.1	33.9	38.0	44.9	49.1	51.8	58.7	68.1	73.0	80.5	87.6	95.9	104.2	118.0
11.0	15.4	19.6	23.7	27.0	29.2	33.3	37.5	40.2	43.0	47.1	54.0	58.2	60.9	67.8	77.2	82.1	89.6	96.7	105.0	113.3	127.1
...	...	11.6	15.7	19.0	21.2	25.4	29.5	32.3	35.0	39.1	46.0	50.2	52.9	59.8	69.2	74.1	81.6	88.7	97.0	105.3	119.1
...	...	12.7	16.8	20.1	22.3	26.5	30.6	33.4	36.1	40.2	47.1	51.3	54.0	60.9	70.3	75.2	82.7	89.8	98.1	106.4	120.2
...	...	13.8	17.9	21.2	23.4	27.6	31.7	34.5	37.2	41.3	48.2	52.4	55.1	62.0	71.4	76.3	83.8	91.0	99.2	107.5	121.3
...	10.7	14.9	19.0	22.3	24.5	28.7	32.8	35.6	38.3	42.4	49.3	53.5	56.2	63.1	72.5	77.4	84.9	92.1	100.3	108.6	122.4
...	11.9	16.0	20.1	23.4	25.6	29.8	33.9	36.7	39.4	43.5	50.4	54.6	57.3	64.2	73.6	78.5	86.0	93.2	101.4	109.7	123.5
10.6	15.0	19.2	23.3	26.6	28.8	32.9	37.1	39.8	42.6	46.7	53.6	57.7	60.5	67.4	76.8	81.7	89.2	96.3	104.6	112.9	126.6
8.5	13.0	17.1	21.2	24.5	26.7	30.9	35.0	37.8	40.5	44.6	51.5	55.7	58.4	65.3	74.7	79.7	87.1	94.3	102.5	110.8	124.6
...	16.3	20.4	24.5	27.3	30.0	34.2	41.1	45.2	48.0	54.8	64.2	69.2	76.6	83.8	92.1	100.3	114.1
9.1	13.5	17.6	21.8	25.1	27.3	31.4	35.6	38.3	41.1	45.2	52.1	56.2	59.0	65.9	75.2	80.2	87.6	94.8	103.1	111.3	125.1
9.6	14.1	18.2	22.3	25.6	27.8	32.0	36.1	38.9	41.6	45.8	52.6	56.8	59.5	66.4	75.8	80.8	88.2	95.4	103.6	111.9	125.7
...	16.3	18.5	22.6	26.7	29.5	32.2	36.4	43.3	47.4	50.2	57.1	66.4	71.4	78.8	86.0	94.3	102.5	116.3
...	17.9	22.0	24.8	27.6	31.7	38.6	42.7	45.5	52.4	61.7	66.7	74.1	81.3	89.6	97.8	111.6
10.2	14.6	18.7	22.9	26.2	28.4	32.5	36.7	39.4	42.2	46.3	53.2	57.3	60.1	67.0	76.3	81.3	88.7	95.9	104.2	112.4	126.2
...	14.0	17.4	19.6	23.7	27.8	30.6	33.3	37.5	44.4	48.5	51.3	58.2	67.5	72.5	79.9	87.1	95.4	103.6	117.4
10.7	15.2	19.3	23.4	26.7	28.9	33.1	37.2	40.0	42.7	46.9	53.7	57.9	60.6	67.5	76.9	81.9	89.3	96.5	104.7	113.0	126.8
...	15.1	18.5	20.7	24.8	28.9	31.7	34.4	38.6	45.5	49.6	52.4	59.3	68.6	73.6	81.0	88.2	96.5	104.7	118.5
...	...	12.1	16.3	19.6	21.8	25.9	30.0	32.8	35.6	39.7	46.6	50.7	53.5	60.4	69.7	74.7	82.1	89.3	97.6	105.8	119.6
...	12.1	16.3	20.4	23.7	25.9	30.0	34.2	36.9	39.7	43.8	50.7	54.8	57.6	64.5	73.9	78.8	86.3	93.4	101.7	110.0	123.7
...	...	13.2	17.4	20.7	22.9	27.0	31.1	33.9	36.7	40.8	47.7	51.8	54.6	61.5	70.8	75.8	83.2	90.4	98.7	106.9	120.7
10.3	14.7	18.9	23.0	26.3	28.5	32.7	36.8	39.5	42.3	46.4	53.3	57.5	60.2	67.1	76.5	81.4	88.9	96.0	104.3	112.6	126.4
8.8	13.2	17.4	21.5	24.8	27.0	31.1	35.3	38.0	40.8	44.9	51.8	55.9	58.7	65.6	75.0	79.9	87.4	94.5	102.8	111.1	124.8
...	14.6	16.8	20.9	25.1	27.8	30.6	34.7	41.6	45.7	48.5	55.4	64.8	69.7	77.2	84.3	92.6	100.9	114.7
.8		.9		.95		1.0			1.05			1.1					.9				

* These belts are not available in RPP construction.

PULLEYS

HTS® 14 mm Drive Selection Tables



DN RPM	Drive Ratio	Sprocket Combination				HP Ratings @ 1160 RPM Driver									
		Driver		Driven		RPP™ Belt Widths					RPP™ PLUS Belt Widths				
		No. Teeth	P.D.	No. Teeth	P.D.	40	55	85	115	170	40	55	85	115	170
Multiply hp rating by belt length factor to determine drive width—BELT LENGTH FACTOR →															
982	1.18	44	7.720	52	9.123	37.2	54.4	88.8	123.0	186	48.8	71.4	117.0	162.0	245
977	1.19	32	5.614	38	6.667	23.8	34.8	56.7	78.6	...	33.8	49.4	80.7	112.0	...
967	1.20	30	5.263	36	6.316	20.9	30.6	49.9	69.2	...	31.4	45.9	74.9	104.0	...
967	1.20	40	7.018	48	8.421	34.1	49.9	81.4	113.0	171	43.7	64.0	105.0	145.0	219
967	1.20	60	10.527	72	12.632	48.8	71.3	116.0	161.0	244	69.3	102.0	166.0	230.0	348
955	1.21	28	4.912	34	5.965	18.2	26.7	43.5	60.3	...	28.9	42.3	69.1	95.8	...
955	1.21	56	9.825	68	11.930	46.0	67.3	110.0	152.0	230	64.2	94.0	154.0	216.0	322
949	1.22	36	6.316	44	7.720	30.0	43.9	71.6	99.3	...	38.7	56.7	92.5	128.0	...
943	1.23	52	9.123	64	11.229	43.2	63.1	103.0	143.0	216	59.0	86.4	141.0	196.0	296
934	1.24	29	5.088	36	6.316	19.6	28.6	46.6	64.7	...	30.1	44.1	72.0	99.8	...
928	1.25	32	5.614	40	7.018	23.8	34.8	56.7	78.6	...	33.8	49.4	80.7	112.0	...
928	1.25	48	8.421	60	10.527	40.2	58.8	96.0	133.0	201	53.9	78.9	129.0	179.0	270
928	1.25	64	11.229	80	14.036	51.4	75.2	123.0	170.0	257	74.5	109.0	178.0	248.0	375
928	1.25	72	12.632	90	15.790	56.4	82.5	135.0	187.0	282	84.8	124.0	203.0	282.0	427
918	1.26	38	6.667	48	8.421	32.6	47.6	77.6	108.0	...	41.2	60.3	98.5	137.0	...
916	1.27	30	5.263	38	6.667	20.9	30.6	49.9	69.2	...	31.4	45.9	74.9	104.0	...
911	1.27	44	7.720	56	9.825	37.2	54.4	88.8	123.0	186	48.8	71.4	117.0	162.0	245
902	1.29	28	4.912	36	6.316	18.2	26.7	43.5	60.3	...	28.9	42.3	69.1	95.8	...
902	1.29	56	9.825	72	12.632	46.0	67.3	110.0	152.0	230	64.2	94.0	154.0	213.0	322
896	1.29	34	5.965	44	7.720	26.8	39.2	63.9	88.7	...	36.3	53.0	86.6	120.0	...
892	1.30	40	7.018	52	9.123	34.1	49.9	81.4	113.0	171	43.7	64.0	105.0	145.0	219
887	1.31	52	9.123	68	11.930	43.2	63.1	103.0	143.0	216	59.0	86.4	141.0	196.0	296
885	1.31	29	5.088	38	6.667	19.6	28.6	46.6	64.7	...	30.1	44.1	72.0	99.8	...
876	1.32	68	11.930	90	15.790	54.0	78.9	129.0	179.0	270	79.6	117.0	191.0	265.0	401
870	1.33	30	5.263	40	7.018	20.9	30.6	49.9	69.2	...	31.4	45.9	74.9	104.0	...
870	1.33	36	6.316	48	8.421	30.0	43.9	71.6	99.3	...	38.7	56.7	92.5	128.0	...
870	1.33	48	8.421	64	11.229	40.2	58.8	96.0	133.0	201	53.9	78.9	129.0	179.0	270
870	1.33	60	10.527	80	14.036	48.8	71.3	116.0	161.0	244	69.3	102.0	166.0	230.0	348
855	1.36	28	4.912	38	6.667	18.2	26.7	43.5	60.3	...	28.9	42.3	69.1	95.8	...
851	1.36	44	7.720	60	10.527	37.2	54.4	88.8	123.0	186	48.8	71.4	117.0	162.0	245
848	1.37	38	6.667	52	9.123	32.6	47.6	77.6	108.0	...	41.2	60.3	98.5	137.0	...
844	1.38	32	5.614	44	7.720	23.8	34.8	56.7	78.6	...	33.8	49.4	80.7	112.0	...
841	1.38	29	5.088	40	7.018	19.6	28.6	46.6	64.7	...	30.1	44.1	72.0	99.8	...
838	1.38	52	9.123	72	12.632	43.2	63.1	103.0	143.0	216	59.0	86.4	141.0	196.0	296
829	1.40	40	7.018	56	9.825	34.1	49.9	81.4	113.0	171	43.7	64.0	105.0	145.0	219
829	1.40	80	14.036	112	19.650	61.0	89.2	145.0	202.0	305	95.0	139.0	228.0	317.0	479
825	1.41	64	11.229	90	15.790	51.4	75.2	123.0	170.0	257	74.5	109.0	178.0	248.0	375
822	1.41	34	5.965	48	8.421	26.8	39.2	63.9	88.7	...	36.3	53.0	86.6	120.0	...
819	1.42	48	8.421	68	11.930	40.2	58.8	96.0	133.0	201	53.9	78.9	129.0	179.0	270
812	1.43	28	4.912	40	7.018	18.2	26.7	43.5	60.3	...	28.9	42.3	69.1	95.8	...
812	1.43	56	9.825	80	14.036	46.0	67.3	110.0	152.0	230	64.2	94.0	154.0	213.0	322
803	1.44	36	6.316	52	9.123	30.0	43.9	71.6	99.3	...	38.7	56.7	92.5	128.0	...
798	1.45	44	7.720	64	11.229	37.2	54.4	88.8	123.0	186	48.8	71.4	117.0	162.0	245
791	1.47	30	5.263	44	7.720	20.9	30.6	49.9	69.2	...	31.4	45.9	74.9	104.0	...
787	1.47	38	6.667	56	9.825	32.6	47.6	77.6	108.0	...	41.2	60.3	98.5	137.0	...
773	1.50	32	5.614	48	8.421	23.8	34.8	56.7	78.6	...	33.8	49.4	80.7	112.0	...
773	1.50	40	7.018	60	10.527	34.1	49.9	81.4	113.0	171	43.7	64.0	105.0	145.0	219
773	1.50	48	8.421	72	12.632	40.2	58.8	96.0	133.0	201	53.9	78.9	129.0	179.0	270
773	1.50	60	10.527	90	15.790	48.8	71.3	116.0	161.0	244	69.3	102.0	166.0	230.0	348
Multiply hp rating by belt length factor to determine drive width—BELT LENGTH FACTOR →															



HTS® 14 mm Drive Selection Tables

NOMINAL CENTER DISTANCES																					
BELT LENGTH CODE DESIGNATION																					
966	1190	1400	1610	1778	1890	2100	2310	2450	2590	2800	3150	3360	3500	3850	4326	4578	4956	5320*	5740*	6160*	6860*
.8	.9	.95	1.0	1.05	1.1	.9															
...	10.2	14.3	18.5	21.8	24.0	28.1	32.2	35.0	37.8	41.9	48.8	52.9	55.7	62.6	71.9	76.9	84.3	91.5	99.8	108.0	121.8
9.4	13.8	17.9	22.0	25.4	27.6	31.7	35.8	38.6	41.3	45.5	52.4	56.5	59.3	66.1	75.5	80.5	87.9	95.1	103.3	111.6	125.4
9.9	14.3	18.5	22.6	25.9	28.1	32.2	36.4	39.1	41.9	46.0	52.9	57.0	59.8	66.7	76.1	81.0	88.5	95.6	103.9	112.2	125.9
...	11.3	15.4	19.6	22.9	25.1	29.2	33.3	36.1	38.9	43.0	49.9	54.0	56.8	63.7	73.0	78.0	85.4	92.6	100.9	109.1	122.9
...	13.5	16.8	19.0	23.1	27.3	30.0	32.8	36.9	43.8	47.9	50.7	57.6	67.0	71.9	79.4	86.5	94.8	103.1	116.9
10.5	14.9	19.0	23.1	26.5	28.7	32.8	36.9	39.7	42.4	46.6	53.5	57.6	60.4	67.2	76.6	81.6	89.0	96.2	104.5	112.7	126.5
...	14.6	17.9	20.1	24.2	28.4	31.1	33.9	38.0	44.9	49.1	51.8	58.7	68.1	73.0	80.5	87.6	95.9	104.2	118.0
...	12.4	16.5	20.7	24.0	26.2	30.3	34.4	37.2	40.0	44.1	51.0	55.1	57.9	64.8	74.1	79.1	86.5	93.7	102.0	110.2	124.0
...	...	11.5	15.7	19.0	21.2	25.3	29.5	32.2	35.0	39.1	46.0	50.2	52.9	59.8	69.2	74.1	81.6	88.7	97.0	105.3	119.1
10.0	14.5	18.6	22.7	26.0	28.2	32.4	36.5	39.3	42.0	46.2	53.1	57.2	59.9	66.8	76.2	81.2	88.6	95.8	104.0	112.3	126.1
9.1	13.5	17.6	21.8	25.1	27.3	31.4	35.5	38.3	41.1	45.2	52.1	56.2	59.0	65.9	75.2	80.2	87.6	94.8	103.1	111.3	125.1
...	...	12.6	16.8	20.1	22.3	26.4	30.6	33.3	36.1	40.2	47.1	51.3	54.0	60.9	70.3	75.2	82.7	89.8	98.1	106.4	120.2
...	15.1	17.3	21.5	25.6	28.4	31.1	35.3	42.1	46.3	49.0	55.9	65.3	70.3	77.7	84.9	93.1	101.4	115.2
...	19.0	23.1	25.9	28.6	32.8	39.7	43.8	46.6	53.5	62.8	67.8	75.2	82.4	90.7	98.9	112.7
...	11.5	15.7	19.8	23.1	25.3	29.5	33.6	36.4	39.1	43.3	50.2	54.3	57.0	63.9	73.3	78.3	85.7	92.9	101.1	109.4	123.2
9.6	14.0	18.2	22.3	25.6	27.8	32.0	36.1	38.9	41.6	45.7	52.6	56.8	59.5	66.4	75.8	80.7	88.2	95.4	103.6	111.9	125.7
...	...	13.7	17.9	21.2	23.4	27.5	31.7	34.4	37.2	41.3	48.2	52.4	55.1	62.0	71.4	76.3	83.8	90.9	99.2	107.5	121.3
10.2	14.6	18.7	22.9	26.2	28.4	32.5	36.7	39.4	42.2	46.3	53.2	57.3	60.1	67.0	76.3	81.3	88.7	95.9	104.2	112.4	126.2
...	14.0	17.3	19.5	23.7	27.8	30.6	33.3	37.5	44.4	48.5	51.2	58.1	67.5	72.5	79.9	87.1	95.4	103.6	117.4
8.2	12.6	16.8	20.9	24.2	26.4	30.6	34.7	37.5	40.2	44.4	51.3	55.4	58.1	65.0	74.4	79.4	86.8	94.0	102.2	110.5	124.3
...	10.7	14.8	19.0	22.3	24.5	28.6	32.8	35.5	38.3	42.4	49.3	53.5	56.2	63.1	72.5	77.4	84.9	92.0	100.3	108.6	122.4
...	15.1	18.4	20.6	24.8	28.9	31.7	34.4	38.6	45.5	49.6	52.4	59.2	68.6	73.6	81.0	88.2	96.5	104.7	118.5
9.8	14.2	18.3	22.5	25.8	28.0	32.1	36.2	39.0	41.7	45.9	52.8	56.9	59.7	66.6	75.9	80.9	88.3	95.5	103.8	112.0	125.8
...	15.3	19.5	23.6	26.4	29.2	33.3	40.2	44.3	47.1	54.0	63.4	68.3	75.8	82.9	91.2	99.5	113.3
9.3	13.8	17.9	22.0	25.3	27.5	31.7	35.8	38.6	41.3	45.5	52.4	56.5	59.2	66.1	75.5	80.5	87.9	95.1	103.3	111.6	125.4
...	11.8	16.0	20.1	23.4	25.6	29.7	33.9	36.6	39.4	43.5	50.4	54.6	57.3	64.2	73.6	78.5	86.0	93.1	101.4	109.7	123.5
...	...	12.0	16.2	19.5	21.7	25.9	30.0	32.8	35.5	39.7	46.6	50.7	53.5	60.3	69.7	74.7	82.1	89.3	97.6	105.8	119.6
...	15.6	17.8	22.0	26.1	28.9	31.6	35.8	42.7	46.8	49.6	56.5	65.9	70.8	78.3	85.4	93.7	102.0	115.7
9.9	14.3	18.4	22.6	25.9	28.1	32.2	36.4	39.1	41.9	46.0	52.9	57.0	59.8	66.7	76.1	81.0	88.5	95.6	103.9	112.2	125.9
...	...	13.2	17.3	20.6	22.8	27.0	31.1	33.9	36.6	40.8	47.7	51.8	54.6	61.4	70.8	75.8	83.2	90.4	98.7	106.9	120.7
...	11.0	15.1	19.3	22.6	24.8	28.9	33.1	35.8	38.6	42.7	49.6	53.7	56.5	63.4	72.8	77.7	85.2	92.3	100.6	108.9	122.6
8.5	12.9	17.1	21.2	24.5	26.7	30.9	35.0	37.7	40.5	44.6	51.5	55.7	58.4	65.3	74.7	79.6	87.1	94.3	102.5	110.8	124.6
9.5	13.9	18.0	22.2	25.5	27.7	31.8	36.0	38.7	41.5	45.6	52.5	56.6	59.4	66.3	75.6	80.6	88.1	95.2	103.5	111.8	125.5
...	14.5	17.8	20.0	24.2	28.3	31.1	33.9	38.0	44.9	49.0	51.8	58.7	68.1	73.0	80.5	87.6	95.9	104.2	117.9
...	10.1	14.3	18.4	21.7	23.9	28.1	32.2	35.0	37.7	41.9	48.8	52.9	55.7	62.5	71.9	76.9	84.3	91.5	99.8	108.0	121.8
...	18.8	21.6	24.4	28.5	35.4	39.6	42.4	49.3	58.6	63.6	71.1	78.2	86.5	94.8	108.6
...	15.8	20.0	24.1	26.9	29.7	33.8	40.7	44.9	47.6	54.5	63.9	68.9	76.3	83.5	91.8	100.0	113.8
...	12.1	16.2	20.4	23.7	25.9	30.0	34.2	36.9	39.7	43.8	50.7	54.8	57.6	64.5	73.9	78.8	86.3	93.4	101.7	110.0	123.7
...	...	11.4	15.6	18.9	21.1	25.3	29.4	32.2	35.0	39.1	46.0	50.1	52.9	59.8	69.2	74.1	81.6	88.7	97.0	105.3	119.0
9.6	14.0	18.2	22.3	25.6	27.8	32.0	36.1	38.8	41.6	45.7	52.6	56.8	59.5	66.4	75.8	80.7	88.2	95.4	103.6	111.9	125.7
...	16.1	18.3	22.5	26.7	29.4	32.2	36.3	43.2	47.4	50.1	57.0	66.4	71.4	78.8	86.0	94.2	102.5	116.3
...	11.2	15.4	19.5	22.8	25.0	29.2	33.3	36.1	38.8	43.0	49.9	54.0	56.8	63.7	73.0	78.0	85.4	92.6	100.9	109.1	122.9
...	...	12.6	16.7	20.0	22.3	26.4	30.5	33.3	36.1	40.2	47.1	51.2	54.0	60.9	70.3	75.2	82.7	89.8	98.1	106.4	120.2
8.7	13.2	17.3	21.5	24.8	27.0	31.1	35.3	38.0	40.8	44.9	51.8	55.9	58.7	65.6	75.0	79.9	87.4	94.5	102.8	111.1	124.8
...	10.3	14.5	18.7	22.0	24.2	28.3	32.5	35.2	38.0	42.1	49.0	53.2	55.9	62.8	72.2	77.2	84.6	91.8	100.0	108.3	122.1
...	12.3	16.5	20.6	23.9	26.1	30.3	34.4	37.2	39.9	44.1	51.0	55.1	57.9	64.8	74.1	79.1	86.5	93.7	102.0	110.2	124.0
...	...	13.7	17.8	21.1	23.4	27.5	31.6	34.4	37.2	41.3	48.2	52.3	55.1	62.0	71.4	76.3	83.8	90.9	99.2	107.5	121.3
...	15.0	18.3	20.6	24.7	28.9	31.6	34.4	38.5	45.4	49.6	52.3	59.2	68.6	73.6	81.0	88.2	96.4	104.7	118.5
...	16.3	20.5	24.7	27.4	30.2	34.3	41.3	45.4	48.2	55.1	64.4	69.4	76.9	84.0	92.3	100.6	114.3
8.9	13.3	17.5	21.6	24.9	27.1	31.3	35.4	38.1	40.9	45.0	51.9	56.1	58.8	65.7	75.1	80.1	87.5	94.7	102.9	111.2	125.0
.8	.9	.95	1.0	1.05	1.1	.9															

* These belts are not available in RPP construction.

HTS® 14 mm Drive Selection Tables



DN RPM	Drive Ratio	Sprocket Combination				HP Ratings @ 1160 RPM Driver									
		Driver		Driven		RPP™ Belt Widths					RPP™ PLUS Belt Widths				
		No. Teeth	P.D.	No. Teeth	P.D.	40	55	85	115	170	40	55	85	115	170
Multiply hp rating by belt length factor to determine drive width—BELT LENGTH FACTOR →															
758	1.53	34	5.965	52	9.123	26.8	39.2	63.9	88.7	...	36.3	53.0	86.6	120.0	...
754	1.54	52	9.123	80	14.036	43.2	63.1	103.0	143.0	216	59.0	86.4	141.0	196.0	296
751	1.55	44	7.720	68	11.930	37.2	54.4	88.8	123.0	186	48.8	71.4	117.0	162.0	245
746	1.56	36	6.316	56	9.825	30.0	43.9	71.6	99.3	...	38.7	56.7	92.5	128.0	...
746	1.56	72	12.632	112	19.650	56.4	82.5	135.0	187.0	282	84.8	124.0	203	282.0	427
738	1.57	28	4.912	44	7.720	18.2	26.7	43.5	60.3	...	28.9	42.3	69.1	95.8	...
735	1.58	38	6.667	60	10.527	32.6	47.6	77.6	108.0	...	41.2	60.3	98.5	137.0	...
725	1.60	30	5.263	48	8.421	20.9	30.6	49.9	69.2	...	31.4	45.9	74.9	104.0	...
725	1.60	40	7.018	64	11.229	34.1	49.9	81.4	113.0	171	43.7	64.0	105.0	145.0	219
722	1.61	56	9.825	90	15.790	46.0	67.3	110.0	152.0	230	64.2	94.0	154.0	213.0	322
714	1.63	32	5.614	52	9.123	23.8	34.8	56.7	78.6	...	33.8	49.4	80.7	112.0	...
709	1.64	44	7.720	72	12.632	37.2	54.4	88.8	123.0	186	48.8	71.4	117.0	162.0	245
704	1.65	34	5.965	56	9.825	26.8	39.2	63.9	88.7	...	36.3	53.0	86.6	120.0	...
704	1.65	68	11.930	112	19.650	54.0	78.9	129.0	179.0	270	79.6	117.0	191.0	265.0	401
701	1.66	29	5.088	48	8.421	19.6	28.6	46.6	64.7	...	30.1	44.1	72.0	99.8	...
696	1.67	36	6.316	60	10.527	30.0	43.9	71.6	99.3	...	38.7	56.7	92.5	128.0	...
696	1.67	48	8.421	80	14.036	40.2	58.8	96.0	133.0	201	53.9	78.9	129.0	179.0	270
689	1.68	38	6.667	64	11.229	32.6	47.6	77.6	108.0	...	41.2	60.3	98.5	137.0	...
682	1.70	40	7.018	68	11.930	34.1	49.9	81.4	113.0	171	43.7	64.0	105.0	145.0	219
677	1.71	28	4.912	48	8.421	18.2	26.7	43.5	60.3	...	28.9	42.3	69.1	95.8	...
670	1.73	52	9.123	90	15.790	43.2	63.1	103.0	143.0	216	59.0	86.4	141.0	196.0	296
669	1.73	30	5.263	52	9.123	20.9	30.6	49.9	69.2	...	31.4	45.9	74.9	104.0	...
663	1.75	32	5.614	56	9.825	23.8	34.8	56.7	78.6	...	33.8	49.4	80.7	112.0	...
663	1.75	64	11.229	112	19.650	51.4	75.2	123.0	170.0	257	74.5	109.0	178.0	248.0	375
657	1.76	34	5.965	60	10.527	26.8	39.2	63.9	88.7	...	36.3	53.0	86.6	120.0	...
653	1.78	36	6.316	64	11.229	30.0	43.9	71.6	99.3	...	38.7	56.7	92.5	128.0	...
648	1.79	38	6.667	68	11.930	32.6	47.6	77.6	108.0	...	41.2	60.3	98.5	137.0	...
647	1.79	29	5.088	52	9.123	19.6	28.6	46.6	64.7	...	30.1	44.1	72.0	99.8	...
644	1.80	40	7.018	72	12.632	34.1	49.9	81.4	113.0	171	43.7	64.0	105.0	145.0	219
644	1.80	80	14.036	144	25.264	61.0	89.2	145.0	202.0	305	95.0	139.0	228.0	317.0	479
638	1.82	44	7.720	80	14.036	37.2	54.4	88.8	123.0	186	48.8	71.4	117.0	162.0	245
625	1.86	28	4.912	52	9.123	18.2	26.7	43.5	60.3	...	28.9	42.3	69.1	95.8	...
621	1.87	30	5.263	56	9.825	20.9	30.6	49.9	69.2	...	31.4	45.9	74.9	104.0	...
621	1.87	60	10.527	112	19.650	48.8	71.3	116.0	161.0	244	69.3	102.0	166.0	230.0	348
619	1.88	32	5.614	60	10.527	23.8	34.8	56.7	78.6	...	33.8	49.4	80.7	112.0	...
619	1.88	48	8.421	90	15.790	40.2	58.8	96.0	133.0	201	53.9	78.9	129.0	179.0	270
616	1.88	34	5.965	64	11.229	26.8	39.2	63.9	88.7	...	36.3	53.0	86.6	120.0	...
614	1.89	36	6.316	68	11.930	30.0	43.9	71.6	99.3	...	38.7	56.7	92.5	128.0	...
612	1.89	38	6.667	72	12.632	32.6	47.6	77.6	108.0	...	41.2	60.3	98.5	137.0	...
601	1.93	29	5.088	56	9.825	19.6	28.6	46.6	64.7	...	30.1	44.1	72.0	99.8	...
580	2.00	28	4.912	56	9.825	18.2	26.7	43.5	60.3	...	28.9	42.3	69.1	95.8	...
580	2.00	30	5.263	60	10.527	20.9	30.6	49.9	69.2	...	31.4	45.9	74.9	104.0	...
580	2.00	32	5.614	64	11.229	23.8	34.8	56.7	78.6	...	33.8	49.4	80.7	112.0	...
580	2.00	34	5.965	68	11.930	26.8	39.2	63.9	88.7	...	36.3	53.0	86.6	120.0	...
580	2.00	36	6.316	72	12.632	30.0	43.9	71.6	99.3	...	38.7	56.7	92.5	128.0	...
580	2.00	40	7.018	80	14.036	34.1	49.9	81.4	113.0	171	43.7	64.0	105.0	145.0	219
580	2.00	56	9.825	112	19.650	46.0	67.3	110.0	152.0	230	64.2	94.0	154.0	213.0	322
580	2.00	72	12.632	144	25.264	56.4	82.5	135.0	187.0	282	84.8	124.0	203.0	282.0	427
567	2.05	44	7.720	90	15.790	37.2	54.4	88.8	123.0	186	48.8	71.4	117.0	162.0	245
561	2.07	29	5.088	60	10.527	19.6	28.6	46.6	64.7	...	30.1	44.1	72.0	99.8	...
Multiply hp rating by belt length factor to determine drive width—BELT LENGTH FACTOR →															



HTS® 14 mm Drive Selection Tables

NOMINAL CENTER DISTANCES																					
BELT LENGTH CODE DESIGNATION																					
966	1190	1400	1610	1778	1890	2100	2310	2450	2590	2800	3150	3360	3500	3850	4326	4578	4956	5320*	5740*	6160*	6860*
.8	.9	.95	1.0	1.05	1.1	.9															
...	11.5	15.6	19.8	23.1	25.3	29.4	33.6	36.3	39.1	43.2	50.1	54.3	57.0	63.9	73.3	78.3	85.7	92.9	101.1	109.4	123.2
...	13.3	16.6	18.9	23.0	27.2	29.9	32.7	36.8	43.8	47.9	50.7	57.6	66.9	71.9	79.3	86.5	94.8	103.0	116.8
...	...	11.9	16.1	19.5	21.7	25.8	30.0	32.7	35.5	39.6	46.5	50.7	53.4	60.3	69.7	74.7	82.1	89.3	97.5	105.8	119.6
...	10.6	14.8	18.9	22.3	24.5	28.6	32.8	35.5	38.3	42.4	49.3	53.4	56.2	63.1	72.5	77.4	84.9	92.0	100.3	108.6	122.4
...	19.8	22.6	25.4	29.6	36.5	40.6	43.4	50.3	59.7	64.7	72.1	79.3	87.6	95.8	109.6
...	13.4	17.6	21.7	25.0	27.2	31.4	35.5	38.3	41.0	45.2	52.1	56.2	59.0	65.9	75.2	80.2	87.6	94.8	103.1	111.3	125.1
...	9.7	13.9	18.1	21.4	23.6	27.8	31.9	34.7	37.4	41.6	48.5	52.6	55.4	62.3	71.6	76.6	84.0	91.2	99.5	107.7	121.5
...	12.6	16.7	20.9	24.2	26.4	30.6	34.7	37.4	40.2	44.3	51.2	55.4	58.1	65.0	74.4	79.4	86.8	94.0	102.2	110.5	124.3
...	...	13.1	17.2	20.6	22.8	26.9	31.1	33.8	36.6	40.7	47.6	51.8	54.5	61.4	70.8	75.8	83.2	90.4	98.6	106.9	120.7
...	14.6	16.8	21.0	25.2	27.9	30.7	34.9	41.8	45.9	48.7	55.6	65.0	69.9	77.4	84.6	92.8	101.1	114.9
...	11.7	15.9	20.0	23.4	25.6	29.7	33.9	36.6	39.4	43.5	50.4	54.5	57.3	64.2	73.6	78.5	86.0	93.1	101.4	109.7	123.5
...	15.5	18.9	21.1	25.2	29.4	32.2	34.9	39.1	46.0	50.1	52.9	59.8	69.1	74.1	81.5	88.7	97.0	105.3	119.0
...	10.8	15.0	19.2	22.5	24.7	28.9	33.0	35.8	38.5	42.7	49.6	53.7	56.5	63.4	72.7	77.7	85.1	92.3	100.6	108.8	122.6
...	20.3	23.1	25.9	30.1	37.0	41.2	43.9	50.8	60.2	65.2	72.7	79.8	88.1	96.4	110.2
...	12.7	16.9	21.0	24.3	26.5	30.7	34.8	37.6	40.3	44.5	51.4	55.5	58.3	65.2	74.5	79.5	86.9	94.1	102.4	110.6	124.4
...	10.0	14.2	18.3	21.7	23.9	28.0	32.2	34.9	37.7	41.8	48.7	52.9	55.6	62.5	71.9	76.9	84.3	91.5	99.7	108.0	121.8
...	13.8	17.1	19.4	23.5	27.7	30.5	33.2	37.4	44.3	48.4	51.2	58.1	67.5	72.4	79.9	87.0	95.3	103.6	117.4
...	...	13.3	17.5	20.8	23.0	27.2	31.3	34.1	36.9	41.0	47.9	52.0	54.8	61.7	71.1	76.0	83.5	90.6	98.9	107.2	121.0
...	...	12.4	16.6	20.0	22.2	26.3	30.5	33.3	36.0	40.2	47.1	51.2	54.0	60.9	70.2	75.2	82.6	89.8	98.1	106.4	120.1
...	12.8	17.0	21.1	24.5	26.7	30.8	35.0	37.7	40.5	44.6	51.5	55.6	58.4	65.3	74.7	79.6	87.1	94.2	102.5	110.8	124.6
...	15.1	17.3	21.5	25.7	28.5	31.2	35.4	42.3	46.5	49.2	56.1	65.5	70.5	77.9	85.1	93.4	101.6	115.4
...	12.0	16.1	20.3	23.6	25.8	30.0	34.1	36.9	39.6	43.8	50.7	54.8	57.6	64.5	73.8	78.8	86.2	93.4	101.7	109.9	123.7
...	11.1	15.3	19.4	22.8	25.0	29.1	33.3	36.0	38.8	42.9	49.8	54.0	56.7	63.6	73.0	78.0	85.4	92.6	100.8	109.1	122.9
...	20.8	23.6	26.4	30.6	37.5	41.7	44.4	51.4	60.8	65.7	73.2	80.4	88.6	96.9	110.7
...	10.2	14.4	18.6	21.9	24.1	28.3	32.4	35.2	38.0	42.1	49.0	53.1	55.9	62.8	72.2	77.1	84.6	91.7	100.0	108.3	122.1
...	...	13.5	17.7	21.1	23.3	27.4	31.6	34.4	37.1	41.3	48.2	52.3	55.1	62.0	71.3	76.3	83.7	90.9	99.2	107.5	121.2
...	...	12.7	16.9	20.2	22.4	26.6	30.8	33.5	36.3	40.4	47.3	51.5	54.2	61.1	70.5	75.5	82.9	90.1	98.4	106.6	120.4
...	12.1	16.3	20.4	23.8	26.0	30.1	34.3	37.0	39.8	43.9	50.8	54.9	57.7	64.6	74.0	78.9	86.4	93.5	101.8	110.1	123.9
...	...	11.8	16.0	19.4	21.6	25.7	29.9	32.7	35.4	39.6	46.5	50.6	53.4	60.3	69.7	74.6	82.1	89.3	97.5	105.8	119.6
...	23.6	30.6	34.8	37.6	44.6	54.0	59.0	66.5	73.6	81.9	90.2	104.0
...	14.2	17.6	19.9	24.0	28.2	31.0	33.7	37.9	44.8	49.0	51.7	58.6	68.0	73.0	80.4	87.6	95.9	104.1	117.9
...	12.2	16.4	20.6	23.9	26.1	30.2	34.4	37.1	39.9	44.0	50.9	55.1	57.8	64.7	74.1	79.1	86.5	93.7	102.0	110.2	124.0
...	11.3	15.5	19.7	23.0	25.2	29.4	33.5	36.3	39.1	43.2	50.1	54.2	57.0	63.9	73.3	78.2	85.7	92.8	101.1	109.4	123.2
...	17.0	21.3	24.1	26.9	31.1	38.0	42.2	45.0	51.9	61.3	66.3	73.7	80.9	89.2	97.5	111.2
...	10.4	14.7	18.8	22.2	24.4	28.6	32.7	35.5	38.2	42.4	49.3	53.4	56.2	63.1	72.4	77.4	84.8	92.0	100.3	108.6	122.3
...	15.5	17.8	22.0	26.2	29.0	31.7	35.9	42.8	47.0	49.7	56.7	66.0	71.0	78.5	85.6	93.9	102.2	116.0
...	...	13.8	18.0	21.3	23.5	27.7	31.9	34.6	37.4	41.5	48.4	52.6	55.3	62.2	71.6	76.6	84.0	91.2	99.5	107.7	121.5
...	...	12.9	17.1	20.5	22.7	26.9	31.0	33.8	36.5	40.7	47.6	41.7	54.5	61.4	70.8	75.7	83.2	90.4	98.6	106.9	120.7
...	...	12.0	16.3	19.6	21.8	26.0	30.2	32.9	35.7	39.8	46.8	50.9	53.7	60.6	69.9	74.9	82.4	89.5	97.8	106.1	119.8
...	11.5	15.7	19.8	23.2	25.4	29.5	33.7	36.4	39.2	43.3	50.2	54.4	57.1	64.0	73.4	78.4	85.8	93.0	101.3	109.5	123.3
...	11.6	15.8	20.0	23.3	25.5	29.7	33.8	36.6	39.3	43.5	50.4	54.5	57.3	64.2	73.5	78.5	86.0	93.1	101.4	109.7	123.4
...	10.7	14.9	19.1	22.4	24.7	28.8	33.0	35.7	38.5	42.6	49.5	53.7	56.4	63.3	72.7	77.7	85.1	92.3	100.6	108.8	122.6
...	9.8	14.0	18.2	21.6	23.8	28.0	32.1	34.9	37.6	41.8	48.7	52.8	55.6	62.5	71.9	76.8	84.3	91.5	99.7	108.0	121.8
...	...	13.2	17.4	20.7	22.9	27.1	31.3	34.0	36.8	41.0	47.9	52.0	54.8	61.7	71.0	76.0	83.5	90.6	98.9	107.2	121.0
...	...	12.3	16.5	19.9	22.1	26.3	30.4	33.2	36.0	40.1	47.0	51.2	53.9	60.8	70.2	75.2	82.6	89.8	98.1	106.3	120.1
...	14.7	18.1	20.4	24.5	28.7	31.5	34.3	38.4	45.3	49.5	52.2	59.1	68.5	73.5	80.9	88.1	96.4	104.7	118.5
...	17.5	21.7	24.6	27.4	31.6	38.5	42.7	45.5	52.4	61.8	66.8	74.2	81.4	89.7	98.0	111.8
...	20.2	24.5	31.6	35.8	38.6	45.6	55.0	60.0	67.5	74.7	83.0	91.3	105.1
...	16.0	18.3	22.5	26.7	29.5	32.3	36.4	43.3	47.5	50.3	57.2	66.6	71.5	79.0	86.2	94.4	102.7	116.5
...	10.8	15.0	19.2	22.6	24.8	28.9	33.1	35.9	38.6	42.8	49.7	53.8	56.6	63.5	72.8	77.8	85.3	92.4	100.7	109.0	122.7
.8	.9	.95	1.0	1.05	1.1	.9															

* These belts are not available in RPP construction.

PULLEYS

HTS® 14 mm Drive Selection Tables



DN RPM	Drive Ratio	Sprocket Combination				HP Ratings @ 1160 RPM Driver									
		Driver		Driven		RPP™ Belt Widths					RPP™ PLUS Belt Widths				
		No. Teeth	P.D.	No. Teeth	P.D.	40	55	85	115	170	40	55	85	115	170
Multiply hp rating by belt length factor to determine drive width—BELT LENGTH FACTOR →															
552	2.10	80	14.036	168	29.475	61.0	89.2	145.0	202.0	305	95.0	139.0	228.0	317.0	479
551	2.11	38	6.667	80	14.036	32.6	47.6	77.6	108.0	...	41.2	60.3	98.5	137.0	...
548	2.12	34	5.965	72	12.632	26.8	39.2	63.9	88.7	...	36.3	53.0	86.6	120.0	...
548	2.12	68	11.930	144	25.264	54.0	78.9	129.0	179.0	270	79.6	117.0	191.0	265.0	401
546	2.13	32	5.614	68	11.930	23.8	34.8	56.7	78.6	...	33.8	49.4	80.7	112.0	...
544	2.13	30	5.263	64	11.930	20.9	30.6	49.9	69.2	...	31.4	45.9	74.9	104.0	...
541	2.14	28	4.912	60	10.527	18.2	26.7	43.5	60.3	...	28.9	42.3	69.1	95.8	...
539	2.15	52	9.123	112	19.650	43.2	63.1	103.0	143.0	216	59.0	86.4	141.0	196.0	296
526	2.21	29	5.088	64	11.229	19.6	28.6	46.6	64.7	...	30.1	44.1	72.0	99.8	...
522	2.22	36	6.316	80	14.036	30.0	43.9	71.6	99.3	...	38.7	56.7	92.5	128.0	...
516	2.25	32	5.614	72	12.632	23.8	34.8	56.7	78.6	...	33.8	49.4	80.7	112.0	...
516	2.25	40	7.018	90	15.790	34.1	49.9	81.4	113.0	171	43.7	64.0	105.0	145.0	219
516	2.25	64	11.229	144	25.264	51.4	75.2	123.0	170.0	257	74.5	109.0	178.0	248.0	375
512	2.27	30	5.263	68	11.930	20.9	30.6	49.9	69.2	...	31.4	45.9	74.9	104.0	...
508	2.29	28	4.912	64	11.229	18.2	26.7	43.5	60.3	...	28.9	42.3	69.1	95.8	...
497	2.33	48	8.412	112	19.650	40.2	58.8	96.0	133.0	201	53.9	78.9	129.0	179.0	270
497	2.33	72	12.632	168	29.475	56.4	82.5	135.0	187.0	282	84.8	124.0	203.0	282.0	427
495	2.34	29	5.088	68	11.930	19.6	28.6	46.6	64.7	...	30.1	44.1	72.0	99.8	...
493	2.35	34	5.965	80	14.036	26.8	39.2	63.9	88.7	...	36.3	53.0	86.6	120.0	...
490	2.37	38	6.667	90	15.790	32.6	47.6	77.6	108.0	...	41.2	60.3	98.5	137.0	...
483	2.40	30	5.263	72	12.632	20.9	30.6	49.9	69.2	...	31.4	45.9	74.9	104.0	...
483	2.40	60	10.527	144	25.264	48.8	71.3	116.0	161.0	244	69.3	102.0	166.0	230.0	348
483	2.40	80	14.036	192	33.686	61.0	89.2	145.0	202.0	305	95.0	139.0	228.0	317.0	479
478	2.43	28	4.912	68	11.930	18.2	26.7	43.5	60.3	...	28.9	42.3	69.1	95.8	...
470	2.47	68	11.930	168	29.475	54.0	78.9	129.0	179.0	270	79.6	117.0	191	265.0	401
467	2.48	29	5.088	72	12.632	19.6	28.6	46.6	64.7	...	30.1	44.1	72.0	99.8	...
464	2.50	32	5.614	80	14.036	23.8	34.8	56.7	78.6	...	33.8	49.4	80.7	112.0	...
464	2.50	36	6.316	90	15.790	30.0	43.9	71.6	99.3	...	38.7	56.7	92.5	128.0	...
456	2.55	44	7.720	112	19.650	37.2	54.4	88.8	123.0	186	48.8	71.4	117.0	162.0	245
451	2.57	28	4.912	72	12.632	18.2	26.7	43.5	60.3	...	28.9	42.3	69.1	95.8	...
451	2.57	56	9.825	144	25.264	46.0	67.3	110.0	152.0	230	64.2	94.0	154.0	213.0	322
442	2.63	64	11.229	168	29.475	51.4	75.2	123.0	170.0	257	74.5	109.0	178.0	248.0	375
438	2.65	34	5.965	90	15.790	26.8	39.2	63.9	88.7	...	36.3	53.0	86.6	120.0	...
435	2.67	30	5.263	80	14.036	20.9	30.6	49.9	69.2	...	31.4	45.9	74.9	104.0	...
435	2.67	72	12.632	192	33.686	56.4	82.5	135.0	187.0	282	84.8	124.0	203.0	282.0	427
430	2.70	80	14.036	216	37.896	61.0	89.2	145.0	202.0	305	95.0	139.0	228.0	317.0	479
421	2.76	29	5.088	80	14.036	19.6	28.6	46.6	64.7	...	30.1	44.1	72.0	99.8	...
419	2.77	52	9.123	144	25.264	43.2	63.1	103.0	143.0	216	59.0	86.4	141.0	196.0	296
414	2.80	40	7.018	112	19.650	34.1	49.9	81.4	113.0	171	43.7	64.0	105.0	145.0	219
414	2.80	60	10.527	168	29.475	48.8	71.3	116.0	161.0	244	69.3	102.0	166.0	230.0	348
412	2.81	32	5.614	90	15.790	23.8	34.8	56.7	78.6	...	33.8	49.4	80.7	112.0	...
411	2.82	68	11.930	192	33.686	54.0	78.9	129.0	179.0	270	79.6	117.0	191.0	265.0	401
406	2.86	28	4.912	80	14.036	18.2	26.7	43.5	60.3	...	28.9	42.3	69.1	95.8	...
394	2.95	38	6.667	112	19.650	32.6	47.6	77.6	108.0	...	41.2	60.3	98.5	137.0	...
387	3.00	30	5.263	90	15.790	20.9	30.6	49.9	69.2	...	31.4	45.9	74.9	104.0	...
387	3.00	48	8.421	144	25.264	40.2	58.8	96.0	133.0	201	53.9	78.9	129.0	179.0	270
387	3.00	56	9.825	168	29.475	46.0	67.3	110.0	152.0	230	64.2	94.0	154.0	213.0	322
387	3.00	64	11.229	192	33.686	51.4	75.2	123.0	170.0	257	74.5	109.0	178.0	248.0	375
387	3.00	72	12.632	216	37.896	56.4	82.5	135.0	187.0	282	84.8	124.0	203.0	282.0	427
374	3.10	29	5.088	90	15.790	19.6	28.6	46.6	64.7	...	30.1	44.1	72.0	99.8	...
Multiply hp rating by belt length factor to determine drive width—BELT LENGTH FACTOR →															



HTS® 14 mm Drive Selection Tables

NOMINAL CENTER DISTANCES																					
BELT LENGTH CODE DESIGNATION																					
966	1190	1400	1610	1778	1890	2100	2310	2450	2590	2800	3150	3360	3500	3850	4326	4578	4956	5320*	5740*	6160*	6860*
.8	.9	.95	1.0	1.05	1.1	.9															
...	26.7	31.0	33.8	40.9	50.4	55.4	62.9	70.1	78.4	86.7	100.6
...	15.0	18.4	20.6	24.8	29.0	31.7	34.5	38.7	45.6	49.7	52.5	59.4	68.8	73.8	81.2	88.4	96.7	104.9	118.7
...	...	12.5	16.7	20.1	22.3	26.5	30.7	33.4	36.2	40.4	47.3	51.4	54.2	61.1	70.5	75.4	82.9	90.1	98.3	106.6	120.4
...	20.7	25.0	32.1	36.3	39.1	46.1	55.5	60.5	68.0	75.2	83.5	91.8	105.6
...	...	13.4	17.6	21.0	23.2	27.4	31.5	34.3	37.1	41.2	48.1	52.3	55.0	61.9	71.3	76.3	83.7	90.9	99.2	107.4	121.2
...	...	14.3	18.5	21.8	24.1	28.2	32.4	35.1	37.9	42.1	49.0	53.1	55.9	62.8	72.1	77.1	84.6	91.7	100.0	108.3	122.1
...	...	15.2	19.4	22.7	24.9	29.1	33.2	36.0	38.8	42.9	49.8	53.9	56.7	63.6	73.0	77.9	85.4	92.6	100.8	109.1	122.9
...	17.9	22.2	25.1	27.9	32.1	39.0	43.2	46.0	52.9	62.3	67.3	74.8	82.0	90.2	98.5	112.3
...	...	14.4	18.6	22.0	24.2	28.4	32.5	35.3	38.0	42.2	49.1	53.2	56.0	62.9	72.3	77.2	84.7	91.9	100.1	108.4	122.2
...	15.2	18.6	20.8	25.0	29.2	32.0	34.8	38.9	45.9	50.0	52.8	59.7	69.1	74.0	81.5	88.7	96.9	105.2	119.0
...	...	12.7	17.0	20.4	22.6	26.8	30.9	33.7	36.5	40.6	47.5	51.7	54.5	61.4	70.7	75.7	83.2	90.3	98.6	106.9	120.7
...	13.0	16.5	18.8	23.0	27.2	30.0	32.8	36.9	43.9	48.0	50.8	57.7	67.1	72.1	79.5	86.7	95.0	103.3	117.0
...	21.1	25.5	32.6	36.8	39.6	46.6	56.0	61.0	68.5	75.7	84.0	92.3	106.1
...	...	13.6	17.9	21.2	23.5	27.6	31.8	34.6	37.3	41.5	48.4	52.5	55.3	62.2	71.6	76.5	84.0	91.2	99.4	107.7	121.5
...	...	14.5	18.7	22.1	24.3	28.5	32.6	35.4	38.2	42.3	49.2	53.4	56.1	63.0	72.4	77.4	84.8	92.0	100.3	108.5	122.3
...	18.4	22.7	25.5	28.4	32.6	39.5	43.7	46.5	53.4	62.8	67.8	75.3	82.5	90.8	99.1	112.9
...	27.6	31.9	34.8	41.8	51.4	56.4	63.9	71.1	79.5	87.8	101.6
...	...	13.8	18.0	21.3	23.6	27.8	31.9	34.7	37.5	41.6	48.5	52.7	55.4	62.3	71.7	76.7	84.1	91.3	99.6	107.8	121.6
...	15.4	18.8	21.1	25.3	29.5	32.3	35.0	39.2	46.1	50.3	53.0	59.9	69.3	74.3	81.7	88.9	97.2	105.5	119.3
...	13.3	16.7	19.0	23.2	27.4	30.2	33.0	37.2	44.1	48.3	51.0	58.0	67.4	72.3	79.8	87.0	95.2	103.5	117.3
...	...	13.0	17.2	20.6	22.8	27.0	31.2	34.0	36.7	40.9	47.8	52.0	54.7	61.6	71.0	76.0	83.4	90.6	98.9	107.1	120.9
...	21.6	25.9	33.0	37.3	40.1	47.1	56.5	61.5	69.0	76.2	84.5	92.8	106.7
...	26.8	29.8	37.0	46.6	51.7	59.2	66.5	74.8	83.2	97.0
...	...	13.9	18.1	21.5	23.7	27.9	32.0	34.8	37.6	41.7	48.6	52.8	55.6	62.5	71.8	76.8	84.3	91.4	99.7	108.0	121.8
...	28.1	32.4	35.2	42.3	51.9	56.9	64.4	71.6	80.0	88.3	102.1
...	...	13.1	17.3	20.7	23.0	27.1	31.3	34.1	36.9	41.0	47.9	52.1	54.8	61.8	71.1	76.1	83.6	90.7	99.0	107.3	121.1
...	...	11.3	15.7	19.1	21.3	25.5	29.7	32.5	35.3	39.4	46.4	50.5	53.3	60.2	69.6	74.6	82.0	89.2	97.5	105.7	119.5
...	13.5	17.0	19.2	23.5	27.7	30.5	33.3	37.4	44.4	48.5	51.3	58.2	67.6	72.6	80.1	87.2	95.5	103.8	117.6
...	18.9	23.2	26.0	28.8	33.1	40.0	44.2	47.0	53.9	63.4	68.4	75.8	83.0	91.3	99.6	113.4
...	...	13.2	17.5	20.8	23.1	27.3	31.4	34.2	37.0	41.1	48.1	52.2	55.0	61.9	71.3	76.2	83.7	90.9	99.1	107.4	121.2
...	19.1	22.1	26.4	33.5	37.8	40.6	47.6	57.0	62.1	69.6	76.8	85.1	93.4	107.2
...	28.5	32.9	35.7	42.8	52.4	57.4	64.9	72.1	80.5	88.8	102.6
...	13.7	17.2	19.5	23.7	27.9	30.7	33.5	37.7	44.6	48.8	51.6	58.5	67.9	72.9	80.3	87.5	95.8	104.1	117.8
...	...	11.6	15.9	19.3	21.6	25.8	30.0	32.8	35.5	39.7	46.6	50.8	53.6	60.5	69.9	74.8	82.3	89.5	97.7	106.0	119.8
...	27.8	30.7	37.9	47.6	52.6	60.2	67.5	75.8	84.2	98.1
...	32.8	42.6	47.8	55.4	62.7	71.2	79.5	93.4
...	...	11.7	16.0	19.4	21.7	25.9	30.1	32.9	35.7	39.8	46.8	50.9	53.7	60.6	70.0	75.0	82.4	89.6	97.9	106.1	119.9
...	19.6	22.5	26.9	34.0	38.2	41.1	48.1	57.6	62.6	70.1	77.3	85.6	93.9	107.7
...	14.9	19.3	23.7	26.5	29.3	33.5	40.5	44.7	47.5	54.5	63.9	68.9	76.3	83.5	91.8	100.1	113.9
...	21.7	29.0	33.3	36.2	43.3	52.8	57.9	65.4	72.7	81.0	89.3	103.2
...	13.9	17.4	19.7	24.0	28.2	31.0	33.8	37.9	44.9	49.1	51.8	58.7	68.1	73.1	80.6	87.8	96.0	104.3	118.1
...	28.2	31.1	38.4	48.0	53.1	60.7	68.0	76.3	84.7	98.6
...	...	11.8	16.1	19.6	21.8	26.0	30.2	33.0	35.8	40.0	46.9	51.0	53.8	60.7	70.1	75.1	82.5	89.7	98.0	106.3	120.1
...	15.2	19.6	23.9	26.7	29.6	33.8	40.8	45.0	47.8	54.7	64.1	69.1	76.6	83.8	92.1	100.4	114.2
...	14.2	17.7	19.9	24.2	28.4	31.2	34.0	38.2	45.1	49.3	52.1	59.0	68.4	73.4	80.8	88.0	96.3	104.6	118.4
...	20.0	23.0	27.3	34.5	38.7	41.5	48.6	58.1	63.1	70.6	77.8	86.1	94.4	108.2
...	22.1	29.5	33.8	36.7	43.8	53.3	58.4	65.9	73.2	81.5	89.8	103.7
...	24.2	28.7	31.6	38.8	48.5	53.6	61.2	68.5	76.9	85.2	99.1
...	33.7	43.6	48.7	56.4	63.7	72.1	80.5	94.5
...	14.3	17.8	20.1	24.3	28.5	31.3	34.1	38.3	45.3	49.4	52.2	59.1	68.5	73.5	81.0	88.2	96.4	104.7	118.5
.8	.9	.95	1.0	1.05	1.1	.9															

* These belts are not available in RPP construction.

PULLEYS

HTS® 14 mm Drive Selection Tables



DN RPM	Drive Ratio	Sprocket Combination				HP Ratings @ 1160 RPM Driver									
		Driver		Driven		RPP™ Belt Widths					RPP™ PLUS Belt Widths				
		No. Teeth	P.D.	No. Teeth	P.D.	40	55	85	115	170	40	55	85	115	170
Multiply hp rating by belt length factor to determine drive width—BELT LENGTH FACTOR →															
373	3.11	36	6.316	112	19.650	30.0	43.9	71.6	99.3	...	38.7	56.7	92.5	128.0	...
365	3.18	68	11.930	216	37.896	54.0	78.9	129.0	179.0	270	79.6	117.0	191.0	265.0	401
363	3.20	60	10.527	192	33.686	48.8	71.3	116.0	161.0	244	69.3	102.0	166.0	230.0	348
361	3.21	28	4.912	90	15.790	18.2	26.7	43.5	60.3	...	28.9	42.3	69.1	95.8	...
359	3.23	52	9.123	168	29.475	43.2	63.1	103.0	143.0	216	59.0	86.4	141.0	196.0	296
354	3.27	44	7.720	144	25.264	37.2	54.4	88.8	123.0	186	48.8	71.4	117.0	162.0	245
352	3.29	34	5.965	112	19.650	26.8	39.2	63.9	88.7	...	36.3	53.0	86.6	120.0	...
344	3.38	64	11.229	216	37.896	51.4	75.2	123.0	170.0	257	74.5	109.0	178.0	248.0	375
338	3.43	56	9.825	192	33.686	46.0	67.3	110.0	152.0	230	64.2	94.0	154.0	213.0	322
331	3.50	32	5.614	112	19.650	23.8	34.8	56.7	78.6	...	33.8	49.4	80.7	112.0	...
331	3.50	48	8.421	168	37.896	40.2	58.8	96.0	133.0	201	53.9	78.9	129.0	179.0	270
322	3.60	40	7.018	144	33.686	34.1	49.9	81.4	113.0	171	43.7	64.0	105.0	145.0	219
322	3.60	60	10.527	216	19.650	48.8	71.3	116.0	161.0	244	69.3	102.0	166.0	230.0	348
314	3.69	52	9.123	192	29.475	43.2	63.1	103.0	143.0	216	59.0	86.4	141.0	196.0	296
311	3.73	30	5.263	112	25.264	20.9	30.6	49.9	69.2	...	31.4	45.9	74.9	104.0	...
306	3.79	38	6.667	144	37.896	32.6	47.6	77.6	108.0	...	41.2	60.3	98.5	137.0	...
304	3.82	44	7.720	168	33.686	37.2	54.4	88.8	123.0	186	48.8	71.4	117.0	162.0	245
301	3.86	56	9.825	216	19.650	46.0	67.3	110.0	152.0	230	64.2	94.0	154.0	213.0	322
300	3.86	29	5.088	112	25.264	19.6	28.6	46.6	64.7	...	30.1	44.1	72.0	99.8	...
290	4.00	28	4.912	112	29.475	18.2	26.7	43.5	60.3	...	28.9	42.3	69.1	95.8	...
290	4.00	36	6.316	144	37.896	30.0	43.9	71.6	99.3	...	38.7	56.7	92.5	128.0	...
290	4.00	48	8.421	192	19.650	40.2	58.8	96.0	133.0	201	53.9	78.9	129.0	179.0	270
279	4.15	52	9.123	216	19.650	43.2	63.1	103.0	143.0	216	59.0	86.4	141.0	196.0	296
276	4.20	40	7.018	168	25.264	34.1	49.9	81.4	113.0	171	43.7	64.0	105.0	145.0	219
274	4.24	34	5.965	144	33.686	26.8	39.2	63.9	88.7	...	36.3	53.0	86.6	120.0	...
266	4.36	44	7.720	192	37.896	37.2	54.4	88.8	123.0	186	48.8	71.4	117.0	162.0	245
262	4.42	38	6.667	168	29.475	32.6	47.6	77.6	108.0	...	41.2	60.3	98.5	137.0	...
258	4.50	32	5.614	144	25.264	23.8	34.8	56.7	78.6	...	33.8	49.4	80.7	112.0	...
258	4.50	48	8.421	216	33.686	40.2	58.8	96.0	133.0	201	53.9	78.9	129.0	179.0	270
249	4.67	36	6.316	168	29.475	30.0	43.9	71.6	99.3	...	38.7	56.7	92.5	128.0	...
242	4.80	30	5.263	144	25.264	20.9	30.6	49.9	69.2	...	31.4	45.9	74.9	104.0	...
242	4.80	40	7.018	192	37.896	34.1	49.9	81.4	113.0	171	43.7	64.0	105.0	145.0	219
236	4.91	44	7.720	216	29.475	37.2	54.4	88.8	123.0	186	48.8	71.4	117.0	162.0	245
235	4.94	34	5.965	168	25.264	26.8	39.2	63.9	88.7	...	36.3	53.0	86.6	120.0	...
234	4.97	29	5.088	144	33.686	19.6	28.6	46.6	64.7	...	30.1	44.1	72.0	99.8	...
230	5.05	38	6.667	192	37.896	32.6	47.6	77.6	108.0	...	41.2	60.3	98.5	137.0	...
226	5.14	28	4.912	144	29.475	18.2	26.7	43.5	60.3	...	28.9	42.3	69.1	95.8	...
221	5.25	32	5.614	168	25.264	23.8	34.8	56.7	78.6	...	33.8	49.4	80.7	112.0	...
218	5.33	36	6.316	192	33.686	30.0	43.9	71.6	99.3	...	38.7	56.7	92.5	128.0	...
215	5.40	40	7.018	216	25.264	34.1	49.9	81.4	113.0	171	43.7	64.0	105.0	145.0	219
207	5.60	30	5.263	168	29.475	20.9	30.6	49.9	69.2	...	31.4	45.9	74.9	104.0	...
205	5.65	34	5.965	192	33.686	32.6	39.2	63.9	88.7	...	36.3	53.0	86.6	120.0	...
204	5.68	38	6.667	216	37.896	20.9	47.6	77.6	108.0	...	41.2	60.3	98.5	137.0	...
200	5.79	29	5.088	168	29.475	19.6	28.6	46.6	64.7	...	30.1	44.1	72.0	99.8	...
193	6.00	28	4.912	168	33.686	18.2	26.7	43.5	60.3	...	28.9	42.3	69.1	95.8	...
193	6.00	32	5.614	192	37.896	23.8	34.8	56.7	78.6	...	33.8	49.4	80.7	112.0	...
193	6.00	36	6.316	216	29.475	30.0	43.9	71.6	99.3	...	38.7	56.7	92.5	128.0	...
183	6.35	34	5.965	216	29.475	26.8	39.2	63.9	88.7	...	36.3	53.0	86.6	120.0	...
181	6.40	30	5.263	192	33.686	20.9	30.6	49.9	69.2	...	31.4	45.9	74.9	104.0	...
175	6.62	29	5.088	192	37.896	19.6	28.6	46.6	64.7	...	30.1	44.1	72.0	99.8	...
172	6.75	32	5.614	216	37.896	23.8	34.8	56.7	78.6	...	33.8	49.4	80.7	112.0	...
169	6.86	28	4.912	192	33.686	18.2	26.7	43.5	60.3	...	28.9	42.3	69.1	95.8	...
161	7.20	30	5.263	216	33.686	20.9	30.6	49.9	69.2	...	31.4	45.9	74.9	104.0	...
156	7.45	29	5.088	216	37.896	19.6	28.6	46.6	64.7	...	30.1	44.1	72.0	99.8	...
150	7.71	28	4.912	216	33.686	18.2	26.7	43.5	60.3
Multiply hp rating by belt length factor to determine drive width—BELT LENGTH FACTOR →															



HTS® 14 mm Drive Selection Tables

NOMINAL CENTER DISTANCES																						
BELT LENGTH CODE DESIGNATION																						
966	1190	1400	1610	1778	1890	2100	2310	2450	2590	2800	3150	3360	3500	3850	4326	4578	4956	5320*	5740*	6160*	6860*	
.8		.9		.95		1.0			1.05			1.1						.9				
...	15.4	19.8	24.1	27.0	29.8	34.0	41.0	45.2	48.0	55.0	64.4	69.4	76.9	84.1	92.3	100.6	114.4	
...	26.7	34.2	44.0	49.2	56.9	64.2	72.6	81.0	95.0	
...	24.6	29.1	32.1	39.3	49.0	54.1	61.7	69.0	77.4	85.7	99.6	
...	14.4	17.9	20.2	24.4	28.7	31.5	34.3	38.5	45.4	49.6	52.3	59.3	68.7	73.6	81.1	88.3	96.6	104.9	118.7	
...	22.5	29.9	34.3	37.1	44.2	53.8	58.9	66.4	73.7	82.0	90.3	104.2	
...	20.5	23.4	27.8	35.0	39.2	42.0	49.1	58.6	63.6	71.1	78.3	86.6	94.9	108.8	
...	15.4	20.0	24.4	27.2	30.0	34.3	41.3	45.5	48.3	55.2	64.7	69.6	77.1	84.3	92.6	100.9	114.7	
...	27.1	34.6	44.5	49.7	57.4	64.7	73.1	81.5	95.5	
...	25.1	29.6	32.5	39.8	49.5	54.6	62.2	69.5	77.9	86.2	100.1	
...	15.8	20.3	24.6	27.5	30.3	34.5	41.5	45.7	48.5	55.5	64.9	69.9	77.4	84.6	92.9	101.2	115.0	
...	23.0	30.4	34.7	37.6	44.7	54.3	59.4	66.9	74.2	82.5	90.9	104.7	
...	17.9	20.9	23.9	28.3	35.4	39.7	42.5	49.5	59.1	64.1	71.6	78.8	87.1	95.4	109.3	
...	24.6	35.1	45.0	50.1	57.8	65.2	73.6	82.0	96.0	
...	25.5	30.0	33.0	40.2	50.0	55.1	62.7	70.0	78.4	86.7	100.6	
...	
...	13.6	16.0	20.5	24.8	27.7	30.5	34.8	41.8	46.0	48.8	55.7	65.2	70.2	77.6	84.8	93.1	101.4	115.2	
...	18.1	21.1	24.1	28.5	35.7	39.9	42.8	49.8	59.3	64.3	71.8	79.1	87.4	95.7	109.5	
...	23.4	30.8	35.2	38.1	45.2	54.8	59.9	67.4	74.7	83.0	91.4	105.2	
...	28.0	35.5	45.4	50.6	58.3	65.7	74.1	82.5	96.5	
...	
...	13.7	16.2	20.6	24.6	27.8	30.6	34.9	41.9	46.1	48.9	55.9	65.3	70.3	77.8	85.0	93.3	101.6	115.4	
...	
...	13.8	16.3	20.7	25.1	27.9	30.8	35.0	42.0	46.2	49.0	56.0	65.4	70.4	77.9	85.1	93.4	101.7	115.5	
...	18.3	21.4	24.3	28.7	35.9	40.2	43.0	50.0	59.6	64.6	72.1	79.3	87.6	96.0	109.8	
...	26.0	30.5	33.4	40.7	50.4	55.5	63.2	70.5	78.9	87.2	101.1	
...	25.4	28.5	36.0	45.9	51.1	58.8	66.2	74.6	83.0	97.0
...	
...	23.9	31.3	35.7	38.5	45.7	55.3	60.4	67.9	75.2	83.5	91.9	105.7	
...	18.5	21.6	24.6	28.9	36.1	40.4	43.2	50.3	59.8	64.8	72.3	79.6	87.9	96.2	110.1	
...	26.4	30.9	33.9	41.2	50.9	56.0	63.6	70.9	79.3	87.7	101.6	
...	19.5	24.1	31.5	35.9	38.8	45.9	55.5	60.6	68.2	75.4	83.8	92.1	106.0	
...	18.8	21.8	24.8	29.2	36.4	40.6	43.5	50.5	60.1	65.1	72.6	79.8	88.2	96.5	110.3	
...	
...	25.8	28.9	36.4	46.4	51.6	59.3	66.6	75.1	83.5	97.5
...	
...	19.7	24.3	31.8	36.1	39.0	46.2	55.8	60.8	68.4	75.7	84.0	92.4	106.3	
...	19.0	22.0	25.0	29.4	36.6	40.9	43.7	50.8	60.3	65.3	72.9	80.1	88.4	96.7	110.6	
...	26.8	31.4	34.3	41.6	51.4	56.5	64.1	71.4	79.8	88.2	102.1	
...	26.2	29.3	36.9	46.8	52.0	59.7	67.1	75.6	84.0	98.0
...	
...	19.9	24.5	32.0	36.4	39.2	46.4	56.0	61.1	68.7	75.9	84.3	92.6	106.5	
...	19.1	22.1	25.1	29.5	36.7	41.0	43.8	50.9	60.4	65.5	73.0	80.2	88.5	96.9	110.7	
...	27.1	31.6	34.5	41.9	51.6	56.7	64.4	71.7	80.1	88.5	102.4	
...	19.2	22.2	25.2	29.6	36.8	41.1	44.0	51.0	60.6	65.6	73.1	80.3	88.7	97.0	110.8	
...	20.1	24.8	32.2	36.6	39.5	46.69	56.3	61.3	68.8	76.2	84.5	92.9	106.8	
...	27.3	31.8	34.8	42.1	51.9	57.0	64.6	71.9	80.3	88.7	102.7	
...	26.7	29.8	37.3	47.3	52.5	60.2	67.6	76.1	84.5	98.5
...	20.3	25.0	32.4	36.8	39.7	46.9	56.5	61.6	69.2	76.4	84.8	93.1	107.0	
...	27.5	32.0	35.0	42.3	52.1	57.2	64.9	72.2	80.6	89.0	102.9	
...	26.9	30.0	37.5	47.5	52.7	60.5	67.8	76.3	84.7	98.7
...	20.5	25.1	32.6	36.9	39.8	47.0	56.6	61.7	69.3	76.5	84.9	93.3	107.2	
...	20.6	25.2	32.7	37.0	39.9	47.1	56.7	61.8	69.4	76.7	85.0	93.4	107.3	
...	27.7	32.2	35.2	42.5	52.3	57.5	65.1	72.4	80.8	89.2	103.2	
...	27.1	30.2	37.8	47.8	53.0	60.7	68.1	76.5	85.0	99.0
...	27.3	30.4	38.0	48.0	53.2	60.9	68.3	76.8	85.2	99.2
...	27.9	32.5	35.5	42.8	52.6	57.7	65.3	72.7	81.1	89.5	103.4	
...	28.0	32.6	35.6	42.9	52.7	57.8	65.5	72.8	81.2	89.6	103.5	
...	27.5	30.7	38.2	48.2	53.4	61.2	68.6	77.0	85.5	99.5
...	28.2	32.7	35.7	43.0	52.8	57.9	65.6	72.9	81.3	89.7	103.7	
...	23.0	27.8	30.9	38.4	48.4	53.7	61.4	68.8	77.3	85.7	99.7	
...	23.1	27.9	31.0	38.6	48.6	53.8	61.5	68.9	77.4	85.8	99.8	
...	23.2	28.0	31.1	38.7	48.7	53.9	61.6	69.0	77.5	86.0	100.0	
.8		.9		.95		1.0			1.05			1.1						.9				

* These belts are not available in RPP construction.

HTS® 20 mm Drive Selection Tables



Drive Ratio	Sprocket Combination				Driven Speeds and Horsepower Ratings											
	Driver		Driven		Driven Speed*	1160 RPM Driver					1750 RPM Driver					
	No. Teeth	P.D.	No. Teeth	P.D.		RPP™ for Belt Widths					RPP™ for Belt Widths					
						115	170	230	290	340		115	170	230	290	340
Multiply hp rating by belt length factor to determine drive width →																
1.00	34	8.522	34	8.522	1160	245	380	1750	311	486
1.00	36	9.023	36	9.023	1160	257	400	1750	322	504
1.00	38	9.524	38	9.524	1160	269	418	584	1750	333	521	730
1.00	40	10.026	40	10.026	1160	281	437	610	1750	342	536	752
1.00	44	11.028	44	11.028	1160	303	472	659	1750	356	560	787
1.00	48	12.031	48	12.031	1160	323	504	705	902	...	1750	365	576	812	1042	...
1.00	52	13.033	52	13.033	1160	342	534	747	956	...	1750	368	583	824	1059	...
1.00	56	14.036	56	14.036	1160	359	561	785	1006	1190	1750	364	581	823	1059	1256
1.00	60	15.038	60	15.038	1160	373	585	820	1050	1242	1750
1.00	64	16.041	64	16.041	1160	386	605	849	1089	1288	1750
1.00	68	17.043	68	17.043	1160	396	622	874	1121	1327	1750
1.00	72	18.046	72	18.046	1160	404	636	894	1148	1359	1750
1.00	80	20.051	80	20.051	1160	411	651	918	1180	1398	1750
1.00	90	22.557	90	22.557	1160	1750
1.05	38	9.524	40	10.026	1102	269	418	584	1663	333	521	730
1.06	36	9.023	38	9.524	1099	257	400	1658	322	504
1.06	34	8.522	36	9.023	1096	245	380	1653	311	486
1.06	68	17.043	72	18.046	1096	396	622	874	1121	1327	1653
1.06	64	16.041	68	17.043	1092	286	605	849	1089	1288	1647
1.07	60	15.038	64	16.041	1088	373	585	820	1050	1242	1641
1.07	56	14.036	60	15.038	1083	359	561	785	1006	1190	1633	364	581	823	...	1256
1.08	52	13.033	56	14.036	1077	342	534	747	956	...	1625	368	583	824	1059	...
1.08	48	12.031	52	13.033	1071	323	504	705	902	...	1615	365	576	812	1059	...
1.09	44	11.028	48	12.031	1063	303	472	659	1604	356	560	787	1042	...
1.10	40	10.026	44	11.028	1055	281	437	610	1591	342	536	752
1.11	36	9.023	40	10.026	1044	257	400	1575	322	504
1.11	72	18.046	80	20.051	1044	404	636	894	1148	1359	1575
1.12	34	8.522	38	9.524	1038	245	380	1566	311	486
1.13	64	16.041	72	18.046	1031	386	605	849	1089	1288	1556
1.13	80	20.051	90	22.557	1031	411	651	918	1180	1398	1556
1.13	60	15.038	68	17.043	1024	373	585	820	1050	1242	1544
1.14	56	14.036	64	16.041	1015	359	561	785	1006	1190	1531	364	581	823	1059	1256
1.15	52	13.033	60	15.038	1005	342	534	747	956	...	1517	368	583	824	1059	...
1.16	38	9.524	44	11.028	1002	269	418	584	1511	333	521	730
1.17	48	12.031	56	14.036	994	323	504	705	902	...	1500	365	576	812	1042	...
1.18	34	8.522	40	10.026	986	245	380	1488	311	486
1.18	68	17.043	80	20.051	986	396	622	874	1121	1327	1488
1.18	44	11.028	52	13.033	982	303	472	659	1481	356	560	787
1.20	40	10.026	48	12.031	967	281	437	610	1458	342	536	752
1.20	60	15.038	72	18.046	967	373	585	820	1050	1242	1458
1.21	56	14.036	68	17.043	955	359	561	785	1006	1190	1441	364	581	823	1059	1256
1.22	36	9.023	44	11.028	949	257	400	1432	322	504
1.23	52	13.033	64	16.041	943	342	534	747	956	...	1422	368	583	824	1059	...
1.24	90	22.557	112	28.072	932	1406
1.25	48	12.031	60	15.038	928	323	504	705	902	...	1400	365	576	812	1042	...
1.25	64	16.041	80	20.051	928	386	605	849	1089	1288	1400
1.25	72	18.046	90	22.557	928	404	636	894	1148	1359	1400
1.26	38	9.524	48	12.031	918	269	418	584	1385	333	521	730
1.27	44	11.028	56	14.036	911	303	472	659	1375	356	560	787
1.29	56	14.036	72	18.046	902	359	561	785	1006	1190	1361	364	581	823	1059	1256
Multiply hp rating by belt length factor to determine drive width →																

* All 20M RPP drives operating above 1000 RPM may require a sound dampening belt guard to reduce noise emission.



HTS® 20 mm Drive Selection Tables

Drive Ratio	Sprocket Combination				Nominal Center Distance										
	Driver		Driven		Belt Length Code Designation										
	No. Teeth	P.D.	No. Teeth	P.D.	2000	2500	3400	3800	4200	4600	5000	5400	5800	6200	6600
BELT LENGTH FACTOR →					.8	.85	.95	1.0		1.05	.85		.9		
1.00	34	8.522	34	8.522	26.0	35.8	53.6	61.4	69.3	77.2	85.0	92.9	100.8	108.7	116.5
1.00	36	9.023	36	9.023	25.2	35.0	52.8	60.6	68.5	76.4	84.3	92.1	100.0	107.9	115.8
1.00	38	9.524	38	9.524	24.4	34.3	52.0	59.1	67.7	75.6	83.5	91.3	99.2	107.1	115.0
1.00	40	10.026	40	10.026	23.6	33.5	51.2	59.1	66.9	74.8	82.7	90.6	98.4	106.3	114.2
1.00	44	11.028	44	11.028	22.1	31.9	49.6	57.5	65.4	73.2	81.1	89.0	96.9	104.7	112.6
1.00	48	12.031	48	12.031	20.5	30.3	48.0	55.9	63.8	71.7	79.5	87.4	95.3	103.2	111.0
1.00	52	13.033	52	13.033	18.9	28.8	46.5	54.3	62.2	70.1	78.0	85.8	93.7	101.6	109.5
1.00	56	14.036	56	14.036	17.3	27.2	44.9	52.8	60.6	68.5	76.4	84.3	92.1	100.0	107.9
1.00	60	15.038	60	15.038	...	25.6	43.3	51.2	59.1	66.9	74.8	82.7	90.6	98.4	106.3
1.00	64	16.041	64	16.041	...	24.0	41.7	49.6	57.5	65.4	73.2	81.1	89.0	96.9	104.7
1.00	68	17.043	68	17.043	...	22.5	40.2	48.0	55.9	63.8	71.1	79.5	87.4	95.3	103.2
1.00	72	18.046	72	18.046	...	20.9	38.6	46.5	54.3	62.2	70.1	78.0	85.8	93.7	101.6
1.00	80	20.051	80	20.051	35.4	43.3	51.2	59.1	66.9	74.8	82.7	90.6	98.4
1.00	90	22.557	90	22.557	31.5	39.4	47.3	55.1	63.0	70.9	78.8	86.6	94.5
1.05	38	9.524	40	10.026	24.0	33.9	51.6	59.5	67.3	75.2	83.1	91.0	98.8	106.7	114.6
1.06	36	9.023	38	9.524	24.8	34.7	52.4	60.2	68.1	76.0	83.9	91.7	99.6	107.5	115.4
1.06	34	8.522	36	9.023	25.6	35.4	53.2	61.0	68.9	76.8	84.7	92.5	100.4	108.3	116.1
1.06	68	17.043	72	18.046	...	21.7	39.4	47.3	55.1	64.6	70.9	78.8	86.6	94.5	102.4
1.06	64	16.041	68	17.043	...	23.2	41.0	48.8	56.7	66.2	72.5	80.3	88.2	96.1	103.9
1.07	60	15.038	64	16.041	...	24.8	42.5	50.4	58.3	67.7	74.0	81.9	89.8	97.6	105.5
1.07	56	14.036	60	15.038	16.5	26.4	44.1	52.0	59.9	69.3	75.6	83.5	91.3	99.2	107.1
1.08	52	13.033	56	14.036	18.1	28.0	45.7	53.6	61.4	70.9	77.2	85.0	92.9	100.8	108.7
1.08	48	12.031	52	13.033	19.7	29.5	47.3	55.1	63.0	72.4	78.7	86.6	94.5	102.4	110.2
1.09	44	11.028	48	12.031	21.3	31.1	48.8	56.7	64.6	74.0	80.3	88.2	96.1	103.9	111.8
1.10	40	10.026	44	11.028	22.8	32.7	50.4	58.3	66.1	75.6	81.9	89.8	97.6	105.5	113.4
1.11	36	9.023	40	10.026	24.4	34.3	52.0	59.8	67.7	76.6	83.5	91.3	99.2	107.1	115.0
1.11	72	18.046	80	20.051	37.0	44.9	52.8	61.4	68.5	76.4	84.3	92.1	100.0
1.12	34	8.522	38	9.524	25.2	35.0	52.8	60.6	68.5	76.4	84.3	92.1	100.0	107.9	115.8
1.13	64	16.041	72	18.046	...	22.4	40.2	48.0	55.9	64.6	71.7	79.5	87.4	95.3	103.2
1.13	80	20.051	90	22.557	33.5	41.3	49.2	57.5	65.4	73.2	81.1	89.0	96.9
1.13	60	15.038	68	17.043	...	24.0	41.7	49.6	57.5	65.4	73.2	81.1	89.0	96.9	104.7
1.14	56	14.036	64	16.041	...	25.6	43.3	51.2	59.1	66.9	74.8	82.7	90.6	98.4	106.3
1.15	52	13.033	60	15.038	17.3	27.2	44.9	52.8	60.6	68.5	76.4	84.3	92.1	100.0	107.9
1.16	38	9.524	44	11.028	23.2	33.1	50.8	58.7	66.5	74.4	82.3	90.2	98.0	105.9	113.8
1.17	48	12.031	56	14.036	18.9	28.7	46.5	54.3	62.2	70.1	78.0	85.8	93.7	101.6	109.5
1.18	34	8.522	40	10.026	24.8	34.6	52.4	60.2	68.1	76.0	83.9	91.7	99.6	107.5	115.4
1.18	68	17.043	80	20.051	37.8	45.7	53.5	61.4	69.3	77.2	85.0	92.9	100.8
1.18	44	11.028	52	13.033	20.5	30.3	48.0	55.9	63.8	71.7	79.5	87.4	95.3	103.2	111.0
1.20	40	10.026	48	12.031	22.0	31.9	49.6	57.5	65.4	73.2	81.1	89.0	96.9	104.7	112.6
1.20	60	15.038	72	18.046	...	23.2	40.9	48.8	56.7	64.6	72.4	80.3	88.2	96.1	103.9
1.21	56	14.036	68	17.043	...	24.8	42.5	50.4	58.3	66.1	74.0	81.9	89.8	97.6	105.5
1.22	36	9.023	44	11.028	23.6	33.5	51.2	59.1	66.9	74.8	82.7	90.6	98.4	106.3	114.2
1.23	52	13.033	64	16.041	...	26.3	44.1	52.0	59.8	67.7	75.6	83.5	91.3	99.2	107.1
1.24	90	22.557	112	28.072	34.9	42.8	50.7	58.6	66.5	74.4	82.3	90.1
1.25	48	12.031	60	15.038	18.1	27.9	45.7	53.5	61.4	69.3	77.2	85.0	92.9	100.8	108.7
1.25	64	16.041	80	20.051	...	20.8	38.5	46.4	54.3	62.2	70.1	77.9	85.8	93.7	101.6
1.25	72	18.046	90	22.557	35.0	42.9	50.7	58.6	66.5	74.4	82.3	90.1	98.0
1.26	38	9.524	48	12.031	22.4	32.3	50.0	57.9	65.7	73.6	81.5	89.4	97.2	105.1	113.0
1.27	44	11.028	56	14.036	19.6	29.5	47.2	55.1	63.0	70.9	78.7	86.6	94.5	102.4	110.2
1.29	56	14.036	72	18.046	...	23.9	41.7	49.6	57.5	65.3	73.2	81.1	89.0	96.8	104.7
BELT LENGTH FACTOR →					.8	.85	.95	1.0		1.05	.85		.9		

HTS® 20 mm Drive Selection Tables



Drive Ratio	Sprocket Combination				Driven Speeds and Horsepower Ratings											
	Driver		Driven		Driven Speed*	1160 RPM Driver RPP™ for Belt Widths					1750 RPM Driver RPP™ for Belt Widths					
	No. Teeth	P.D.	No. Teeth	P.D.		115	170	230	290	340	115	170	230	290	340	
	Multiply hp rating by belt length factor to determine drive width →															
1.29	34	8.522	44	11.028	896	245	380	1352	311	486
1.30	40	10.026	52	13.033	892	281	437	610	1346	342	536	752
1.31	52	13.033	68	17.043	887	342	534	747	956	...	1338	368	583	824	1059	...
1.32	68	17.043	90	22.557	876	396	622	874	1121	1327	1322
1.33	36	9.023	48	12.031	870	257	400	1313	322	504
1.33	48	12.031	64	16.041	870	323	504	705	902	...	1313	365	576	812	1042	...
1.33	60	15.038	80	20.051	870	373	585	820	1050	1242	1313
1.36	44	11.028	60	15.038	851	303	472	659	1283	356	560	787
1.37	38	9.524	52	13.033	848	269	418	584	1279	333	521	730
1.38	52	13.033	72	18.046	838	342	534	747	956	...	1264	368	583	824	1059	...
1.40	40	10.026	56	14.036	829	281	437	610	1250	342	536	752
1.40	80	20.051	112	28.072	829	411	651	918	1180	1398	1250
1.41	64	16.041	90	22.557	825	386	605	849	1089	1288	1244
1.41	34	8.522	48	12.031	822	245	380	1240	311	486
1.42	48	12.031	68	17.043	819	323	504	705	902	...	1235	365	576	812	1042	...
1.43	56	14.036	80	20.051	812	359	561	785	1006	1190	1225	364	581	823	1059	1256
1.44	36	9.023	52	13.033	803	257	400	1212	322	504
1.45	44	11.028	64	16.041	798	303	472	659	1203	356	560	787
1.47	38	9.524	56	14.036	787	269	418	584	1188	333	521	730
1.50	40	10.026	60	15.038	773	281	437	610	1167	342	536	752
1.50	48	12.031	72	18.046	773	323	504	705	902	...	1167	365	576	812	1042	...
1.50	60	15.038	90	22.557	773	373	585	820	1050	1242	1167
1.53	34	8.522	52	13.033	758	245	380	1144	311	486
1.54	52	13.033	80	20.051	754	342	534	747	956	...	1138	368	583	824	1059	...
1.55	44	11.028	68	17.043	751	303	472	659	1132	356	560	787
1.56	36	9.023	56	14.036	746	257	400	1125	322	504
1.56	72	18.046	112	28.072	746	404	636	894	1148	1359	1125
1.58	38	9.524	60	15.038	735	269	418	584	1108	333	521	730
1.60	40	10.026	64	16.041	725	281	437	610	1094	342	536	752
1.60	90	22.557	144	36.092	725	1094
1.61	56	14.036	90	22.557	722	359	561	785	1006	1190	1089	364	581	823	1059	1256
1.64	44	11.028	72	18.046	709	303	472	659	1069	356	560	787
1.65	34	8.522	56	14.036	704	245	380	1063	311	486
1.65	68	17.043	112	28.072	704	396	622	874	1121	1327	1063
1.67	36	9.023	60	15.038	696	257	400	1050	322	504
1.67	48	12.031	80	20.051	696	323	504	705	902	...	1050	365	576	812	1042	...
1.68	38	9.524	64	16.041	689	269	418	584	1039	333	521	730
1.70	40	10.026	68	17.043	682	281	437	610	1029	342	536	752
1.73	52	13.033	90	22.557	670	342	534	747	956	...	1011	368	583	824	1059	...
1.75	64	16.041	112	28.072	663	386	605	849	1089	1288	1000
1.76	34	9.023	60	15.038	657	245	380	992	311	486
1.78	36	9.023	64	16.041	653	257	400	984	322	504
1.79	38	9.524	68	17.043	648	269	418	584	978	333	521	730
1.80	40	10.026	72	18.046	644	281	437	610	972	342	536	752
1.80	80	20.051	144	36.092	644	411	651	918	1180	1398	972
1.82	44	11.028	80	20.051	638	303	472	659	963	356	560	787
1.87	60	15.038	112	28.072	621	373	585	820	1050	1242	938
1.87	90	22.557	168	42.108	621	938
1.88	48	12.031	90	22.557	619	323	504	705	902	...	933	365	576	812	1042	...
1.88	34	8.522	64	16.041	616	245	380	930	311	486

Multiply hp rating by belt length factor to determine drive width →

* All 20M RPP drives operating above 1000 RPM may require a sound dampening belt guard to reduce noise emission.



HTS® 20 mm Drive Selection Tables

Drive	Sprocket Combination				Nominal Center Distance										
	Driver		Driven		Belt Length Code Designation										
	Ratio	No. Teeth	P.D.	No. Teeth	P.D.	2000	2500	3400	3800	4200	4600	5000	5400	5800	6200
BELT LENGTH FACTOR →					.8	.85	.95	1.0		1.05	.85		.9		
1.29	34	8.522	44	11.028	24.0	33.8	51.6	59.4	67.3	75.2	83.1	90.9	98.8	106.7	114.6
1.30	40	10.026	52	13.033	21.2	31.1	48.8	56.7	64.6	72.4	80.3	88.2	96.1	103.9	111.8
1.31	52	13.033	68	17.043	...	25.5	43.3	51.2	59.0	66.9	74.8	82.7	90.5	98.4	106.3
1.32	68	17.043	90	22.557	35.7	43.6	51.5	59.4	67.3	75.2	83.0	90.9	98.8
1.33	36	9.023	48	12.031	22.8	32.6	50.4	58.3	66.1	74.0	81.9	89.8	97.6	105.5	113.4
1.33	48	12.031	64	16.041	17.2	27.1	44.8	52.7	60.6	68.5	76.4	84.2	92.1	100.0	107.9
1.33	60	15.038	80	20.051	...	21.5	39.3	47.2	55.1	63.0	70.8	78.7	86.6	94.5	102.3
1.36	44	11.028	60	15.038	18.8	28.7	46.4	54.3	62.2	70.1	77.9	85.8	93.7	101.6	109.4
1.37	38	9.824	52	13.033	21.6	31.5	49.2	57.1	64.9	72.8	80.7	88.6	96.4	104.3	112.2
1.38	52	13.033	72	18.046	...	24.7	42.5	50.3	58.2	66.1	74.0	81.9	89.7	97.6	105.5
1.40	40	10.026	56	14.036	20.4	30.3	48.0	55.9	63.8	71.6	79.5	87.4	95.3	103.1	111.0
1.40	80	20.051	112	28.072	28.9	36.8	44.7	52.6	60.5	68.4	76.3	84.2	92.1
1.41	64	16.041	90	22.557	36.5	44.4	52.3	60.2	68.0	75.9	83.8	91.7	99.6
1.41	34	8.522	48	12.031	23.2	33.0	50.8	58.6	66.5	74.4	82.3	90.1	98.0	105.9	113.8
1.42	48	12.031	68	17.043	...	26.3	44.0	51.9	59.8	67.7	75.6	83.4	91.3	99.2	107.1
1.43	56	14.036	80	20.051	...	22.2	40.0	47.9	55.8	63.7	71.6	79.5	87.4	95.2	103.1
1.44	36	9.023	52	13.033	22.0	31.8	49.6	57.5	65.3	73.2	81.1	89.0	96.8	104.7	112.6
1.45	44	11.028	64	16.041	17.9	27.8	45.6	53.5	61.4	69.3	77.1	85.0	92.9	100.8	108.6
1.47	38	9.524	56	14.036	20.7	30.6	48.4	56.3	64.1	72.0	79.9	87.8	95.6	103.5	111.4
1.50	40	10.026	60	15.038	19.5	29.4	47.2	55.1	62.9	70.8	78.7	86.6	94.5	102.3	110.2
1.50	48	12.031	72	18.046	...	25.4	43.2	51.1	59.0	66.9	74.7	82.6	90.5	98.4	106.3
1.50	60	15.038	90	22.557	37.2	45.1	53.0	60.9	68.8	76.7	84.6	92.5	100.3
1.53	34	8.522	52	13.033	22.3	32.2	50.0	57.8	65.7	73.6	81.5	89.3	97.2	105.1	113.0
1.54	52	13.033	80	20.051	...	23.0	40.8	48.7	56.6	64.5	72.4	80.2	88.1	96.0	103.9
1.55	44	11.028	68	17.043	17.0	27.0	44.8	52.7	60.6	68.4	76.3	84.2	92.1	100.0	107.8
1.56	36	9.023	56	14.036	21.1	31.0	48.8	56.6	64.5	72.4	80.3	88.2	96.0	103.9	111.8
1.56	72	18.046	112	28.072	30.3	38.2	46.2	54.1	62.0	69.9	77.8	85.7	93.6
1.58	38	9.524	60	15.038	19.9	29.8	47.6	55.4	63.3	71.2	79.1	87.0	94.8	102.7	110.6
1.60	40	10.026	64	16.041	18.6	28.6	46.4	54.3	62.1	70.0	77.9	85.8	93.7	101.5	109.4
1.60	90	22.557	144	36.092	36.0	44.0	51.9	59.8	67.8	75.7	83.6
1.61	56	14.036	90	22.557	37.9	45.9	53.8	61.7	69.6	77.4	85.3	93.2	101.1
1.64	44	11.028	72	18.046	...	26.1	44.0	51.9	59.7	67.6	75.5	83.4	91.3	99.2	107.0
1.65	34	8.522	56	14.036	21.5	31.4	49.1	57.0	64.9	72.8	80.7	88.5	96.4	104.3	112.2
1.65	68	17.043	112	28.072	31.0	39.0	46.9	54.8	62.7	70.7	78.5	86.4	94.3
1.67	36	9.023	60	15.038	20.2	30.2	47.9	55.8	63.7	71.6	79.5	87.4	95.2	103.1	111.0
1.67	48	12.031	80	20.051	...	23.7	41.5	49.4	57.3	65.2	73.1	81.0	88.9	96.8	104.7
1.68	38	9.524	64	16.401	19.0	28.9	46.7	54.6	62.5	70.4	78.3	86.2	94.0	101.9	109.8
1.70	40	10.026	68	17.043	17.8	27.7	45.5	53.4	61.3	69.2	77.1	85.0	92.9	100.7	108.6
1.73	52	13.033	90	22.557	...	20.7	38.7	46.6	54.5	62.4	70.3	78.2	86.1	94.0	101.9
1.75	64	16.041	112	2.072	31.7	39.7	47.6	55.6	63.5	71.4	79.3	87.2	95.1
1.76	34	9.023	60	15.038	20.6	30.5	48.3	56.2	64.1	72.0	79.9	87.7	95.6	103.5	111.4
1.78	36	9.023	64	16.041	19.4	29.3	47.1	55.0	62.9	70.8	78.7	86.5	94.4	102.3	110.2
1.79	38	9.524	68	17.043	18.1	28.1	45.9	53.8	61.7	69.6	77.5	85.4	93.2	101.1	109.0
1.80	40	10.026	72	18.046	16.8	26.9	44.7	52.6	60.5	68.4	76.3	84.2	92.0	99.9	107.8
1.80	80	20.051	144	36.092	37.7	45.7	53.7	61.7	69.6	77.5	85.4
1.82	44	11.028	80	20.051	...	24.4	42.3	50.2	58.1	66.0	73.9	81.8	89.7	97.5	105.4
1.87	60	15.038	112	28.072	32.4	40.4	48.4	56.3	64.2	72.1	80.0	87.9	95.8
1.87	90	22.557	168	42.108	38.5	46.6	54.6	62.6	70.6	78.5
1.88	48	12.031	90	22.557	...	21.4	39.4	47.3	55.3	63.2	71.1	79.0	86.8	94.7	102.6
1.88	34	8.522	64	16.041	19.7	29.7	47.5	55.4	63.3	71.2	79.0	86.9	94.8	102.7	110.6
BELT LENGTH FACTOR →					.8	.85	.95	1.0		1.05	.85		.9		

PULLEYS

HTS® 20 mm Drive Selection Tables



Drive Ratio	Sprocket Combination				Driven Speeds and Horsepower Ratings											
	Driver		Driven		Driven Speed*	1160 RPM Driver					1750 RPM Driver					
	No. Teeth	P.D.	No. Teeth	P.D.		RPP™ for Belt Widths					RPP™ for Belt Widths					
						115	170	230	290	340	115	170	230	290	340	
Multiply hp rating by belt length factor to determine drive width →																
1.89	36	9.023	68	17.043	614	257	400	926	322	504
1.89	38	9.524	72	18.046	612	269	418	584	924	333	521	730
2.00	34	8.522	68	17.043	580	245	380	875	311	486
2.00	36	9.023	72	18.046	580	257	400	875	322	504
2.00	40	10.026	80	20.051	580	281	437	610	875	342	536	752
2.00	56	14.036	112	28.072	580	359	561	785	1006	1190	875	364	581	823	1059	1256
2.00	72	18.046	144	36.092	580	404	636	894	1148	1359	875
2.05	44	11.028	90	22.557	567	303	472	659	856	356	560	787
2.10	80	20.051	168	42.108	552	411	651	918	1180	1398	833
2.11	38	9.524	80	20.051	551	269	418	584	831	333	521	730
2.12	34	8.522	72	18.046	548	245	380	826	311	486
2.12	68	17.043	144	36.092	548	396	622	874	1121	1327	826
2.13	90	22.557	192	48.123	544	820
2.15	52	13.033	112	28.072	539	342	534	747	956	...	813	368	583	824
2.22	36	9.023	80	20.051	522	257	400	788	322	504	...	1059	...
2.25	40	10.026	90	22.557	516	281	437	610	778	342	536	752
2.25	64	16.041	144	36.092	516	386	605	849	1089	1288	778
2.33	48	12.031	112	28.072	497	323	504	705	902	...	750	365	576	812
2.33	72	18.046	168	42.108	497	404	636	894	1148	1359	750	1042	...
2.35	34	8.522	80	20.051	493	245	380	744	311	486
2.37	38	9.524	90	22.557	490	269	418	584	739	333	521	730
2.40	60	15.038	144	36.092	483	373	585	820	1050	1242	729
2.40	80	20.051	192	48.123	483	411	651	918	1180	1398	729
2.40	90	22.557	216	54.139	483	729
2.47	68	17.043	168	42.108	470	396	622	874	1121	1327	708
2.50	36	9.023	90	22.557	464	257	400	700	322	504
2.55	44	11.028	112	28.072	456	303	472	659	688	356	560	787
2.57	56	14.036	144	36.092	451	359	561	785	1006	1190	681	364	581	823	1059	1256
2.63	64	16.041	168	42.108	442	386	605	849	1089	1288	667
2.65	34	8.522	90	22.557	438	245	380	661	311	486
2.67	72	18.046	192	48.123	435	404	636	894	1148	1359	656
2.70	80	20.051	216	54.139	430	411	651	918	1180	1398	648
2.77	52	13.033	144	36.092	419	342	534	747	956	...	632	368	583	824	1059	...
2.80	40	10.026	112	28.072	414	281	437	610	625	342	536	752
2.80	60	15.038	168	42.108	414	373	585	820	1050	1242	625
2.82	68	17.043	192	48.123	411	396	622	874	1121	1327	620
2.95	38	9.524	112	28.072	394	269	418	584	594	333	521	730
3.00	48	12.031	144	36.092	387	323	504	705	902	...	583	365	576	812	1042	...
3.00	56	14.036	168	42.108	387	359	561	785	1006	1190	583	364	581	823	1059	1256
3.00	64	16.041	192	48.123	387	386	605	849	1089	1288	583
3.00	72	18.046	216	54.139	387	404	636	894	1148	1359	583
3.11	36	9.023	112	28.072	373	257	400	563	322	504
3.18	68	17.043	216	54.139	365	396	622	874	1121	1327	551
3.20	60	15.038	192	48.123	363	373	585	820	1050	1242	547
3.23	52	13.033	168	42.108	359	342	534	747	956	...	542	368	583	824	1059	...
3.27	44	11.028	144	36.092	354	303	472	659	535	356	560	787
3.29	34	8.522	112	28.072	352	245	380	531	311	486
3.38	64	16.041	216	54.139	344	386	605	849	1089	1288	519
3.43	56	14.036	192	48.123	338	359	561	785	1006	1190	510	364	581	823	1059	1256
3.50	48	12.031	168	42.108	331	323	504	705	902	...	500	365	576	812	1042	...
Multiply hp rating by belt length factor to determine drive width →																

* All 20M RPP drives operating above 1000 RPM may require a sound dampening belt guard to reduce noise emission.

PULLEYS



HTS® 20 mm Drive Selection Tables

Drive Ratio	Sprocket Combination				Nominal Center Distance										
	Driver		Driven		Belt Length Code Designation										
	No. Teeth	P.D.	No. Teeth	P.D.	2000	2500	3400	3800	4200	4600	5000	5400	5800	6200	6600
BELT LENGTH FACTOR →					.8	.85	.95	1.0	1.05	.85	.9				
1.89	36	9.023	68	17.043	18.4	28.4	46.3	54.2	62.1	70.0	77.9	85.7	93.6	101.5	109.4
1.89	38	9.524	72	18.046	17.2	27.2	45.1	53.0	60.9	68.8	76.7	84.5	92.4	100.3	108.2
2.00	34	8.522	68	17.043	18.8	28.8	46.6	54.6	62.5	70.3	78.2	86.1	94.0	101.9	109.8
2.00	36	9.023	72	18.046	17.5	27.6	45.4	53.3	61.2	69.1	77.0	84.9	92.8	100.7	108.6
2.00	40	10.026	80	20.051	...	25.1	43.0	50.9	58.8	66.7	74.6	82.5	90.4	98.3	106.2
2.00	56	14.036	112	28.072	33.1	41.1	49.1	57.0	65.0	72.9	80.8	88.7	96.6
2.00	72	18.046	144	36.092	30.9	39.1	47.1	55.1	63.1	71.1	79.0	86.9
2.05	44	11.028	90	22.557	...	22.1	40.1	48.1	56.0	63.9	71.8	79.7	87.6	95.5	103.4
2.10	80	20.051	168	42.108	40.2	48.3	56.4	64.4	72.3	80.3
2.11	38	9.524	80	20.051	...	25.4	43.4	51.3	59.2	67.1	75.0	82.9	90.8	98.7	106.6
2.12	34	8.522	72	18.046	17.8	27.9	45.8	53.7	61.6	69.5	77.4	85.3	93.2	101.1	109.0
2.12	68	17.043	144	36.092	31.6	39.8	47.8	55.8	63.8	71.8	79.7	87.6
2.13	90	22.557	192	48.123	40.9	49.1	57.2	65.2	73.2
2.15	52	13.033	112	28.072	33.8	41.8	49.8	57.8	65.7	73.6	81.5	89.4	97.3
2.22	36	9.023	80	20.051	...	25.8	43.7	51.7	59.6	67.5	75.4	83.3	91.2	99.1	106.9
2.25	40	10.026	90	22.557	...	22.7	40.8	48.8	56.7	64.6	72.6	80.5	88.4	96.2	104.1
2.25	64	16.041	144	36.092	32.3	40.4	48.5	56.5	64.5	72.5	80.4	88.4
2.33	48	12.031	112	28.072	34.5	42.5	50.5	58.5	66.4	74.4	82.3	90.2	98.1
2.33	72	18.046	168	42.108	33.2	41.5	49.7	57.7	65.8	73.8	81.7
2.35	34	8.522	80	20.051	...	26.1	44.1	52.0	59.9	67.9	75.8	83.7	91.5	99.4	107.3
2.37	38	9.524	90	18.046	...	23.1	41.2	49.2	57.1	65.0	72.9	80.8	88.7	96.6	104.5
2.40	60	15.038	144	36.092	32.9	41.1	49.2	57.3	65.2	73.2	81.2	89.1
2.40	80	20.051	192	48.123	42.5	50.7	58.9	67.0	75.0
2.40	90	22.557	216	28.072	43.1	51.4	59.6	67.8
2.47	68	17.043	168	20.051	33.9	42.2	50.3	58.4	66.5	74.5	82.5
2.50	36	9.023	90	22.557	...	23.4	41.5	49.5	57.5	65.4	73.3	81.2	89.1	97.0	104.9
2.55	44	11.028	112	36.092	35.1	43.2	51.2	59.2	67.1	75.1	83.0	90.9	98.8
2.57	56	14.036	144	28.072	33.6	41.8	49.9	58.0	66.0	73.9	81.9	89.8
2.63	64	16.041	168	42.108	34.5	42.9	51.0	59.1	67.2	75.2	83.2
2.65	34	8.522	90	20.051	...	23.7	41.9	49.9	57.8	65.7	73.7	81.6	89.5	97.4	105.3
2.67	72	18.046	192	22.557	35.4	43.8	52.1	60.3	68.3	76.4
2.70	80	20.051	216	36.092	44.8	53.1	61.3	69.5
2.77	52	13.033	144	28.072	34.2	42.5	50.6	58.7	66.7	74.7	82.6	90.6
2.80	40	10.026	112	42.108	35.8	43.9	51.9	59.9	67.9	75.8	83.7	91.7	99.6
2.80	60	15.038	168	20.051	35.2	43.5	51.7	59.8	67.9	75.9	83.9
2.82	68	17.043	192	22.557	36.1	44.5	52.8	60.9	69.0	77.1
2.95	38	9.524	112	36.092	36.2	44.3	52.3	60.3	68.2	76.2	84.1	92.0	99.9
3.00	48	12.031	144	48.123	26.4	34.9	43.1	51.3	59.3	67.4	75.4	83.3	91.3
3.00	56	14.036	168	54.139	35.8	44.2	52.4	60.5	68.6	76.6	84.6
3.00	64	16.041	192	42.108	36.7	45.1	53.4	61.6	69.7	77.8
3.00	72	18.046	216	22.557	46.1	54.4	62.7	70.8
3.11	36	9.023	112	28.072	36.5	44.6	52.6	60.6	68.6	76.5	84.5	92.4	100.3
3.18	68	17.043	216	36.092	38.1	46.7	55.1	63.3	71.5
3.20	60	15.038	192	42.108	37.3	45.8	54.1	62.3	70.4	78.5
3.23	52	13.033	168	22.557	36.5	44.8	53.1	61.2	69.3	77.3	85.3
3.27	44	11.028	144	48.123	27.1	35.6	43.8	52.0	60.0	68.1	76.1	84.1	92.0
3.29	34	8.522	112	54.139	36.8	44.9	53.0	61.0	69.0	76.9	84.8	92.8	100.7
3.38	64	16.041	216	36.092	38.8	47.3	55.7	64.0	72.2
3.43	56	14.036	192	28.072	38.0	46.4	54.8	63.0	71.1	79.2
3.50	48	12.031	168	42.108	37.1	45.5	53.7	61.9	70.0	78.0	86.0
BELT LENGTH FACTOR →					.8	.85	.95	1.0	1.05	.85	.9				

PULLEYS

HTS® 20 mm Drive Selection Tables



Drive Ratio	Sprocket Combination				Driven Speeds and Horsepower Ratings											
	Driver		Driven		Driven Speed*	1160 RPM Driver					1750 RPM Driver					
	No. Teeth	P.D.	No. Teeth	P.D.		RPP™ for Belt Widths					RPP™ for Belt Widths					
						115	170	230	290	340	115	170	230	290	340	
Multiply hp rating by belt length factor to determine drive width →																
3.60	40	10.026	144	36.092	322	281	437	610	486	342	536	752
3.60	60	15.038	216	54.139	322	373	585	820	1050	1242	486
3.69	52	13.033	192	48.123	314	342	534	747	956	...	474	368	583	824	1059	...
3.79	38	9.524	144	36.092	306	269	418	584	462	333	521	730
3.82	44	11.028	168	42.108	304	303	472	659	458	356	560	787
3.86	56	14.036	216	54.139	301	359	561	785	1006	1190	454	364	581	823	1059	1256
4.00	36	9.023	144	36.092	290	257	400	438	322	504
4.00	48	12.031	192	48.123	290	323	504	705	902	...	438	365	576	812	1042	...
4.15	52	13.033	216	54.139	279	342	534	747	956	...	421	368	583	824	1059	...
4.20	40	10.026	168	42.108	276	281	437	610	417	342	536	752
4.24	34	8.522	144	36.092	274	245	380	413	311	486
4.36	44	11.028	192	48.123	266	303	472	659	401	356	560	787
4.42	38	9.524	168	42.108	262	269	418	584	396	333	521	730
4.50	48	12.031	216	54.139	258	323	504	705	902	...	389	365	576	812	1042	...
4.67	36	9.023	168	42.108	249	257	400	375	322	504
4.80	40	10.026	192	48.123	242	281	437	610	365	342	536	752
4.91	44	11.028	216	54.139	236	303	472	659	356	356	560	787
4.94	34	8.522	168	42.108	235	245	380	354	311	486
5.05	38	9.524	192	48.123	230	269	418	584	346	333	521	730
5.33	36	9.023	192	48.123	218	257	400	328	322	504
5.40	40	10.026	216	54.139	215	281	437	610	324	342	536	752
5.65	34	8.522	192	48.123	205	245	380	310	311	486
5.68	38	9.524	216	54.139	204	269	418	584	308	333	521	730
6.00	36	9.023	216	54.139	193	257	400	292	322	504
6.35	34	8.522	216	54.139	183	245	380	275	311	486
Multiply hp rating by belt length factor to determine drive width →																

* All 20M RPP drives operating above 1000 RPM may require a sound dampening belt guard to reduce noise emission.



HTS® 20 mm Drive Selection Tables

Drive Ratio	Sprocket Combination				Nominal Center Distance										
	Driver		Driven		Belt Length Code Designation										
	No. Teeth	P.D.	No. Teeth	P.D.	2000	2500	3400	3800	4200	4600	5000	5400	5800	6200	6600
BELT LENGTH FACTOR →					.8	.85	.95	1.0	1.05	.85		.9			
3.60	40	10.026	144	36.092	27.7	36.2	44.5	52.6	60.7	68.8	76.8	84.8	92.7
3.60	60	15.038	216	54.139	39.4	48.0	56.4	64.7	72.9
3.69	52	13.033	192	48.123	38.6	47.1	55.4	63.6	71.8	79.9
3.79	38	9.524	144	36.092	28.0	36.5	44.8	53.0	61.1	69.1	77.1	85.1	93.1
3.82	44	11.028	168	42.108	29.1	37.8	46.1	54.4	62.6	70.6	78.7	86.7
3.86	56	14.036	216	54.139	40.0	48.6	57.0	65.3	73.5
4.00	36	9.023	144	36.092	28.3	36.9	45.1	53.3	61.4	69.5	77.5	85.5	93.4
4.00	48	12.031	192	48.123	39.2	47.7	56.1	64.3	72.5	80.6
4.15	52	13.033	216	54.139	40.7	49.3	57.7	66.0	74.2
4.20	40	10.026	168	42.108	29.7	38.4	46.8	55.1	63.2	71.3	79.4	87.4
4.24	34	8.522	144	36.092	28.7	37.2	45.5	53.7	61.8	69.8	77.8	85.8	93.8
4.36	44	11.028	192	48.123	39.9	48.4	56.7	65.0	73.1	81.2
4.42	38	9.524	168	42.108	30.1	38.7	47.1	55.4	63.6	71.7	79.7	87.8
4.50	48	12.031	216	54.139	41.3	49.9	58.3	66.7	74.9
4.67	36	9.023	168	42.108	30.4	39.0	47.5	55.7	63.9	72.0	80.1	88.1
4.80	40	10.026	192	48.123	31.7	40.5	49.0	57.4	65.6	73.8	81.9
4.91	44	11.028	216	54.139	41.9	50.6	59.0	67.3	75.6
4.94	34	8.522	168	4.108	30.7	39.4	47.8	56.1	64.2	72.4	80.4	88.5
5.05	38	9.524	192	48.123	32.0	40.8	49.4	57.7	66.0	74.2	82.3
5.33	36	9.023	192	48.123	32.3	41.1	49.7	58.0	66.3	74.5	82.6
5.40	40	10.026	216	54.139	42.5	51.2	59.6	68.0	76.2
5.65	34	8.522	192	48.123	32.6	41.4	50.0	58.4	66.6	74.8	83.0
5.68	38	9.524	216	54.139	33.9	42.9	51.5	60.0	68.3	76.6
6.00	36	9.023	216	54.139	34.2	43.2	51.8	60.3	68.6	76.9
6.35	34	8.522	216	54.139	34.5	43.5	52.1	60.6	69.0	77.2
BELT LENGTH FACTOR →					.8	.85	.95	1.0	1.05	.85		.9			

5 mm RPP® Belt Horsepower Ratings



The following tables represent the horsepower ratings for each belt at the pre-determined No. of Teeth, Pitch Diameters and rpm's. These ratings must be multiplied by the applicable belt length factor to obtain corrected HP rating.

		15mm (.59 in.) wide belt (5M-15)																		
No. of Teeth		14	16	18	20	24	28	32	34	36	38	40	44	48	52	56	60	64	68	72
	PD mm in.	22.30 .878	25.48 1.003	28.65 1.128	31.84 1.253	38.21 1.504	44.58 1.755	50.93 2.005	54.11 2.130	57.30 2.256	60.48 2.381	63.66 2.506	70.03 2.757	76.39 3.008	82.76 3.258	89.13 3.509	95.49 3.760	101.86 4.010	108.23 4.261	114.59 4.511
Smallest Sprocket RPM	1160	0.47	0.55	0.63	0.72	0.89	1.07	1.26	1.35	1.45	1.54	1.64	1.84	2.04	2.25	2.45	2.66	2.88	3.09	3.31
	1460	0.55	0.64	0.74	0.84	1.05	1.26	1.48	1.59	1.70	1.81	1.93	2.16	2.39	2.63	2.87	3.11	3.36	3.61	3.86
	1750	0.62	0.73	0.84	0.95	1.19	1.43	1.67	1.80	1.92	2.05	2.18	2.44	2.70	2.97	3.24	3.52	3.79	4.07	4.35
	2900	0.88	1.04	1.19	1.35	1.68	2.01	2.35	2.53	2.70	2.87	3.05	3.40	3.76	4.11	4.47	4.82	5.18	5.53	5.87
	3500	1.01	1.18	1.36	1.54	1.90	2.28	2.66	2.85	3.04	3.24	3.43	3.82	4.20	4.58	4.96	5.34	5.70	6.06	6.42
	10	0.01	0.01	0.01	0.01	0.01	0.02	0.02	0.02	0.02	0.02	0.03	0.03	0.03	0.03	0.04	0.04	0.04	0.05	0.05
	20	0.01	0.02	0.02	0.02	0.03	0.03	0.04	0.04	0.04	0.05	0.05	0.06	0.06	0.07	0.07	0.08	0.09	0.09	0.10
	40	0.03	0.03	0.04	0.04	0.05	0.06	0.08	0.08	0.09	0.09	0.10	0.11	0.13	0.14	0.15	0.16	0.17	0.18	0.19
	60	0.04	0.05	0.06	0.06	0.08	0.10	0.11	0.12	0.13	0.14	0.15	0.17	0.19	0.21	0.22	0.24	0.26	0.27	0.29
	100	0.08	0.10	0.11	0.13	0.13	0.16	0.19	0.20	0.22	0.23	0.25	0.28	0.32	0.35	0.37	0.40	0.43	0.45	0.48
	200	0.14	0.16	0.18	0.21	0.26	0.31	0.37	0.40	0.42	0.45	0.48	0.54	0.60	0.66	0.72	0.78	0.85	0.91	0.96
	300	0.18	0.21	0.25	0.28	0.35	0.42	0.49	0.53	0.56	0.60	0.64	0.72	0.80	0.88	0.96	1.04	1.12	1.21	1.29
400	0.22	0.26	0.30	0.34	0.42	0.51	0.60	0.64	0.69	0.74	0.78	0.88	0.97	1.07	1.17	1.27	1.37	1.48	1.58	
500	0.26	0.30	0.35	0.40	0.50	0.60	0.70	0.75	0.81	0.86	0.91	1.02	1.14	1.25	1.37	1.49	1.61	1.73	1.85	
600	0.29	0.35	0.40	0.45	0.56	0.68	0.79	0.85	0.91	0.98	1.04	1.16	1.29	1.42	1.55	1.69	1.82	1.96	2.10	
800	0.36	0.42	0.49	0.55	0.69	0.83	0.97	1.04	1.12	1.19	1.27	1.42	1.58	1.74	1.90	2.06	2.23	2.39	2.56	
1000	0.42	0.49	0.57	0.65	0.80	0.97	1.13	1.22	1.31	1.39	1.48	1.66	1.84	2.03	2.21	2.40	2.60	2.79	2.99	
1600	0.58	0.69	0.79	0.90	1.11	1.34	1.57	1.69	1.81	1.93	2.05	2.30	2.55	2.80	3.05	3.31	3.57	3.84	4.10	
2000	0.68	0.80	0.92	1.05	1.30	1.56	1.83	1.97	2.11	2.25	2.39	2.67	2.96	3.25	3.54	3.84	4.13	4.43	4.73	
2500	0.80	0.94	1.08	1.22	1.52	1.82	2.13	2.29	2.45	2.61	2.77	3.09	3.42	3.75	4.08	4.42	4.75	5.08	5.41	
4000	1.10	1.29	1.48	1.68	2.08	2.48	2.89	3.10	3.30	3.51	3.71	4.12	4.52	4.91	5.30	5.68	6.04	6.39	6.73	
6000	1.45	1.69	1.93	2.18	2.67	3.15	3.62	3.85	4.08	4.29	4.51	4.90	5.27	5.59	5.88	6.11	6.28	
8000	1.74	2.01	2.29	2.56	3.09	3.58	4.02	4.22	4.40	4.57	4.71	4.93	5.06	
10000	1.97	2.27	2.56	2.83	3.33	3.74	4.04	4.14	4.20	4.22	
12000	2.16	2.46	2.73	2.98	3.37	3.59	3.61	
		25mm (.98 in.) wide belt (5M-25)																		
Smallest Sprocket RPM	1160	0.84	0.99	1.14	1.29	1.61	1.93	2.27	2.44	2.61	2.79	2.96	3.32	3.68	4.05	4.42	4.80	5.18	5.57	5.96
	1460	0.99	1.16	1.34	1.52	1.89	2.27	2.66	2.86	3.06	3.27	3.47	3.89	4.31	4.74	5.18	5.62	6.06	6.51	6.96
	1750	1.12	1.32	1.52	1.72	2.14	2.57	3.01	3.24	3.47	3.70	3.93	4.40	4.88	5.36	5.85	6.34	6.83	7.33	7.84
	2900	1.59	1.87	2.15	2.44	3.03	3.63	4.24	4.55	4.87	5.18	5.50	6.14	6.78	7.42	8.06	8.70	9.33	9.97	10.59
	3500	1.82	2.13	2.45	2.77	3.43	4.11	4.80	5.14	5.49	5.84	6.19	6.88	7.58	8.27	8.95	9.62	10.29	10.94	11.57
	10	0.01	0.02	0.02	0.02	0.02	0.03	0.03	0.04	0.04	0.04	0.05	0.05	0.06	0.06	0.07	0.07	0.08	0.08	0.09
	20	0.03	0.03	0.03	0.04	0.05	0.06	0.07	0.07	0.08	0.08	0.09	0.10	0.11	0.13	0.14	0.14	0.15	0.16	0.17
	40	0.05	0.06	0.07	0.08	0.10	0.12	0.14	0.15	0.16	0.17	0.18	0.20	0.23	0.25	0.27	0.29	0.31	0.33	0.35
	60	0.08	0.09	0.10	0.12	0.14	0.17	0.20	0.22	0.24	0.25	0.27	0.31	0.34	0.38	0.41	0.43	0.46	0.49	0.52
	100	0.15	0.18	0.20	0.23	0.24	0.29	0.34	0.37	0.39	0.42	0.45	0.51	0.57	0.63	0.68	0.72	0.77	0.82	0.87
	200	0.25	0.29	0.33	0.38	0.47	0.57	0.66	0.71	0.76	0.82	0.87	0.97	1.08	1.19	1.30	1.41	1.53	1.64	1.74
	300	0.33	0.38	0.44	0.50	0.62	0.75	0.88	0.95	1.02	1.08	1.15	1.29	1.43	1.58	1.73	1.87	2.03	2.18	2.33
400	0.40	0.47	0.54	0.61	0.76	0.92	1.08	1.16	1.24	1.33	1.41	1.58	1.75	1.93	2.11	2.29	2.48	2.66	2.85	
500	0.47	0.55	0.63	0.72	0.89	1.07	1.26	1.36	1.45	1.55	1.65	1.85	2.05	2.26	2.47	2.68	2.89	3.11	3.33	
600	0.53	0.62	0.72	0.81	1.01	1.22	1.43	1.54	1.65	1.76	1.87	2.10	2.33	2.56	2.80	3.04	3.29	3.53	3.78	
800	0.65	0.76	0.88	1.00	1.24	1.49	1.75	1.88	2.02	2.15	2.29	2.56	2.85	3.13	3.42	3.72	4.01	4.31	4.62	
1000	0.76	0.89	1.03	1.16	1.45	1.74	2.05	2.20	2.36	2.51	2.67	2.99	3.32	3.66	3.99	4.34	4.68	5.03	5.39	
1600	1.05	1.24	1.42	1.62	2.01	2.42	2.83	3.05	3.26	3.48	3.70	4.14	4.59	5.04	5.51	5.97	6.44	6.92	7.39	
2000	1.23	1.45	1.66	1.89	2.35	2.82	3.30	3.55	3.80	4.05	4.30	4.81	5.33	5.86	6.39	6.92	7.45	7.99	8.53	
2500	1.44	1.69	1.94	2.20	2.73	3.28	3.84	4.13	4.41	4.70	4.99	5.58	6.17	6.77	7.36	7.96	8.56	9.16	9.76	
4000	1.99	2.33	2.68	3.03	3.75	4.48	5.21	5.58	5.95	6.32	6.69	7.42	8.15	8.86	9.56	10.23	10.89	11.52	12.13	
6000	2.61	3.04	3.48	3.93	4.81	5.68	6.53	6.95	7.35	7.74	8.12	8.84	9.50	10.09	10.59	11.01	11.33	
8000	3.13	3.63	4.13	4.62	5.57	6.46	7.25	7.61	7.94	8.23	8.49	8.89	9.12	
10000	3.56	4.10	4.62	5.11	6.01	6.74	7.28	7.46	7.57	7.61	
12000	3.89	4.43	4.93	5.38	6.08	6.48	6.50	

Drives falling within the shaded area may be considered noisy and require a sound dampening guard to reduce noise emission.



8 mm RPP® Belt Horsepower Ratings

The following tables represent the horsepower ratings for each belt at the pre-determined No. of Teeth, Pitch Diameters and rpm's. These ratings must be multiplied by the applicable belt length factor to obtain corrected HP rating.

		20mm (.79 in.) wide belt (8M-20)																
No. of Teeth	PD	22	24	26	28	30	32	34	36	38	40	44	48	56	64	72	80	
		mm in.	56.02 2.206	61.12 2.406	66.21 2.607	71.30 2.807	76.39 3.008	81.49 3.208	86.58 3.409	91.67 3.609	96.77 3.810	101.86 4.010	112.05 4.411	122.23 4.812	142.60 5.614	162.97 6.416	183.35 7.218	203.72 8.020
Smallest Sprocket RPM	1160	2.65	2.89	3.13	3.73	4.07	4.68	5.35	6.87	7.22	7.56	8.25	8.92	10.23	11.48	12.67	13.80	
	1460	3.33	3.63	3.93	4.69	5.10	5.74	6.55	8.41	8.83	9.26	10.09	10.90	12.48	13.98	15.40	16.74	
	1750	3.99	4.35	4.71	5.61	6.10	6.72	7.67	9.85	10.34	10.84	11.80	12.75	14.56	16.28	17.89	19.39	
	2900	6.57	7.15	7.73	9.22	10.01	10.81	11.82	13.19	13.81	14.43	15.62	16.75	18.85	20.70	22.29	23.59	
	3500	7.89	8.59	9.28	11.05	11.99	12.94	13.91	15.50	16.22	16.92	18.25	19.51	21.78	23.67	
	10	0.02	0.03	0.03	0.04	0.04	0.05	0.06	0.06	0.07	0.08	0.09	0.09	0.11	0.12	0.14	0.16	
	20	0.05	0.05	0.06	0.07	0.09	0.10	0.11	0.13	0.15	0.16	0.17	0.19	0.22	0.25	0.28	0.31	
	40	0.09	0.10	0.12	0.15	0.17	0.20	0.23	0.26	0.30	0.31	0.34	0.37	0.44	0.50	0.56	0.62	
	60	0.14	0.15	0.19	0.22	0.26	0.30	0.34	0.39	0.44	0.47	0.51	0.56	0.65	0.75	0.84	0.94	
	100	0.23	0.26	0.31	0.37	0.43	0.50	0.57	0.64	0.74	0.78	0.86	0.94	1.09	1.25	1.40	1.56	
	200	0.46	0.51	0.61	0.72	0.84	0.97	1.10	1.29	1.48	1.56	1.71	1.86	2.14	2.41	2.67	2.93	
	300	0.69	0.75	0.88	1.04	1.21	1.39	1.59	1.93	2.15	2.26	2.47	2.68	3.08	3.47	3.85	4.21	
	400	0.91	1.00	1.14	1.34	1.57	1.81	2.06	2.58	2.79	2.93	3.20	3.47	3.99	4.49	4.97	5.44	
	500	1.14	1.25	1.39	1.64	1.92	2.21	2.52	3.22	3.41	3.58	3.91	4.23	4.86	5.48	6.07	6.64	
	600	1.37	1.50	1.64	1.94	2.26	2.60	2.97	3.82	4.02	4.21	4.60	4.98	5.72	6.44	7.13	7.79	
	800	1.83	1.99	2.16	2.58	2.92	3.37	3.84	4.94	5.19	5.44	5.94	6.43	7.38	8.30	9.18	10.03	
	1000	2.28	2.49	2.70	3.22	3.56	4.11	4.69	6.02	6.33	6.64	7.24	7.83	8.98	10.09	11.15	12.16	
	1200	2.74	2.99	3.24	3.86	4.19	4.83	5.51	7.07	7.44	7.79	8.50	9.19	10.53	11.82	13.04	14.20	
	1400	3.19	3.48	3.77	4.50	4.86	5.53	6.31	8.10	8.51	8.92	9.73	10.51	12.04	13.49	14.86	16.16	
	1600	3.65	3.98	4.31	5.13	5.58	6.22	7.09	9.11	9.57	10.03	10.92	11.80	13.49	15.10	16.62	18.04	
	2000	4.55	4.96	5.37	6.40	6.96	7.55	8.61	11.06	11.61	12.16	13.23	14.28	16.29	18.17	19.92	21.54	
	2500	5.68	6.18	6.69	7.97	8.66	9.36	10.43	11.55	12.11	12.66	13.73	14.75	16.67	18.41	19.95	21.28	
	4000	8.98	9.77	10.54	12.55	13.60	14.67	15.75	17.30	18.07	18.82	20.25	21.57	23.86	
	6000	12.48	13.50	14.49	15.45	16.37	17.26	18.10	18.91	19.67	24.72	
	8000	14.24	15.26	16.21	17.09	17.88	
			30mm (1.18 in.) wide belt (8M-30)															
	Smallest Sprocket RPM	1160	4.21	4.59	4.97	5.93	6.46	7.45	8.50	10.92	11.47	12.03	13.12	14.19	16.26	18.25	20.14	21.95
		1460	5.30	5.77	6.25	7.46	8.10	9.12	10.41	13.36	14.04	14.72	16.04	17.34	19.84	22.22	24.48	26.61
		1750	6.34	6.91	7.48	8.92	9.70	10.69	12.20	15.66	16.45	17.23	18.77	20.27	23.15	25.88	28.44	30.84
		2900	10.44	11.37	12.30	14.66	15.91	17.19	18.80	20.97	21.96	22.94	24.83	26.64	29.98	32.92	35.44	37.51
		3500	12.55	13.66	14.75	17.58	19.06	20.57	22.11	24.64	25.78	26.89	29.02	31.03	34.62
		10	0.04	0.04	0.05	0.06	0.07	0.08	0.09	0.10	0.12	0.12	0.14	0.15	0.17	0.20	0.22	0.25
		20	0.07	0.08	0.10	0.12	0.14	0.16	0.18	0.21	0.24	0.25	0.27	0.30	0.35	0.40	0.45	0.50
		40	0.15	0.16	0.20	0.23	0.27	0.32	0.36	0.41	0.47	0.50	0.55	0.59	0.69	0.79	0.89	0.99
		60	0.22	0.24	0.29	0.35	0.41	0.47	0.54	0.62	0.71	0.74	0.82	0.89	1.04	1.19	1.34	1.49
		100	0.36	0.41	0.49	0.58	0.68	0.79	0.90	1.03	1.18	1.24	1.36	1.49	1.74	1.98	2.23	2.48
		200	0.73	0.80	0.97	1.14	1.33	1.54	1.75	2.05	2.35	2.48	2.72	2.95	3.40	3.83	4.25	4.66
		300	1.09	1.19	1.40	1.65	1.92	2.22	2.53	3.07	3.43	3.59	3.93	4.25	4.90	5.52	6.12	6.70
		400	1.45	1.59	1.81	2.14	2.49	2.87	3.28	4.10	4.44	4.66	5.09	5.51	6.34	7.14	7.91	8.66
		500	1.82	1.98	2.21	2.61	3.05	3.51	4.01	5.12	5.42	5.69	6.21	6.73	7.73	8.71	9.65	10.55
600		2.18	2.38	2.61	3.08	3.59	4.14	4.73	6.07	6.39	6.70	7.31	7.92	9.10	10.24	11.34	12.39	
800		2.91	3.17	3.43	4.10	4.65	5.35	6.11	7.85	8.26	8.66	9.45	10.23	11.74	13.20	14.60	15.94	
1000		3.63	3.96	4.29	5.12	5.67	6.53	7.45	9.57	10.06	10.55	11.51	12.45	14.28	16.04	17.73	19.33	
1200		4.36	4.75	5.14	6.13	6.67	7.68	8.76	11.25	11.82	12.39	13.51	14.61	16.75	18.79	20.73	22.58	
1400		5.08	5.54	6.00	7.15	7.77	8.79	10.03	12.88	13.54	14.19	15.46	16.72	19.14	21.44	23.63	25.70	
1600		5.80	6.32	6.85	8.16	8.87	9.89	11.28	14.48	15.21	15.94	17.37	18.76	21.46	24.01	26.42	28.69	
2000		7.24	7.89	8.54	10.18	11.06	12.01	13.70	17.58	18.46	19.33	21.04	22.71	25.89	28.89	31.68	34.25	
2500		9.03	9.83	10.64	12.68	13.77	14.88	16.58	18.37	19.26	20.13	21.83	23.46	26.51	29.27	31.72	33.84	
4000		14.28	15.53	16.76	19.96	21.63	23.33	25.05	27.50	28.73	29.93	32.20	34.29	37.94	
6000		19.85	21.47	23.04	24.56	26.03	27.44	28.78	30.06	31.27	39.30	
8000		22.64	24.27	25.78	27.17	28.43	

Drives falling within the shaded area may be considered noisy and require a sound dampening guard to reduce noise emission. RPP® is a registered trademark of Carlisle Power Transmission Products, Inc.

PULLEYS

8 mm RPP® Belt Horsepower Ratings



The following tables represent the horsepower ratings for each belt at the pre-determined No. of Teeth, Pitch Diameters and rpm's. These ratings must be multiplied by the applicable belt length factor to obtain corrected HP rating.

		50mm (1.97 in.) wide belt (8M-50)													
Smallest Sprocket RPM	No. of Teeth	28	30	32	34	36	38	40	44	48	56	64	72	80	
	PD	mm	71.30	76.39	81.49	86.58	91.67	96.77	101.86	112.05	122.23	142.60	162.97	183.35	203.72
	in.	2.807	3.008	3.208	3.409	3.609	3.810	4.010	4.411	4.812	5.614	6.416	7.218	8.020	
Smallest Sprocket RPM	1160	10.26	11.18	12.88	14.70	18.88	19.85	20.80	22.69	24.54	28.12	31.56	34.84	37.96	
	1460	12.89	14.02	15.78	18.01	23.11	24.29	25.45	27.74	29.98	34.31	38.43	42.34	46.02	
	1750	15.43	16.77	18.49	21.10	27.08	28.45	29.80	32.46	35.05	40.04	44.76	49.19	53.33	
	2900	25.35	27.52	29.73	32.51	36.26	37.99	39.68	42.95	46.08	51.84	56.93	61.30	64.88	
	3500	30.40	32.97	35.59	38.25	42.62	44.60	46.52	50.20	53.66	59.88	65.10	
	10	0.10	0.12	0.14	0.16	0.18	0.20	0.21	0.24	0.26	0.30	0.34	0.39	0.43	
	20	0.20	0.24	0.27	0.31	0.35	0.41	0.43	0.47	0.51	0.60	0.69	0.77	0.86	
	40	0.40	0.47	0.55	0.62	0.71	0.81	0.86	0.94	1.03	1.20	1.37	1.54	1.71	
	60	0.60	0.71	0.82	0.94	1.06	1.22	1.29	1.41	1.54	1.80	2.06	2.32	2.57	
	100	1.01	1.18	1.36	1.56	1.77	2.04	2.14	2.36	2.57	3.00	3.43	3.86	4.29	
	200	1.97	2.30	2.66	3.03	3.55	4.07	4.29	4.71	5.10	5.88	6.62	7.35	8.06	
	300	2.85	3.32	3.83	4.38	5.32	5.93	6.22	6.79	7.36	8.47	9.54	10.58	11.59	
	400	3.70	4.31	4.97	5.68	7.09	7.68	8.05	8.80	9.53	10.96	12.34	13.68	14.97	
	500	4.52	5.27	6.08	6.94	8.86	9.38	9.84	10.75	11.64	13.38	15.06	16.68	18.25	
	600	5.33	6.21	7.16	8.17	10.50	11.05	11.59	12.65	13.70	15.74	17.71	19.61	21.43	
	800	7.08	8.03	9.26	10.57	13.58	14.28	14.97	16.34	17.69	20.30	22.82	25.25	27.57	
1000	8.85	9.80	11.29	12.89	16.56	17.41	18.25	19.91	21.54	24.70	27.75	30.66	33.44		
1200	10.61	11.53	13.28	15.15	19.45	20.45	21.43	23.37	25.28	28.96	32.49	35.86	39.06		
1400	12.37	13.44	15.21	17.36	22.28	23.41	24.54	26.75	28.91	33.10	37.09	40.87	44.45		
1600	14.12	15.35	17.10	19.51	25.04	26.31	27.57	30.04	32.45	37.11	41.52	45.70	49.61		
2000	17.61	19.13	20.77	23.69	30.40	31.93	33.44	36.39	39.27	44.79	49.96	54.78	59.24		
2500	21.93	23.82	25.74	28.68	31.77	33.31	34.82	37.75	40.59	45.86	50.63	54.86	58.53		
4000	34.52	37.41	40.34	43.32	47.56	49.70	51.76	55.68	59.31	65.63		
6000	42.49	45.02	47.46	49.78	51.99	54.08	67.97		
8000	47.00	49.17		
		85mm (3.35 in.) wide belt (8M-85)													
Smallest Sprocket RPM	1160	25.56	32.82	34.49	36.16	39.44	42.65	48.88	54.85	60.55	65.97	
	1460	31.30	40.18	42.22	44.24	48.22	52.12	59.64	66.80	73.59	80.00	
	1750	36.67	47.07	49.45	51.80	56.42	60.92	69.60	77.80	85.50	92.70	
	2900	56.51	63.03	66.03	68.97	74.66	80.09	90.11	98.96	106.54	112.78	
	3500	66.48	74.09	77.52	80.85	87.25	93.27	104.09	113.15	
	10	0.27	0.31	0.35	0.37	0.41	0.45	0.52	0.60	0.67	0.75	
	20	0.54	0.62	0.71	0.75	0.82	0.89	1.04	1.19	1.34	1.49	
	40	1.09	1.23	1.42	1.49	1.64	1.79	2.09	2.38	2.68	2.98	
	60	1.63	1.85	2.12	2.24	2.46	2.68	3.13	3.58	4.02	4.47	
	100	2.71	3.08	3.54	3.73	4.10	4.47	5.22	5.96	6.71	7.45	
	200	5.27	6.16	7.08	7.45	8.19	8.87	10.21	11.51	12.78	14.00	
	300	7.61	9.24	10.30	10.81	11.81	12.79	14.72	16.58	18.39	20.14	
	400	9.87	12.32	13.35	14.00	15.29	16.56	19.05	21.45	23.78	26.02	
	500	12.06	15.40	16.31	17.11	18.68	20.23	23.25	26.18	29.00	31.72	
	600	14.21	18.26	19.20	20.14	21.99	23.81	27.35	30.78	34.08	37.26	
	800	18.37	23.60	24.82	26.02	28.40	30.74	35.29	39.67	43.88	47.92	
1000	22.41	28.78	30.25	31.72	34.60	37.44	42.94	48.23	53.29	58.12		
1200	26.33	33.81	35.54	37.25	40.63	43.93	50.35	56.48	62.33	67.90		
1400	30.17	38.73	40.70	42.65	46.49	50.25	57.53	64.46	71.04	77.27		
1600	33.91	43.53	45.74	47.92	52.21	56.41	64.50	72.18	79.43	86.24		
2000	41.18	52.85	55.50	58.12	63.26	68.26	77.85	86.84	95.22	102.96		
2500	49.86	55.22	57.90	60.52	65.62	70.53	79.71	88.00	95.36	101.73		
4000	75.30	82.67	86.38	89.97	96.79	103.10	114.07		
6000	86.53	90.37	94.00	118.15		
8000		

Drives falling within the shaded area may be considered noisy and require a sound dampening guard to reduce noise emission.



14 mm RPP® Belt Horsepower Ratings

The following tables represent the horsepower ratings for each belt at the pre-determined No. of Teeth, Pitch Diameters and rpm's. These ratings must be multiplied by the applicable belt length factor to obtain corrected HP rating.

		40mm (1.57 in.) wide belt (14M-40)																	
No. of Teeth		28	29	30	32	34	36	38	40	44	48	52	56	60	64	68	72	80	
	PD	mm	124.78	129.23	133.69	142.60	151.51	160.43	169.34	178.25	196.08	213.90	231.73	249.55	267.38	285.21	303.03	320.86	356.51
	in.	4.912	5.088	5.263	5.614	5.965	6.316	6.667	7.018	7.720	8.421	9.123	9.825	10.527	11.229	11.930	12.632	14.036	
Smallest Sprocket RPM	1160	18.24	19.55	20.91	23.77	26.81	30.02	32.56	34.13	37.22	40.24	43.17	46.01	48.77	51.42	53.97	56.42	60.98	
	1460	20.70	22.18	23.72	26.93	30.35	33.96	36.72	38.35	41.50	44.48	47.29	49.92	52.35	54.58	56.60	58.39	61.29	
	1750	22.58	24.19	25.85	29.32	33.00	36.89	39.76	41.35	44.32	47.02	49.42	51.51	53.27	54.70	55.76	56.44	56.61	
	2900	33.08	33.94	34.76	36.30	37.69	40.50	42.71	43.04	42.92	42.39	
	3500	37.55	38.32	39.04	40.27	41.24	41.92	42.31	42.39
	10	0.26	0.28	0.30	0.35	0.40	0.45	0.47	0.49	0.55	0.62	0.68	0.75	0.80	0.86	0.91	0.96	1.07	
	20	0.52	0.56	0.60	0.69	0.79	0.89	0.93	0.99	1.11	1.23	1.36	1.49	1.60	1.71	1.82	1.93	2.14	
	40	1.04	1.12	1.21	1.39	1.58	1.79	1.86	1.98	2.22	2.47	2.72	2.98	3.21	3.42	3.64	3.85	4.28	
	60	1.55	1.68	1.81	2.08	2.37	2.68	2.79	2.97	3.33	3.70	4.08	4.47	4.81	5.13	5.45	5.77	6.42	
	100	2.59	2.80	3.01	3.47	3.96	4.47	4.66	4.95	5.55	6.16	6.80	7.45	8.02	8.55	9.09	9.62	10.69	
	200	5.18	5.59	6.03	6.94	7.87	8.83	9.31	9.89	11.09	12.32	13.59	14.90	16.03	17.10	18.16	19.23	21.36	
	300	7.26	7.79	8.34	9.49	10.71	12.01	13.11	13.87	15.39	16.95	18.53	20.13	21.76	23.42	25.10	26.81	30.29	
	400	8.98	9.63	10.30	11.72	13.23	14.83	16.19	17.10	18.94	20.81	22.71	24.62	26.56	28.52	30.51	32.51	36.59	
	500	10.53	11.30	12.09	13.75	15.52	17.40	18.97	20.02	22.13	24.27	26.42	28.59	30.78	32.99	35.22	37.46	41.99	
	600	11.96	12.82	13.72	15.61	17.62	19.75	21.51	22.68	25.03	27.39	29.76	32.14	34.54	36.94	39.35	41.76	46.62	
	800	14.50	15.55	16.63	18.92	21.35	23.92	26.02	27.38	30.09	32.80	35.49	38.17	40.84	43.49	46.12	48.73	53.88	
	1000	16.69	17.90	19.15	21.77	24.56	27.51	29.87	31.37	34.34	37.26	40.14	42.97	45.75	48.47	51.13	53.73	58.74	
	1200	18.60	19.94	21.33	24.24	27.33	30.60	33.17	34.76	37.87	40.90	43.83	46.67	49.40	52.02	54.53	56.92	61.31	
	1400	20.25	21.70	23.21	26.36	29.71	33.25	35.97	37.60	40.76	43.77	46.62	49.32	51.85	54.19	56.35	58.32	61.63	
	1600	21.67	23.22	24.81	28.17	31.72	35.48	38.31	39.93	43.02	45.90	48.54	50.95	53.11	55.00	56.61	57.93	59.65	
	1800	22.86	24.49	26.16	29.67	33.39	37.31	40.19	41.76	44.68	47.30	49.60	51.57	53.18	54.42	55.27	55.71	...	
	2000	24.37	25.53	27.26	30.88	34.72	38.75	41.63	43.10	45.74	47.98	49.79	51.15	52.03	52.41	52.27	
	2500	29.47	30.32	31.14	32.72	36.59	40.69	43.34	44.31	45.74	46.43	46.33	45.40	
	3000	33.91	34.76	35.58	37.09	38.43	40.20	42.26	42.40	42.28	
4000	40.27	40.86	41.35	42.07	42.38	
		55mm (2.17in.) wide belt (14M-55)																	
Smallest Sprocket RPM	1160	26.67	28.59	30.58	34.75	39.19	43.89	47.60	49.90	54.42	58.82	63.11	67.27	71.29	75.18	78.91	82.49	89.15	
	1460	30.26	32.43	34.67	39.38	44.37	49.65	53.69	56.07	60.67	65.03	69.14	72.98	76.53	79.79	82.75	85.37	89.60	
	1750	33.02	35.37	37.79	42.87	48.25	53.93	58.13	60.45	64.80	68.74	72.25	75.31	77.89	79.96	81.52	82.52	82.77	
	2900	48.37	49.62	50.82	53.07	55.10	59.21	62.43	62.92	62.75	61.98	
	3500	54.90	56.03	57.07	58.87	60.29	61.29	61.86	61.97
	10	0.38	0.41	0.44	0.51	0.58	0.65	0.68	0.72	0.81	0.90	0.99	1.09	1.17	1.25	1.33	1.41	1.56	
	20	0.76	0.82	0.88	1.01	1.16	1.31	1.36	1.45	1.62	1.80	1.99	2.18	2.35	2.50	2.66	2.81	3.13	
	40	1.51	1.64	1.76	2.03	2.31	2.62	2.72	2.89	3.24	3.61	3.98	4.36	4.69	5.00	5.32	5.63	6.25	
	60	2.27	2.45	2.64	3.04	3.47	3.92	4.09	4.34	4.87	5.41	5.97	6.54	7.04	7.50	7.97	8.44	9.38	
	100	3.79	4.09	4.41	5.07	5.78	6.54	6.81	7.24	8.11	9.01	9.94	10.90	11.72	12.51	13.29	14.07	15.63	
	200	7.57	8.18	8.81	10.14	11.51	12.91	13.61	14.47	16.21	18.02	19.87	21.78	23.43	24.99	26.55	28.11	31.22	
	300	10.62	11.39	12.19	13.87	15.66	17.55	19.17	20.27	22.51	24.78	27.09	29.44	31.82	34.24	36.70	39.19	44.29	
	400	13.12	14.08	15.06	17.14	19.35	21.69	23.66	25.00	27.70	30.43	33.19	36.00	38.83	41.70	44.60	47.53	53.50	
	500	15.40	16.51	17.67	20.10	22.69	25.44	27.73	29.27	32.36	35.48	38.63	41.81	45.01	48.23	51.49	54.76	61.39	
	600	17.48	18.75	20.06	22.82	25.76	28.87	31.45	33.16	36.59	40.04	43.51	46.99	50.49	54.00	57.52	61.06	68.16	
	800	21.19	22.73	24.32	27.66	31.21	34.97	38.04	40.03	44.00	47.95	51.89	55.81	59.71	63.58	67.42	71.24	78.78	
	1000	24.40	26.17	27.99	31.83	35.90	40.22	43.67	45.87	50.20	54.48	58.69	62.82	66.88	70.86	74.75	78.56	85.87	
	1200	27.19	29.15	31.18	35.43	39.95	44.74	48.50	50.82	55.37	59.80	64.08	68.23	72.22	76.05	79.72	83.21	89.64	
	1400	29.61	31.73	33.93	38.54	43.43	48.61	52.60	54.98	59.59	63.99	68.16	72.10	75.80	79.23	82.39	85.27	90.11	
	1600	31.68	33.94	36.28	41.18	46.38	51.87	56.01	58.38	62.89	67.10	70.97	74.49	77.64	80.41	82.77	84.70	87.22	
	1800	33.43	35.80	38.25	43.38	48.81	54.55	58.76	61.05	65.32	69.15	72.52	75.90	77.75	79.56	80.80	81.44	...	
	2000	35.63	37.32	39.85	45.15	50.75	56.66	60.87	63.01	66.87	70.14	72.79	74.78	76.07	76.63	76.42	
	2500	43.09	44.33	45.53	47.83	53.49	59.49	63.36	64.79	66.87	67.88	67.74	66.37	
	3000	49.58	50.82	52.01	54.22	56.18	58.78	61.79	61.98	61.81	
4000	58.87	59.73	60.46	61.50	61.96	

Drives falling within the shaded area may be considered noisy and require a sound dampening guard to reduce noise emission.
RPP® is a registered trademark of Carlisle Power Transmission Products, Inc.

14 mm RPP® Belt Horsepower Ratings



The following tables represent the horsepower ratings for each belt at the pre-determined No. of Teeth, Pitch Diameters and rpm's. These ratings must be multiplied by the applicable belt length factor to obtain corrected HP rating.

		85mm (3.35 in.) wide belt (14M-85)																	
No. of Teeth	PD	28	29	30	32	34	36	38	40	44	48	52	56	60	64	68	72	80	
		mm in.	124.78 4.912	129.23 5.088	133.69 5.263	142.60 5.614	151.51 5.965	160.43 6.316	169.34 6.667	178.25 7.018	196.08 7.720	213.90 8.421	231.73 9.123	249.55 9.825	267.38 10.527	285.21 11.229	303.03 11.930	320.86 12.632	356.51 14.036
Smallest Sprocket RPM	1160	43.50	46.64	49.88	56.69	63.93	71.60	77.64	81.40	88.77	95.96	102.96	109.74	116.31	122.64	128.73	134.57	145.43	
	1460	49.37	52.91	56.57	64.24	72.38	80.99	87.58	91.47	98.98	106.09	112.79	119.05	124.85	130.17	134.99	139.27	146.17	
	1750	53.87	57.69	61.65	69.93	78.71	87.98	94.83	98.61	105.70	112.13	117.86	122.85	127.06	130.45	132.98	134.61	135.02	
	2900	78.90	80.95	82.91	86.58	89.89	96.59	101.85	102.64	102.37	101.11	
	3500	89.57	91.40	93.10	96.04	98.35	99.99	100.91	101.09
	10	0.62	0.67	0.72	0.83	0.94	1.07	1.11	1.18	1.32	1.47	1.62	1.78	1.91	2.04	2.17	2.30	2.55	
	20	1.24	1.33	1.44	1.65	1.89	2.13	2.22	2.36	2.65	2.94	3.24	3.56	3.83	4.08	4.34	4.59	5.10	
	40	2.47	2.67	2.87	3.31	3.77	4.27	4.44	4.72	5.29	5.88	6.49	7.11	7.65	8.16	8.67	9.18	10.20	
	60	3.71	4.00	4.31	4.96	5.66	6.40	6.66	7.08	7.94	8.82	9.73	10.67	11.48	12.24	13.01	13.77	15.30	
	100	6.18	6.67	7.19	8.27	9.43	10.67	11.11	11.80	13.23	14.70	16.22	17.78	19.13	20.40	21.68	22.95	25.50	
	200	12.35	13.34	14.37	16.54	18.78	21.05	22.21	23.60	26.45	29.39	32.42	35.53	38.23	40.77	43.32	45.86	50.94	
	300	17.32	18.58	19.89	22.63	25.54	28.63	31.27	33.07	36.72	40.42	44.19	48.02	51.91	55.85	59.86	63.93	72.24	
	400	21.41	22.97	24.58	27.96	31.56	35.38	38.60	40.78	45.18	49.64	54.15	58.72	63.34	68.02	72.76	77.54	87.28	
	500	25.12	26.94	28.83	32.80	37.02	41.49	45.24	47.74	52.79	57.88	63.02	68.20	73.42	78.69	83.99	89.34	100.15	
	600	28.52	30.59	32.73	37.23	42.02	47.10	51.31	54.10	59.70	65.33	70.98	76.66	81.37	88.09	93.84	99.61	111.19	
	800	34.57	37.08	39.67	45.12	50.91	57.05	62.05	65.30	71.77	78.23	84.65	91.04	97.40	103.71	109.99	116.21	128.51	
	1000	39.81	42.69	45.67	51.92	58.57	65.61	71.25	74.82	81.90	88.88	95.74	102.49	109.11	115.60	121.95	128.15	140.09	
	1200	44.36	47.56	50.86	57.80	65.18	72.98	79.12	82.91	90.33	97.55	104.54	111.30	117.81	124.07	130.05	135.75	146.23	
	1400	48.30	51.77	55.35	62.87	70.85	79.29	85.80	89.68	97.21	104.38	111.20	117.63	123.65	129.25	134.41	139.10	147.00	
	1600	51.68	55.37	59.18	67.18	75.65	84.61	91.36	95.23	102.60	109.46	115.78	121.52	126.66	131.17	135.02	138.17	142.28	
1800	54.53	58.40	62.40	70.76	79.63	88.98	95.85	99.59	106.56	112.81	118.30	122.99	126.83	129.79	131.81	132.86	...		
2000	58.13	60.88	65.01	73.66	82.80	92.43	99.30	102.79	109.09	114.43	118.75	121.99	124.10	125.01	124.67		
2500	70.30	72.31	74.27	78.03	87.26	97.05	103.36	105.69	109.09	110.74	110.50	108.27		
3000	80.88	82.91	84.85	88.45	91.66	95.89	100.79	101.11	100.83		
4000	96.04	97.44	98.63	100.33	101.08		
		115mm (4.53in.) wide belt (14M-115)																	
Smallest Sprocket RPM	1160	60.33	64.69	69.19	78.63	88.67	99.30	107.69	112.90	123.13	133.10	142.80	152.21	161.32	170.10	178.55	186.65	201.72	
	1460	68.47	73.38	78.46	89.10	100.39	112.33	121.48	126.88	137.28	147.15	156.44	165.12	173.17	180.55	187.23	193.17	202.73	
	1750	74.71	80.02	85.51	97.00	109.17	122.02	131.53	136.78	146.61	155.53	163.48	170.39	176.23	180.93	184.44	186.70	187.27	
	2900	109.44	112.27	115.00	120.09	124.68	133.98	141.27	142.37	141.98	140.24	
	3500	124.23	126.78	129.13	133.21	136.41	138.68	139.97	140.21	
	10	0.86	0.93	1.00	1.15	1.31	1.48	1.54	1.64	1.84	2.04	2.25	2.47	2.65	2.83	3.01	3.18	3.54	
	20	1.71	1.85	1.99	2.29	2.62	2.96	3.08	3.27	3.67	4.08	4.50	4.93	5.31	5.66	6.01	6.37	7.08	
	40	3.43	3.70	3.99	4.59	5.23	5.92	6.16	6.55	7.34	8.16	9.00	9.86	10.61	11.32	12.03	12.74	14.15	
	60	5.14	5.55	5.98	6.88	7.85	8.88	9.24	9.82	11.01	12.24	13.50	14.80	15.92	16.98	18.04	19.10	21.22	
	100	8.57	9.25	9.97	11.47	13.08	14.80	15.41	16.37	18.35	20.39	22.49	24.66	26.53	28.30	30.06	31.83	35.37	
	200	17.13	18.50	19.93	22.94	26.05	29.20	30.80	32.73	36.69	40.76	44.96	49.29	53.02	56.55	60.08	63.60	70.65	
	300	24.03	25.78	27.58	31.38	35.43	39.71	43.37	45.87	50.93	56.07	61.29	66.60	71.99	77.47	83.03	88.67	100.20	
	400	29.70	31.85	34.09	38.78	43.77	49.07	53.54	56.56	62.67	68.85	75.11	81.45	87.86	94.35	100.91	107.55	121.06	
	500	34.84	37.37	39.99	45.49	51.34	57.55	62.74	66.22	73.22	80.28	87.41	94.59	101.84	109.14	116.50	123.91	138.91	
	600	39.55	42.42	45.39	51.64	58.28	65.32	71.16	75.03	82.80	90.61	98.45	106.33	114.24	122.19	130.16	138.16	154.22	
	800	47.95	51.43	55.02	62.57	70.61	79.13	86.06	90.57	99.55	108.50	117.41	126.28	135.09	143.85	152.55	161.19	178.24	
	1000	55.22	59.21	63.34	72.01	81.23	91.00	98.82	103.78	113.60	123.27	132.79	142.15	151.34	160.34	169.14	177.75	194.30	
	1200	61.53	65.96	70.55	80.17	90.40	101.23	109.74	114.99	125.29	135.30	145.00	154.37	163.41	172.08	180.38	188.28	202.83	
	1400	66.99	71.80	76.77	87.20	98.27	109.98	119.01	124.39	134.82	144.78	154.23	163.15	171.50	179.27	186.42	192.93	203.89	
	1600	71.68	76.80	82.09	93.17	104.93	117.36	126.72	132.09	142.31	151.82	160.58	168.55	175.68	181.94	187.27	191.64	197.34	
1800	75.63	81.00	86.54	98.15	110.44	123.42	132.95	138.14	147.80	156.47	164.08	170.59	175.92	180.02	182.82	184.28	...		
2000	80.63	84.44	90.18	102.16	114.84	128.20	137.73	142.57	151.31	158.71	164.70	169.20	172.12	173.39	172.91		
2500	97.50	100.29	103.02	108.23	121.03	134.61	143.36	146.59	151.31	153.59	153.27	150.18		
3000	112.18	115.00	117.69	122.68	127.13	133.00	139.80	140.24	139.85		
4000	133.21	135.15	136.79	139.15	140.20		

Drives falling within the shaded area may be considered noisy and require a sound dampening guard to reduce noise emission.
RPP® is a registered trademark of Carlisle Power Transmission Products, Inc.

PULLEYS



14 mm & 20 mm RPP® Belt Horsepower Ratings

The following tables represent the horsepower ratings for each belt at the pre-determined No. of Teeth, Pitch Diameters and rpm's. These ratings must be multiplied by the applicable belt length factor to obtain corrected HP rating.

170mm (6.69in.) wide belt (14M-170)																
No. of Teeth			36	38	40	44	48	52	56	66	64	68	72	80		
	PD	mm in.	160.43 6.316	169.34 6.667	178.25 7.018	196.08 7.720	213.90 8.421	231.73 9.123	249.55 9.825	267.38 10.527	285.21 11.229	303.03 11.930	320.86 12.632	356.51 14.036		
Smallest Sprocket RPM	1160	150.10	162.78	170.65	186.11	201.18	215.84	230.06	243.83	257.10	269.87	282.11	304.89			
	1460	169.79	183.61	191.77	207.50	222.41	236.45	249.59	261.74	272.90	282.99	291.97	306.43			
	1750	184.44	198.81	206.73	221.60	235.08	247.09	257.55	266.37	273.48	278.78	282.20	283.06			
	2900	202.50	213.53	215.19	214.60	211.97			
	3500	209.62	211.56	211.93			
	10	2.24	2.33	2.47	2.77	3.08	3.40	3.73	4.01	4.28	4.55	4.81	5.35			
	20	4.47	4.66	4.95	5.55	6.16	6.80	7.45	8.02	8.56	9.09	9.63	10.70			
	40	8.95	9.31	9.90	11.10	12.33	13.60	14.91	16.04	17.11	18.18	19.25	21.39			
	60	13.42	13.97	14.85	16.64	18.49	20.40	22.36	24.06	25.67	27.27	28.87	32.08			
	100	22.37	23.29	24.74	27.74	30.82	34.00	37.27	40.10	42.77	45.44	48.11	53.46			
	200	44.14	46.56	49.47	55.45	61.61	67.96	74.49	80.14	85.48	90.81	96.14	106.79			
	300	60.03	65.55	69.33	76.97	84.74	92.64	100.67	108.82	117.10	125.50	134.03	151.46			
	400	74.17	80.93	85.50	94.72	104.06	113.53	123.10	132.80	142.61	152.53	162.57	182.97			
	500	86.99	94.84	100.09	110.67	121.34	132.11	142.97	153.92	164.96	176.09	187.29	209.96			
	600	98.74	107.56	113.41	125.15	136.95	148.81	160.72	172.68	184.68	196.73	208.82	233.11			
	800	119.60	130.08	136.89	150.47	164.00	177.46	190.86	204.19	217.43	230.58	243.63	269.41			
	1000	137.54	149.37	156.86	171.70	186.32	200.71	214.86	228.74	242.35	255.66	268.66	293.68			
	1200	153.01	165.87	173.81	189.37	204.50	219.16	233.33	246.99	260.10	272.64	284.58	306.57			
	1400	166.23	179.87	188.02	203.79	218.83	233.12	246.60	259.23	270.97	281.77	291.61	308.17			
	1600	177.38	191.54	199.65	215.10	229.48	242.72	254.76	265.54	275.00	283.06	289.67	298.27			
1800	186.54	200.95	208.79	223.39	236.50	248.01	257.84	265.90	272.09	276.34	278.54	...				
2000	193.77	208.17	215.49	228.70	239.89	248.95	255.75	260.16	262.07	261.35				
2500	203.46	216.69	221.57	228.71	232.15	231.66	226.99				
3000	201.02	211.31	211.98	211.38				
4000				
115mm (4.53 in.) wide belt (20M-115)																
No. of Teeth			34	36	38	40	44	48	52	56	60	64	68	72	80	90
	PD	mm in.	216.46 8.522	229.18 9.023	241.91 9.524	254.66 10.026	280.11 11.028	305.59 12.031	331.04 13.033	356.51 14.036	381.97 15.038	407.44 16.041	432.89 17.043	458.37 18.046	509.30 20.051	572.95 22.557
Smallest Sprocket RPM	870	199.41	210.20	220.85	231.35	251.85	271.65	290.69	308.91	326.25	342.64	358.04	372.36	397.58	422.03	
	960	214.31	225.69	236.88	247.87	269.18	289.56	308.93	327.19	344.28	360.10	374.57	387.63	409.12	426.50	
	1160	244.73	257.05	269.02	280.65	302.76	323.22	341.91	358.67	373.36	385.83	395.94	403.55	410.65	...	
	1460	283.02	295.65	307.61	318.87	339.13	356.15	369.63	379.29	384.84	385.98	382.43	
	1750	310.91	322.38	332.71	341.83	356.21	365.02	367.76	363.94	
	10	2.82	2.98	3.15	3.32	3.65	3.98	4.31	4.64	4.97	5.31	5.64	5.97	6.63	7.46	
	20	5.64	5.97	6.30	6.63	7.30	7.96	8.62	9.29	9.95	10.61	11.28	11.94	13.27	14.92	
	40	11.28	11.94	12.60	13.27	14.59	15.92	17.24	18.57	19.90	21.22	22.55	23.87	26.52	29.84	
	60	16.91	17.91	18.90	19.90	21.88	23.87	25.86	27.85	29.84	31.82	33.81	35.80	39.77	44.73	
	100	28.18	29.84	31.49	33.15	36.46	39.77	43.08	46.39	49.69	53.00	56.30	59.61	66.21	74.44	
	200	56.30	59.61	62.91	66.21	72.80	79.38	85.95	92.52	99.07	105.62	112.15	118.66	131.66	147.82	
	300	84.31	89.24	94.15	99.07	108.88	118.66	128.42	138.14	147.82	157.46	167.07	176.63	195.61	219.06	
	400	109.02	115.29	121.54	127.77	140.19	152.52	164.77	176.93	189.00	200.98	212.84	224.60	247.77	276.01	
	500	130.16	137.58	144.97	152.33	166.95	181.43	195.75	209.91	223.90	237.70	251.30	264.69	290.81	322.08	
	600	150.19	158.66	167.09	175.46	192.04	208.38	224.46	240.27	255.78	270.97	285.83	300.33	328.19	360.67	
	700	169.22	178.65	187.99	197.26	215.54	233.44	250.94	268.01	284.61	300.71	316.29	331.31	359.55	391.14	
	800	187.30	197.57	207.73	217.77	237.46	256.60	275.15	293.05	310.27	326.75	342.45	357.32	384.38	412.70	
	900	204.46	215.46	226.30	236.97	257.78	277.81	296.99	315.27	332.58	348.84	364.00	377.97	402.13	424.49	
	1000	220.70	232.31	243.70	254.86	276.45	296.99	316.38	334.52	351.34	366.73	380.60	392.86	412.18	425.61	
	1100	236.00	248.09	259.90	271.40	293.42	314.05	333.15	350.61	366.30	380.10	391.88	401.53	413.90	415.11	
1200	250.36	262.79	274.86	286.53	308.61	328.88	347.18	363.35	377.23	388.66	397.47	403.51	406.62	...		
1400	276.10	288.78	300.87	312.34	333.29	351.38	366.35	377.95	385.91	390.00	389.94		
1600	297.67	309.93	312.32	331.78	349.75	363.46	372.52	376.56	375.19		
1800	314.73	325.84	335.71	344.26	357.17	364.02	364.26		
2000	326.94	336.08	343.52	349.16	354.68	351.91		

Drives falling within the shaded area may be considered noisy and require a sound dampening guard to reduce noise emission.
RPP® is a registered trademark of Carlisle Power Transmission Products, Inc.

PULLEYS

20 mm RPP® Belt Horsepower Ratings



The following tables represent the horsepower ratings for each belt at the pre-determined No. of Teeth, Pitch Diameters and rpm's. These ratings must be multiplied by the applicable belt length factor to obtain corrected HP rating.

		170mm (6.69 in.) wide belt (20M-170)													
Smallest Sprocket RPM	No. of Teeth	34	36	38	40	44	48	52	56	60	64	68	72	80	90
	PD	mm	216.46	229.18	241.91	254.66	280.11	305.59	331.04	356.51	381.97	407.44	432.89	458.37	509.30
	in.	8.522	9.023	9.524	10.026	11.028	12.031	13.033	14.036	15.038	16.041	17.043	18.046	20.051	22.557
870	309.54	326.35	342.95	359.33	391.35	422.34	452.20	480.84	508.18	534.12	558.58	581.47	622.16	662.56	
960	332.79	350.55	368.02	385.19	418.56	450.54	481.02	509.87	536.98	562.21	585.47	606.61	642.08	672.38	
1160	380.41	399.70	418.49	436.76	471.60	504.02	533.81	560.75	584.62	605.21	622.31	635.71	650.52	...	
1460	440.83	460.80	479.79	497.74	530.30	558.06	580.60	597.48	608.28	612.57	609.92	
1750	485.60	504.07	520.85	535.84	560.12	576.17	583.24	580.60	
10	4.37	4.63	4.88	5.14	5.65	6.17	6.68	7.20	7.71	8.22	8.74	9.25	10.28	11.57	
20	8.74	9.25	9.77	10.28	11.31	12.34	13.37	14.39	15.42	16.45	17.48	18.51	20.56	23.13	
40	17.48	18.51	19.53	20.56	22.62	24.67	26.73	28.78	30.84	32.89	34.95	37.00	41.11	46.25	
60	26.21	27.76	29.30	30.84	33.92	37.00	40.09	43.17	46.25	49.33	52.41	55.49	61.65	69.34	
100	43.68	46.25	48.82	51.38	56.52	61.65	66.78	71.90	77.03	82.15	87.28	92.40	102.63	115.40	
200	87.28	92.40	97.51	102.63	112.85	123.05	133.25	143.43	153.59	163.74	173.87	183.98	204.14	229.22	
300	130.70	138.34	145.97	153.59	168.81	183.98	199.11	214.19	229.22	244.19	259.10	273.95	303.44	339.88	
400	169.03	178.75	188.45	198.12	217.38	236.53	255.55	274.44	293.20	311.81	330.26	348.55	384.61	428.63	
500	201.83	213.35	224.83	236.26	258.96	281.46	303.73	325.75	347.52	369.00	390.20	411.09	451.87	500.82	
600	232.94	246.11	259.20	272.21	297.99	323.41	348.45	373.08	397.27	421.00	444.22	466.93	510.64	561.80	
700	262.52	277.18	291.72	306.14	334.60	362.50	389.80	416.47	442.44	467.68	492.14	515.78	560.38	610.65	
800	290.67	306.65	322.47	338.11	368.82	398.72	427.74	455.80	482.85	508.81	533.62	557.19	600.38	646.22	
900	317.41	334.56	351.47	368.13	400.64	432.01	462.14	490.92	518.26	544.06	568.21	590.63	629.84	667.27	
1000	342.77	360.89	378.70	396.16	430.00	462.27	492.85	521.59	548.36	573.02	595.44	615.47	647.85	672.47	
1100	366.72	385.63	404.12	422.16	456.79	489.36	519.67	547.55	572.81	595.27	614.75	631.07	653.48	660.43	
1200	389.24	408.74	427.69	446.06	480.93	513.12	542.39	568.52	591.25	610.36	627.68	643.14	666.78	688.57	
1400	429.85	449.85	468.99	487.21	520.70	549.96	574.61	594.26	608.55	617.10	623.92	629.99	635.34	640.00	
1600	464.21	483.74	501.98	518.86	548.23	571.30	587.50	596.28	597.05	
1800	491.85	509.82	525.95	540.15	562.32	575.53	578.98	
2000	512.27	527.47	540.15	550.17	561.70	560.97	

		230mm (9.06 in.) wide belt (20M-230)											
Smallest Sprocket RPM	No. of Teeth	38	40	44	48	52	56	60	64	68	72	80	90
	PD	mm	241.91	254.66	280.11	305.59	331.04	356.51	381.97	407.44	432.89	458.37	509.30
	in.	9.524	10.026	11.028	12.031	13.033	14.036	15.038	16.041	17.043	18.046	20.051	22.557
870	478.45	501.36	546.19	589.62	631.52	671.77	710.26	746.86	781.45	813.91	871.96	930.35	
960	513.56	537.61	584.38	629.28	672.15	712.81	751.10	786.87	819.95	850.18	901.41	946.46	
1160	584.44	610.10	659.15	704.91	747.11	785.45	819.64	849.39	874.42	894.44	918.25	...	
1460	671.12	696.54	742.88	782.73	815.51	840.63	857.52	865.61	864.30	
1750	730.14	751.76	787.25	811.61	823.82	822.89	
10	6.81	7.16	7.88	8.60	9.31	10.03	10.75	11.46	12.18	12.89	14.33	16.12	
20	13.61	14.33	15.76	17.19	18.62	20.06	21.49	22.92	24.36	25.79	28.65	32.23	
40	27.22	28.65	31.52	34.38	37.25	40.11	42.98	45.84	48.70	51.57	57.29	64.45	
60	40.83	42.98	47.27	51.57	55.86	60.16	64.45	68.74	73.04	77.33	85.91	96.63	
100	68.03	71.61	78.76	85.91	93.06	100.21	107.35	114.49	121.63	128.76	143.02	160.83	
200	135.90	143.02	157.27	171.50	185.71	199.90	214.07	228.21	242.34	256.43	284.55	319.52	
300	203.44	214.07	235.28	256.43	277.53	298.56	319.52	340.40	361.20	381.91	423.07	473.93	
400	262.67	276.15	303.02	329.42	356.26	382.62	408.79	434.76	460.53	486.07	536.46	598.00	
500	313.41	329.35	361.03	392.43	423.52	454.27	484.68	514.71	544.34	573.56	630.65	699.26	
600	361.38	379.54	415.53	451.04	486.03	520.46	554.30	587.51	620.04	651.87	713.22	785.21	
700	406.80	426.94	466.70	505.71	543.92	581.25	617.65	653.06	687.41	720.64	783.49	854.63	
800	449.79	471.65	514.61	556.46	597.13	636.50	674.50	711.03	745.98	779.28	840.51	906.01	
900	490.37	513.68	559.23	603.21	645.51	686.00	724.53	760.97	795.19	827.06	883.18	937.67	
1000	528.54	553.01	600.47	645.82	688.87	729.43	767.33	802.37	834.38	863.16	910.32	947.81	
1100	564.23	589.55	638.23	684.10	726.93	766.46	802.45	834.66	862.83	886.71	920.65	934.57	
1200	597.40	632.22	672.35	717.86	759.41	796.70	829.41	857.20	879.77	896.79	912.88	...	
1400	655.77	681.52	729.05	770.84	806.40	835.20	856.74	870.51	875.99	
1600	702.83	726.89	769.10	802.78	827.16	841.49	845.00	
1800	737.64	758.20	790.90	811.49	818.87	
2000	759.16	774.20	792.75	794.71	

Drives falling within the shaded area may be considered noisy and require a sound dampening guard to reduce noise emission. RPP® is a registered trademark of Carlisle Power Transmission Products, Inc.



20 mm RPP® Belt Horsepower Ratings

The following tables represent the horsepower ratings for each belt at the pre-determined No. of Teeth, Pitch Diameters and rpm's. These ratings must be multiplied by the applicable belt length factor to obtain corrected HP rating.

290mm (11.42 in.) wide belt (20M-290)										
No. of Teeth	PD		52	56	60	64	68	72	80	90
	mm	in.								
870	331.04	13.033	807.70	859.33	908.73	955.75	1000.23	1042.03	1116.95	1192.75
960	356.51	14.036	859.88	912.09	961.32	1007.37	1050.02	1089.07	1155.54	1214.69
1160	381.97	15.038	956.45	1005.89	1050.10	1088.72	1121.37	1147.70	1179.92	...
1460	407.44	16.041	1045.65	1078.65	1101.28	1112.79	1112.46
1750	432.89	17.043	1058.89	1059.25
10	458.37	18.046	11.90	12.81	13.73	14.65	15.56	16.48	18.31	20.60
20	509.30	20.051	23.80	25.63	27.46	29.29	31.12	32.95	36.61	41.19
40	559.30	22.051	47.59	51.25	54.91	58.57	62.23	65.89	73.21	82.35
60	609.30	24.051	71.38	76.87	82.35	87.84	93.32	98.81	109.77	123.48
100	659.30	26.051	118.91	128.04	137.17	146.30	155.42	164.53	182.76	205.51
200	709.30	28.051	237.30	255.43	273.54	291.62	309.67	327.59	363.62	408.32
300	759.30	30.051	354.65	381.53	408.32	435.01	461.60	488.08	540.70	605.74
400	809.30	32.051	455.29	488.99	522.46	555.67	588.62	621.29	685.74	764.49
500	859.30	34.051	541.30	580.64	619.53	657.95	695.87	733.26	806.35	894.25
600	909.30	36.051	621.29	665.35	708.66	751.17	792.84	833.61	912.25	1004.62
700	959.30	38.051	695.40	743.20	789.83	835.20	879.24	921.87	1002.58	1094.10
800	1009.30	40.051	763.59	814.05	862.78	909.64	954.53	997.32	1076.15	1160.77
900	1059.30	42.051	825.67	877.61	927.09	973.93	1017.97	1059.05	1131.59	1202.53
1000	1109.30	44.051	881.38	933.50	982.26	1027.42	1068.75	1106.01	1167.41	1217.12
1100	1159.30	46.051	930.40	981.30	1027.73	1069.39	1105.96	1137.13	1182.02	1202.19
1200	1209.30	48.051	972.37	1020.52	1062.88	1099.06	1128.64	1151.22	1173.77	...
1400	1259.30	50.051	1033.58	1071.18	1099.62	1118.26	1162.45
1600	1309.30	52.051	1061.68	1081.18	1087.03
1800	1359.30	54.051	1053.10
2000	1409.30	56.051
340mm (13.39 in.) wide belt (20M-340)										
No. of Teeth	PD		52	56	60	64	68	72	80	90
	mm	in.								
870	331.04	13.033	954.52	1015.63	1074.12	1129.82	1182.55	1232.13	1321.11	1411.41
960	356.51	14.036	1016.33	1078.16	1136.51	1191.11	1241.74	1288.14	1367.32	1438.22
1160	381.97	15.038	1130.90	1189.59	1242.15	1288.15	1327.16	1358.76	1397.98	...
1460	407.44	16.041	1237.44	1277.01	1304.41	1318.78	1319.27
1750	432.89	17.043	1254.78	1256.21
10	458.37	18.046	14.06	15.14	16.22	17.30	18.38	19.46	21.62	24.33
20	509.30	20.051	28.11	30.27	32.43	34.60	36.76	38.92	43.24	48.65
40	559.30	22.051	56.22	60.54	64.86	69.18	73.51	77.83	86.47	97.27
60	609.30	24.051	84.31	90.79	97.27	103.75	110.23	116.71	129.66	145.85
100	659.30	26.051	140.45	151.24	162.02	172.80	183.57	194.34	215.87	242.74
200	709.30	28.051	280.30	301.72	323.11	344.46	365.79	387.07	429.51	482.32
300	759.30	30.051	418.92	450.67	482.32	513.86	545.27	576.56	638.72	715.58
400	809.30	32.051	537.82	577.64	617.18	656.42	695.36	733.97	810.15	903.24
500	859.30	34.051	639.46	685.95	731.91	777.32	822.15	866.35	952.78	1056.74
600	909.30	36.051	734.00	786.09	837.29	887.56	936.84	985.06	1078.11	1187.47
700	959.30	38.051	821.64	878.17	933.32	986.99	1039.11	1089.57	1185.15	1293.65
800	1009.30	40.051	902.31	962.01	1019.67	1075.15	1128.32	1179.03	1272.51	1373.06
900	1059.30	42.051	975.80	1037.29	1095.89	1151.40	1203.63	1252.37	1338.60	1423.24
1000	1109.30	44.051	1041.81	1103.56	1161.37	1214.96	1264.06	1308.39	1381.66	1441.54
1100	1159.30	46.051	1099.96	1160.63	1215.46	1265.00	1308.57	1345.80	1399.82	1425.21
1200	1209.30	48.051	1149.83	1207.03	1257.45	1300.60	1336.03	1363.25	1391.17	...
1400	1259.30	50.051	1222.91	1267.83	1302.02	1324.72	1335.16
1600	1309.30	52.051	1257.12	1280.92	1288.72
1800	1359.30	54.051	1248.30
2000	1409.30	56.051

Drives falling within the shaded area may be considered noisy and require a sound dampening guard to reduce noise emission. RPP® is a registered trademark of Carlisle Power Transmission Products, Inc.

8 mm RPP® Plus Belt Horsepower Ratings



The following tables represent the horsepower ratings for each belt at the pre-determined No. of Teeth, Pitch Diameters and rpm's. These ratings must be multiplied by the applicable belt length factor to obtain corrected HP rating.

		20mm (.79 in.) wide belt (8M-20)																
No. of Teeth	PD	22	24	26	28	30	32	34	36	38	40	44	48	56	64	72	80	
		mm in.	56.02 2.206	61.12 2.406	66.21 2.607	71.30 2.807	76.39 3.008	81.49 3.208	86.58 3.409	91.67 3.609	96.77 3.810	101.86 4.010	112.05 4.411	122.23 4.812	142.60 5.614	162.97 6.416	183.35 7.218	203.72 8.020
Smallest Sprocket RPM	1160	4.41	4.86	5.32	5.78	6.24	6.70	7.17	7.64	8.12	8.59	9.55	10.52	12.47	14.45	16.44	18.44	
	1460	5.24	5.77	6.31	6.85	7.40	7.95	8.50	9.06	9.62	10.18	11.31	12.44	14.73	17.04	19.35	21.66	
	1750	5.99	6.60	7.22	7.83	8.46	9.08	9.71	10.34	10.98	11.61	12.89	14.18	16.75	19.33	21.90	24.45	
	2900	8.68	9.55	10.42	11.30	12.17	13.05	13.92	14.80	15.67	16.54	18.27	19.98	23.31	26.51	29.53	32.33	
	3500	9.93	10.92	11.90	12.88	13.86	14.83	15.80	16.77	17.72	18.67	20.53	22.35	25.81	28.98	
	10	0.07	0.08	0.08	0.09	0.10	0.10	0.11	0.12	0.12	0.13	0.14	0.15	0.18	0.21	0.23	0.26	
	20	0.14	0.15	0.17	0.18	0.19	0.21	0.22	0.23	0.24	0.26	0.28	0.31	0.36	0.41	0.46	0.51	
	40	0.28	0.31	0.33	0.36	0.39	0.41	0.44	0.46	0.49	0.51	0.57	0.62	0.72	0.82	0.93	1.03	
	60	0.42	0.46	0.50	0.54	0.58	0.62	0.66	0.70	0.73	0.77	0.85	0.93	1.08	1.24	1.39	1.54	
	100	0.70	0.77	0.84	0.90	0.97	1.03	1.09	1.16	1.22	1.29	1.42	1.54	1.80	2.06	2.32	2.57	
	200	1.18	1.30	1.43	1.55	1.67	1.80	1.93	2.05	2.18	2.31	2.57	2.83	3.37	3.91	4.46	5.02	
	300	1.60	1.77	1.93	2.10	2.27	2.44	2.61	2.78	2.96	3.13	3.48	3.84	4.56	5.30	6.04	6.80	
	400	1.99	2.19	2.40	2.60	2.81	3.02	3.24	3.45	3.67	3.88	4.32	4.76	5.66	6.57	7.49	8.43	
	500	2.35	2.59	2.83	3.08	3.33	3.57	3.83	4.08	4.33	4.59	5.11	5.63	6.69	7.76	8.85	9.96	
	600	2.69	2.97	3.25	3.53	3.81	4.10	4.39	4.67	4.97	5.26	5.85	6.45	7.66	8.89	10.14	11.40	
	800	3.34	3.68	4.03	4.38	4.73	5.08	5.44	5.80	6.16	6.52	7.25	7.99	9.49	11.01	12.54	14.09	
	1000	3.95	4.35	4.76	5.17	5.58	6.00	6.42	6.84	7.27	7.70	8.56	9.43	11.19	12.97	14.77	16.58	
	1200	4.53	4.99	5.45	5.92	6.40	6.87	7.35	7.84	8.32	8.81	9.79	10.78	12.79	14.81	16.85	18.89	
	1400	5.08	5.59	6.12	6.64	7.17	7.71	8.24	8.78	9.32	9.87	10.97	12.07	14.30	16.54	18.79	21.04	
	1600	5.61	6.18	6.75	7.33	7.92	8.50	9.09	9.69	10.28	10.88	12.09	13.30	15.73	18.17	20.61	23.04	
	2000	6.62	7.29	7.96	8.64	9.32	10.01	10.70	11.39	12.09	12.78	14.18	15.58	18.37	21.15	23.90	26.60	
	2500	7.79	8.58	9.37	10.16	10.96	11.76	12.55	13.36	14.16	14.96	16.55	18.15	21.29	24.36	27.34	30.19	
	4000	10.91	11.97	13.04	14.09	15.14	16.18	17.21	18.22	19.23	20.21	22.13	23.97	27.37	
	6000	14.24	15.52	16.76	17.97	19.13	20.24	21.30	22.30	23.24	24.10	
	8000	16.71	17.91	19.09	20.16	21.11	
			30mm (1.18 in.) wide belt (8M-30)															
	Smallest Sprocket RPM	1160	6.97	7.68	8.40	9.13	9.86	10.59	11.33	12.08	12.83	13.58	15.10	16.63	19.72	22.84	26.00	29.17
		1460	8.28	9.12	9.97	10.83	11.69	12.56	13.44	14.32	15.20	16.09	17.87	19.67	23.30	26.95	30.61	34.27
1750		9.47	10.43	11.40	12.38	13.37	14.36	15.35	16.35	17.35	18.36	20.38	22.42	26.50	30.59	34.67	38.71	
2900		13.73	15.10	16.48	17.87	19.25	20.64	22.03	23.42	24.80	26.18	28.93	31.65	36.97	42.09	46.94	51.48	
3500		15.71	17.27	18.82	20.38	21.93	23.48	25.02	26.55	28.08	29.59	32.56	35.47	41.02	46.15	
10		0.11	0.12	0.13	0.14	0.15	0.16	0.17	0.18	0.19	0.20	0.22	0.24	0.28	0.33	0.37	0.41	
20		0.22	0.24	0.26	0.28	0.31	0.33	0.35	0.37	0.39	0.41	0.45	0.49	0.57	0.65	0.73	0.81	
40		0.45	0.49	0.53	0.57	0.61	0.65	0.69	0.73	0.77	0.81	0.89	0.98	1.14	1.30	1.46	1.63	
60		0.67	0.73	0.79	0.85	0.92	0.98	1.04	1.10	1.16	1.22	1.34	1.46	1.71	1.95	2.20	2.44	
100		1.11	1.22	1.32	1.42	1.53	1.63	1.73	1.83	1.93	2.03	2.24	2.44	2.85	3.25	3.66	4.07	
200		1.87	2.06	2.25	2.45	2.64	2.84	3.04	3.24	3.45	3.65	4.06	4.48	5.32	6.18	7.05	7.93	
300		2.53	2.79	3.05	3.32	3.58	3.85	4.12	4.39	4.67	4.95	5.50	6.07	7.21	8.37	9.55	10.74	
400		3.14	3.46	3.79	4.12	4.45	4.78	5.11	5.45	5.79	6.13	6.83	7.52	8.94	10.38	11.84	13.32	
500		3.71	4.09	4.48	4.86	5.25	5.65	6.05	6.44	6.85	7.25	8.07	8.89	10.56	12.26	13.99	15.73	
600		4.26	4.69	5.13	5.58	6.02	6.47	6.93	7.39	7.85	8.31	9.24	10.19	12.10	14.05	16.02	18.01	
800		5.28	5.82	6.37	6.92	7.47	8.03	8.59	9.16	9.73	10.30	11.46	12.63	14.99	17.39	19.82	22.28	
1000		6.24	6.88	7.52	8.17	8.82	9.48	10.15	10.82	11.49	12.16	13.53	14.90	17.68	20.50	23.35	26.22	
1200		7.15	7.88	8.62	9.36	10.11	10.86	11.62	12.38	13.15	13.92	15.48	17.05	20.21	23.41	26.64	29.88	
1400		8.02	8.84	9.67	10.50	11.33	12.18	13.03	13.88	14.74	15.60	17.33	19.08	22.60	26.16	29.72	33.30	
1600		8.86	9.76	10.67	11.59	12.51	13.44	14.37	15.31	16.26	17.20	19.11	21.02	24.87	28.74	32.62	36.48	
2000		10.45	11.51	12.58	13.66	14.74	15.83	16.92	18.01	19.11	20.22	22.43	24.64	29.07	33.49	37.86	42.16	
2500		12.32	13.56	14.81	16.07	17.33	18.59	19.86	21.12	22.39	23.66	26.20	28.72	33.72	38.62	43.38	47.95	
4000		17.26	18.95	20.63	22.31	23.97	25.63	27.27	28.89	30.49	32.07	35.15	38.10	43.60	
6000		22.57	24.62	26.61	28.54	30.41	32.21	33.92	35.55	37.09	38.52	
8000		26.58	28.53	30.45	32.22	33.80	

Drives falling within the shaded area may be considered noisy and require a sound dampening guard to reduce noise emission.
RPP® PLUS is a trademark of Carlisle Power Transmission Products, Inc.



8 mm RPP® Plus Belt Horsepower Ratings

The following tables represent the horsepower ratings for each belt at the pre-determined No. of Teeth, Pitch Diameters and rpm's. These ratings must be multiplied by the applicable belt length factor to obtain corrected HP rating.

50mm (1.97 in.) wide belt (8M-50)															
No. of Teeth	PD	28	30	32	34	36	38	40	44	48	56	64	72	80	
		mm in.	71.30 2.807	76.39 3.008	81.49 3.208	86.58 3.409	91.67 3.609	96.77 3.810	101.86 4.010	112.05 4.411	122.23 4.812	142.60 5.614	162.97 6.416	183.35 7.218	203.72 8.020
Smallest Sprocket RPM	1160	15.83	17.10	18.37	19.66	20.95	22.25	23.55	26.18	28.84	34.20	39.63	45.11	50.61	
	1460	18.78	20.28	21.79	23.31	24.83	26.37	27.91	31.01	34.13	40.43	46.77	53.13	59.50	
	1750	21.48	23.18	24.90	26.63	28.36	30.11	31.86	35.37	38.90	46.00	53.11	60.20	67.25	
	2900	31.01	33.42	35.83	38.25	40.66	43.07	45.47	50.25	54.99	64.28	73.24	81.77	89.78	
	3500	35.38	38.08	40.78	43.46	46.13	48.78	51.42	56.61	61.70	71.44	80.48	
	10	0.25	0.26	0.28	0.30	0.32	0.34	0.35	0.39	0.42	0.49	0.56	0.63	0.71	
	20	0.49	0.53	0.56	0.60	0.63	0.67	0.71	0.78	0.85	0.99	1.13	1.27	1.41	
	40	0.99	1.06	1.13	1.20	1.27	1.34	1.41	1.55	1.69	1.98	2.26	2.57	2.82	
	60	1.48	1.59	1.69	1.80	1.90	2.01	2.12	2.33	2.54	2.96	3.39	3.81	4.23	
	100	2.47	2.65	2.82	3.00	3.17	3.35	3.53	3.88	4.23	4.94	5.64	6.35	7.05	
	200	4.24	4.59	4.93	5.28	5.62	5.97	6.33	7.04	7.76	9.22	10.71	12.22	13.75	
	300	5.75	6.21	6.68	7.15	7.62	8.10	8.58	9.54	10.52	12.50	14.51	16.56	18.63	
	400	7.14	7.71	8.29	8.87	9.46	10.05	10.64	11.84	13.05	15.50	18.00	20.53	23.10	
	500	8.44	9.11	9.80	10.48	11.18	11.87	12.57	13.99	15.42	18.32	21.27	24.26	27.28	
	600	9.67	10.45	11.23	12.02	12.81	13.61	14.41	16.03	17.67	20.99	24.36	27.78	31.24	
	800	11.99	12.96	13.92	14.90	15.88	16.87	17.87	19.87	21.90	26.00	30.17	34.38	38.64	
	1000	14.17	15.31	16.45	17.60	18.76	19.92	21.10	23.46	25.84	30.67	35.56	40.50	45.48	
	1200	16.23	17.53	18.84	20.16	21.48	22.81	24.15	26.85	29.57	35.06	40.62	46.22	51.85	
	1400	18.21	19.66	21.12	22.60	24.08	25.56	27.06	30.07	33.10	39.22	45.39	51.59	57.80	
	1600	20.10	21.70	23.31	24.93	26.56	28.20	29.84	33.15	36.47	43.17	49.89	56.63	63.34	
	2000	23.69	25.57	27.46	29.35	31.26	33.16	35.08	38.92	42.77	50.48	58.16	65.77	73.27	
	2500	27.87	30.06	32.26	34.46	36.66	38.87	41.08	45.49	49.88	58.60	67.14	75.46	83.48	
	4000	38.74	41.65	44.53	47.39	50.22	53.01	55.77	61.17	66.37	76.06	
	6000	49.69	52.97	56.14	59.17	62.06	64.80	67.36	
	8000	56.32	59.17	
	85mm (3.35 in.) wide belt (8M-85)														
	Smallest Sprocket RPM	1160	34.22	36.47	38.73	41.01	45.59	50.21	59.56	69.01	78.55	88.14
		1460	40.58	43.24	45.91	48.59	53.99	59.43	70.40	81.45	92.54	103.65
1750		46.37	49.39	52.42	55.47	61.59	67.75	80.11	92.51	104.88	117.18	
2900		66.62	70.83	75.03	79.22	87.57	95.85	112.09	127.77	142.72	156.80	
3500		75.73	80.39	85.02	89.62	98.70	107.60	124.67	140.56	
10		0.52	0.55	0.58	0.61	0.68	0.74	0.86	0.98	1.11	1.23	
20		1.04	1.11	1.17	1.23	1.35	1.47	1.72	1.97	2.21	2.46	
40		2.09	2.21	2.33	2.46	2.70	2.95	3.44	3.93	4.42	4.91	
60		3.13	3.32	3.50	3.68	4.05	4.42	5.16	5.90	6.63	7.37	
100		5.22	5.53	5.83	6.14	6.76	7.37	8.60	9.83	11.05	12.28	
200		9.18	9.79	10.40	11.02	12.26	13.51	16.06	18.65	21.28	23.94	
300		12.45	13.27	14.10	14.93	16.61	18.31	21.76	25.27	28.83	32.43	
400		15.44	16.46	17.49	18.52	20.61	22.71	26.99	31.34	35.75	40.22	
500		18.25	19.46	20.67	21.89	24.35	26.84	31.89	37.02	42.23	47.50	
600		20.92	22.30	23.69	25.09	27.91	30.76	36.54	42.42	48.37	54.40	
800		25.94	27.65	29.37	31.11	34.60	38.12	45.27	52.52	59.87	67.28	
1000		30.64	32.66	34.69	36.73	40.84	45.00	53.40	61.92	70.52	79.20	
1200		35.09	37.40	39.72	42.05	46.75	51.48	61.05	70.73	80.49	90.30	
1400		39.34	41.92	44.51	47.12	52.36	57.64	68.30	79.04	89.85	100.67	
1600		43.41	46.25	49.10	51.96	57.72	63.51	75.18	86.90	98.64	110.36	
2000		51.11	54.43	57.75	61.09	67.78	74.49	87.93	101.33	114.62	127.73	
2500		60.01	63.86	67.70	71.55	79.24	86.91	102.12	117.05	131.60	145.65	
4000		82.60	87.54	92.44	97.26	106.71	115.82	132.86	
6000		103.36	108.45	113.29	117.83	
8000		

Drives falling within the shaded area may be considered noisy and require a sound dampening guard to reduce noise emission.
RPP® PLUS is a trademark of Carlisle Power Transmission Products, Inc.

14 mm RPP® Plus Belt Horsepower Ratings



The following tables represent the horsepower ratings for each belt at the pre-determined No. of Teeth, Pitch Diameters and rpm's. These ratings must be multiplied by the applicable belt length factor to obtain corrected HP rating.

		40mm (1.57 in.) wide belt (14M-40)																
No. of Teeth	PD mm in.	28	29	30	32	34	36	38	40	44	48	52	56	60	64	68	72	80
		4.912	5.088	5.263	5.614	5.965	6.316	6.667	7.018	7.720	8.421	9.123	9.825	10.527	11.229	11.930	12.632	14.036
Smallest Sprocket RPM	1160	28.94	30.14	31.36	33.80	36.26	38.73	41.23	43.74	48.79	53.89	59.01	64.16	69.31	74.47	79.63	84.77	94.99
	1460	34.19	35.60	37.02	39.86	42.73	45.61	48.50	51.40	57.21	63.04	68.85	74.65	80.42	86.13	91.78	97.37	108.26
	1750	38.88	40.47	42.06	45.24	48.44	51.65	54.85	58.05	64.44	70.79	77.07	83.26	89.34	95.29	101.10	106.74	117.43
	2900	54.18	56.21	58.22	62.19	66.09	69.89	73.60	77.19	84.01	90.26
	3500	60.06	62.14	64.18	68.14	71.93	75.53	78.93	82.10
	10	0.53	0.54	0.56	0.60	0.64	0.68	0.71	0.75	0.83	0.90	0.98	1.05	1.13	1.20	1.28	1.35	1.50
	20	1.05	1.09	1.13	1.20	1.28	1.35	1.43	1.50	1.65	1.80	1.95	2.10	2.25	2.40	2.55	2.70	3.00
	40	2.10	2.18	2.25	2.40	2.55	2.70	2.85	3.00	3.30	3.60	3.90	4.21	4.51	4.81	5.11	5.41	6.01
	60	3.15	3.27	3.38	3.60	3.83	4.06	4.28	4.51	4.96	5.41	5.86	6.31	6.76	7.21	7.66	8.11	9.01
	100	4.64	4.84	5.04	5.43	5.84	6.25	6.66	7.07	7.91	8.77	9.64	10.51	11.26	12.01	12.76	13.51	15.02
	200	7.81	8.14	8.47	9.14	9.82	10.50	11.19	11.89	13.31	14.74	16.20	17.68	19.18	20.70	22.23	23.78	26.92
	300	10.58	11.03	11.48	12.38	13.30	14.23	15.16	16.11	18.02	19.97	21.94	23.95	25.97	28.02	30.09	32.18	36.43
	400	13.12	13.68	14.23	15.36	16.49	17.64	18.80	19.97	22.35	24.75	27.20	29.67	32.18	34.71	37.27	39.85	45.09
	500	15.50	16.16	16.82	18.14	19.49	20.84	22.21	23.59	26.39	29.23	32.10	35.02	37.96	40.94	43.95	46.98	53.12
	600	17.76	18.51	19.27	20.79	22.32	23.87	25.44	27.01	30.21	33.45	36.73	40.06	43.41	46.80	50.22	53.67	60.64
	800	22.00	22.93	23.86	25.73	27.63	29.54	31.46	33.41	37.33	41.31	45.33	49.39	53.49	57.62	61.77	65.94	74.35
	1000	25.95	27.04	28.13	30.33	32.55	34.79	37.04	39.31	43.89	48.52	53.19	57.90	62.62	67.37	72.13	76.90	86.44
	1200	29.66	30.90	32.14	34.64	37.15	39.69	42.24	44.81	49.97	55.17	60.40	65.65	70.90	76.15	81.39	86.61	96.97
1400	33.17	34.54	35.92	38.69	41.48	44.29	47.10	49.93	55.60	61.30	66.99	72.68	78.34	83.97	89.55	95.08	105.91	
1600	36.50	38.00	39.50	42.52	45.55	48.59	51.64	54.70	60.81	66.91	72.98	79.00	84.95	90.82	96.59	102.25	113.16	
1800	39.65	41.27	42.89	46.13	49.38	52.63	55.88	59.13	65.60	72.02	78.35	84.59	90.69	96.66	102.45	108.06	...	
2000	42.65	44.37	46.08	49.52	52.96	56.39	59.81	63.22	69.96	76.60	83.09	89.42	95.54	101.43	107.07	
2500	49.45	51.37	53.29	57.10	60.87	64.60	68.28	71.90	78.94	85.66	92.01	97.94	
3000	55.26	57.31	59.34	63.33	67.23	71.03	74.71	78.27	84.96	
4000	63.77	65.78	67.72	71.41	74.82	
		55mm (2.17 in.) wide belt (14M-55)																
Smallest Sprocket RPM	1160	42.33	44.09	45.87	49.44	53.05	56.68	60.33	64.01	71.42	78.89	86.41	93.97	101.54	109.13	116.72	124.30	139.38
	1460	50.02	52.09	54.17	58.34	62.55	66.77	71.01	75.26	83.81	92.37	100.94	109.48	117.99	126.43	134.80	143.07	159.27
	1750	56.92	59.24	61.58	66.26	70.95	75.66	80.37	85.09	94.50	103.86	113.14	122.31	131.34	140.20	148.86	157.30	173.40
	2900	79.55	82.55	85.53	91.42	97.22	102.89	108.43	113.83	124.12	133.64
	3500	88.40	91.50	94.55	100.49	106.21	111.67	116.86	121.74
	10	0.77	0.80	0.82	0.88	0.93	0.99	1.04	1.10	1.21	1.32	1.43	1.54	1.65	1.76	1.87	1.98	2.20
	20	1.54	1.59	1.65	1.76	1.87	1.98	2.09	2.20	2.42	2.63	2.85	3.07	3.29	3.51	3.73	3.95	4.39
	40	3.07	3.18	3.29	3.51	3.73	3.95	4.17	4.39	4.83	5.27	5.71	6.15	6.59	7.03	7.47	7.90	8.78
	60	4.61	4.78	4.94	5.27	5.60	5.93	6.26	6.59	7.25	7.90	8.56	9.22	9.88	10.54	11.20	11.86	13.17
	100	6.79	7.07	7.36	7.95	8.54	9.13	9.73	10.34	11.57	12.82	14.09	15.37	16.47	17.56	18.66	19.76	21.95
	200	11.41	11.90	12.38	13.36	14.35	15.35	16.36	17.38	19.45	21.55	23.69	25.85	28.04	30.26	32.50	34.76	39.36
	300	15.47	16.12	16.78	18.10	19.45	20.80	22.17	23.55	26.35	29.20	32.08	35.01	37.97	40.97	44.00	47.06	53.27
	400	19.18	19.99	20.81	22.45	24.12	25.80	27.49	29.20	32.67	36.20	39.77	43.39	47.05	50.76	54.50	58.28	65.94
	500	22.67	23.63	24.59	26.53	28.49	30.47	32.48	34.49	38.58	42.74	46.95	51.21	55.52	59.88	64.28	68.72	77.70
	600	25.98	27.07	28.17	30.39	32.64	34.91	37.19	39.50	44.18	48.92	53.72	58.59	63.50	68.46	73.47	78.52	88.72
	800	32.18	33.53	34.89	37.63	40.40	43.20	46.02	48.86	54.61	60.43	66.32	72.27	78.27	84.32	90.41	96.53	108.86
	1000	37.95	39.54	41.14	44.36	47.61	50.89	54.19	57.51	64.23	71.01	77.86	84.75	91.69	98.66	105.65	112.66	126.70
	1200	43.39	45.20	47.02	50.67	54.36	58.08	61.81	65.57	73.15	80.78	88.46	96.17	103.89	111.61	119.33	127.03	142.33
1400	48.53	50.54	52.56	56.62	60.71	64.82	68.96	73.10	81.44	89.81	98.19	106.56	114.91	123.22	131.47	139.64	155.71	
1600	53.42	55.61	57.82	62.25	66.70	71.16	75.64	80.13	89.13	98.11	107.06	115.95	124.75	133.45	142.02	150.44	166.75	
1800	58.06	60.42	62.80	67.56	72.33	77.11	81.90	86.68	96.22	105.69	115.06	124.30	133.38	142.27	150.93	159.34	...	
2000	62.46	64.99	67.51	72.57	77.62	82.68	87.72	92.74	102.71	112.54	122.18	131.60	140.75	149.60	158.10	
2500	72.51	75.34	78.17	83.79	89.38	94.90	100.36	105.74	116.24	126.32	135.89	144.90	
3000	81.17	84.20	87.20	93.14	98.95	104.63	110.15	115.51	125.65	
4000	94.11	97.14	100.09	105.71	110.96	

Drives falling within the shaded area may be considered noisy and require a sound dampening guard to reduce noise emission.
RPP® PLUS is a trademark of Carlisle Power Transmission Products, Inc.



14 mm RPP® Plus Belt Horsepower Ratings

The following tables represent the horsepower ratings for each belt at the pre-determined No. of Teeth, Pitch Diameters and rpm's. These ratings must be multiplied by the applicable belt length factor to obtain corrected HP rating.

85mm (3.35 in.) wide belt (14M-85)																			
No. of Teeth																			
	28	29	30	32	34	36	38	40	44	48	52	56	60	64	68	72	80		
PD	mm	124.78	129.23	133.69	142.60	151.51	160.43	169.34	178.25	196.08	213.90	231.73	249.55	267.38	285.21	303.03	320.86	356.51	
	in.	4.912	5.088	5.263	5.614	5.965	6.316	6.667	7.018	7.720	8.421	9.123	9.825	10.527	11.229	11.930	12.632	14.036	
Smallest Sprocket RPM	1160	69.08	71.96	74.86	80.70	86.59	92.52	98.49	104.50	116.62	128.84	141.15	153.52	165.94	178.38	190.82	203.26	228.05	
	1460	81.66	85.05	88.44	95.27	102.14	109.04	115.98	122.95	136.94	150.98	165.03	179.06	193.04	206.94	220.73	234.38	261.18	
	1750	92.95	96.76	100.57	108.24	115.93	123.64	131.37	139.10	154.55	169.93	185.21	200.33	215.24	229.90	244.26	258.30	285.20	
	2900	130.22	135.17	140.08	149.82	159.40	168.81	178.02	187.01	204.23	220.30	
	3500	145.00	150.14	155.22	165.13	174.69	183.87	192.62	200.91
	10	1.25	1.30	1.34	1.43	1.52	1.61	1.70	1.79	1.97	2.15	2.33	2.51	2.69	2.87	3.04	3.22	3.58	
	20	2.51	2.60	2.69	2.87	3.04	3.22	3.40	3.58	3.94	4.30	4.66	5.01	5.37	5.73	6.09	6.45	7.16	
	40	5.01	5.19	5.37	5.73	6.09	6.45	6.81	7.16	7.88	8.60	9.31	10.03	10.75	11.46	12.18	12.90	14.33	
	60	7.52	7.79	8.06	8.60	9.13	9.67	10.21	10.75	11.82	12.90	13.97	15.04	16.12	17.19	18.27	19.34	21.49	
	100	11.07	11.54	12.01	12.96	13.92	14.89	15.88	16.87	18.87	20.91	22.99	25.07	26.86	28.65	30.44	32.23	35.81	
	200	18.62	19.41	20.20	21.80	23.41	25.05	26.69	28.36	31.73	35.16	38.64	42.17	45.75	49.36	53.02	56.72	64.21	
	300	25.23	26.30	27.37	29.54	31.72	33.94	36.17	38.42	42.99	47.63	52.34	57.12	61.95	66.84	71.79	76.78	86.91	
	400	31.30	32.62	33.95	36.63	39.34	42.09	44.85	47.65	53.30	59.05	64.88	70.79	76.77	82.82	88.93	95.10	107.60	
	500	36.98	38.54	40.11	43.28	46.48	49.72	52.98	56.28	62.95	69.73	76.60	83.56	90.59	97.71	104.89	112.14	126.81	
	600	42.38	44.16	45.96	49.59	53.25	56.95	60.69	64.45	72.08	79.82	87.67	95.60	103.63	111.73	119.91	128.16	144.83	
	800	52.50	54.71	56.93	61.41	65.93	70.49	75.10	79.74	89.12	98.63	108.25	117.97	127.78	137.67	147.62	157.63	177.80	
1000	61.93	64.53	67.14	72.40	77.70	83.05	88.45	93.88	104.85	115.94	127.13	138.41	149.76	161.17	172.62	184.10	207.12		
1200	70.81	73.77	76.74	82.71	88.74	94.81	100.92	107.07	119.45	131.95	144.51	157.14	169.79	182.46	195.13	207.77	232.93		
1400	79.23	82.51	85.81	92.45	99.13	105.86	112.62	119.41	133.05	146.76	160.50	174.24	187.96	201.62	215.19	228.67	255.20		
1600	87.21	90.81	94.41	101.66	108.94	116.25	123.59	130.95	145.69	160.43	175.13	189.75	204.26	218.61	232.77	246.71	273.79		
1800	94.82	98.69	102.57	110.37	118.19	126.03	133.87	141.72	157.38	172.96	188.40	203.65	218.65	233.37	247.76	261.77	...		
2000	102.05	106.18	110.31	118.60	126.90	135.19	143.47	151.72	168.13	184.34	200.27	215.87	231.08	245.82	260.05		
2500	118.58	123.23	127.87	137.13	146.32	155.43	164.45	173.35	190.76	207.53	223.55	238.70		
3000	132.91	137.91	142.87	152.69	162.32	171.75	180.95	189.89	206.92		
4000	154.72	159.79	164.73	174.23	183.15		
115mm (4.53 in.) wide belt (14M-115)																			
Smallest Sprocket RPM	1160	95.83	9.83	103.86	111.96	120.13	128.36	136.65	144.99	161.82	178.79	195.89	213.08	230.33	247.62	264.93	282.23	316.71	
	1460	113.30	118.00	122.71	132.19	141.73	151.32	160.96	170.64	190.08	209.59	229.13	248.65	268.10	287.45	306.66	325.69	363.08	
	1750	128.98	134.27	139.57	150.21	160.90	171.62	182.36	193.10	214.59	236.01	257.28	278.34	299.13	319.60	339.67	359.29	396.99	
	2900	180.90	187.78	194.64	208.21	221.59	234.73	247.61	260.19	284.35	306.95	
	3500	201.60	208.79	215.89	229.76	243.17	256.06	268.39	280.09	
	10	1.74	1.80	1.86	1.99	2.11	2.24	2.36	2.48	2.73	2.98	3.23	3.48	3.73	3.97	4.22	4.47	4.97	
	20	3.48	3.60	3.73	3.97	4.22	4.47	4.72	4.97	5.47	5.96	6.46	6.96	7.45	7.95	8.45	8.94	9.94	
	40	6.96	7.20	7.45	7.95	8.45	8.94	9.44	9.94	10.93	11.92	12.92	13.91	14.90	15.90	16.89	17.89	19.87	
	60	10.43	10.81	11.18	11.92	12.67	13.41	14.16	14.90	16.40	17.89	19.38	20.87	22.36	23.85	25.34	26.83	29.81	
	100	15.36	16.01	16.66	17.98	19.31	20.66	22.02	23.39	26.18	29.01	31.88	34.77	37.26	39.74	42.22	44.71	49.67	
	200	25.83	26.92	28.02	30.23	32.47	34.74	37.03	39.34	44.02	48.77	53.90	58.49	63.45	68.47	73.54	78.67	89.06	
	300	35.00	36.48	37.93	40.97	44.00	47.07	50.17	53.29	59.63	66.07	72.60	79.23	85.93	92.71	99.57	106.50	120.55	
	400	43.41	45.24	47.09	50.81	54.57	58.37	62.21	66.09	73.94	81.91	90.00	98.19	106.49	114.88	123.35	131.91	149.26	
	500	51.30	53.46	55.64	60.03	64.47	68.96	73.49	78.06	87.32	96.72	106.25	115.90	125.67	135.54	145.50	155.56	175.93	
	600	58.78	61.26	63.75	68.78	73.86	79.00	84.18	89.40	99.99	110.73	121.61	132.62	143.76	155.01	166.35	177.80	200.94	
	800	72.83	75.89	78.97	85.18	91.45	97.78	104.17	110.61	123.64	136.83	150.19	163.68	177.29	191.01	204.83	218.73	246.75	
1000	85.91	89.52	93.14	100.43	107.79	115.22	122.70	130.24	145.47	160.86	176.40	192.07	207.83	223.68	239.59	255.55	287.54		
1200	98.24	102.34	106.46	114.75	123.12	131.54	140.03	148.56	165.76	183.11	200.57	218.11	235.70	253.31	270.93	288.52	323.53		
1400	109.92	114.48	119.06	128.27	137.56	146.89	156.28	165.71	184.66	203.72	222.82	241.93	261.00	280.01	298.92	317.69	354.70		
1600	121.01	126.00	131.01	141.07	151.18	161.34	171.54	181.76	202.25	222.75	243.21	263.56	283.76	303.77	323.52	342.98	380.84		
1800	131.58	136.96	142.35	153.18	164.05	174.94	185.58	196.76	218.55	240.23	261.73	282.99	303.93	324.48	344.60	364.21	...		
2000	141.63	147.37	153.12	164.64	176.17	187.70	199.22	210.71	233.55	256.13	278.36	300.15	321.40	342.04	361.99		
2500	164.64	171.12	177.58	190.46	203.26	215.96	228.53	240.96	265.27	288.74	311.20	332.50		
3000	184.66	191.62	198.55	212.24	225.69	238.87	251.75	264.28	288.19		
4000	215.32	222.44	229.38	242.74	255.33		

Drives falling within the shaded area may be considered noisy and require a sound dampening guard to reduce noise emission. RPP® Plus is a trademarks of Carlisle Power Transmission Products, Inc.

14 mm RPP® Plus Belt Horsepower Ratings



The following tables represent the horsepower ratings for each belt at the pre-determined No. of Teeth, Pitch Diameters and rpm's. These ratings must be multiplied by the applicable belt length factor to obtain corrected HP rating.

		170mm (6.69 in.) wide belt (14M-170)											
No. of Teeth		36	38	40	44	48	52	56	60	64	68	72	80
	PD	mm	160.43	169.34	178.25	196.08	213.90	231.73	249.55	267.38	285.21	303.03	320.86
	in.	6.316	6.667	7.018	7.720	8.421	9.123	9.825	10.527	11.229	11.930	12.632	14.036
Smallest Sprocket RPM	1160	194.06	206.60	219.22	244.67	270.36	296.23	322.25	348.37	374.56	400.77	426.98	479.26
	1460	228.82	243.40	258.05	287.48	317.03	346.62	376.20	405.69	435.04	464.19	493.08	549.88
	1750	259.57	275.83	292.11	324.67	357.13	389.39	421.35	452.93	484.03	514.56	544.44	601.92
	2900	355.58	375.18	394.35	431.21	465.80
	3500	388.41	407.28	425.24
	10	3.38	3.57	3.75	4.13	4.51	4.88	5.26	5.63	6.01	6.38	6.76	7.51
	20	6.76	7.13	7.51	8.26	9.01	9.76	10.51	11.26	12.02	12.77	13.52	15.02
	40	13.52	14.27	15.02	16.52	18.02	19.52	21.03	22.53	24.03	25.53	27.03	30.04
	60	20.28	21.40	22.53	24.78	27.03	29.29	31.54	33.79	36.04	38.30	40.55	45.05
	100	31.23	33.28	35.36	39.57	43.85	48.19	52.56	56.32	60.07	63.82	67.58	75.08
	200	52.51	55.96	59.46	66.53	72.72	81.02	88.42	95.91	103.49	111.16	118.90	134.62
	300	71.15	75.83	80.55	90.13	99.86	109.74	119.75	129.89	140.14	150.51	160.98	182.22
	400	88.23	94.04	99.89	111.76	123.81	136.04	148.43	160.97	173.65	186.46	199.40	225.62
	500	104.24	111.09	118.00	131.99	146.20	160.61	175.20	189.96	204.89	219.95	235.16	265.95
	600	119.41	127.24	135.14	151.14	167.38	183.83	200.48	217.32	234.33	251.49	268.79	303.79
	800	147.82	157.47	167.21	186.90	206.86	227.05	247.46	268.05	288.81	309.71	330.75	373.14
1000	174.18	185.50	196.90	219.93	243.22	266.73	290.43	314.28	338.27	362.35	386.51	434.96	
1200	198.88	211.71	224.62	250.65	276.90	303.32	329.87	356.51	383.19	409.88	436.53	489.62	
1400	222.11	236.32	250.58	279.28	308.12	337.05	366.00	394.91	423.73	452.41	480.89	537.08	
1600	244.00	259.43	274.91	305.94	337.00	368.00	398.86	429.51	459.87	489.88	519.46	577.07	
1800	264.60	281.12	297.65	330.67	363.55	396.17	428.44	460.24	491.50	522.11	551.99	...	
2000	283.96	301.41	318.83	353.48	387.75	421.51	454.63	486.98	518.43	548.87	
2500	326.92	346.01	364.89	401.86	437.61	471.88	504.45	
3000	361.91	381.53	400.64	437.17	
4000	

Drives falling within the shaded area may be considered noisy and require a sound dampening guard to reduce noise emission.
RPP® Plus is a trademarks of Carlisle Power Transmission Products, Inc.

SPROCKET DIAMETER AND SPEED

Drives that you'll find in the Belt Width Selection Tables on pages K-94 through K-149, use diameters that may reduce belt life. Amount of reduction will depend on speed. The higher the speed, the more reduction. Drives are included for use where speed ratio or space requirements have to be met.

Blank spaces in the lower right-hand portions of the Belt Width Selections Tables are evident because sprocket rim speed is greater than 6,500 feet per minute. Beyond this speed, centrifugal forces may prohibit safe use of stock grey cast iron sprockets. For rim speeds that exceed 6,500 feet per minute, contact *Martin* for other solutions.

USE OF FLANGED SPROCKETS

Guide flanges are necessary to keep the belt on the sprocket. Due to tracking characteristics, even on the best aligned drives, belts can ride off the edge of sprockets. Flanges can prevent this ride-off. On all drives using stock or made-to-order sprockets, you should check the following conditions when selecting flanged sprockets:

1. On all HTS sprocket drives using two sprockets, minimum flanging calls for two flanges on one sprocket or one flange on each sprocket's opposite side.
2. On drives where the center distance is more than eight times the small sprocket diameters, both sides of the sprockets should be flanged.
3. On vertical shaft drives, one sprocket should be flanged on both sides. All other system sprockets should be flanged bottom side only.
4. All drives with more than two sprockets, minimum flanging calls for two flanges on every other sprocket, or one flange on every sprocket at alternating sides.

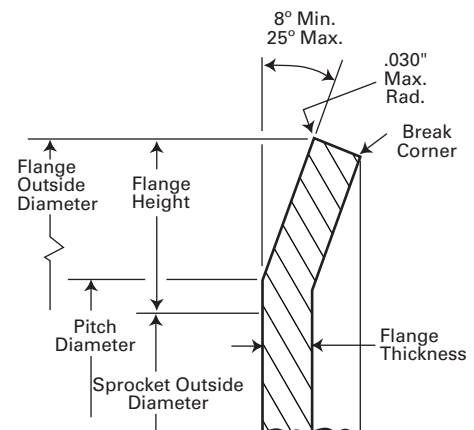
On made-to-order sprockets, flanges should be securely fastened. Use welding, shrink fit, mechanical fasteners, or other accepted methods.

Recommended minimum flange dimensions are shown here:

Flange Dimensions (In.)

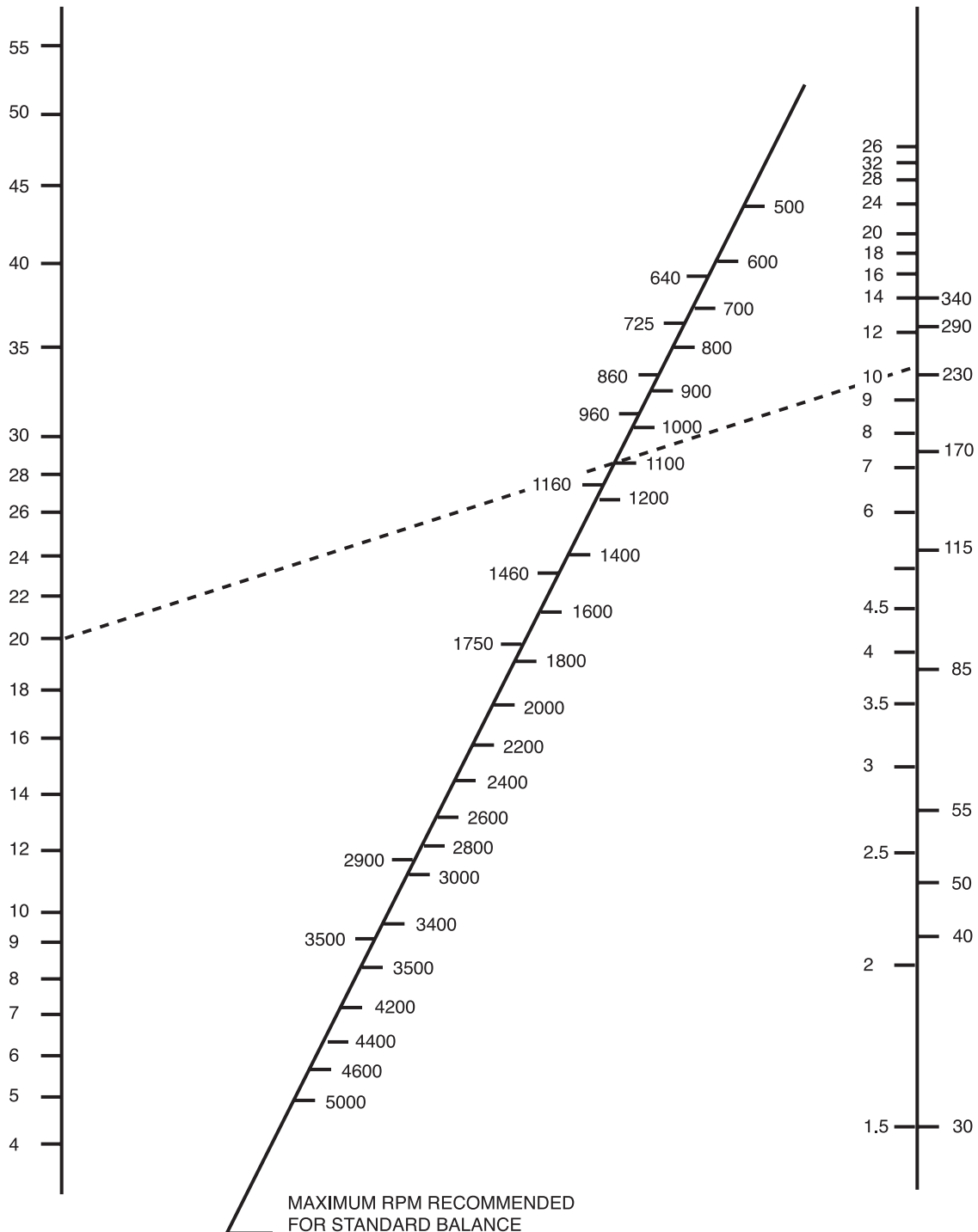
Belt Section	Nominal Flange Thickness	Nominal Flange Height*
8mm	$\frac{3}{32}$	$\frac{21}{64}$
14mm	$\frac{1}{8}$	$\frac{5}{8}$

*Consult factory for exact dimensions.



This nomograph shows the maximum speed limit (in rpm) for a standard statically balanced sprocket of a given diameter and face width. To use, lay a straight edge between diameter and face width. Read maximum rpm recommended for standard balance where edge crosses slanted line. For faster speeds, dynamic balancing is recommended.

Example: If a 20 in. diameter × 10 in. (230 mm) face width sprocket runs faster than 1100 rpm, dynamic balancing is recommended.



WARNING: When belt speeds exceed 6500 feet per minute, special materials must be used; consult *Martin* for special design requirements.

FIXED (NON-ADJUSTABLE) CENTERS

Positive belt applications with fixed centers are not recommended for any drive other than low or no torque drives (other than motion transfer). Fixed center refers to enacting tolerances. Positive belt length tolerances are usually less than that found in other applications. It is a fact that no belt can be manufactured without some tolerance. There are basic geometric tolerances involved with fixed center drives. There is no allowance for proper tensioning and accepted maintenance procedures cannot be utilized.

Because proper tensioning procedures cannot be followed, improper belt tension can result in reduced performance. By using inside idlers, many of these potential problems can be corrected.

IDLERS

Only use idlers as a necessary function...as a means to apply tension when centers are not adjustable. They should be installed on the belt drive's slack side. For inside idlers, grooved sprockets are recommended up to 40 grooves. On larger diameters, flat, uncrowned idlers can be used. Inside idler diameters should not be smaller than the smallest loaded sprocket in the system. Outside or backside idlers should be flat and uncrowned. Flanges are also recommended with diameters that are not smaller than $\frac{1}{3}$ times the smallest loaded sprocket in the system.

Hold to a minimum the idler arc of contact. All idlers have to be securely locked in place during start-up and operation.

For positive belt applications, in most cases, the use of spring-loaded idlers is not recommended. A positive belt can generate sufficient tension to overcome any reasonable force imposed by a spring-loaded idler. You get belt ratcheting in this situation because the idler is not effective. Any strong spring force that imposes artificially high belt tension could be excessive, reducing belt life. Your one exception, a motion transfer application.

CENTER DISTANCE AND BELT LENGTH

To closely estimate a tentative center distance, consider equal to the large sprocket diameter, or $\frac{1}{2}(D+3d)$, whichever is larger. You can then select a tentative belt length by solving any one of the following formulas:

Formula 1

$$\text{Tentative Belt Length} = 1.57 (D + d) + (\text{Tentative Center Distance} \times 2)$$

Where: D = diameter of large sprocket

d = diameter of small sprocket

Formula 2

$$L_p = 2C + 1.57 (D + d) + \frac{(D - d)^2}{4C}$$

Where: L_p = belt length, inches
 D = diameter of large sprocket, inches
 d = diameter of small sprocket, inches
 C = center distance, inches

Formula 3

$$L_p = 2C = \cos \phi + \frac{\pi (D + d)}{2} + \frac{\pi \phi (D - d)}{180}$$

Where: L_p = pitch length of belt, inches
 C = center distance, inches
 D = diameter of large sprocket, inches
 d = diameter of small sprocket, inches

Formula 4

$$C = \frac{K + \sqrt{K^2 - 32 (D - d)^2}}{16}$$

Where: $K = 4L_p - 6.28 (D + d)$

TEETH IN MESH

Standard horsepower ratings in this catalog are based on a minimum of six teeth in mesh between the sprocket and the belt. If there are less than six teeth in mesh, your ratings must be corrected for excessive tooth loading (see correction factor table below). For non-stock drives not listed in the Drive Selection Tables, the teeth in mesh can be calculated by using this formula:

Formula 5

$$\text{Teeth in Mesh} = \left[0.5 - \left(\frac{D - d}{6C} \right) \right] N_g$$

Where: D = pitch diameter, large sprocket, inches
 d = pitch diameter, small sprocket, inches
 C = center distance, inches
 N_g = number of grooves in small sprocket

Teeth in Mesh Correction Factor

Teeth in Mesh	Factor K_{tm}
6 or more	1.00
5	.80
4	.60
3	.40
2	.20

DRIVE ALIGNMENT

To assure proper drive alignment, you should refer to the information in this section for center distance alignment. The alternative is to change the idler position, so that the belt can be slipped onto the drive easily. When you install the belt, never force it over the flange. This may cause belt tensile damage.

Positive belts are most sensitive to misalignment, so never use this kind of drive in applications where misalignment is prevalent. Inconsistent belt wear and premature tensile failure may result.

The two most common types of misalignment can be seen in the drawings below. Parallel misalignment is caused when the driver and driven shafts are parallel, but the two sprockets lie in different planes. When the two shafts are not parallel, the drive is angularly misaligned.

A fleeting angle (shown here) shows where the belt enters and exits the sprocket, and equals the sum of the parallel and angular misalignments.

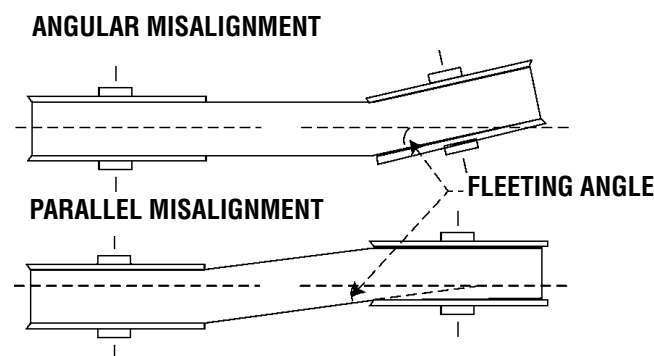
Any degree of sprocket misalignment will result in some belt life reduction. Misalignment of all positive belt drives should not exceed $\frac{1}{4}$ " or $\frac{1}{16}$ " per foot of center distance. Alignment should be checked with a good straight-edge tool applied to their machined side surfaces from driver to driven and from driven to driver shafts. This way the effect of parallel and angular misalignment can be observed.

Drive misalignment can also cause problems of belt tracking. Some tracking is normal and will not affect performance.

However, where center distance is greater than eight times the small sprocket diameter, tracking can be a problem. Special adjustment may be needed. You have to correct the parallel position of the two sprockets until one flange guides the belt in the system and the belt tracks fully on all sprockets. Regardless of the drive's center distance, the best operation will be with the belt contacting only one flange in the system.

You will find the real application problem when the belt contacts flanges on opposite sides of the sprockets. This traps the belt into undesirable parallel misalignment.

Improper bushing installation can result in the entire bushing/sprocket assembly to be "cocked" on the shaft. This leads to angular misalignment. Be sure to follow *Martin*'s bushing installation instructions.



INSTALLATION AND TENSIONING ALLOWANCES

We do not recommend fixed center drives. To avoid belt damage and excessive wear, refer to the Distance Allowance Charts (Page K-168). The standard installation allowance is the minimum decrease in the center distance required to install a belt when flanged sprockets are removed from their shafts for belt installation. The charts first column spells this out with more comprehensive information needed for the minimum increase in center distance required for a belt's tension during its normal life.

If a belt is to be installed over flanged sprockets without removing them, the additional installation center distance allowances shown in the second table must be added to the first table data.

Distance Allowance Chart

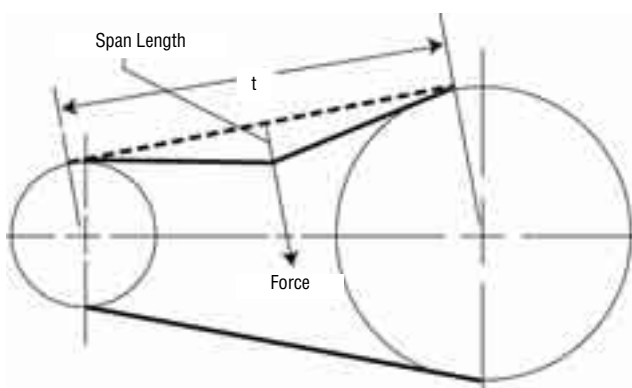
Belt Length (in.)	*Standard Installation Allowance	Tensioning Allowance (Any Drive)
20 and under	0.04"	0.03"
Over 20 to 40	0.05"	0.03"
Over 40 to 60	0.07"	0.04"
Over 60 to 90	0.09"	0.05"
Over 90 to 120	0.11"	0.05"
Over 120 to 160	0.14"	0.05"
Over 160 to 190	0.17"	0.05"
Over 190 to 260	0.21"	0.05"

* Flanged Sprockets Removed for Installation.

HTS BELT TENSIONING AND DEFLECTION FORCE

Lay the belt on the sprockets, adjusting the takeup, so that the belt teeth mesh securely with sprocket grooves. Measure the belt span "t." Then tighten the belt, so that it deflects 1/64" for each inch of belt span when a force is applied. (See Table below.)

Example: A 14mm pitch belt, 85mm wide, with a span of 30" and a maximum force of 28 lbs. applied, should deflect 30/64 inch. Deflection 1/64 per inch of span. (Measure the span length "t" as shown in the sketch below.)



$$t = \sqrt{C^2 - \left(\frac{D-d}{2}\right)^2}$$

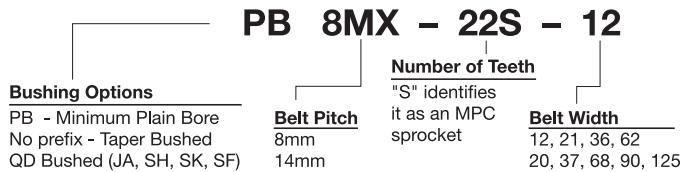
These ranges of deflection forces are applicable for drive installation. Actual operation tension depends on the number of teeth mesh, system rigidity, peak loads, etc.

Belt Pitch	Belt Width	Force*
5mm	9mm	9 to 18 oz.
	15mm	1 to 2 lbs.
	25mm	1-1/2 to 3 lbs.
8mm	20mm	3 to 4 lbs.
	30mm	5 to 6-1/2 lbs.
	50mm	9 to 12 lbs.
	85mm	16 to 20 lbs.
14mm	40 mm	10 to 13 lbs.
	55mm	15 to 18 lbs.
	85 mm	23 to 28 lbs.
	115mm	32 to 39 lbs.
20mm	170mm	48 to 57 lbs.
	115mm	45 to 55 lbs.
	170mm	70 to 85 lbs.
	230mm	95 to 120 lbs.
	290mm	120 to 150 lbs.
	340mm	145 to 180 lbs.

*Force applies to speeds exceeding 600 rpm.

NOTE: For belts wider than 2", you can avoid belt distortion by placing a 3/4" or 1" metal strip across the belt between belt and tension tester.

MPC Synchronous Sprockets



MPC Synchronous Sprockets run with Poly Chain® GT®2 and Falcon Pd™ belts.

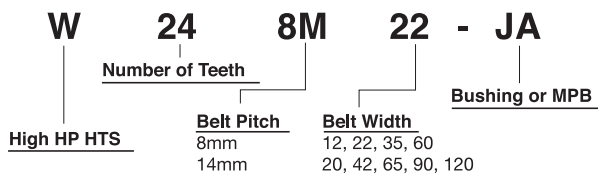
MPC Synchronous Sprockets - available in your desired configuration.

- Available in 8mm and 14mm pitches
 - Belt widths:
 - 12mm, 21mm, 36mm, 62mm (8mm pitch)
 - 20mm, 37mm, 68mm, 90mm, 125mm (14mm pitch)
 - Available in QD, TB or other special adapters.
 - Special diameters and widths, as well as special materials, are also available.

Introducing our newest synchronous sprocket.

Whether it's Poly Chain® GT®2 or Falcon Pd™ we will make the sprocket to complete your drives. The addition of our MPC sprocket line makes *Martin* your one stop shop for all your synchronous sprocket needs. Match your sprocket to your favorite belt.

High HP HTS Synchronous Sprockets



“W” High HP HTS Sprockets (RPP® Tooth Profile) – Run with Blackhawk®, Panther®, QT Power Chain™ belts.

“W” High HP HTS Sprockets are designed to run with latest design, higher horsepower belts.

Martin's High HP HTS Sprockets are designed to run with today's highest horsepower RPP® profile belts.

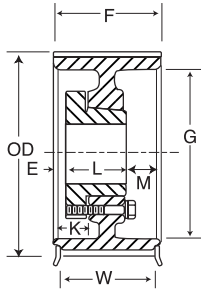
High HP HTS Synchronous Sprockets allow you more flexibility in your selection criteria. The expanded line allows you to fit the application with the most cost effective sprockets.

- Available in 8mm and 14mm pitches
- Belt widths: 12mm, 22mm, 35mm, 60mm (8mm pitch)
20mm, 42mm, 65mm, 90mm, 120mm (14mm pitch)
Available in QD, TB or MPB styles from stock.
- Typical Part Number: W248M22-JA

High HP HTS® Sprockets 8mm

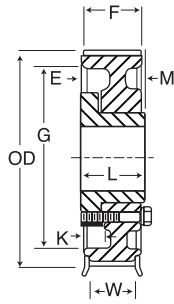


Type A



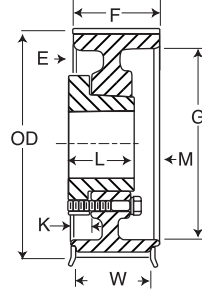
Type AF

Type C



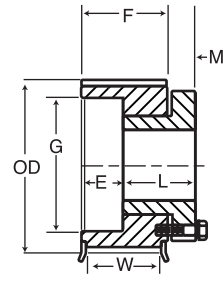
Type CF

Type D



Type DF

Type E•



Type EF•

8mm Pitch, 12 mm (.47 in.) Wide Belts (8M-12)

No. of Teeth	Catalog Number	Bore	Pitch	Diameter (in.)		Type +	Max. Bore	Dimensions (in.)								Weight* Approx. (lbs)
				O.D.	Flange			E	L	M	K	H	F	G	W	
22	W228M12-MPB	MPB	2.206	2.154	2.562	MPB	1.188	0.623	1.452	1.620	0.827	...	0.577	1.0
24	W248M12-JA	JA	2.406	2.354	2.750	E1F•	1.250	0.265	1.063	0.500	0.000	...	0.827	1.340	0.577	0.5
26	W268M12-JA	JA	2.607	2.554	2.937	E1F•	1.250	0.265	1.063	0.500	0.000	...	0.827	1.340	0.577	0.6
28	W288M12-H	H	2.807	2.755	3.156	E1F•	1.500	-0.048	1.250	0.375	0.000	...	0.827	1.570	0.577	0.7
30	W308M12-H	H	3.008	2.955	3.344	E1F•	1.500	-0.048	1.250	0.375	0.000	...	0.827	1.570	0.577	0.9
32	W328M12-H	H	3.208	3.155	3.562	E1F•	1.500	-0.048	1.250	0.375	0.000	...	0.827	1.570	0.577	1.1
34	W348M12-SH	SH	3.409	3.355	3.750	D1F	1.688	0.500	1.313	0.014	0.000	...	0.827	2.750	0.577	1.1
36	W368M12-SH	SH	3.609	3.556	3.937	D1F	1.688	0.500	1.313	0.014	0.000	...	0.827	2.820	0.577	1.3
38	W388M12-SH	SH	3.810	3.756	4.156	D1F	1.688	0.500	1.313	0.014	0.000	...	0.827	3.000	0.577	1.6
40	W408M12-SH	SH	4.010	3.956	4.344	D1F	1.688	0.500	1.313	0.014	0.000	...	0.827	3.000	0.577	1.9
44	W448M12-SDS	SDS	4.411	4.357	4.750	C1F	2.000	0.548	1.375	0.000	0.077	...	0.827	3.500	0.577	2.1
48	W488M12-SDS	SDS	4.812	4.757	5.157	C1F	2.000	0.548	1.375	0.000	0.077	...	0.827	3.800	0.577	2.7
56	W568M12-SDS	SDS	5.614	5.558	5.937	C1F	2.000	0.548	1.375	0.000	0.077	...	0.827	4.600	0.577	4.0
64	W648M12-SDS	SDS	6.416	6.359	6.750	C1F	2.000	0.548	1.375	0.000	0.077	...	0.827	5.400	0.577	5.5
72	W728M12-SDS	SDS	7.218	7.160	7.562	C1F	2.000	0.548	1.375	0.000	0.077	...	0.827	6.200	0.577	7.3
80	W808M12-SDS	SDS	8.020	7.961	8.375	C2F	2.000	0.548	1.375	0.000	0.077	...	0.827	6.900	0.577	9.2
90	W908M12-SDS	SDS	9.023	8.963	...	C2	2.000	0.548	1.375	0.000	0.077	...	0.827	7.625	...	9.5
112	W1128M12-SK	SK	11.229	11.166	...	C3	2.625	0.688	1.938	0.423	0.000	...	0.827	9.875	...	13.3
144	W1448M12-SK	SK	14.447	14.370	...	C3	2.625	0.688	1.938	0.423	0.000	...	0.827	12.875	...	19.1
192	W1928M12-SF	SF	19.249	19.176	...	C3	2.938	0.813	2.063	0.423	0.000	...	0.827	17.625	...	23.0

8mm Pitch, 22 mm (.86 in.) Wide Belts (8M-22)

22	W228M22-MPB	MPB	2.206	2.154	2.562	MPB1F	1.188	0.619	1.840	0.000	...	1.625	1.22	...	0.97	1.3
24	W248M22-JA	JA	2.406	2.354	2.750	E1F•	1.250	0.658	1.063	0.500	0.000	...	1.22	1.34	0.97	0.7
26	W268M22-JA	JA	2.607	2.554	2.937	E1F•	1.250	0.658	1.063	0.500	0.000	...	1.22	1.34	0.97	1.0
28	W288M22-H	H	2.807	2.755	3.156	E1F•	1.500	0.345	1.250	0.375	0.000	...	1.22	1.57	0.97	1.1
30	W308M22-H	H	3.008	2.955	3.344	E1F•	1.500	0.345	1.250	0.375	0.000	...	1.22	1.57	0.97	1.3
32	W328M22-H	H	3.208	3.155	3.562	C1F•	1.500	0.030	1.250	0.000	0.345	...	1.22	1.57	0.97	1.7
34	W348M22-SH	SH	3.409	3.355	3.750	D1F	1.688	0.092	1.313	0.000	0.408	...	1.22	2.75	0.97	1.3
36	W368M22-SH	SH	3.609	3.556	3.937	D1F	1.688	0.092	1.313	0.000	0.408	...	1.22	2.82	0.97	1.6
38	W388M22-SH	SH	3.810	3.756	4.156	D1F	1.688	0.092	1.313	0.000	0.408	...	1.22	3.00	0.97	1.9
40	W408M22-SH	SH	4.010	3.956	4.344	D1F	1.688	0.092	1.313	0.000	0.408	...	1.22	3.00	0.97	2.3
44	W448M22-SDS	SDS	4.411	4.357	4.750	D1F	2.000	0.155	1.375	0.000	0.470	...	1.22	3.50	0.97	2.5
48	W488M22-SDS	SDS	4.812	4.757	5.157	D1F	2.000	0.155	1.375	0.000	0.470	...	1.22	3.80	0.97	3.2
56	W568M22-SDS	SDS	5.614	5.558	5.937	D1F	2.000	0.155	1.375	0.000	0.470	...	1.22	4.60	0.97	4.6
64	W648M22-SK	SK	6.416	6.359	6.750	D1F	2.625	0.438	1.938	-0.280	0.250	...	1.22	5.40	0.97	7.7
72	W728M22-SK	SK	7.218	7.160	7.562	D1F	2.625	0.438	1.938	-0.280	0.250	...	1.22	6.20	0.97	9.1
80	W808M22-SK	SK	8.020	7.961	8.375	D2F	2.625	0.438	1.938	-0.280	0.250	...	1.22	6.90	0.97	9.1
90	W908M22-SK	SK	9.023	8.963	...	D2	2.625	0.438	1.938	-0.280	0.250	...	1.22	7.63	...	12.0
112	W1128M22-SK	SK	11.229	11.166	...	D3	2.625	0.438	1.938	-0.280	0.250	...	1.22	9.88	...	15.3
144	W1448M22-SF	SF	14.447	14.370	...	D3	2.938	0.563	2.063	-0.280	0.250	...	1.22	12.88	...	19.1
192	W1928M22-E	E	19.249	19.176	...	C3	3.500	1.202	2.625	0.202	-0.202	...	1.22	17.63	...	38.4

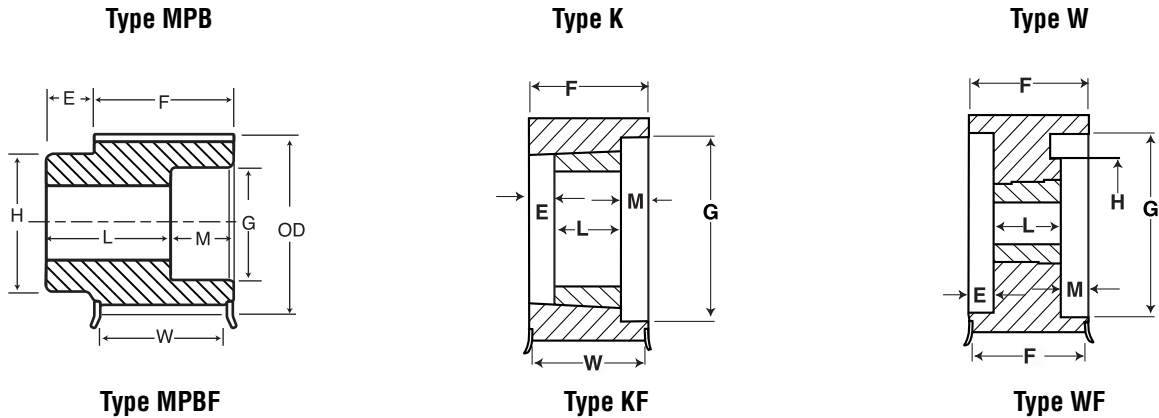
* Weight Shown is for Sprocket Less Bushing.

• Reverse Mount Only

+ The numbers (1=Solid, 2=Web, 3=Arms) within the "Type" indicates construction, and the letter F indicates the sprocket has flanges.



High HP HTS® Sprockets 8mm



8mm Pitch, 35 mm (1.38in.) Wide Belts (8M - 35)																
No. of Teeth	Catalog Number	Bore	Pitch	Diameter (in.)		Type +	Max. Bore	Dimensions (in.)							Weight* Approx. (lbs)	
				O.D.	Flange			E	L	M	K	H	F	G		W
22	W228M35-MPB	MPB	2.206	2.154	2.56	MBP1F	1.188	0.618	2.3500	1.6250	1.73	...	1.428	1.6
24	W248M35-MPB	MPB	2.406	2.354	2.75	MBP1F	1.250	0.618	2.3500	1.8125	1.73	...	1.428	2
26	W268M35-MPB	MPB	2.607	2.554	2.94	MBP1F	1.375	0.618	2.3500	2.0000	1.73	...	1.428	2.4
28	W288M35-H	H	2.807	2.755	3.16	E1F●	1.500	0.855	1.2500	0.375	0.000	...	1.73	1.570	1.428	1.5
30	W308M35-H	H	3.008	2.955	3.34	E1F●	1.500	0.855	1.2500	0.375	0.000	...	1.73	1.570	1.428	1.9
32	W328M35-H	H	3.208	3.155	3.56	A1F●	1.500	0.245	1.2500	0.235	0.620	...	1.73	1.570	1.428	2.4
34	W348M35-SH	SH	3.409	3.355	3.75	A1F	1.688	0.120	1.3125	0.298	0.620	...	1.73	2.750	1.428	2.4
36	W368M35-SH	SH	3.609	3.556	3.94	A1F	1.688	0.120	1.3125	0.298	0.620	...	1.73	2.820	1.428	2.8
38	W388M35-SH	SH	3.810	3.756	4.16	A1F	1.688	0.120	1.3125	0.298	0.620	...	1.73	3.000	1.428	3.0
40	W408M35-SH	SH	4.010	3.956	4.34	A1F	1.688	0.120	1.3125	0.298	0.620	...	1.73	3.000	1.428	2.8
44	W448M35-SD	SD	4.411	4.357	4.75	D1F	2.000	0.313	1.8125	0.232	0.250	...	1.73	3.500	1.428	3.1
48	W488M35-SD	SD	4.812	4.757	5.16	D1F	2.000	0.313	1.8125	0.232	0.250	...	1.73	3.800	1.428	3.5
56	W568M35-SK	SK	5.614	5.558	5.94	D1F	2.625	0.438	1.9375	0.230	0.250	...	1.73	4.600	1.428	5.3
64	W648M35-SK	SK	6.416	6.359	6.75	D1F	2.625	0.438	1.9375	0.230	0.250	...	1.73	5.400	1.428	8.4
72	W728M35-SK	SK	7.218	7.160	7.56	D1F	2.625	0.438	1.9375	0.230	0.250	...	1.73	6.200	1.428	9.1
80	W808M35-SF	SF	8.020	7.961	8.38	D1F	2.938	0.563	2.0625	0.230	0.250	...	1.73	6.900	1.428	15.1
90	W908M35-SF	SF	9.023	8.963	...	D2	2.938	0.563	2.0625	0.230	0.250	...	1.73	7.625	...	20.7
112	W1128M35-SF	SF	11.229	11.166	...	A3	2.938	0.563	2.0625	0.230	0.250	...	1.73	9.875	...	18.0
144	W1448M35-E	E	14.447	14.370	...	C3	3.500	0.893	2.6250	0.000	0.107	...	1.73	12.875	...	38.0
192	W1928M35-E	E	19.249	19.176	...	C3	3.500	0.893	2.6250	0.000	0.107	...	1.73	17.625	...	53.0
8mm Pitch, 60 mm (2.36 in.) Wide Belts (8M-60)																
22	W228M60-MPB	MPB	2.206	2.154	2.562	MPB1F	1.188	0.619	3.375	1.625	2.756	...	2.506	2.2
24	W248M60-MPB	MPB	2.406	2.354	2.750	MPB1F	1.250	0.619	3.375	1.813	2.756	...	2.506	2.7
26	W268M60-MPB	MPB	2.607	2.554	2.937	MPB1F	1.375	0.619	3.375	2.000	2.756	...	2.506	3.3
28	W288M60-MPB	MPB	2.807	2.755	3.156	MPB1F	1.500	0.619	3.375	2.281	2.756	...	2.506	4.4
30	W308M60-MPB	MPB	3.008	2.955	3.344	MPB1F	1.563	0.619	3.375	2.468	2.756	...	2.506	5.1
32	W328M60-MPB	MPB	3.208	3.155	3.562	MPB1F	1.625	0.619	3.375	2.593	2.756	...	2.506	5.9
34	W348M60-MPB	MPB	3.409	3.355	3.750	MPB1F	1.688	0.619	3.375	2.796	2.756	...	2.506	6.6
36	W368M60-MPB	MPB	3.609	3.556	3.937	MPB1F	1.750	0.619	3.375	3.000	2.756	...	2.506	7.8
36	W368M60-2012	2012*	3.609	3.556	3.937	K1F	2.000	1.506	1.250	0.000	2.756	2.820	2.506	2.3
38	W388M60-MPB	MPB	3.810	3.756	4.156	MPB1F	1.938	0.619	3.375	3.188	2.756	...	2.506	8.8
38	W388M60-2012	2012*	3.810	3.756	4.156	K1F	2.000	1.506	1.250	0.000	2.756	3.000	2.506	2.8
40	W408M60-MPB	MPB	4.010	3.956	4.344	MPB1F	2.125	0.619	3.375	3.813	2.756	...	2.506	9.8
40	W408M60-2012	2012*	4.010	3.956	4.344	W1F	2.000	1.506	1.250	0.000	2.756	3.000	2.506	2.3
44	W448M60-2517	2517	4.411	4.357	4.750	W1F	2.500	0.503	1.750	0.503	2.756	3.500	2.506	5.4
48	W488M60-2517	2517	4.812	4.757	5.157	W1F	2.500	0.503	1.750	0.503	2.756	3.800	2.506	3.2
56	W568M60-3020	3020	5.614	5.558	5.937	W1F	3.000	0.378	2.000	0.378	2.756	4.600	2.506	6.3
64	W648M60-SF	SF	6.416	6.359	6.750	A1F	2.938	-0.061	2.063	0.754	0.752	...	2.756	5.400	2.506	9.8
72	W728M60-E	E	7.218	7.160	7.562	A1F	3.500	0.000	2.625	0.131	1.000	...	2.756	6.200	2.506	12.8
80	W808M60-E	E	8.020	7.961	8.375	A1F	3.500	0.000	2.625	0.131	1.000	...	2.756	6.900	2.506	19.3
90	W908M60-E	E	9.023	8.963	...	A1	3.500	0.000	2.625	0.131	1.000	...	2.756	7.625	...	20.7
112	W1128M60-F	F	11.229	11.166	...	C3	4.000	0.869	3.625	0.000	0.256	...	2.756	9.875	...	50.3
144	W1448M60-F	F	14.447	14.370	...	C3	4.000	0.869	3.625	0.000	0.256	...	2.756	12.875	...	73.2
192	W1928M60-F	F	19.249	19.176	...	C3	4.000	0.869	3.625	0.000	0.256	...	2.756	17.625	...	81.3

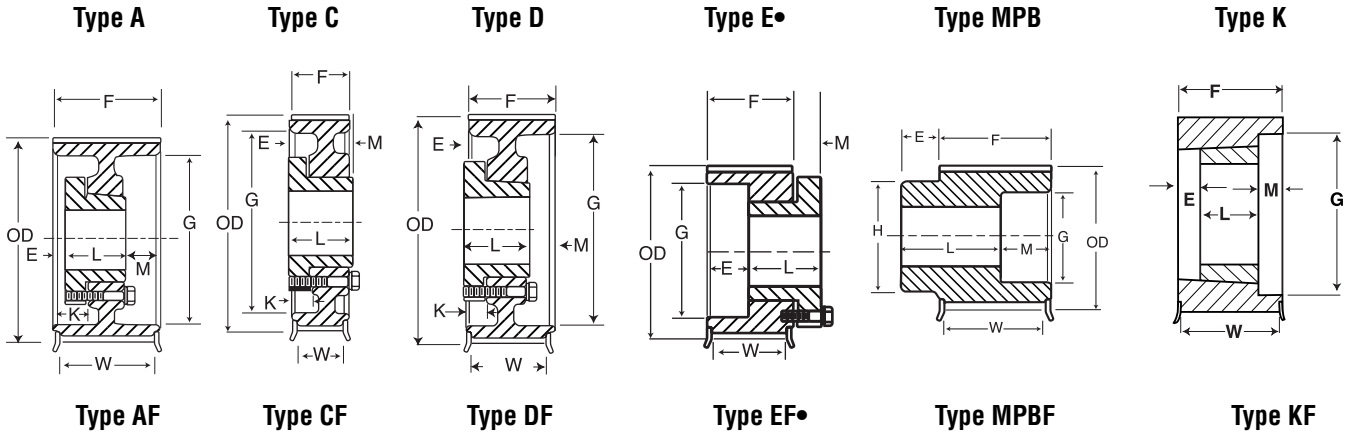
+ The numbers (1=Solid, 2=Web, 3=Arms) within the "Type" indicates construction, and the letter F indicates the sprocket has flanges.

* Weight Shown is for Sprocket Less Bushing.

● Reverse Mount Only

PULLEYS

High HP HTS[®] Sprockets 14mm



14mm Pitch, 20 mm (.79in.) Wide Belts (14M - 20)

No. of Teeth	Catalog Number	Bore	Pitch	Diameter (in.)		Type +	Max. Bore	Dimensions (in.)								Weight* Approx. (lbs)
				O.D.	Flange			E	L	M	K	H	F	G	W	
28	W2814M20-SK	SK	4.912	4.805	5.56	D1F	2.625	0.688	1.938	-0.030	0.000	..	1.220	2.740	0.908	3.6
29	W2914M20-SK	SK	5.088	4.981	5.56	D1F	2.625	0.688	1.938	-0.030	0.000	..	1.220	2.740	0.908	4.0
30	W3014M20-SK	SK	5.263	5.156	6.13	D1F	2.625	0.688	1.938	-0.030	0.000	..	1.220	2.740	0.908	4.4
32	W3214M20-SK	SK	5.614	5.507	6.13	D1F	2.625	0.688	1.938	-0.030	0.000	..	1.220	2.740	0.908	5.3
34	W3414M20-SK	SK	5.965	5.857	6.5	D1F	2.625	0.688	1.938	-0.030	0.000	..	1.220	2.740	0.908	6.2
36	W3614M20-SF	SF	6.316	6.208	6.81	C1F	2.938	0.813	2.063	-0.030	0.000	..	1.220	3.050	0.908	5.7
38	W3814M20-SF	SF	6.667	6.559	7.16	C1F	2.938	0.813	2.063	-0.030	0.000	..	1.220	3.050	0.908	6.5
40	W4014M20-SF	SF	7.018	6.910	7.5	C1F	2.938	0.813	2.063	-0.030	0.000	..	1.220	3.050	0.908	7.6
44	W4414M20-E	E	7.720	7.611	8.22	C1F	3.500	1.000	2.625	0.405	0.000	..	1.220	...	0.908	10.2
48	W4814M20-E	E	8.421	8.312	8.94	C1F	3.500	1.000	2.625	0.405	0.000	..	1.220	...	0.908	13.0
52	W5214M20-E	E	9.123	9.014	9.69	C1F	3.500	1.000	2.625	0.405	0.000	..	1.220	...	0.908	16.7
56	W5614M20-E	E	9.825	9.715	10.38	C1F	3.500	1.000	2.625	0.405	0.000	..	1.220	...	0.908	20.4
60	W6014M20-E	E	10.527	10.417	11.06	C1F	3.500	1.000	2.625	0.405	0.000	..	1.220	...	0.908	23.6
64	W6414M20-E	E	11.229	11.118	11.75	C1F	3.500	1.000	2.625	0.405	0.000	..	1.220	...	0.908	27.1
68	W6814M20-E	E	11.930	11.820	12.5	C2F	3.500	1.000	2.625	0.405	0.000	..	1.220	...	0.908	26.8
72	W7214M20-E	E	12.632	12.521	13.19	C2F	3.500	1.000	2.625	0.405	0.000	..	1.220	...	0.908	29.6
80	W8014M20-E	E	14.036	13.924	14.63	C2F	3.500	1.000	2.625	0.405	0.000	..	1.220	...	0.908	35.3
90	W9014M20-E	E	15.790	15.677	...	C3	3.500	1.188	2.625	0.218	-0.188	..	1.220	13.563	...	36.6
112	W11214M20-E	E	19.650	19.535	...	C3	3.500	1.188	2.625	0.218	-0.188	..	1.220	17.375	...	48.0
144	W14414M20-E	E	25.264	25.147	...	C3	3.500	1.188	2.625	0.218	-0.188	..	1.220	23.000	...	59.4
168	W16814M20-F	F	29.475	29.355	...	C3	4.000	1.563	3.625	0.842	-0.438	..	1.220	27.250	...	98.4
192	W19214M20-J	J	33.686	33.564	...	C3	4.500	1.938	4.500	1.342	-0.626	..	1.220	31.375	...	147.4
216	W21614M20-J	J	37.896	37.772	...	C3	4.500	1.938	4.500	1.342	-0.626	..	1.220	35.625	...	155.6

14mm Pitch, 42 mm (1.65 in.) Wide Belts (14M-42)

28	W2814M42-SK	SK	4.912	4.805	5.56	E1F•	2.625	0.837	1.938	0.688	2.087	2.740	1.774	5.5
29	W2914M42-SK	SK	5.088	4.981	5.56	E1F•	2.625	0.837	1.938	0.688	2.087	2.740	1.774	6.2
30	W3014M42-SK	SK	5.263	5.156	6.13	D1F	2.625	0.267	1.938	0.416	0.421	..	2.087	3.920	1.774	5.9
32	W3214M42-SK	SK	5.614	5.507	6.13	D1F	2.625	0.267	1.938	0.416	0.42	..	2.087	3.920	1.774	7.4
34	W3414M42-SF	SF	5.965	5.857	6.50	D1F	2.938	0.391	2.063	0.415	0.421	..	2.087	3.920	1.774	8.8
36	W3614M42-SF	SF	6.316	6.208	6.81	D1F	2.938	0.391	2.063	0.415	0.421	..	2.087	4.688	1.774	7.8
38	W3814M42-SF	SF	6.667	6.559	7.16	D1F	2.938	0.391	2.063	0.415	0.421	..	2.087	4.938	1.774	9.2
40	W4014M42-SF	SF	7.018	6.910	7.50	D1F	2.938	0.391	2.063	0.415	0.421	..	2.087	5.063	1.774	10.8
44	W4414M42-E	E	7.720	7.611	8.22	D1F	3.500	0.772	2.625	0.234	0.228	..	2.087	6.125	1.774	13.1
48	W4814M42-E	E	8.421	8.312	8.94	D1F	3.500	0.772	2.625	0.234	0.228	..	2.087	6.500	1.774	17.2
52	W5214M42-E	E	9.123	9.014	9.69	D1F	3.500	0.772	2.625	0.234	0.228	..	2.087	7.188	1.774	21.2
56	W5614M42-E	E	9.825	9.715	10.38	D1F	3.500	0.772	2.625	0.234	0.228	..	2.087	7.875	1.774	25.6
60	W6014M42-E	E	10.527	10.417	11.06	D1F	3.500	0.772	2.625	0.234	0.228	..	2.087	8.500	1.774	30.3
64	W6414M42-E	E	11.229	11.118	11.75	D1F	3.500	0.772	2.625	0.234	0.228	..	2.087	9.250	1.774	35.1
68	W6814M42-E	E	11.930	11.820	12.50	D2F	3.500	0.772	2.625	0.234	0.228	..	2.087	10.000	1.774	33.7
72	W7214M42-E	E	12.632	12.521	13.19	D2F	3.500	0.772	2.625	0.234	0.228	..	2.087	10.688	1.774	37.3
80	W8014M42-E	E	14.036	13.924	14.63	D2F	3.500	0.772	2.625	0.234	0.228	..	2.087	12.125	1.774	44.5
90	W9014M42-F	F	15.790	15.677	...	C3	4.000	1.125	3.625	0.413	2.087	13.563	...	50.8
112	W11214M42-F	F	19.650	19.535	...	C3	4.000	1.125	3.625	0.413	2.087	17.375	...	77.3
144	W14414M42-F	F	25.264	25.147	...	C3	4.000	1.125	3.625	0.413	2.087	23.000	...	97.4
168	W16814M42-F	F	29.475	29.355	...	C3	4.000	1.125	3.625	0.413	2.087	27.250	...	119.3
192	W19214M42-J	J	33.686	33.564	...	C3	4.500	1.505	4.500	0.908	...	-0.192	2.087	31.375	...	173.5
216	W21614M42-J	J	37.896	37.772	...	C3	4.500	1.505	4.500	0.908	...	-0.192	2.087	35.625	...	206.0

* Weight Shown is for Sprocket Less Bushing.

• Reverse Mount Only

+ The numbers (1=Solid, 2=Web, 3=Arms) within the "Type" indicates construction, and the letter F indicates the sprocket has flanges.

PULLEYS



High HP HTS® Sprockets 14mm

14mm Pitch, 65 mm (2.56in.) Wide Belts (14M - 65)																
No. of Teeth	Catalog Number	Bore	Pitch	Diameter (in.)		Type +	Max. Bore	Dimensions (in.)								Weight* Approx. (lbs)
				O.D.	Flange			E	L	M	K	H	F	G	W	
28	W2814M65-MPB	MPB	4.912	4.805	5.56	MPB1F	2.313	1.000	4.032	0.000	-	3.688	3.032	0.000	2.719	15
29	W2914M65-MPB	MPB	5.088	4.981	5.56	MPB1F	2.313	1.000	4.032	0.000	-	3.688	3.032	0.000	2.719	16
30	W3014M65-MPB	MPB	5.263	5.156	6.13	MPB1F	2.500	1.000	4.032	0.000	-	4.141	3.032	0.000	2.719	18
32	W3214M65-MPB	MPB	5.614	5.507	6.13	MPB1F	2.500	1.000	4.032	0.000	-	4.141	3.032	0.000	2.719	20.2
34	W3414M65-MPB	MPB	5.965	5.857	6.50	MPB1F	2.688	1.000	4.032	0.000	-	4.484	3.032	0.000	2.719	23.4
36	W3614M65-MPB	MPB	6.316	6.208	6.81	MPB1F	3.000	1.000	4.032	0.000	-	4.875	3.032	0.000	2.719	24.5
36	W3614M65-3030	3030*	6.316	6.208	6.81	MPB1F	3.000	0.032	3.000	0.000	-	0.000	3.032	0.000	2.719	10.8
38	W3814M65-MPB	MPB	6.667	6.559	7.16	MPB1F	3.250	1.000	4.032	0.000	-	5.172	3.032	0.000	2.719	27.6
38	W3814M65-3030	3030*	6.667	6.559	7.16	MPB1F	3.000	0.032	3.000	0.000	-	0.000	3.032	0.000	2.719	13.4
40	W4014M65-MPB	MPB	7.018	6.910	7.50	MPB1F	3.438	1.000	4.032	0.000	-	5.563	3.032	0.000	2.719	31.5
40	W4014M65-3535	3535*	7.018	6.910	7.50	C1F	3.500	0.468	3.500	0.000	-	6.125	3.032	3.875	2.719	13.2
44	W4414M65-E	E	7.720	7.611	8.22	D1F	3.500	0.125	2.625	0.532	0.875	...	3.032	6.125	2.719	16.2
48	W4814M65-E	E	8.421	8.312	8.94	D1F	3.500	0.125	2.625	0.532	0.875	...	3.032	6.500	2.719	21.4
52	W5214M65-E	E	9.123	9.014	9.69	D1F	3.500	0.125	2.625	0.532	0.875	...	3.032	7.188	2.719	25.9
56	W5614M65-F	F	9.825	9.715	10.38	C1F	4.000	0.594	3.625	0.000	0.531	...	3.032	7.875	2.719	36.3
60	W6014M65-F	F	10.527	10.417	11.06	C1F	4.000	0.594	3.625	0.000	0.531	...	3.032	8.500	2.719	43.5
64	W6414M65-F	F	11.229	11.118	11.75	C1F	4.000	0.594	3.625	0.000	0.531	...	3.032	9.250	2.719	51.0
68	W6814M65-F	F	11.930	11.820	12.50	C2F	4.000	0.594	3.625	0.000	0.531	7.750	3.032	10.000	2.719	47.9
72	W7214M65-F	F	12.632	12.521	13.19	C2F	4.000	0.594	3.625	0.000	0.531	7.750	3.032	10.688	2.719	52.7
80	W8014M65-F	F	14.036	13.924	14.63	C2F	4.000	0.594	3.625	0.000	0.531	7.750	3.032	12.125	2.719	61.2
90	W9014M65-F	F	15.790	15.677	...	C3	4.000	0.594	3.625	0.000	0.531	7.750	3.032	13.563	...	59.8
112	W11214M65-J	J	19.650	19.535	...	C3	4.500	1.250	4.500	0.219	0.063	9.000	3.032	17.375	...	104.2
144	W14414M65-M	M	25.264	25.147	...	C3	5.500	2.063	6.750	1.657	-0.500	11.375	3.032	23.000	...	197.3
168	W16814M65-M	M	29.475	29.355	...	C3	5.500	2.063	6.750	1.657	-0.500	11.375	3.032	27.250	...	207.0
192	W19214M65-M	M	33.686	33.564	...	C3	5.500	2.063	6.750	1.657	-0.500	11.375	3.032	31.375	...	173.5
216	W21614M65-M	M	37.896	37.772	...	C3	5.500	2.063	6.750	1.657	-0.500	11.375	3.032	35.625	...	253.0
14mm Pitch, 90 mm (3.54 in.) Wide Belts (14M-90)																
28	W2814M90-MPB	MPB	4.912	4.805	5.56	MPB1F	2.313	1.000	5.055	3.688	4.055	0.000	3.743	18.9
29	W2914M90-MPB	MPB	5.088	4.981	5.56	MPB1F	2.313	1.000	5.055	3.688	4.055	0.000	3.743	20.2
30	W3014M90-MPB	MPB	5.263	5.156	6.13	MPB1F	2.500	1.000	5.055	4.141	4.055	0.000	3.743	10.9
32	W3214M90-MPB	MPB	5.614	5.507	6.13	MPB1F	2.500	1.000	5.055	4.141	4.055	0.000	3.743	13.9
34	W3414M90-MPB	MPB	5.965	5.857	6.50	MPB1F	2.688	1.000	5.055	4.484	4.055	0.000	3.743	16.7
36	W3614M90-MPB	MPB	6.316	6.208	6.81	MPB1F	3.000	1.000	5.055	4.875	4.055	0.000	3.743	31.4
38	W3814M90-MPB	MPB	6.667	6.559	7.16	MPB1F	3.250	1.000	5.055	5.172	4.055	4.938	3.743	35.5
40	W4014M90-3535	3535	7.018	6.910	7.50	K1F	3.500	0.555	3.500	0.000	4.055	...	3.743	17.1
44	W4414M90-3535	3535	7.720	7.611	8.22	K1F	4.000	0.555	3.500	0.000	4.055	...	3.743	24.8
48	W4814M90-4040	4040	8.421	8.312	8.94	K1F	4.000	0.555	4.000	0.000	4.055	...	3.743	27.0
52	W5214M90-F	F	9.123	9.014	9.69	D1F	4.000	0.347	3.625	0.778	0.778	...	4.055	7.188	3.743	34.7
56	W5614M90-F	F	9.825	9.715	10.38	D1F	4.000	0.347	3.625	0.778	0.778	...	4.055	7.875	3.743	36.3
60	W6014M90-F	F	10.527	10.417	11.06	D1F	4.000	0.347	3.625	0.778	0.778	...	4.055	8.500	3.743	49.8
64	W6414M90-F	F	11.229	11.118	11.75	D1F	4.000	0.347	3.625	0.778	0.778	...	4.055	9.250	3.743	57.6
68	W6814M90-F	F	11.930	11.820	12.50	D2F	4.000	0.347	3.625	0.778	0.778	...	4.055	10.000	3.743	54.8
72	W7214M90-F	F	12.632	12.521	13.19	D2F	4.000	0.347	3.625	0.778	0.778	...	4.055	10.688	3.743	60.0
80	W8014M90-J	J	14.036	13.924	14.63	C2F	4.500	0.375	4.500	0.070	0.938	...	4.055	12.125	3.743	81.5
90	W9014M90-J	J	15.790	15.677	...	C3	4.500	0.375	4.500	0.070	0.938	...	4.055	13.563	...	77.4
112	W11214M90-J	J	19.650	19.535	...	C3	4.500	0.375	4.500	0.070	0.938	...	4.055	17.375	...	116.2
144	W14414M90-M	M	25.264	25.147	...	C3	5.500	1.563	6.750	1.132	0.000	11.375	4.055	23.000	...	220.0
168	W16814M90-M	M	29.475	29.355	...	C3	5.500	1.563	6.750	1.132	0.000	11.375	4.055	27.250	...	207.0
192	W19214M90-M	M	33.686	33.564	...	C3	5.500	1.563	6.750	1.132	0.000	11.375	4.055	31.375	...	268.4
216	W21614M90-M	M	37.896	37.772	...	C3	5.500	1.563	6.750	1.132	0.000	11.375	4.055	35.625	...	278.1
14mm Pitch, 120 mm (4.72 in.) Wide Belts (14M-120)																
28	W2814M120-MPB	MPB	4.912	4.805	5.56	MPB1F	2.313	1.000	4.986	1.250	...	3.688	5.236	3.125	4.924	22.0
29	W2914M120-MPB	MPB	5.088	4.981	5.56	MPB1F	2.313	1.000	4.986	1.250	...	3.688	5.236	3.125	4.924	23.8
30	W3014M120-MPB	MPB	5.263	5.156	6.13	MPB1F	2.500	1.000	4.986	1.250	...	4.141	5.236	3.906	4.924	25.1
32	W3214M120-MPB	MPB	5.614	5.507	6.13	MPB1F	2.500	1.000	4.986	1.250	...	4.141	5.236	3.906	4.924	29
34	W3414M120-MPB	MPB	5.965	5.857	6.50	MPB1F	2.688	1.000	4.986	1.250	...	4.484	5.236	4.063	4.924	33.7
36	W3614M120-MPB	MPB	6.316	6.208	6.81	MPB1F	3.000	1.000	4.986	1.250	...	4.875	5.236	4.688	4.924	34.0
38	W3814M120-MPB	MPB	6.667	6.559	7.16	MPB1F	3.250	1.000	4.986	1.250	...	5.172	5.236	4.938	4.924	38.4
40	W4014M120-MPB	MPB	7.018	6.910	7.50	MPB1F	3.438	1.000	4.986	1.250	...	5.563	5.236	5.063	4.924	43.4
44	W4414M120-3535	3535	7.720	7.611	8.22	K1F	4.000	0.868	3.500	0.868	5.236	5.875	4.924	24.8
48	W4814M120-4040	4040	8.421	8.312	8.94	K1F	4.000	0.618	4.000	0.618	5.236	6.625	4.924	31.8
52	W5214M120-F	F	9.123	9.014	9.69	A1F	4.000	1.125	3.625	1.361	1.375	...	5.236	7.188	4.924	34.7
56	W5614M120-F	F	9.825	9.715	10.38	A1F	4.000	1.125	3.625	1.361	1.375	...	5.236	7.875	4.924	48.4
60	W6014M120-F	F	10.527	10.417	11.06	A1F	4.000	1.125	3.625	1.361	1.375	...	5.236	8.500	4.924	57.1
64	W6414M120-J	J	11.229	11.118	11.75	D1F	4.500	0.293	4.500	1.029	1.020	...	5.236	9.250	4.924	69.7
68	W6814M120-J	J	11.930	11.820	12.50	D1F	4.500	0.293	4.500	1.029	1.020	...	5.236	10.000	4.924	80.4
72	W7214M120-J	J	12.632	12.521	13.19	D1F	4.500	0.293	4.500	1.029	1.020	...	5.236	10.688	4.924	92.2
80	W8014M120-J	J	14.036	13.924	14.63	D2F	4.500	0.293	4.500	1.029	1.020	...	5.236	12.125	4.924	92.5
90	W9014M120-M	M	15.790	15.677	...	C2	5.500	1.514	6.750	0.000	0.049	10.000	5.236	13.563	...	134.5
112	W11214M120-M	M	19.650	19.535	...	C3	5.500	1.514	6.750	0.000	0.049	11.375	5.236	17.375	...	193.4
144	W14414M120-M	M	25.264	25.147	...	C3	5.500	1.514	6.750	0.000	0.049	11.375	5.236	23.000	...	234.6
168	W16814M120-M	M	29.475	29.355	...	C3	5.500	1.514	6.750	0.000	0.049	11.375	5.236	27.250	...	245.8
192	W19214M120-N	N	33.686	33.564	...	C3	6.000	1.875	8.125	1.014	0.000	12.000	5.236	31.375	...	381.5

+ The numbers (1=Solid, 2=Web, 3=Arms) within the "Type" indicates construction, and the letter F indicates the sprocket has flanges.

* Weight Shown is for Sprocket Less Bushing.
● Reverse Mount Only

PULLEYS

High HP HTS® 8mm Drive Selection Tables



Sprocket Combination						HP Ratings @1750 RPM Driver											
Drive	Driver		Driven		DN	RPP Panther Belt Widths (mm)											
Ratio	No. Teeth	P.D.	No. Teeth	P.D.	RPM	12	22	35	60	480	560	600	640	720	800		
Multiply HP rating by the belt length factor to determine drive width - BELT LENGTH FACTOR										0.8	0.8	0.8	0.9	0.9	0.9		
1.00	80	8.02	80	8.02	1750	26.51	48.64	77.42	132.74								
1.00	72	7.22	72	7.22	1750	23.77	43.62	69.42	119.03								
1.00	64	6.42	64	6.42	1750	21.02	38.57	61.39	105.26								
1.00	56	5.61	56	5.61	1750	18.27	33.52	53.35	91.47						6.9		
1.00	48	4.81	48	4.81	1750	15.52	28.47	45.32	77.70				5.0	6.6	8.2		
1.00	44	4.41	44	4.41	1750	14.15	25.96	41.31	70.84			4.9	5.7	7.2	8.8		
1.00	40	4.01	40	4.01	1750	12.78	23.45	37.32	63.99		4.7	5.5	6.3	7.9	9.5		
1.00	38	3.81	38	3.81	1750	12.10	22.20	35.33	60.58		5.0	5.8	6.6	8.2	9.8		
1.00	36	3.61	36	3.61	1750	11.42	20.95	33.35	57.18	3.8	5.4	6.1	6.9	8.5	10.1		
1.00	34	3.41	34	3.41	1750	10.74	19.71	31.37	53.79	4.1	5.7	6.5	7.2	8.8	10.4		
1.00	32	3.21	32	3.21	1750	10.07	18.47	29.40	50.41	4.4	6.0	6.8	7.6	9.1	10.7		
1.00	30	3.01	30	3.01	1750	9.40	17.24	27.43	47.04	4.7	6.3	7.1	7.9	9.5	11.0		
1.00	28	2.81	28	2.81	1750	8.72	16.01	25.47	43.68	5.0	6.6	7.4	8.2	9.8	11.3		
1.00	26	2.61	26	2.61	1750	8.06	14.78	23.53	40.34	5.4	6.9	7.7	8.5	10.1	11.7		
1.00	24	2.41	24	2.41	1750	7.39	13.56	21.59	37.01	5.7	7.2	8.0	8.8	10.4	12.0		
1.00	22	2.21	22	2.21	1750	6.73	12.35	19.66	33.71	6.0	7.6	8.4	9.1	10.7	12.3		
1.05	38	3.81	40	4.01	1663	12.10	22.20	35.33	60.58		4.9	5.7	6.5	8.0	9.6		
1.06	36	3.61	38	3.81	1658	11.42	20.95	33.35	57.18		5.2	6.0	6.8	8.4	9.9		
1.06	34	3.41	36	3.61	1653	10.74	19.71	31.37	53.79	3.9	5.5	6.3	7.1	8.7	10.2		
1.06	32	3.21	34	3.41	1647	10.07	18.47	29.40	50.41	4.3	5.8	6.6	7.4	9.0	10.6		
1.07	30	3.01	32	3.21	1641	9.40	17.24	27.43	47.04	4.6	6.1	6.9	7.7	9.3	10.9		
1.07	28	2.81	30	3.01	1633	8.72	16.01	25.47	43.68	4.9	6.5	7.2	8.0	9.6	11.2		
1.08	26	2.61	28	2.81	1625	8.06	14.78	23.53	40.34	5.2	6.8	7.6	8.4	9.9	11.5		
1.08	24	2.41	26	2.61	1615	7.39	13.56	21.59	37.01	5.5	7.1	7.9	8.7	10.2	11.8		
1.09	44	4.41	48	4.81	1604	14.15	25.96	41.31	70.84				5.4	6.9	8.5		
1.09	22	2.21	24	2.41	1604	6.73	12.35	19.66	33.71	5.8	7.4	8.2	9.0	10.6	12.1		
1.10	40	4.01	44	4.41	1591	12.78	23.45	37.32	63.99		4.4	5.2	6.0	7.6	9.1		
1.11	72	7.22	80	8.02	1575	23.77	43.62	69.42	119.03								
1.11	36	3.61	40	4.01	1575	11.42	20.95	33.35	57.18		5.0	5.8	6.6	8.2	9.8		
1.12	34	3.41	38	3.81	1566	10.74	19.71	31.37	53.79	3.8	5.4	6.1	6.9	8.5	10.1		
1.13	80	8.02	90	9.02	1556	26.51	48.64	77.42	132.74								
1.13	64	6.42	72	7.22	1556	21.02	38.57	61.39	105.26								
1.13	32	3.21	36	3.61	1556	10.07	18.47	29.40	50.41	4.1	5.7	6.5	7.2	8.8	10.4		
1.13	30	3.01	34	3.41	1544	9.40	17.24	27.43	47.04	4.4	6.0	6.8	7.6	9.1	10.7		
1.14	56	5.61	64	6.42	1531	18.27	33.52	53.35	91.47								
1.14	28	2.81	32	3.21	1531	8.72	16.01	25.47	43.68	4.7	6.3	7.1	7.9	9.5	11.0		
1.15	26	2.61	30	3.01	1517	8.06	14.78	23.53	40.34	5.0	6.6	7.4	8.2	9.8	11.3		
1.16	38	3.81	44	4.41	1511	12.10	22.20	35.33	60.58		4.6	5.4	6.1	7.7	9.3		
1.17	48	4.81	56	5.61	1500	15.52	28.47	45.32	77.70					6.0	7.6		
1.17	24	2.41	28	2.81	1500	7.39	13.56	21.59	37.01	5.4	6.9	7.7	8.5	10.1	11.7		
1.18	34	3.41	40	4.01	1488	10.74	19.71	31.37	53.79		5.2	6.0	6.8	8.3	9.9		
1.18	22	2.21	26	2.61	1481	6.73	12.35	19.66	33.71	5.7	7.2	8.0	8.8	10.4	12.0		
1.19	32	3.21	38	3.81	1474	10.07	18.47	29.40	50.41	3.9	5.5	6.3	7.1	8.7	10.2		
1.20	40	4.01	48	4.81	1458	12.78	23.45	37.32	63.99		4.9	5.7	6.5	8.1	9.7		
1.20	30	3.01	36	3.61	1458	9.40	17.24	27.43	47.04	4.2	5.8	6.6	7.4	9.0	10.6		
1.21	28	2.81	34	3.41	1441	8.72	16.01	25.47	43.68	4.6	6.1	6.9	7.7	9.3	10.9		
1.22	36	3.61	44	4.41	1432	11.42	20.95	33.35	57.18		4.7	5.5	6.3	7.9	9.4		
1.23	26	2.61	32	3.21	1422	8.06	14.78	23.53	40.34	4.9	6.5	7.2	8.0	9.6	11.2		
1.25	72	7.22	90	9.02	1400	23.77	43.62	69.42	119.03								
1.25	64	6.42	80	8.02	1400	21.02	38.57	61.39	105.26								
1.25	32	3.21	40	4.01	1400	10.07	18.47	29.40	50.41	3.8	5.3	6.1	6.9	8.5	10.1		
1.25	24	2.41	30	3.01	1400	7.39	13.56	21.59	37.01	5.2	6.8	7.6	8.3	9.9	11.5		
1.26	38	3.81	48	4.81	1385	12.10	22.20	35.33	60.58		5.0	5.8	6.6	8.2	9.8		
1.27	44	4.41	56	5.61	1375	14.15	25.96	41.31	70.84					6.3	7.9		
1.27	30	3.01	38	3.81	1382	9.40	17.24	27.43	47.04	4.1	5.7	6.4	7.2	8.8	10.4		
1.27	22	2.21	28	2.81	1375	6.73	12.35	19.66	33.71	5.5	7.1	7.9	8.7	10.2	11.8		
1.29	56	5.61	72	7.22	1361	18.27	33.52	53.35	91.47								
1.29	34	3.41	44	4.41	1352	10.74	19.71	31.37	53.79		4.9	5.7	6.4	8.0	9.6		
1.29	28	2.81	36	3.61	1361	8.72	16.01	25.47	43.68	4.4	6.0	6.8	7.6	9.1	10.7		
1.31	26	2.61	34	3.41	1338	8.06	14.78	23.53	40.34	4.7	6.3	7.1	7.9	9.4	11.0		
1.33	48	4.81	64	6.42	1313	15.52	28.47	45.32	77.70						6.9		
1.33	36	3.61	48	4.81	1313	11.42	20.95	33.35	57.18		4.4	5.2	6.0	7.5	9.1		
1.33	30	3.01	40	4.01	1313	9.40	17.24	27.43	47.04	3.9	5.5	6.3	7.1	8.7	10.3		
1.33	24	2.41	34	3.21	1313	7.39	13.56	21.59	37.01	5.0	6.6	7.4	8.2	9.8	11.3		
1.36	28	2.81	38	3.81	1289	8.72	16.01	25.47	43.68	4.2	5.8	6.6	7.4	9.0	10.5		
Multiply HP rating by the belt length factor to determine drive width - BELT LENGTH FACTOR										0.8	0.8	0.8	0.9	0.9	0.9		

PULLEYS



High HP HTS® 8mm Drive Selection Tables

Theoretical Center Distance in Inches for Various Belt Lengths																					
Belt Length Code (mm)																					
880	960	1040	1120	1200	1224	1280	1440	1600	1760	1800	2000	2200	2400	2600	2800	3048	3280	3600	4400	Drive	
0.9	1	1	1	1	1	1.1	1.1	1.1	1.2	1.2	1.2	1.2	1.3	1.3	1.4	1.4	1.4	1.5	1.5	Ratio	
7.2	7.6	9.1	9.5	11.0	11.5	12.6	15.8	18.9	22.1	22.8	26.8	30.7	34.7	38.6	42.5	47.4	52.0	58.3	74.0	1.00	
8.5	8.8	10.4	12.0	13.5	14.0	15.1	18.3	21.4	24.6	25.4	29.3	33.2	37.2	41.1	45.0	49.9	54.5	60.8	76.5	1.00	
9.8	10.1	11.7	13.2	14.8	15.3	16.4	19.5	22.7	25.8	26.6	30.6	34.5	38.4	42.4	46.3	51.2	55.8	62.1	77.8	1.00	
10.4	11.3	12.9	14.5	16.1	16.5	17.6	20.8	23.9	27.1	27.9	31.8	35.8	39.7	43.6	47.6	52.4	57.0	63.3	79.1	1.00	
11.0	12.0	13.5	15.1	16.7	17.2	18.3	21.4	24.6	27.7	28.5	32.4	36.4	40.3	44.3	48.2	53.1	57.6	63.9	79.7	1.00	
11.3	12.6	14.2	15.8	17.3	17.8	18.9	22.1	25.2	28.4	29.1	33.1	37.0	40.9	44.9	48.8	53.7	58.3	64.6	80.3	1.00	
11.7	12.9	14.5	16.1	17.6	18.1	19.2	22.4	25.5	28.7	29.5	33.4	37.3	41.3	45.2	49.1	54.0	58.6	64.9	80.6	1.00	
12.0	13.2	14.8	16.4	18.0	18.4	19.5	22.7	25.8	29.0	29.8	33.7	37.6	41.6	45.5	49.5	54.3	58.9	65.2	80.9	1.00	
12.3	13.5	15.1	16.7	18.3	18.7	19.8	23.0	26.1	29.3	30.1	34.0	38.0	41.9	45.8	49.8	54.7	59.2	65.5	81.3	1.00	
12.6	13.9	15.4	17.0	18.6	19.1	20.2	23.3	26.5	29.6	30.4	34.3	38.3	42.2	46.1	50.1	55.0	59.5	65.8	81.6	1.00	
12.9	14.2	15.8	17.3	18.9	19.4	20.5	23.6	26.8	29.9	30.7	34.7	38.6	42.5	46.5	50.4	55.3	59.8	66.1	81.9	1.00	
13.2	14.5	16.1	17.6	19.2	19.7	20.8	23.9	27.1	30.2	31.0	35.0	38.9	42.8	46.8	50.7	55.6	60.2	66.5	82.2	1.00	
13.5	14.8	16.4	18.0	19.5	20.0	21.1	24.3	27.4	30.6	31.3	35.3	39.2	43.2	47.1	51.0	55.9	60.5	66.8	82.5	1.00	
13.9	15.1	16.7	18.3	19.8	20.3	21.4	24.6	27.7	30.9	31.7	35.6	39.5	43.5	47.4	51.3	56.2	60.8	67.1	82.8	1.00	
11.2	15.4	17.0	18.6	20.2	20.6	21.7	24.9	28.0	31.2	32.0	35.9	39.8	43.8	47.7	51.7	56.5	61.1	67.4	83.2	1.00	
11.5	12.8	14.3	15.9	17.5	18.0	19.1	22.2	25.4	28.5	29.3	33.2	37.2	41.1	45.0	49.0	53.9	58.4	64.7	80.5	1.05	
11.8	13.1	14.7	16.2	17.8	18.3	19.4	22.5	25.7	28.8	29.6	33.5	37.5	41.4	45.4	49.3	54.2	58.7	65.0	80.8	1.06	
12.1	13.4	15.0	16.5	18.1	18.6	19.7	22.8	26.0	29.1	29.9	33.9	37.8	41.7	45.7	49.6	54.5	59.1	65.4	81.1	1.06	
12.4	13.7	15.3	16.9	18.4	18.9	20.0	23.2	26.3	29.5	30.2	34.2	38.1	42.1	46.0	49.9	54.8	59.4	65.7	81.4	1.06	
12.8	14.0	15.6	17.2	18.7	19.2	20.1	23.5	26.6	29.8	30.6	34.5	38.4	42.4	46.3	50.2	55.1	59.7	66.0	81.7	1.07	
13.1	14.3	15.9	17.5	19.1	19.5	20.6	23.8	26.9	30.1	30.9	34.8	38.7	42.7	46.6	50.6	55.4	60.0	66.3	82.1	1.07	
13.4	14.7	16.2	17.8	19.4	19.8	20.9	24.1	27.2	30.4	31.2	35.1	39.1	43.0	46.9	50.9	55.8	60.3	66.6	82.4	1.08	
10.1	15.0	16.5	18.1	19.7	20.2	21.3	24.4	27.6	30.7	31.5	35.4	39.4	43.3	47.2	51.2	56.1	60.6	66.9	82.7	1.08	
10.7	11.7	13.2	14.8	16.4	16.9	18.0	21.1	24.3	27.4	28.2	32.1	36.1	40.0	43.9	47.9	52.8	57.3	63.6	79.4	1.09	
13.7	15.3	16.9	18.4	20.0	20.5	21.6	24.7	27.9	31.0	31.8	35.8	39.7	43.6	47.6	51.6	56.4	60.5	67.2	83.0	1.09	
11.3	12.3	13.9	15.4	17.0	17.5	18.6	21.7	24.9	28.0	28.8	32.8	36.7	40.6	44.6	48.5	53.4	58.0	64.3	80.0	1.10	
11.7	8.5	10.1	11.7	13.2	12.1	13.2	16.4	19.5	22.7	23.5	27.4	31.3	35.3	39.2	43.2	48.0	52.6	58.9	74.6	1.11	
12.0	12.9	14.5	16.1	17.6	18.1	19.2	22.4	25.5	28.7	29.5	33.4	37.3	41.3	45.2	49.1	54.0	58.6	64.9	80.6	1.11	
12.3	13.2	14.8	16.4	18.0	18.4	19.5	22.7	25.8	29.0	29.8	33.7	37.6	41.6	45.5	49.5	54.3	58.9	65.2	80.9	1.12	
12.6	8.2	9.8	11.3	12.9	13.4	14.5	17.6	20.8	23.9	24.7	28.7	32.6	36.5	40.5	44.4	49.3	53.9	60.2	75.9	1.13	
12.9	13.5	15.1	16.7	18.3	18.7	19.8	23.0	26.1	29.3	30.1	34.0	38.0	41.9	45.8	49.8	54.7	59.2	65.5	81.3	1.13	
7.9	13.9	15.4	17.0	18.6	19.1	20.2	23.3	26.5	29.6	30.4	34.3	38.3	42.2	46.1	50.1	55.0	59.5	65.8	81.6	1.13	
12.6	9.4	11.0	12.6	14.2	14.6	15.7	18.9	22.0	25.2	26.0	29.9	33.9	37.8	41.7	45.7	50.6	55.1	61.4	77.2	1.14	
12.9	14.8	16.4	18.0	19.5	19.4	20.5	23.6	26.8	29.9	30.7	34.7	38.6	42.5	46.5	50.4	55.3	59.8	66.1	81.9	1.14	
10.9	14.5	16.1	17.6	19.2	19.7	20.8	23.9	27.1	30.2	31.0	35.0	38.9	42.8	46.8	50.7	55.6	60.2	66.5	82.2	1.15	
9.1	12.4	14.0	15.6	17.2	17.6	18.7	21.9	25.0	28.2	29.0	32.9	36.9	40.8	44.7	48.7	53.5	58.1	64.4	80.2	1.16	
13.2	10.7	12.3	13.9	15.4	15.9	17.0	20.2	23.3	26.5	27.2	31.2	35.1	39.1	43.0	46.9	51.8	56.4	62.7	78.4	1.17	
11.5	14.8	16.4	18.0	19.5	20.0	21.1	24.3	27.4	30.6	31.3	35.3	39.2	43.2	47.1	51.0	55.9	60.5	66.8	82.5	1.17	
13.5	13.1	14.6	16.2	17.8	18.3	19.4	22.5	25.7	28.8	29.6	33.5	37.5	41.4	45.4	49.3	54.2	58.7	65.0	80.8	1.18	
11.8	15.1	16.7	18.3	19.8	20.3	21.4	24.6	27.7	30.9	31.7	35.6	39.5	43.5	47.4	51.3	56.2	60.8	67.1	82.8	1.18	
10.4	13.4	15.0	16.5	18.1	18.6	19.7	22.8	26.0	29.1	29.9	33.9	37.8	41.7	45.7	49.6	54.5	59.1	65.4	81.1	1.19	
12.1	12.0	13.5	15.1	16.7	17.2	18.3	21.4	24.6	27.7	28.5	32.4	36.4	40.3	44.3	48.2	53.1	57.6	63.9	79.7	1.20	
12.4	13.7	15.3	16.9	18.4	18.9	20.0	23.2	26.3	29.5	30.2	34.2	38.1	42.1	46.0	49.9	54.8	59.4	65.7	81.4	1.20	
11.2	14.0	15.6	17.2	18.7	19.2	20.3	23.5	26.6	29.8	30.6	34.5	38.4	42.4	46.3	50.2	55.1	59.7	66.0	81.7	1.21	
12.8	12.6	14.2	15.8	17.3	17.8	18.9	22.0	25.2	28.3	29.1	33.1	37.0	40.9	44.9	48.8	53.7	58.3	64.6	80.3	1.22	
9.3	14.3	15.9	17.5	19.1	19.5	20.6	23.8	26.9	30.1	30.9	34.8	38.7	42.7	46.6	50.6	55.4	60.0	66.3	82.1	1.23	
7.5	9.3	10.8	12.3	13.8	12.4	13.5	16.6	19.7	22.8	23.6	27.5	31.4	35.3	39.2	43.1	47.9	52.6	58.9	74.6	1.25	
11.7	7.5	9.1	10.7	12.3	12.7	13.8	17.0	20.1	23.3	24.1	28.0	32.0	35.9	39.8	43.8	48.7	53.2	59.5	75.3	1.25	
13.1	13.2	14.8	16.4	18.0	18.4	19.5	22.7	25.8	29.0	29.8	33.7	37.6	41.6	45.5	49.5	54.3	58.9	65.2	80.9	1.25	
10.5	14.6	16.2	17.8	19.4	19.8	20.9	24.1	27.2	30.4	31.2	35.1	39.1	43.0	46.9	50.9	55.8	60.3	66.6	82.4	1.25	
9.4	12.1	13.7	15.3	16.8	17.3	18.4	21.6	24.7	27.9	28.7	32.6	36.5	40.5	44.4	48.3	53.2	57.8	64.1	79.8	1.26	
12.0	9.4	11.0	12.6	14.2	14.6	15.7	18.9	22.0	25.2	26.0	29.9	33.9	37.8	41.7	45.7	49.6	54.5	60.8	76.5	1.27	
13.4	12.0	13.5	15.1	16.7	17.2	18.3	21.4	24.6	27.7	28.5	32.4	36.4	40.3	44.3	48.2	53.1	57.6	63.9	79.7	1.27	
7.2	13.7	15.3	16.9	18.4	18.9	20.0	23.2	26.3	29.5	30.2	34.2	38.1	42.1	46.0	49.9	54.8	59.4	65.7	81.4	1.27	
11.2	13.5	15.1	16.7	18.3	18.7	19.8	23.0	26.1	29.3	30.1	34.0	38.0	41.9	45.8	49.8	54.7	59.2	65.5	81.3	1.27	
12.6	14.0	15.6	17.2	18.7	19.2	20.1	23.5	26.6	29.8	30.6	34.5	38.4	42.4	46.3	50.2	55.1	59.7	66.0	81.7	1.27	
8.5	14.3	15.9	17.5	19.1	19.5	20.6	23.8	26.9	30.1	30.9	34.8	38.7	42.7	46.6	50.6	55.4	60.0	66.3	82.1	1.29	
11.2	7.2	8.8	10.4	11.9	13.5	14.0	15.1	18.3	21.4	24.6	25.4	29.3	33.2	37.2	41.1	45.0	49.9	54.5	60.8	76.5	1.29
12.3	12.8	14.3	15.9	17.5	18.0	19.1	22.2	25.4	28.5	29.3	33.2	37.2	41.1	45.0	49.0	53.9	58.4	64.7	80.5	1.29	
12.6	13.9	15.4	17.0	18.6	19.1	20.2	23.3	26.5	29.6	30.4	34.3	38.3	42.2	46.1	50.1	55.0	59.5	65.8	81.6	1.29	
8.5	14.2	15.7	17.3	18.9	19.4	20.5	23.6	26.8	29.9	30.7	34.6	38.6	42.5	46.5	50.4	55.3	59.8	66.1	81.9	1.31	
10.7	8.5	10.1	11																		

High HP HTS® 8mm Drive Selection Tables



Sprocket Combination						HP Ratings @1750 RPM Driver											
Drive	Driver		Driven		DN	RPP Panther Belt Widths (mm)											
Ratio	No. Teeth	P.D.	No. Teeth	P.D.	RPM	12	22	35	60	480	560	600	640	720	800		
Multiply HP rating by the belt length factor to determine drive width - BELT LENGTH FACTOR										0.8	0.8	0.8	0.9	0.9	0.9		
1.36	22	2.21	30	3.01	1283	6.73	12.35	19.66	33.71	5.3	6.9	7.7	8.5	10.1	11.7		
1.38	32	3.21	44	4.41	1273	10.07	18.47	29.40	50.41		5.0	5.8	6.6	8.2	9.8		
1.38	26	2.61	36	3.61	1264	8.06	14.78	23.53	40.34	4.5	6.1	6.9	7.7	9.3	10.9		
1.40	80	8.02	112	11.23	1250	26.51	48.64	77.42	132.74								
1.40	40	4.01	56	5.61	1250	12.78	23.45	37.32	63.99				5.0	6.6	8.2		
1.41	64	6.42	90	9.02	1244	21.02	38.57	61.39	105.26								
1.41	34	3.41	48	4.81	1240	10.74	19.71	31.37	53.79		4.5	5.3	6.1	7.7	9.3		
1.42	24	2.41	34	3.41	1235	7.39	13.56	21.59	37.01	4.9	6.4	7.2	8.0	9.6	11.2		
1.43	56	5.61	80	8.02	1225	18.27	33.52	53.35	91.47								
1.43	28	2.81	40	4.01	1225	8.72	16.01	25.47	43.68	4.1	5.6	6.4	7.2	8.8	10.4		
1.45	44	4.41	64	6.42	1203	14.15	25.96	41.31	70.84					5.6	7.2		
1.45	22	2.21	32	3.21	1203	6.73	12.35	19.66	33.71	5.2	6.8	7.5	8.3	9.9	11.5		
1.46	26	2.61	38	3.81	1197	8.06	14.78	23.53	40.34	4.4	6.0	6.7	7.5	9.1	10.7		
1.47	38	3.81	56	5.61	1188	12.10	22.20	35.33	60.58				5.1	6.7	8.3		
1.47	30	3.01	44	4.41	1193	9.40	17.24	27.43	47.04		5.2	5.9	6.7	8.3	9.9		
1.50	48	4.81	72	7.22	1167	15.52	28.47	45.32	77.70						6.2		
1.50	32	3.21	48	4.81	1167	10.07	18.47	29.40	50.41		4.7	5.5	6.3	7.8	9.4		
1.50	24	2.41	36	3.61	1167	7.39	13.56	21.59	37.01	4.7	6.3	7.1	7.9	9.4	11.0		
1.54	26	2.61	40	4.01	1138	8.06	14.78	23.53	40.34	4.2	5.8	6.6	7.4	9.0	10.5		
1.55	22	2.21	34	3.41	1132	6.73	12.35	19.66	33.71	5.0	6.6	7.4	8.2	9.8	11.3		
1.56	72	7.22	112	11.23	1125	23.77	43.62	69.42	119.03								
1.56	36	3.61	56	5.61	1125	11.42	20.95	33.35	57.18				5.3	6.9	8.4		
1.57	28	2.81	44	4.41	1114	8.72	16.01	25.47	43.68	3.7	5.3	6.1	6.9	8.5	10.1		
1.58	24	2.41	38	3.81	1105	7.39	13.56	21.59	37.01	4.5	6.1	6.9	7.7	9.3	10.8		
1.60	40	4.01	64	6.42	1094	12.78	23.45	37.32	63.99					5.9	7.5		
1.60	30	3.01	48	4.81	1094	9.40	17.24	27.43	47.04		4.8	5.6	6.4	8.0	9.6		
1.61	56	5.61	90	9.02	1089	18.27	33.52	53.35	91.47						6.5		
1.64	44	4.41	72	7.22	1069	14.15	25.96	41.31	70.84						6.5		
1.64	22	2.21	36	3.61	1069	6.73	12.35	19.66	33.71	4.8	6.4	7.2	8.0	9.6	11.2		
1.65	34	3.41	56	5.61	1063	10.74	19.71	31.37	53.79			4.6	5.4	7.0	8.6		
1.67	48	4.81	80	8.02	1050	15.52	28.47	45.32	77.70								
1.67	24	2.41	40	4.01	1050	7.39	13.56	21.59	37.01	4.3	5.9	6.7	7.5	9.1	10.7		
1.68	38	3.81	64	6.42	1039	12.10	22.20	35.33	60.58					6.0	7.6		
1.69	26	2.61	44	4.41	1034	8.06	14.78	23.53	40.34	3.8	5.4	6.2	7.0	8.6	10.2		
1.71	28	2.81	48	4.81	1021	8.72	16.01	25.47	43.68		4.9	5.7	6.5	8.1	9.7		
1.73	22	2.21	38	3.81	1013	6.73	12.35	19.66	33.71	4.7	6.3	7.0	7.8	9.4	11.0		
1.75	64	6.42	112	11.23	1000	21.02	38.57	61.39	105.26								
1.75	32	3.21	56	5.61	1000	10.07	18.47	29.40	50.41			4.7	5.5	7.1	8.7		
1.78	36	3.61	64	6.42	984	11.42	20.95	33.35	57.18					6.1	7.8		
1.80	80	8.02	144	14.44	972	26.51	48.64	77.42	132.74								
1.80	40	4.01	72	7.22	972	12.78	23.45	37.32	63.99						6.7		
1.82	44	4.41	80	8.02	963	14.15	25.96	41.31	70.84								
1.82	22	2.21	40	4.01	963	6.73	12.35	19.66	33.71	4.5	6.1	6.9	7.7	9.3	10.8		
1.83	24	2.41	44	4.41	955	7.39	13.56	21.59	37.01	4.0	5.6	6.4	7.2	8.8	10.4		
1.85	26	2.61	48	4.81	948	8.06	14.78	23.53	40.34		5.1	5.9	6.7	8.3	9.9		
1.87	30	3.01	56	5.61	938	9.40	17.24	27.43	47.04			4.9	5.7	7.3	8.9		
1.88	48	4.81	90	9.02	933	15.52	28.47	45.32	77.70								
1.88	34	3.41	64	6.42	930	10.74	19.71	31.37	53.79					6.3	7.9		
1.89	38	3.81	72	7.22	924	12.10	22.20	35.33	60.58						6.9		
2.00	72	7.22	144	14.44	875	23.77	43.62	69.42	119.03								
2.00	56	5.61	112	11.23	875	18.27	33.52	53.35	91.47								
2.00	40	4.01	80	8.02	875	12.78	23.45	37.32	63.99								
2.00	36	3.61	72	7.22	875	11.42	20.95	33.35	57.18						7.0		
2.00	32	3.21	64	6.42	875	10.07	18.47	29.40	50.41					6.4	8.0		
2.00	28	2.81	56	5.61	875	8.72	16.01	25.47	43.68			5.0	5.8	7.4	9.0		
2.00	24	2.41	48	4.81	875	7.39	13.56	21.59	37.01		5.2	6.0	6.8	8.4	10.0		
2.00	22	2.21	44	4.41	875	6.73	12.35	19.66	33.71	4.1	5.7	6.5	7.3	8.9	10.5		
2.05	44	4.41	90	9.02	856	14.15	25.96	41.31	70.84								
2.11	38	3.81	80	8.02	831	12.10	22.20	35.33	60.58						6.1		
2.12	34	3.41	72	7.22	826	10.74	19.71	31.37	53.79					5.5	7.2		
2.13	30	3.01	64	6.42	820	9.40	17.24	27.43	47.04				4.9	6.6	8.2		
2.15	26	2.61	56	5.61	813	8.06	14.78	23.53	40.34		4.3	5.1	6.0	7.6	9.2		
2.18	22	2.21	48	4.81	802	6.73	12.35	19.66	33.71	3.7	5.4	6.2	7.0	8.6	10.2		
2.22	36	3.61	80	8.02	788	11.42	20.95	33.35	57.18						6.2		
2.25	64	6.42	144	14.44	778	21.02	38.57	61.39	105.26								
Multiply HP rating by the belt length factor to determine drive width - BELT LENGTH FACTOR										0.8	0.8	0.8	0.9	0.9	0.9		

PULLEYS

High HP HTS® 8mm Drive Selection Tables



Sprocket Combination						HP Ratings @1750 RPM Driver									
Drive	Driver		Driven		DN	RPP Panther Belt Widths (mm)									
Ratio	No. Teeth	P.D.	No. Teeth	P.D.	RPM	12	22	35	60	480	560	600	640	720	800
Multiply HP rating by the belt length factor to determine drive width - BELT LENGTH FACTOR										0.8	0.8	0.8	0.9	0.9	0.9
2.25	40	4.01	90	9.02	778	12.78	23.45	37.32	63.99						
2.25	32	3.21	72	7.22	778	10.07	18.47	29.40	50.41						
2.29	28	2.81	64	6.42	766	8.72	16.01	25.47	43.68			5.0	6.7	5.6	7.3
2.33	48	4.81	112	11.23	750	15.52	28.47	45.32	77.70						
2.33	24	2.41	56	5.61	750	7.39	13.56	21.59	37.01		4.4	5.3	6.1	7.7	9.3
2.35	34	3.41	80	8.02	744	10.74	19.71	31.37	53.79						6.4
2.37	38	3.81	90	9.02	739	12.10	22.20	35.33	60.58						
2.40	80	8.02	192	19.25	729	26.51	48.64	77.42	132.74						
2.40	30	3.01	72	7.22	729	9.40	17.24	27.43	47.04					5.8	7.4
2.46	26	2.61	64	6.42	711	8.06	14.78	23.53	40.34				5.2	6.8	8.5
2.50	36	3.61	90	9.02	700	11.42	20.95	33.35	57.18						
2.50	32	3.21	80	8.02	700	10.07	18.47	29.40	50.41						6.5
2.55	44	4.41	112	11.23	688	14.15	25.96	41.31	70.84						
2.55	22	2.21	56	5.61	688	6.73	12.35	19.66	33.71		4.6	5.4	6.2	7.9	9.5
2.57	56	5.61	144	14.44	681	18.27	33.52	53.35	91.47						
2.57	28	2.81	72	7.22	681	8.72	16.01	25.47	43.68					5.9	7.6
2.65	34	3.41	90	9.02	661	10.74	19.71	31.37	53.79						
2.67	72	7.22	192	19.25	656	23.77	43.62	69.42	119.03						
2.67	30	3.01	80	8.02	656	9.40	17.24	27.43	47.04						6.6
2.67	24	2.41	64	6.42	656	7.39	13.56	21.59	37.01			4.4	5.3	7.0	8.6
2.77	26	2.61	72	7.22	632	8.06	14.78	23.53	40.34					6.0	7.7
2.80	40	4.01	112	11.23	625	12.78	23.45	37.32	63.99						
2.81	32	3.21	90	9.02	622	10.07	18.47	29.40	50.41						
2.86	28	2.81	80	8.02	613	8.72	16.01	25.47	43.68						6.7
2.91	22	2.21	64	6.42	602	6.73	12.35	19.66	33.71			4.5	5.4	7.1	8.7
2.95	38	3.81	112	11.23	594	12.10	22.20	35.33	60.58						
3.00	64	6.42	192	19.25	583	21.02	38.57	61.39	105.26						
3.00	48	4.81	144	14.44	583	15.52	28.47	45.32	77.70						
3.00	30	3.01	90	9.02	583	9.40	17.24	27.43	47.04						
3.00	24	2.41	72	7.22	583	7.39	13.56	21.59	37.01					6.1	7.8
3.08	26	2.61	80	8.02	569	8.06	14.78	23.53	40.34						6.9
3.11	36	3.61	112	11.23	563	11.42	20.95	33.35	57.18						
3.21	28	2.81	90	9.02	544	8.72	16.01	25.47	43.68						
3.27	44	4.41	144	14.44	535	14.15	25.96	41.31	70.84						
3.27	22	2.21	72	7.22	535	6.73	12.35	19.66	33.71					6.3	8.0
3.29	34	3.41	112	11.23	531	10.74	19.71	31.37	53.79						
3.33	24	2.41	80	8.02	525	7.39	13.56	21.59	37.01						7.0
3.43	56	5.61	192	19.25	510	18.27	33.52	53.35	91.47						
3.46	26	2.61	90	9.02	506	8.06	14.78	23.53	40.34						
3.50	32	3.21	112	11.23	500	10.07	18.47	29.40	50.41						
3.60	40	4.01	144	14.44	486	12.78	23.45	37.32	63.99						
3.64	22	2.21	80	8.02	481	6.73	12.35	19.66	33.71					5.3	7.1
3.73	30	3.01	112	11.23	469	9.40	17.24	27.43	47.04						
3.75	24	2.41	90	9.02	467	7.39	13.56	21.59	37.01						5.8
3.79	38	3.81	144	14.44	462	12.10	22.20	35.33	60.58						
4.00	48	4.81	192	19.25	438	15.52	28.47	45.32	77.70						
4.00	36	3.61	144	14.44	438	11.42	20.95	33.35	57.18						
4.00	28	2.81	112	11.23	438	8.72	16.01	25.47	43.68						
4.09	22	2.21	90	9.02	428	6.73	12.35	19.66	33.71						5.9
4.24	34	3.41	144	14.44	413	10.74	19.71	31.37	53.79						
4.31	26	2.61	112	11.23	406	8.06	14.78	23.53	40.34						
4.36	44	4.41	192	19.25	401	14.15	25.96	41.31	70.84						
4.50	32	3.21	144	14.44	389	10.07	18.47	29.40	50.41						
4.67	24	2.41	112	11.23	375	7.39	13.56	21.59	37.01						
4.80	40	4.01	192	19.25	365	12.78	23.45	37.32	63.99						
4.80	30	3.01	144	14.44	365	9.40	17.24	27.43	47.04						
5.05	38	3.81	192	19.25	346	12.10	22.20	35.33	60.58						
5.09	22	2.21	112	11.23	344	6.73	12.35	19.66	33.71						
5.14	28	2.81	144	14.44	340	8.72	16.01	25.47	43.68						
5.33	36	3.61	192	19.25	328	11.42	20.95	33.35	57.18						
5.54	26	2.61	144	14.44	316	8.06	14.78	23.53	40.34						
5.65	34	3.41	192	19.25	310	10.74	19.71	31.37	53.79						
6.00	32	3.21	192	19.25	292	10.07	18.47	29.40	50.41						
6.00	24	2.41	144	14.44	292	7.39	13.56	21.59	37.01						
6.40	30	3.01	192	19.25	273	9.40	17.24	27.43	47.04						
6.55	22	2.21	144	14.44	267	6.73	12.35	19.66	33.71						
6.86	28	2.81	192	19.25	255	8.72	16.01	25.47	43.68						
7.38	26	2.61	192	19.25	237	8.06	14.78	23.53	40.34						
8.00	24	2.41	192	19.25	219	7.39	13.56	21.59	37.01						
8.73	22	2.21	192	19.25	201	6.73	12.35	19.66	33.71						
Multiply HP rating by the belt length factor to determine drive width - BELT LENGTH FACTOR										0.8	0.8	0.8	0.9	0.9	0.9

PULLEYS



High HP HTS® 8mm Drive Selection Tables

Theoretical Center Distance in Inches for Various Belt Lengths																					
Belt Length Code (mm)																					
880	960	1040	1120	1200	1224	1280	1440	1600	1760	1800	2000	2200	2400	2600	2800	3048	3280	3600	4400	Drive	
0.9	1	1	1	1	1	1.1	1.1	1.1	1.2	1.2	1.2	1.2	1.3	1.3	1.4	1.4	1.4	1.5	1.5	Ratio	
6.6	8.3	9.9	11.5	13.2	13.6	14.8	17.9	21.1	24.3	25.1	29.0	33.0	36.9	40.9	44.8	49.7	54.3	60.6	76.3	2.25	
8.9	10.5	12.1	13.7	15.3	15.8	16.9	20.1	23.2	26.4	27.2	31.1	35.1	39.0	43.0	46.9	51.8	56.3	62.7	78.4	2.25	
9.9	11.5	13.1	14.7	16.3	16.8	17.9	21.0	24.2	27.3	28.1	32.1	36.0	40.0	43.9	47.8	52.7	57.3	63.6	79.4	2.29	
			8.9	10.5	11.0	12.2	15.4	18.6	21.8	22.6	26.6	30.5	34.5	38.5	42.4	47.3	51.9	58.2	74.0	2.33	
10.9	12.5	14.1	15.7	17.3	17.7	18.8	22.0	25.2	28.3	29.1	33.0	37.0	40.9	44.9	48.8	53.7	58.3	64.6	80.3	2.33	
8.0	9.6	11.3	12.9	14.5	14.9	16.1	19.2	22.4	25.6	26.4	30.3	34.3	38.2	42.1	46.1	51.0	55.5	61.9	77.6	2.35	
6.7	8.4	10.1	11.7	13.3	13.8	14.9	18.1	21.3	24.4	25.2	29.2	33.1	37.1	41.0	45.0	49.9	54.4	60.7	76.5	2.37	
											17.0	21.1	25.2	29.2	33.2	38.2	42.8	49.1	65.0	2.40	
9.1	10.7	12.3	13.9	15.5	15.9	17.0	20.2	23.4	26.5	27.3	31.3	35.2	39.2	43.1	47.0	51.9	56.5	62.8	78.6	2.40	
10.1	11.7	13.3	14.8	16.4	16.9	18.0	21.2	24.3	27.5	28.3	32.2	36.2	40.1	44.1	48.0	52.9	57.5	63.8	79.5	2.46	
6.9	8.5	10.2	11.8	13.4	13.9	15.0	18.2	21.4	24.6	25.4	29.3	33.3	37.2	41.2	45.1	50.0	54.6	60.9	76.7	2.50	
8.2	9.8	11.4	13.0	14.6	15.1	16.2	19.4	22.6	25.7	26.5	30.5	34.4	38.4	42.3	46.2	51.1	55.7	62.0	77.8	2.50	
			9.1	10.8	11.3	12.4	15.7	18.9	22.1	22.9	26.9	30.8	34.8	38.8	42.7	47.6	52.2	58.5	74.3	2.55	
11.1	12.6	14.2	15.8	17.4	17.9	19.0	22.1	25.3	28.5	29.2	33.2	37.1	41.1	45.0	49.0	53.8	58.4	64.7	80.5	2.55	
							11.8	15.1	18.4	19.2	23.2	27.2	31.2	35.2	39.1	44.0	48.6	54.9	70.7	2.57	
9.2	10.8	12.4	14.0	15.6	16.1	17.2	20.4	23.5	26.7	27.5	31.4	35.4	39.3	43.3	47.2	52.1	56.7	63.0	78.7	2.57	
7.0	8.7	10.3	12.0	13.6	14.1	15.2	18.4	21.6	24.7	25.5	29.5	33.4	37.4	41.3	45.3	50.2	54.7	61.0	76.8	2.65	
											13.3	17.5	21.7	25.8	29.8	33.8	38.7	43.4	49.7	65.6	2.67
8.3	9.9	11.5	13.2	14.8	15.2	16.3	19.5	22.7	25.9	26.7	30.6	34.6	38.5	42.5	46.4	51.3	55.9	62.2	77.9	2.67	
10.2	11.8	13.4	15.0	16.6	17.1	18.2	21.3	24.5	27.6	28.4	32.4	36.3	40.3	44.2	48.2	53.0	57.6	63.9	79.7	2.67	
9.3	10.9	12.5	14.1	15.7	16.2	17.3	20.5	23.7	26.8	27.6	31.6	35.5	39.5	43.4	47.4	52.2	56.8	63.1	78.9	2.77	
		7.6	9.4	11.1	11.6	12.7	16.0	19.2	22.4	23.2	27.2	31.1	35.1	39.1	43.0	47.9	52.5	58.8	74.6	2.80	
7.1	8.8	10.5	12.1	13.7	14.2	15.3	18.5	21.7	24.9	25.7	29.6	33.6	37.5	41.5	45.4	50.3	54.9	61.2	77.0	2.81	
8.4	10.1	11.7	13.3	14.9	15.4	16.5	19.7	22.8	26.0	26.8	30.8	34.7	38.7	42.6	46.5	51.4	56.0	62.3	78.1	2.86	
10.3	11.9	13.5	15.1	16.7	17.2	18.3	21.5	24.6	27.8	28.6	32.5	36.5	40.4	44.4	48.3	53.2	57.8	64.1	79.8	2.91	
		7.8	9.5	11.2	11.7	12.9	16.1	19.3	22.5	23.3	27.3	31.3	35.2	39.2	43.2	48.1	52.6	58.9	74.7	2.95	
									12.9	13.8	18.1	22.2	26.3	30.3	34.4	39.3	43.9	50.3	66.2	3.00	
7.2	8.9	10.6	12.2	13.9	14.3	15.5	18.7	21.8	25.0	25.8	29.8	33.7	37.7	41.6	45.6	50.5	55.0	61.3	77.1	3.00	
9.5	11.1	12.7	14.3	15.9	16.4	17.5	20.7	23.8	27.0	27.8	31.7	35.7	39.6	43.6	47.5	52.4	57.0	63.3	79.0	3.00	
8.5	10.2	11.8	13.4	15.0	15.5	16.6	19.8	23.0	26.2	27.0	30.9	34.9	38.8	42.8	46.7	51.6	56.2	62.5	78.2	3.08	
		7.9	9.6	11.3	11.8	13.0	16.2	19.5	22.7	23.5	27.5	31.4	35.4	39.3	43.3	48.2	52.8	59.1	74.9	3.11	
7.4	9.1	10.7	12.4	14.0	14.5	15.6	18.8	22.0	25.2	26.0	29.9	33.9	37.8	41.8	45.7	50.6	55.2	61.5	77.3	3.21	
							12.5	15.9	19.2	20.0	24.0	28.1	32.1	36.0	40.0	44.9	49.5	55.8	71.6	3.27	
9.6	11.2	12.8	14.4	16.0	16.5	17.6	20.8	24.0	27.1	27.9	31.9	35.8	39.8	43.7	47.7	52.5	57.1	63.4	79.2	3.27	
		8.0	9.8	11.5	12.0	13.1	16.4	19.6	22.8	23.6	27.6	31.6	35.5	39.5	43.5	48.4	52.9	59.2	75.0	3.29	
8.7	10.3	12.0	13.6	15.2	15.7	16.8	20.0	23.1	26.3	27.1	31.1	35.0	39.0	42.9	46.9	51.7	56.3	62.6	78.4	3.33	
									13.3	14.2	18.6	22.8	26.9	30.9	34.9	39.9	44.5	50.9	66.7	3.43	
7.5	9.2	10.9	12.5	14.1	14.6	15.7	18.9	22.1	25.3	26.1	30.1	34.0	38.0	41.9	45.9	50.8	55.3	61.7	77.4	3.46	
		8.1	9.9	11.6	12.1	13.3	16.5	19.8	23.0	23.8	27.7	31.7	35.7	39.6	43.6	48.5	53.1	59.4	75.2	3.50	
							12.8	16.2	19.5	20.3	24.3	28.3	32.3	36.3	40.3	45.2	49.8	56.1	71.9	3.60	
8.8	10.5	12.1	13.7	15.3	15.8	16.9	20.1	23.3	26.5	27.3	31.2	35.2	39.1	43.1	47.0	51.9	56.5	62.8	78.5	3.64	
		8.2	10.0	11.7	12.2	13.4	16.7	19.9	23.1	23.9	27.9	31.9	35.8	39.8	43.7	48.7	53.2	59.5	75.3	3.73	
7.6	9.3	11.0	12.6	14.3	14.8	15.9	19.1	22.3	25.5	26.3	30.2	34.2	38.1	42.1	46.0	50.9	55.5	61.8	77.6	3.75	
						9.3	12.9	16.3	19.6	20.4	24.5	28.5	32.5	36.5	40.4	45.4	50.0	56.3	72.1	3.79	
							13.8	17.1	20.5	21.3	25.3	29.3	33.3	37.3	41.3	46.2	50.8	57.1	72.9	4.00	
							14.7	18.1	21.5	22.3	26.3	30.3	34.3	38.3	42.3	47.2	51.8	58.1	73.9	4.00	
							15.6	19.1	22.5	23.3	27.3	31.3	35.3	39.3	43.3	48.2	52.8	59.1	74.9	4.00	
							16.5	19.9	23.3	24.1	28.1	32.1	36.1	40.1	44.1	49.0	53.6	60.0	75.9	4.00	
							17.4	20.2	24.0	24.8	28.8	32.8	36.8	40.8	44.8	49.7	54.3	60.6	76.4	4.00	
							18.3	20.5	24.2	25.0	29.0	33.0	37.0	41.0	45.0	50.0	54.6	61.0	76.8	4.00	
							19.2	20.8	24.4	25.2	29.2	33.2	37.2	41.2	45.2	50.2	54.8	61.2	77.0	4.00	
							20.1	21.1	24.6	25.4	29.4	33.4	37.4	41.4	45.4	50.4	55.0	61.4	77.2	4.00	
							21.0	21.4	24.8	25.6	29.6	33.6	37.6	41.6	45.6	50.6	55.2	61.6	77.4	4.00	
							21.9	21.7	24.9	25.7	29.7	33.7	37.7	41.7	45.7	50.7	55.3	61.7	77.4	4.00	
							22.8	22.0	25.0	25.8	29.8	33.8	37.8	41.8	45.8	50.8	55.4	61.8	77.4	4.00	
							23.7	22.3	25.2	26.0	30.0	34.0	38.0	42.0	46.0	51.0	55.6	62.0	77.6	4.00	
							24.6	22.6	25.4	26.2	30.2	34.2	38.2	42.2	46.2	51.2	55.8	62.2	77.8	4.00	
							25.5	22.9	25.6	26.4	30.4	34.4	38.4	42.4	46.4	51.4	56.0	62.4	78.0	4.00	
							26.4	23.2	25.8	26.6	30.6	34.6	38.6	42.6	46.6	51.6	56.2	62.6	78.2	4.00	
							27.3	23.5	26.0	26.8	30.8	34.8	38.8	42.8	46.8	51.8	56.4	62.8	78.4	4.00	
							28.2	23.8	26.2	27.0	31.0	35.0	39.0	43.0	47.0	52.0	56.6	63.0	78.6	4.00	
							29.1	24.1	26.4	27.2	31.2	35.2	39.2	43.2	47.2	52.2	56.8	63.2	78.8	4.00	
							30.0	24.4	26.6	27.4	31.4	35.4	39.4	43.4	47.4	52.4	57.0	63.4	79.0	4.00	
							30.9	24.7	26.8	27.6	31.6	35.6	39.6	43.6	47.6	52.6	57.2	63.6	79.2	4.00	
							31.8	25.0	27.0	27.8	31.8	35.8	39.8	43.8	47.8	52.8	57.4	63.8	79.4	4.00	
							32.7	25.3	27.2	28.0	32.0	36.0	40.0	44.0	48.0	53.0	57.6	64.0	79.6	4.00	
							33.6	25.6	27.4	28.2	32.2	36.2	40.2	44.2	48.2	53.2	57.8	64.2	79.8	4.00	
	</																				

High HP HTS® 14mm Drive Selection Tables



Sprocket Combination					HP Ratings @1750 RPM Driver						HP Ratings@1160 RPM					
Drive Ratio	Driver		Driven		DN RPM	RPP Panther Belt Widths (mm)					DN RPM	RPP Panther Belt Widths (mm)				
	No. Teeth	P.D.	No. Teeth	P.D.		20	42	65	90	120		20	42	65	90	120
Multiply HP rating by the belt length factor to determine drive width - BELT LENGTH FACTOR																
1.00	80	14.04	80	14.04	1750						1160	97.34	204.63	316.79	438.71	585.01
1.00	72	12.63	72	12.63	1750	114.01	239.67	371.04	513.84	685.19	1160	88.19	185.40	287.03	397.49	530.05
1.00	68	11.93	68	11.93	1750	108.63	228.36	353.54	489.60	652.87	1160	83.54	175.62	271.89	376.53	502.09
1.00	64	11.23	64	11.23	1750	103.08	216.69	335.47	464.58	619.51	1160	78.84	165.74	256.60	355.35	473.85
1.00	60	10.53	60	10.53	1750	97.37	204.69	316.89	438.84	585.19	1160	74.10	155.77	241.16	333.97	445.34
1.00	56	9.83	56	9.83	1750	91.51	192.37	297.82	412.43	549.97	1160	69.31	145.71	225.58	312.40	416.58
1.00	52	9.12	52	9.12	1750	85.51	179.76	278.29	385.39	513.91	1160	64.49	135.57	209.88	290.65	387.58
1.00	48	8.42	48	8.42	1750	79.38	166.87	258.34	357.77	477.08	1160	59.63	125.36	194.07	268.75	358.38
1.00	44	7.72	44	7.72	1750	73.13	153.74	238.02	329.62	439.54	1160	54.74	115.07	178.15	246.71	328.99
1.00	40	7.02	40	7.02	1750	66.78	140.39	217.34	300.98	401.35	1160	49.82	104.73	162.14	224.54	299.42
1.00	38	6.67	38	6.67	1750	63.57	133.63	206.88	286.50	382.04	1160	47.35	99.54	154.10	213.41	284.58
1.00	36	6.32	36	6.32	1750	60.33	126.83	196.35	271.91	362.59	1160	44.88	94.34	146.05	202.26	269.71
1.00	34	5.97	34	5.97	1750	57.07	119.98	185.75	257.23	343.02	1160	42.40	89.12	137.98	191.08	254.80
1.00	32	5.61	32	5.61	1750	53.80	113.09	175.08	242.46	323.32	1160	39.91	83.90	129.89	179.88	239.86
1.00	30	5.26	30	5.26	1750	50.50	106.16	164.36	227.61	303.52	1160	37.42	78.67	121.79	168.66	224.90
1.00	29	5.09	29	5.09	1750	48.85	102.69	158.97	220.16	293.57	1160	36.17	76.05	117.73	163.04	217.41
1.00	28	4.91	28	4.91	1750	47.19	99.20	153.58	212.68	283.61	1160	34.93	73.42	113.67	157.42	209.91
1.03	29	5.09	30	5.26	1692	48.85	102.69	158.97	220.16	293.57	1121	36.17	76.05	117.73	163.04	217.41
1.04	28	4.91	29	5.09	1690	47.19	99.20	153.58	212.68	283.61	1120	34.93	73.42	113.67	157.42	209.91
1.05	38	6.67	40	7.02	1663	63.57	133.63	206.88	286.50	382.04	1102	47.35	99.54	154.10	213.41	284.58
1.06	36	6.32	38	6.67	1658	60.33	126.83	196.35	271.91	362.59	1099	44.88	94.34	146.05	202.26	269.71
1.06	68	11.93	72	12.63	1653	108.63	228.36	353.54	489.60	652.87	1096	83.54	175.62	271.89	376.53	502.09
1.06	34	5.97	36	6.32	1653	57.07	119.98	185.75	257.23	343.02	1096	42.40	89.12	137.98	191.08	254.80
1.06	64	11.23	68	11.93	1647	103.08	216.69	335.47	464.58	619.51	1092	78.84	165.74	256.60	355.35	473.85
1.06	32	5.61	34	5.97	1647	53.80	113.09	175.08	242.46	323.32	1092	39.91	83.90	129.89	179.88	239.86
1.07	60	10.53	64	11.23	1641	97.37	204.69	316.89	438.84	585.19	1088	74.10	155.77	241.16	333.97	445.34
1.07	30	5.26	32	5.61	1641	50.50	106.16	164.36	227.61	303.52	1088	37.42	78.67	121.79	168.66	224.90
1.07	56	9.83	60	10.53	1633	91.51	192.37	297.82	412.43	549.97	1083	69.31	145.71	225.58	312.40	416.58
1.07	28	4.91	30	5.26	1633	47.19	99.20	153.58	212.68	283.61	1083	34.93	73.42	113.67	157.42	209.91
1.08	52	9.12	56	9.83	1625	85.51	179.76	278.29	385.39	513.91	1077	64.49	135.57	209.88	290.65	387.58
1.08	48	8.42	52	9.12	1615	79.38	166.87	258.34	357.77	477.08	1071	59.63	125.36	194.07	268.75	358.38
1.09	44	7.72	48	8.42	1604	73.13	153.74	238.02	329.62	439.54	1063	54.74	115.07	178.15	246.71	328.99
1.10	40	7.02	44	7.72	1591	66.78	140.39	217.34	300.98	401.35	1055	49.82	104.73	162.14	224.54	299.42
1.10	29	5.09	32	5.61	1586	48.85	102.69	158.97	220.16	293.57	1051	36.17	76.05	117.73	163.04	217.41
1.11	72	12.63	80	14.04	1575	114.01	239.67	371.04	513.84	685.19	1044	88.19	185.40	287.03	397.49	530.05
1.11	36	6.32	40	7.02	1575	60.33	126.83	196.35	271.91	362.59	1044	44.88	94.34	146.05	202.26	269.71
1.12	34	5.97	38	6.67	1566	57.07	119.98	185.75	257.23	343.02	1038	42.40	89.12	137.98	191.08	254.80
1.13	64	11.23	72	12.63	1556	103.08	216.69	335.47	464.58	619.51	1031	78.84	165.74	256.60	355.35	473.85
1.13	32	5.61	36	6.32	1556	53.80	113.09	175.08	242.46	323.32	1031	39.91	83.90	129.89	179.88	239.86
1.13	80	14.04	90	15.79	1556						1031	97.34	204.63	316.79	438.71	585.01
1.13	60	10.53	68	11.93	1544	97.37	204.69	316.89	438.84	585.19	1024	74.10	155.77	241.16	333.97	445.34
1.13	30	5.26	34	5.97	1544	50.50	106.16	164.36	227.61	303.52	1024	37.42	78.67	121.79	168.66	224.90
1.14	56	9.83	64	11.23	1531	91.51	192.37	297.82	412.43	549.97	1015	69.31	145.71	225.58	312.40	416.58
1.14	28	4.91	32	5.61	1531	47.19	99.20	153.58	212.68	283.61	1015	34.93	73.42	113.67	157.42	209.91
1.15	52	9.12	60	10.53	1517	85.51	179.76	278.29	385.39	513.91	1005	64.49	135.57	209.88	290.65	387.58
1.16	38	6.67	44	7.72	1511	63.57	133.63	206.88	286.50	382.04	1002	47.35	99.54	154.10	213.41	284.58
1.17	48	8.42	56	9.83	1500	79.38	166.87	258.34	357.77	477.08	994	59.63	125.36	194.07	268.75	358.38
1.17	29	5.09	34	5.97	1493	48.85	102.69	158.97	220.16	293.57	989	36.17	76.05	117.73	163.04	217.41
1.18	68	11.93	80	14.04	1488	108.63	228.36	353.54	489.60	652.87	986	83.54	175.62	271.89	376.53	502.09
1.18	34	5.97	40	7.02	1488	57.07	119.98	185.75	257.23	343.02	986	42.40	89.12	137.98	191.08	254.80
1.18	44	7.72	52	9.12	1481	73.13	153.74	238.02	329.62	439.54	982	54.74	115.07	178.15	246.71	328.99
1.19	32	5.61	38	6.67	1474	53.80	113.09	175.08	242.46	323.32	977	39.91	83.90	129.89	179.88	239.86
1.20	60	10.53	72	12.63	1458	97.37	204.69	316.89	438.84	585.19	967	74.10	155.77	241.16	333.97	445.34
1.20	40	7.02	48	8.42	1458	66.78	140.39	217.34	300.98	401.35	967	49.82	104.73	162.14	224.54	299.42
1.20	30	5.26	36	6.32	1458	50.50	106.16	164.36	227.61	303.52	967	37.42	78.67	121.79	168.66	224.90
1.21	56	9.83	68	11.93	1441	91.51	192.37	297.82	412.43	549.97	955	69.31	145.71	225.58	312.40	416.58
1.21	28	4.91	34	5.97	1441	47.19	99.20	153.58	212.68	283.61	955	34.93	73.42	113.67	157.42	209.91
1.22	36	6.32	44	7.72	1432	60.33	126.83	196.35	271.91	362.59	949	44.88	94.34	146.05	202.26	269.71
1.23	52	9.12	64	11.23	1422	85.51	179.76	278.29	385.39	513.91	943	64.49	135.57	209.88	290.65	387.58
1.24	29	5.09	36	6.32	1410	48.85	102.69	158.97	220.16	293.57	934	36.17	76.05	117.73	163.04	217.41
1.25	72	12.63	80	14.04	1400	114.01	239.67	371.04	513.84	685.19	928	88.19	185.40	287.03	397.49	530.05
1.25	64	11.23	72	12.63	1400	103.08	216.69	335.47	464.58	619.51	928	78.84	165.74	256.60	355.35	473.85
1.25	48	8.42	60	10.53	1400	79.38	166.87	258.34	357.77	477.08	928	59.63	125.36	194.07	268.75	358.38
1.25	32	5.61	40	7.02	1400	53.80	113.09	175.08	242.46	323.32	928	39.91	83.90	129.89	179.88	239.86
1.26	38	6.67	48	8.42	1385	63.57	133.63	206.88	286.50	382.04	918	47.35	99.54	154.10	213.41	284.58
1.27	30	5.26	38	6.67	1382	50.50	106.16	164.36	227.61	303.52	916	37.42	78.67	121.79	168.66	224.90
Multiply HP rating by the belt length factor to determine drive width - BELT LENGTH FACTOR																



High HP HTS® 14mm Drive Selection Tables

Theoretical Center Distance in Inches for Various Belt Lengths

Belt Length Code (mm)																			
966	1190	1400	1610	1778	1890	2100	2310	2450	2590	2800	3150	3360	3500	3850	4326	4578	4956	Drive	
0.8	0.8	0.9	0.9	0.95	0.95	1	1	1.05	1.05	1.1	1.1	1.15	1.15	1.2	1.2	1.25	1.25	Ratio	
				15.2	15.2	19.3	23.4	26.2	28.9	33.1	40.0	44.1	46.9	53.7	63.1	68.1	75.5	1.00	
				17.4	17.4	21.5	25.6	28.4	31.1	35.3	42.2	46.3	49.1	55.9	65.3	70.3	77.7	1.00	
			13.0	16.3	18.5	22.6	26.7	29.5	32.2	36.4	43.3	47.4	50.2	57.1	66.4	71.4	78.8	1.00	
			14.1	17.4	19.6	23.7	27.8	30.6	33.4	37.5	44.4	48.5	51.3	58.2	67.5	72.5	79.9	1.00	
		11.0	15.2	18.5	20.7	24.8	28.9	31.7	34.5	38.6	45.5	49.6	52.4	59.3	68.6	73.6	81.0	1.00	
		12.1	16.3	19.6	21.8	25.9	30.0	32.8	35.6	39.7	46.6	50.7	53.5	60.4	69.7	74.7	82.1	1.00	
		13.2	17.4	20.7	22.9	27.0	31.1	33.9	36.7	40.8	47.7	51.8	54.6	61.5	70.8	75.8	83.2	1.00	
	10.2	14.3	18.5	21.8	24.0	28.1	32.2	35.0	37.8	41.9	48.8	52.9	55.7	62.6	71.9	76.9	84.3	1.00	
	11.3	15.4	19.6	22.9	25.1	29.2	33.4	36.1	38.9	43.0	49.9	54.0	56.8	63.7	73.0	78.0	85.4	1.00	
8.0	12.4	16.5	20.7	24.0	26.2	30.3	34.5	37.2	40.0	44.1	51.0	55.1	57.9	64.8	74.1	79.1	86.5	1.00	
8.5	13.0	17.1	21.2	24.5	26.7	30.9	35.0	37.8	40.5	44.7	51.5	55.7	58.4	65.3	74.7	79.7	87.1	1.00	
9.1	13.5	17.6	21.8	25.1	27.3	31.4	35.6	38.3	41.1	45.2	52.1	56.2	59.0	65.9	75.2	80.2	87.6	1.00	
9.7	14.1	18.2	22.3	25.6	27.8	32.0	36.1	38.9	41.6	45.8	52.6	56.8	59.5	66.4	75.8	80.8	88.2	1.00	
10.2	14.6	18.7	22.9	26.2	28.4	32.5	36.7	39.4	42.2	46.3	53.2	57.3	60.1	67.0	76.3	81.3	88.7	1.00	
10.8	15.2	19.3	23.4	26.7	28.9	33.1	37.2	40.0	42.7	46.9	53.7	57.9	60.6	67.5	76.9	81.9	89.3	1.00	
11.0	15.4	19.6	23.7	27.0	29.2	33.4	37.5	40.2	43.0	47.1	54.0	58.2	60.9	67.8	77.2	82.1	89.6	1.00	
11.3	15.7	19.8	24.0	27.3	29.5	33.6	37.8	40.5	43.3	47.4	54.3	58.4	61.2	68.1	77.4	82.4	89.8	1.00	
10.9	15.3	19.4	23.6	26.9	29.1	33.2	37.3	40.1	42.9	47.0	53.9	58.0	60.8	67.7	77.0	82.0	89.4	1.03	
11.2	15.6	19.7	23.8	27.2	29.4	33.5	37.6	40.4	43.1	47.3	54.2	58.3	61.0	67.9	77.3	82.3	89.7	1.04	
8.3	12.7	16.8	20.9	24.3	26.5	30.6	34.7	37.5	40.2	44.4	51.3	55.4	58.2	65.0	74.4	79.4	86.8	1.05	
8.8	13.2	17.4	21.5	24.8	27.0	31.1	35.3	38.0	40.8	44.9	51.8	55.9	58.7	65.6	75.0	79.9	87.4	1.06	
			12.4	15.7	17.9	22.0	26.2	28.9	31.7	35.8	42.7	46.9	49.6	56.5	65.9	70.8	78.3	1.06	
9.4	13.8	17.9	22.1	25.4	27.6	31.7	35.8	38.6	41.3	45.5	52.4	56.5	59.3	66.1	75.5	80.5	87.9	1.06	
			13.5	16.8	19.0	23.2	27.3	30.0	32.8	36.9	43.8	48.0	50.7	57.6	67.0	71.9	79.4	1.06	
9.9	14.3	18.5	22.6	25.9	28.1	32.2	36.4	39.1	41.9	46.0	52.9	57.1	59.8	66.7	76.1	81.0	88.5	1.06	
			14.6	17.9	20.1	24.3	28.4	31.1	33.9	38.0	44.9	49.1	51.8	58.7	68.1	73.0	80.5	1.07	
10.5	14.9	19.0	23.2	26.5	28.7	32.8	36.9	39.7	42.4	46.6	53.5	57.6	60.4	67.2	76.6	81.6	89.0	1.07	
			11.6	15.7	19.0	21.2	25.4	29.5	32.2	35.0	42.0	46.0	48.7	55.6	65.0	70.0	77.5	1.07	
11.0	15.4	19.6	23.7	27.0	29.2	33.4	37.5	40.2	43.0	47.1	54.0	58.2	60.9	67.8	77.2	82.1	89.6	1.07	
			12.7	16.8	20.1	22.3	26.5	30.6	33.3	36.1	43.1	47.1	49.8	56.7	66.1	71.1	78.6	1.08	
	9.6	13.8	17.9	21.2	23.4	27.6	31.7	34.5	37.2	41.3	48.2	52.4	55.1	62.0	71.4	76.3	83.8	1.08	
	10.7	14.9	19.0	22.3	24.5	28.7	32.8	35.6	38.3	42.4	49.3	53.5	56.2	63.1	72.5	77.4	84.9	1.09	
	11.9	16.0	20.1	23.4	25.6	29.8	33.9	36.7	39.4	43.5	50.4	54.6	57.3	64.2	73.6	78.5	86.0	1.10	
10.6	15.0	19.2	23.3	26.6	28.8	32.9	37.1	39.8	42.6	46.7	53.6	57.7	60.5	67.4	76.8	81.7	89.2	1.10	
			14.0	16.2	20.4	24.5	27.3	30.0	32.8	35.6	42.5	46.6	49.3	56.2	65.6	70.6	78.1	1.11	
			14.0	16.2	20.4	24.5	27.3	30.0	32.8	35.6	42.5	46.6	49.3	56.2	65.6	70.6	78.1	1.11	
8.5	12.6	17.1	21.2	24.5	26.7	30.9	35.0	37.8	40.5	44.6	51.5	55.7	58.4	65.3	74.7	79.7	87.1	1.11	
9.1	13.5	17.6	21.8	25.1	27.3	31.4	35.6	38.3	41.1	45.2	52.1	56.2	59.0	65.9	75.2	80.2	87.6	1.12	
			12.9	16.2	18.5	22.6	26.7	29.5	32.2	36.4	43.3	47.4	50.2	57.1	66.4	71.4	78.8	1.13	
9.6	14.1	18.2	22.3	25.6	27.8	32.0	36.1	38.9	41.6	45.8	52.6	56.8	59.5	66.4	75.8	80.8	88.2	1.13	
			17.9	22.0	24.8	28.9	33.0	35.8	38.6	42.7	49.5	53.7	56.4	63.3	72.7	77.7	85.1	1.13	
			14.0	16.2	20.4	24.5	27.3	30.0	32.8	35.6	42.5	46.6	49.3	56.2	65.6	70.6	78.1	1.13	
			14.0	16.2	20.4	24.5	27.3	30.0	32.8	35.6	42.5	46.6	49.3	56.2	65.6	70.6	78.1	1.13	
10.2	14.6	18.7	22.9	26.2	28.4	32.5	36.7	39.4	42.2	46.3	53.2	57.3	60.1	67.0	76.3	81.3	88.7	1.13	
			11.0	15.1	18.5	20.7	24.8	28.9	31.7	34.4	38.6	45.5	49.6	52.4	59.3	68.6	73.6	81.0	1.14
10.7	15.2	19.3	23.4	26.7	28.9	33.1	37.2	40.0	42.7	46.9	53.7	57.9	60.6	67.5	76.9	81.9	89.3	1.14	
			12.1	16.2	19.6	21.8	25.9	30.0	32.8	35.6	42.5	46.6	49.3	56.2	65.6	70.6	78.1	1.15	
			12.1	16.2	19.6	21.8	25.9	30.0	32.8	35.6	42.5	46.6	49.3	56.2	65.6	70.6	78.1	1.15	
7.7	12.1	16.3	20.4	23.7	25.9	30.0	34.2	36.9	39.7	43.8	50.7	54.8	57.6	64.5	73.9	78.8	86.3	1.16	
			13.2	17.4	20.7	22.9	27.0	31.1	33.9	36.7	43.6	47.7	50.5	57.4	66.8	71.7	79.2	1.17	
10.3	14.7	18.9	23.0	26.3	28.5	32.7	36.8	39.5	42.3	46.4	53.3	57.4	60.2	67.1	76.5	81.4	88.9	1.17	
			14.6	16.8	20.9	25.1	27.8	30.6	33.4	37.2	44.1	48.2	51.0	57.9	67.3	72.2	79.7	1.18	
8.8	13.2	17.4	21.5	24.8	27.0	31.1	35.3	38.0	40.8	44.9	51.8	55.9	58.7	65.6	75.0	79.9	87.4	1.18	
			10.2	14.3	18.5	21.8	24.0	28.1	32.2	35.0	41.9	45.8	48.6	55.5	64.9	69.8	77.3	1.18	
9.4	13.8	17.9	22.0	25.4	27.6	31.7	35.8	38.6	41.3	45.5	52.4	56.5	59.3	66.1	75.5	80.5	87.9	1.19	
			13.5	16.8	19.0	23.1	27.3	30.0	32.8	36.9	43.8	47.9	50.7	57.6	67.0	71.9	79.4	1.20	
			11.3	15.4	19.6	22.9	25.1	29.2	33.3	36.1	43.0	47.1	49.9	56.8	66.2	71.1	78.6	1.20	
9.9	14.3	18.5	22.6	25.9	28.1	32.2	36.4	39.1	41.9	46.0	52.9	57.1	59.8	66.7	76.1	81.0	88.5	1.20	
			14.6	17.9	20.1	24.2	28.3	31.1	33.9	38.0	44.9	49.0	51.8	58.7	68.1	73.0	80.5	1.21	
10.5	14.9	19.0	23.1	26.5	28.7	32.8	36.9	39.7	42.4	46.6	53.5	57.6	60.4	67.2	76.6	81.6	89.0	1.21	
8.0	12.4	16.5	20.7	24.0	26.2	30.3	34.4	37.2	40.0	44.1	51.0	55.1	57.9	64.8	74.1	79.1	86.5	1.22	
			11.5	15.7	19.0	21.2	25.3	29.5	32.2	35.0	42.0	46.0	48.7	55.6	65.0	70.0	77.5	1.23	
10.0	14.5	18.6	22.7	26.0	28.2	32.4	36.5	39.3	42.0	46.2	53.1	57.2	59.9	66.8	76.2	81.2	88.6	1.24	
				15.1	14.8	19.0	23.1	25.9	28.6	32.8	39.7	43.8	46.6	53.4	62.8	67.8	75.2	1.25	
				17.3	17.3	21.5	25.6	28.4	31.1	35.3	42.2	46.3	49.0	55.9	65.3	70.3	77.7	1.25	
		12.6	16.8	20.1	22.3	26.4	30.6	33.3	36.1	40.2	47.1	51.3	54.0	60.9	70.3	75.2	82.7	1.25	
9.1	13.5	17.6	21.8	25.1	27.3	31.4	35.5	38.3	41.1	45.2	52.1	56.2	59.0	65.9	75.2	80.2	87.6	1.25	
			15.7	19.8	23.1	25.3	29.5	32.4	35.1	39.2	46.1	50.2	53.0	60.0	69.4	74.4	81.8	1.26	
			15.7	19.8	23.1	25.3	29.5	32.4	35.1	39.2	46.1	50.2	53.0	60.0	69.4	74.4	81.8	1.26	
9.6	14.0	18.2	22.3	25.6	27.8	32.0	36.1	38.9	41.6	45.7	52.6	56.8	59.5	66.4	75.8	80.7	88.2	1.27	
966	1190	1400	1610	1778	1890</														

High HP HTS® 14mm Drive Selection Tables



Sprocket Combination					HP Ratings @1750 RPM Driver						HP Ratings@1160 RPM					
Drive Ratio	Driver		Driven		DN RPM	RPP Panther Belt Widths (mm)					DN RPM	RPP Panther Belt Widths (mm)				
	No. Teeth	P.D.	No. Teeth	P.D.		20	42	65	90	120		20	42	65	90	120
Multiply HP rating by the belt length factor to determine drive width - BELT LENGTH FACTOR																
1.27	44	7.72	56	9.83	1375	73.13	153.74	238.02	329.62	439.54	911	54.74	115.07	178.15	246.71	328.99
1.29	56	9.83	72	12.63	1361	91.51	192.37	297.82	412.43	549.97	902	69.31	145.71	225.58	312.40	416.58
1.29	28	4.91	36	6.32	1361	47.19	99.20	153.58	212.68	283.61	902	34.93	73.42	113.67	157.42	209.91
1.29	34	5.97	44	7.72	1352	57.07	119.98	185.75	257.23	343.02	896	42.40	89.12	137.98	191.08	254.80
1.30	40	7.02	52	9.12	1346	66.78	140.39	217.34	300.98	401.35	892	49.82	104.73	162.14	224.54	299.42
1.31	52	9.12	68	11.93	1338	85.51	179.76	278.29	385.39	513.91	887	64.49	135.57	209.88	290.65	387.58
1.31	29	5.09	38	6.67	1336	48.85	102.69	158.97	220.16	293.57	885	36.17	76.05	117.73	163.04	217.41
1.32	68	11.93	90	15.79	1322	108.63	228.36	353.54	489.60	652.87	876	83.54	175.62	271.89	376.53	502.09
1.33	60	10.53	80	14.04	1313	97.37	204.69	316.89	438.84	585.19	870	74.10	155.77	241.16	333.97	445.34
1.33	48	8.42	64	11.23	1313	79.38	166.87	258.34	357.77	477.08	870	59.63	125.36	194.07	268.75	358.38
1.33	36	6.32	48	8.42	1313	60.33	126.83	196.35	271.91	362.59	870	44.88	94.34	146.05	202.26	269.71
1.33	30	5.26	40	7.02	1313	50.50	106.16	164.36	227.61	303.52	870	37.42	78.67	121.79	168.66	224.90
1.36	28	4.91	38	6.67	1289	47.19	99.20	153.58	212.68	283.61	855	34.93	73.42	113.67	157.42	209.91
1.36	44	7.72	60	10.53	1283	73.13	153.74	238.02	329.62	439.54	851	54.74	115.07	178.15	246.71	328.99
1.37	38	6.67	52	9.12	1279	63.57	133.63	206.88	286.50	382.04	848	47.35	99.54	154.10	213.41	284.58
1.38	32	5.61	44	7.72	1273	53.80	113.09	175.08	242.46	323.32	844	39.91	83.90	129.89	179.88	239.86
1.38	29	5.09	40	7.02	1269	48.85	102.69	158.97	220.16	293.57	841	36.17	76.05	117.73	163.04	217.41
1.38	52	9.12	72	12.63	1264	85.51	179.76	278.29	385.39	513.91	838	64.49	135.57	209.88	290.65	387.58
1.40	80	14.04	112	19.65	1250	103.08	216.69	335.47	464.58	619.51	829	97.34	204.63	316.79	438.71	585.01
1.40	40	7.02	56	9.83	1250	66.78	140.39	217.34	300.98	401.35	829	49.82	104.73	162.14	224.54	299.42
1.41	64	11.23	90	15.79	1244	103.08	216.69	335.47	464.58	619.51	825	78.84	165.74	256.60	355.35	473.85
1.41	34	5.97	48	8.42	1240	57.07	119.98	185.75	257.23	343.02	822	42.40	89.12	137.98	191.08	254.80
1.42	48	8.42	68	11.93	1235	79.38	166.87	258.34	357.77	477.08	819	59.63	125.36	194.07	268.75	358.38
1.43	56	9.83	80	14.04	1225	91.51	192.37	297.82	412.43	549.97	812	69.31	145.71	225.58	312.40	416.58
1.43	28	4.91	40	7.02	1225	47.19	99.20	153.58	212.68	283.61	812	34.93	73.42	113.67	157.42	209.91
1.44	36	6.32	52	9.12	1212	60.33	126.83	196.35	271.91	362.59	803	44.88	94.34	146.05	202.26	269.71
1.45	44	7.72	64	11.23	1203	73.13	153.74	238.02	329.62	439.54	798	54.74	115.07	178.15	246.71	328.99
1.47	30	5.26	44	7.72	1193	50.50	106.16	164.36	227.61	303.52	791	37.42	78.67	121.79	168.66	224.90
1.47	38	6.67	56	9.83	1188	63.57	133.63	206.88	286.50	382.04	787	47.35	99.54	154.10	213.41	284.58
1.50	60	10.53	90	15.79	1167	97.37	204.69	316.89	438.84	585.19	773	74.10	155.77	241.16	333.97	445.34
1.50	48	8.42	72	12.63	1167	79.38	166.87	258.34	357.77	477.08	773	59.63	125.36	194.07	268.75	358.38
1.50	40	7.02	60	10.53	1167	66.78	140.39	217.34	300.98	401.35	773	49.82	104.73	162.14	224.54	299.42
1.50	32	5.61	48	8.42	1167	53.80	113.09	175.08	242.46	323.32	773	39.91	83.90	129.89	179.88	239.86
1.52	29	5.09	44	7.72	1153	48.85	102.69	158.97	220.16	293.57	765	36.17	76.05	117.73	163.04	217.41
1.53	34	5.97	52	9.12	1144	57.07	119.98	185.75	257.23	343.02	758	42.40	89.12	137.98	191.08	254.80
1.54	52	9.12	80	14.04	1138	85.51	179.76	278.29	385.39	513.91	754	64.49	135.57	209.88	290.65	387.58
1.55	44	7.72	68	11.93	1132	73.13	153.74	238.02	329.62	439.54	751	54.74	115.07	178.15	246.71	328.99
1.56	72	12.63	112	19.65	1125	114.01	239.67	371.04	513.84	685.19	746	88.19	185.40	287.03	397.49	530.05
1.56	36	6.32	56	9.83	1125	60.33	126.83	196.35	271.91	362.59	746	44.88	94.34	146.05	202.26	269.71
1.57	28	4.91	44	7.72	1114	47.19	99.20	153.58	212.68	283.61	738	34.93	73.42	113.67	157.42	209.91
1.58	38	6.67	60	10.53	1108	63.57	133.63	206.88	286.50	382.04	735	47.35	99.54	154.10	213.41	284.58
1.60	40	7.02	64	11.23	1094	66.78	140.39	217.34	300.98	401.35	725	49.82	104.73	162.14	224.54	299.42
1.60	30	5.26	48	8.42	1094	50.50	106.16	164.36	227.61	303.52	725	37.42	78.67	121.79	168.66	224.90
1.61	56	9.83	90	15.79	1089	91.51	192.37	297.82	412.43	549.97	722	69.31	145.71	225.58	312.40	416.58
1.63	32	5.61	52	9.12	1077	53.80	113.09	175.08	242.46	323.32	714	39.91	83.90	129.89	179.88	239.86
1.64	44	7.72	72	12.63	1069	73.13	153.74	238.02	329.62	439.54	709	54.74	115.07	178.15	246.71	328.99
1.65	68	11.93	112	19.65	1063	108.63	228.36	353.54	489.60	652.87	704	83.54	175.62	271.89	376.53	502.09
1.65	34	5.97	56	9.83	1063	57.07	119.98	185.75	257.23	343.02	704	42.40	89.12	137.98	191.08	254.80
1.66	29	5.09	48	8.42	1057	48.85	102.69	158.97	220.16	293.57	701	36.17	76.05	117.73	163.04	217.41
1.67	48	8.42	80	14.04	1050	79.38	166.87	258.34	357.77	477.08	696	59.63	125.36	194.07	268.75	358.38
1.67	36	6.32	60	10.53	1050	60.33	126.83	196.35	271.91	362.59	696	44.88	94.34	146.05	202.26	269.71
1.68	38	6.67	64	11.23	1039	63.57	133.63	206.88	286.50	382.04	689	47.35	99.54	154.10	213.41	284.58
1.70	40	7.02	68	11.93	1029	66.78	140.39	217.34	300.98	401.35	682	49.82	104.73	162.14	224.54	299.42
1.71	28	4.91	48	8.42	1021	47.19	99.20	153.58	212.68	283.61	677	34.93	73.42	113.67	157.42	209.91
1.73	52	9.12	90	15.79	1011	85.51	179.76	278.29	385.39	513.91	670	64.49	135.57	209.88	290.65	387.58
1.73	30	5.26	52	9.12	1010	50.50	106.16	164.36	227.61	303.52	669	37.42	78.67	121.79	168.66	224.90
1.75	64	11.23	112	19.65	1000	103.08	216.69	335.47	464.58	619.51	663	78.84	165.74	256.60	355.35	473.85
1.75	32	5.61	56	9.83	1000	53.80	113.09	175.08	242.46	323.32	663	39.91	83.90	129.89	179.88	239.86
1.76	34	5.97	60	10.53	992	57.07	119.98	185.75	257.23	343.02	657	42.40	89.12	137.98	191.08	254.80
1.78	36	6.32	64	11.23	984	60.33	126.83	196.35	271.91	362.59	653	44.88	94.34	146.05	202.26	269.71
1.79	38	6.67	68	11.93	978	63.57	133.63	206.88	286.50	382.04	648	47.35	99.54	154.10	213.41	284.58
1.79	29	5.09	52	9.12	976	48.85	102.69	158.97	220.16	293.57	647	36.17	76.05	117.73	163.04	217.41
1.80	80	14.04	144	25.26	972	103.08	216.69	335.47	464.58	619.51	644	97.34	204.63	316.79	438.71	585.01
1.80	40	7.02	72	12.63	972	66.78	140.39	217.34	300.98	401.35	644	49.82	104.73	162.14	224.54	299.42
1.82	44	7.72	80	14.04	963	73.13	153.74	238.02	329.62	439.54	638	54.74	115.07	178.15	246.71	328.99
1.86	28	4.91	52	9.12	942	47.19	99.20	153.58	212.68	283.61	625	34.93	73.42	113.67	157.42	209.91

Multiply HP rating by the belt length factor to determine drive width - BELT LENGTH FACTOR



High HP HTS® 14mm Drive Selection Tables

Theoretical Center Distance in Inches for Various Belt Lengths																		
Belt Length Code (mm)																		
966	1190	1400	1610	1778	1890	2100	2310	2450	2590	2800	3150	3360	3500	3850	4326	4578	4956	Drive
0.8	0.8	0.9	0.9	0.95	0.95	1	1	1.05	1.05	1.1	1.1	1.15	1.15	1.2	1.2	1.25	1.25	Ratio
10.2	9.6	13.7	17.9	21.2	23.4	27.5	31.7	34.4	37.2	41.3	48.2	52.4	55.1	62.0	71.4	76.3	83.8	1.27
	14.6	18.7	22.9	17.3	19.5	23.7	27.8	30.6	33.3	37.5	44.4	48.5	51.2	58.1	67.5	72.5	79.9	1.29
	8.2	12.7	16.8	20.9	24.2	26.4	30.6	34.7	37.5	40.2	44.4	51.3	55.4	58.1	65.0	74.4	79.4	1.29
9.8	10.7	14.8	19.0	22.3	24.5	28.6	32.8	35.5	38.3	42.4	49.3	53.5	56.2	63.1	72.5	77.4	84.9	1.30
	14.2	10.9	15.1	18.4	20.6	24.8	28.9	31.7	34.4	38.6	45.5	49.6	52.3	59.2	68.6	73.6	81.0	1.31
		18.3	22.5	25.8	28.0	32.1	36.2	39.0	41.7	45.9	52.8	56.9	59.7	66.6	75.9	80.9	88.3	1.31
9.3	11.8	15.3	19.5	23.6	26.4	29.2	33.3	26.4	29.2	33.3	40.2	44.3	47.1	54.0	63.4	68.3	75.8	1.32
		17.8	22.0	26.1	28.9	31.6	35.8	28.9	31.6	35.8	42.7	46.8	49.6	56.5	65.8	70.8	78.3	1.33
	14.3	12.0	16.2	19.5	21.7	25.9	30.0	32.8	35.5	39.7	46.6	50.7	53.5	60.3	69.7	74.7	82.1	1.33
9.9	13.8	16.0	20.1	23.4	25.6	29.8	33.9	36.6	39.4	43.5	50.4	54.6	57.3	64.2	73.6	78.5	86.0	1.33
	14.3	17.9	22.0	25.3	27.6	31.7	35.8	38.6	41.3	45.5	52.4	56.5	59.3	66.1	75.5	80.5	87.9	1.33
	11.0	18.4	22.6	25.9	28.1	32.2	36.4	39.1	41.9	46.0	52.9	57.0	59.8	66.7	76.1	81.0	88.5	1.36
13.2		17.3	20.6	22.8	27.0	31.1	33.9	36.6	40.8	47.7	51.8	54.6	61.4	70.8	75.8	83.2	1.36	
8.5	12.9	17.1	21.2	24.5	26.7	30.9	35.0	37.7	40.5	44.6	51.5	55.7	58.4	65.3	74.7	79.6	87.1	1.38
	13.9	18.0	22.2	25.5	27.7	31.8	36.0	38.7	41.5	45.6	52.5	56.6	59.4	66.3	75.6	80.6	88.1	1.38
		10.1	14.3	18.4	21.7	23.9	28.1	32.2	31.1	33.9	38.0	44.9	49.0	51.8	58.7	68.1	73.0	80.5
7.6	12.1	15.1	19.3	22.6	24.8	28.9	33.1	21.6	24.4	28.5	35.4	39.6	42.4	49.3	58.6	63.6	71.5	1.40
		18.2	22.3	25.6	27.8	32.0	36.1	38.8	41.6	45.7	52.6	56.8	59.5	66.4	75.8	80.7	88.2	1.43
	14.0	11.2	15.4	19.5	22.8	25.0	29.2	33.3	36.1	38.8	43.0	49.9	54.0	56.8	63.7	73.0	78.0	1.44
8.7	12.6	16.7	20.0	22.3	26.4	30.5	33.3	33.3	36.1	40.2	47.1	51.2	54.0	60.9	70.3	75.2	82.7	1.45
	13.2	17.3	21.5	24.8	27.0	31.1	35.3	38.0	40.8	44.9	51.8	55.9	58.7	65.6	75.0	79.9	87.4	1.47
	10.4	14.5	18.7	22.0	24.2	28.3	32.5	35.2	38.0	42.1	49.0	53.2	55.9	62.8	72.2	77.2	84.6	1.47
7.9	9.5	10.8	15.0	18.3	20.6	24.7	28.9	27.4	30.2	34.4	41.3	45.5	48.2	55.1	64.4	69.4	76.5	1.50
		13.7	17.8	21.2	23.4	27.5	31.6	34.4	37.2	41.3	48.2	52.3	55.1	62.0	71.4	76.3	83.8	1.50
	12.3	16.5	20.6	23.9	26.1	30.3	34.4	37.2	39.9	44.1	51.0	55.1	57.9	64.8	74.1	79.1	86.5	1.50
8.9	13.3	17.5	21.6	24.9	27.1	31.3	35.4	38.2	40.9	45.0	51.9	56.1	58.8	65.7	75.1	80.1	87.5	1.52
	11.5	15.6	19.8	23.1	25.3	29.5	33.6	36.3	39.1	43.2	50.1	54.3	57.0	63.9	73.3	78.3	85.7	1.53
	9.0	11.9	13.3	16.2	18.9	23.0	27.2	29.9	32.7	36.9	43.8	47.9	50.7	57.6	66.9	71.9	79.3	1.54
16.1			19.5	21.7	25.8	30.0	32.7	35.5	39.6	46.5	50.7	53.4	60.3	69.7	74.7	82.1	1.55	
10.6		14.8	18.9	22.3	24.5	28.6	32.8	22.6	25.4	29.6	36.5	40.6	43.4	50.3	59.7	64.7	72.1	1.56
8.1	13.4	17.6	21.7	25.0	27.3	31.4	35.5	38.3	41.0	45.2	52.1	56.2	59.0	65.9	75.2	80.2	87.6	1.57
	9.7	13.9	18.1	21.4	23.6	27.8	31.9	34.7	37.4	41.6	48.5	52.6	55.4	62.3	71.6	76.6	84.0	1.58
		16.7	20.9	24.2	26.4	30.6	34.7	37.5	40.2	44.3	51.2	55.4	58.1	65.0	74.4	79.4	86.8	1.60
8.2	12.6	14.6	18.8	21.0	25.2	28.0	30.7	28.0	30.7	34.9	41.8	45.9	48.7	55.6	65.0	69.9	77.4	1.61
		11.7	15.9	20.0	23.4	25.6	29.7	33.9	36.6	39.4	43.5	50.4	54.5	57.3	64.2	73.6	78.5	86.0
	10.9	11.3	15.5	18.9	21.1	25.2	29.3	32.2	34.9	39.1	46.0	50.1	52.9	59.8	69.1	74.1	81.5	1.64
7.5	12.0	15.0	19.2	22.5	24.7	28.9	33.0	23.1	25.9	30.1	37.0	41.2	43.9	50.8	60.2	65.2	72.7	1.65
		16.9	21.0	24.3	26.5	30.7	34.8	37.6	40.3	44.5	51.4	55.5	58.3	65.2	74.5	79.5	86.9	1.66
	13.8	17.1	19.4	23.5	27.7	30.5	33.2	37.4	44.3	48.4	55.2	59.3	62.1	69.0	78.4	83.4	90.8	1.67
8.4	10.0	14.2	18.3	21.7	23.9	28.0	32.2	34.9	37.7	41.8	48.7	52.9	55.6	62.5	71.9	76.9	84.3	1.67
	9.1	13.3	17.5	20.8	23.0	27.2	31.3	34.1	36.9	41.0	47.9	52.0	54.8	61.7	71.1	76.0	83.5	1.68
	12.8	12.4	16.6	20.0	22.2	26.3	30.5	33.3	36.0	40.2	47.1	51.2	54.0	60.9	70.2	75.2	82.6	1.70
7.6	12.1	17.0	21.2	24.5	26.7	30.8	35.0	37.7	40.5	44.6	51.5	55.6	58.4	65.3	74.7	79.6	87.1	1.71
		15.1	19.3	22.6	24.8	28.9	33.1	35.8	38.6	41.4	45.5	52.4	56.5	59.3	66.1	75.5	82.9	1.78
	9.3	13.6	17.7	21.1	23.3	27.5	31.6	34.4	37.1	41.3	48.2	52.3	55.1	62.0	71.3	76.3	83.7	1.78
7.7	12.2	16.4	20.6	23.9	26.1	30.2	34.4	37.2	39.9	44.0	50.9	55.1	57.8	64.7	74.1	79.1	86.5	1.86
		20.6	23.9	26.1	30.2	34.4	37.2	39.9	44.0	50.9	55.1	57.8	64.7	74.1	79.1	86.5	1.86	
	12.2	16.4	20.6	23.9	26.1	30.2	34.4	37.2	39.9	44.0	50.9	55.1	57.8	64.7	74.1	79.1	86.5	1.86

PULLEYS

High HP HTS® 14mm Drive Selection Tables



Sprocket Combination					HP Ratings @1750 RPM Driver						HP Ratings@1160 RPM					
Drive Ratio	Driver		Driven		DN RPM	RPP Panther Belt Widths (mm)					DN RPM	RPP Panther Belt Widths (mm)				
	No. Teeth	P.D.	No. Teeth	P.D.		20	42	65	90	120		20	42	65	90	120
Multiply HP rating by the belt length factor to determine drive width - BELT LENGTH FACTOR																
1.87	60	10.53	112	19.65	938	97.37	204.69	316.89	438.84	585.19	621	74.10	155.77	241.16	333.97	445.34
1.87	30	5.26	56	9.83	938	50.50	106.16	164.36	227.61	303.52	621	37.42	78.67	121.79	168.66	224.90
1.88	48	8.42	90	15.79	933	79.38	166.87	258.34	357.77	477.08	619	59.63	125.36	194.07	268.75	358.38
1.88	32	5.61	60	10.53	933	53.80	113.09	175.08	242.46	323.32	619	39.91	83.90	129.89	179.88	239.86
1.88	34	5.97	64	11.23	930	57.07	119.98	185.75	257.23	343.02	616	42.40	89.12	137.98	191.08	254.80
1.89	36	6.32	68	11.93	926	60.33	126.83	196.35	271.91	362.59	614	44.88	94.34	146.05	202.26	269.71
1.89	38	6.67	72	12.63	924	63.57	133.63	206.88	286.50	382.04	612	47.35	99.54	154.10	213.41	284.58
1.93	29	5.09	56	9.83	906	48.85	102.69	158.97	220.16	293.57	601	36.17	76.05	117.73	163.04	217.41
2.00	72	12.63	144	25.26	875	114.01	239.67	371.04	513.84	685.19	580	88.19	185.40	287.03	397.49	530.05
2.00	56	9.83	112	19.65	875	91.51	192.37	297.82	412.43	549.97	580	69.31	145.71	225.58	312.40	416.58
2.00	40	7.02	80	14.04	875	66.78	140.39	217.34	300.98	401.35	580	49.82	104.73	162.14	224.54	299.42
2.00	36	6.32	72	12.63	875	60.33	126.83	196.35	271.91	362.59	580	44.88	94.34	146.05	202.26	269.71
2.00	34	5.97	68	11.93	875	57.07	119.98	185.75	257.23	343.02	580	42.40	89.12	137.98	191.08	254.80
2.00	32	5.61	64	11.23	875	53.80	113.09	175.08	242.46	323.32	580	39.91	83.90	129.89	179.88	239.86
2.00	30	5.26	60	10.53	875	50.50	106.16	164.36	227.61	303.52	580	37.42	78.67	121.79	168.66	224.90
2.00	28	4.91	56	9.83	875	47.19	99.20	153.58	212.68	283.61	580	34.93	73.42	113.67	157.42	209.91
2.05	44	7.72	90	15.79	856	73.13	153.74	238.02	329.62	439.54	567	54.74	115.07	178.15	246.71	328.99
2.07	29	5.09	60	10.53	846	48.85	102.69	158.97	220.16	293.57	561	36.17	76.05	117.73	163.04	217.41
2.10	80	14.04	168	29.48	833	108.63	228.36	353.54	489.60	652.87	552	97.34	204.63	316.79	438.71	585.01
2.11	38	6.67	80	14.04	831	63.57	133.63	206.88	286.50	382.04	551	47.35	99.54	154.10	213.41	284.58
2.12	68	11.93	144	25.26	826	108.63	228.36	353.54	489.60	652.87	548	83.54	175.62	271.89	376.53	502.09
2.12	34	5.97	72	12.63	826	57.07	119.98	185.75	257.23	343.02	548	42.40	89.12	137.98	191.08	254.80
2.13	32	5.61	68	11.93	824	53.80	113.09	175.08	242.46	323.32	546	39.91	83.90	129.89	179.88	239.86
2.13	30	5.26	64	11.23	820	50.50	106.16	164.36	227.61	303.52	544	37.42	78.67	121.79	168.66	224.90
2.14	28	4.91	60	10.53	817	47.19	99.20	153.58	212.68	283.61	541	34.93	73.42	113.67	157.42	209.91
2.15	52	9.12	112	19.65	813	85.51	179.76	278.29	385.39	513.91	539	64.49	135.57	209.88	290.65	387.58
2.21	29	5.09	64	11.23	793	48.85	102.69	158.97	220.16	293.57	526	36.17	76.05	117.73	163.04	217.41
2.22	36	6.32	80	14.04	788	60.33	126.83	196.35	271.91	362.59	522	44.88	94.34	146.05	202.26	269.71
2.25	64	11.23	144	25.26	778	103.08	216.69	335.47	464.58	619.51	516	78.84	165.74	256.60	355.35	473.85
2.25	40	7.02	90	15.79	778	66.78	140.39	217.34	300.98	401.35	516	49.82	104.73	162.14	224.54	299.42
2.25	32	5.61	72	12.63	778	53.80	113.09	175.08	242.46	323.32	516	39.91	83.90	129.89	179.88	239.86
2.27	30	5.26	68	11.93	772	50.50	106.16	164.36	227.61	303.52	512	37.42	78.67	121.79	168.66	224.90
2.29	28	4.91	64	11.23	766	47.19	99.20	153.58	212.68	283.61	508	34.93	73.42	113.67	157.42	209.91
2.33	72	12.63	168	29.48	750	114.01	239.67	371.04	513.84	685.19	497	88.19	185.40	287.03	397.49	530.05
2.33	48	8.42	112	19.65	750	79.38	166.87	258.34	357.77	477.08	497	59.63	125.36	194.07	268.75	358.38
2.34	29	5.09	68	11.93	746	48.85	102.69	158.97	220.16	293.57	495	36.17	76.05	117.73	163.04	217.41
2.35	34	5.97	80	14.04	744	57.07	119.98	185.75	257.23	343.02	493	42.40	89.12	137.98	191.08	254.80
2.37	38	6.67	90	15.79	739	63.57	133.63	206.88	286.50	382.04	490	47.35	99.54	154.10	213.41	284.58
2.40	80	14.04	192	33.69	729	108.63	228.36	353.54	489.60	652.87	483	97.34	204.63	316.79	438.71	585.01
2.40	60	10.53	144	25.26	729	97.37	204.69	316.89	438.84	585.19	483	74.10	155.77	241.16	333.97	445.34
2.40	30	5.26	72	12.63	729	50.50	106.16	164.36	227.61	303.52	483	37.42	78.67	121.79	168.66	224.90
2.43	28	4.91	68	11.93	721	47.19	99.20	153.58	212.68	283.61	478	34.93	73.42	113.67	157.42	209.91
2.47	68	11.93	168	29.48	708	108.63	228.36	353.54	489.60	652.87	470	83.54	175.62	271.89	376.53	502.09
2.48	29	5.09	72	12.63	705	48.85	102.69	158.97	220.16	293.57	467	36.17	76.05	117.73	163.04	217.41
2.50	36	6.32	90	15.79	700	60.33	126.83	196.35	271.91	362.59	464	44.88	94.34	146.05	202.26	269.71
2.50	32	5.61	80	14.04	700	53.80	113.09	175.08	242.46	323.32	464	39.91	83.90	129.89	179.88	239.86
2.55	44	7.72	112	19.65	688	73.13	153.74	238.02	329.62	439.54	456	54.74	115.07	178.15	246.71	328.99
2.57	56	9.83	144	25.26	681	91.51	192.37	297.82	412.43	549.97	451	69.31	145.71	225.58	312.40	416.58
2.57	28	4.91	72	12.63	681	47.19	99.20	153.58	212.68	283.61	451	34.93	73.42	113.67	157.42	209.91
2.63	64	11.23	168	29.48	667	103.08	216.69	335.47	464.58	619.51	442	78.84	165.74	256.60	355.35	473.85
2.65	34	5.97	90	15.79	661	57.07	119.98	185.75	257.23	343.02	438	42.40	89.12	137.98	191.08	254.80
2.67	30	5.26	80	14.04	656	50.50	106.16	164.36	227.61	303.52	435	37.42	78.67	121.79	168.66	224.90
2.67	72	12.63	192	33.69	656	114.01	239.67	371.04	513.84	685.19	435	88.19	185.40	287.03	397.49	530.05
2.70	80	14.04	216	37.90	648	114.01	239.67	371.04	513.84	685.19	430	97.34	204.63	316.79	438.71	585.01
2.76	29	5.09	80	14.04	634	48.85	102.69	158.97	220.16	293.57	421	36.17	76.05	117.73	163.04	217.41
2.77	52	9.12	114	25.26	632	85.51	179.76	278.29	385.39	513.91	419	64.49	135.57	209.88	290.65	387.58
2.80	60	10.53	168	29.48	625	97.37	204.69	316.89	438.84	585.19	414	74.10	155.77	241.16	333.97	445.34
2.80	40	7.02	112	19.65	625	66.78	140.39	217.34	300.98	401.35	414	49.82	104.73	162.14	224.54	299.42
2.81	32	5.61	90	15.79	622	53.80	113.09	175.08	242.46	323.32	412	39.91	83.90	129.89	179.88	239.86
2.82	68	11.93	192	33.69	620	108.63	228.36	353.54	489.60	652.87	411	83.54	175.62	271.89	376.53	502.09
2.86	28	4.91	80	14.04	613	47.19	99.20	153.58	212.68	283.61	406	34.93	73.42	113.67	157.42	209.91
2.95	38	6.67	112	19.65	594	63.57	133.63	206.88	286.50	382.04	394	47.35	99.54	154.10	213.41	284.58
3.00	72	12.63	216	37.90	583	114.01	239.67	371.04	513.84	685.19	387	88.19	185.40	287.03	397.49	530.05
3.00	64	11.23	192	33.69	583	103.08	216.69	335.47	464.58	619.51	387	78.84	165.74	256.60	355.35	473.85
3.00	56	9.83	168	29.48	583	91.51	192.37	297.82	412.43	549.97	387	69.31	145.71	225.58	312.40	416.58
3.00	48	8.42	144	25.26	583	79.38	166.87	258.34	357.77	477.08	387	59.63	125.36	194.07	268.75	358.38

Multiply HP rating by the belt length factor to determine drive width - BELT LENGTH FACTOR

PULLEYS



High HP HTS® 14mm Drive Selection Tables

Theoretical Center Distance in Inches for Various Belt Lengths																			
Belt Length Code (mm)																			
966	1190	1400	1610	1778	1890	2100	2310	2450	2590	2800	3150	3360	3500	3850	4326	4578	4956	Drive	
0.8	0.8	0.9	0.9	0.95	0.95	1	1	1.05	1.05	1.1	1.1	1.15	1.15	1.2	1.2	1.25	1.25	Ratio	
	11.3	15.5	19.7	23.0	25.3	17.0	21.3	24.1	26.9	31.1	38.0	42.2	45.0	51.9	61.3	66.3	73.7	1.87	
			12.1	15.6	17.8	29.4	33.5	36.3	39.1	43.2	50.1	54.2	57.0	63.9	73.3	78.2	85.7	1.87	
	10.5	14.7	18.9	22.2	24.4	22.0	26.2	29.0	31.8	35.9	42.8	47.0	49.8	56.7	66.0	71.0	78.5	1.88	
	9.6	13.8	18.0	21.3	23.6	27.7	31.9	34.6	37.4	41.5	48.4	52.6	55.3	62.2	71.6	76.6	84.0	1.88	
			12.9	17.1	20.5	22.7	26.9	31.0	33.8	36.6	40.7	47.6	51.7	54.5	61.4	70.8	75.7	83.2	1.89
			12.0	16.3	19.6	21.8	26.0	30.2	32.9	35.7	39.9	46.8	50.9	53.7	60.6	69.9	74.9	82.4	1.89
	11.5	15.7	19.8	23.2	25.4	29.5	33.7	36.4	39.2	43.3	50.2	54.4	57.1	64.0	73.4	78.4	85.8	1.93	
						17.5	21.8	24.6	27.4	31.6	38.5	42.7	45.5	52.4	61.8	66.8	74.3	2.00	
			14.7	18.1	20.4	24.6	28.7	31.5	34.3	38.4	45.3	49.5	52.2	59.2	68.5	73.5	81.0	2.00	
		12.3	16.5	19.9	22.1	26.3	30.4	33.2	36.0	40.1	47.0	51.2	53.9	60.8	70.2	75.2	82.6	2.00	
		13.2	17.4	20.7	23.0	27.1	31.3	34.0	36.8	41.0	47.9	52.0	54.8	61.7	71.0	76.0	83.5	2.00	
	9.8	14.1	18.3	21.6	23.8	27.97	32.1	34.9	37.7	41.8	48.7	52.8	55.6	62.5	71.9	76.8	84.3	2.00	
	10.7	14.9	19.1	22.4	24.7	28.8	33.0	35.7	38.5	42.6	49.5	53.7	56.4	63.3	72.7	77.7	85.1	2.00	
	11.6	15.8	20.0	23.3	25.5	29.7	33.8	36.6	39.3	43.5	50.4	54.5	57.3	64.2	73.5	78.5	86.0	2.00	
			12.6	16.0	18.3	22.5	26.7	29.5	32.3	36.4	43.4	47.5	50.3	57.2	66.6	71.5	79.0	2.05	
	10.8	15.1	19.2	22.6	24.8	29.0	33.1	35.9	38.6	42.8	49.7	53.8	56.6	63.5	72.8	77.8	85.3	2.07	
											26.7	31.0	33.8	40.9	50.4	55.4	62.9	2.10	
		10.7	15.0	18.4	20.6	24.8	29.0	31.8	34.5	38.7	45.6	49.8	52.5	59.4	68.8	73.8	81.2	2.11	
											20.7	25.0	32.1	36.3	39.1	46.1	55.5	2.12	
		12.5	16.8	20.1	22.4	26.5	30.7	33.5	36.2	40.4	47.3	51.4	54.2	61.1	70.5	75.4	82.9	2.12	
	9.1	13.4	17.6	21.0	23.2	27.4	31.5	34.3	37.1	41.2	48.1	52.3	55.0	61.9	71.3	76.3	83.7	2.13	
	10.0	14.3	18.5	21.8	24.1	28.2	32.4	35.2	37.9	42.1	49.0	53.1	55.9	62.8	72.1	77.1	84.6	2.13	
	10.9	15.2	19.4	22.7	24.9	29.1	33.2	36.0	38.8	42.9	49.8	53.9	56.7	63.6	73.0	77.9	85.4	2.14	
						18.0	22.3	25.1	27.9	32.1	39.1	43.2	46.0	52.9	62.3	67.3	74.8	2.15	
						28.4	32.5	35.3	38.1	42.2	49.1	53.2	56.0	62.9	72.3	77.2	84.7	2.21	
	10.1	14.4	18.6	22.0	24.2	28.4	32.5	35.3	38.1	42.2	49.1	53.2	56.0	62.9	72.3	77.2	84.7	2.21	
		10.9	15.2	18.6	20.9	25.1	29.2	32.0	34.8	38.9	45.9	50.0	52.8	59.7	69.1	74.0	81.5	2.22	
											21.2	25.5	32.6	36.8	39.6	46.6	56.1	2.25	
			13.0	16.5	18.8	23.0	27.2	30.0	32.8	36.9	43.9	48.0	50.8	57.7	67.1	72.1	79.5	2.25	
											43.9	48.0	50.8	57.7	67.1	72.1	79.5	2.25	
		12.7	17.0	20.4	22.6	26.8	30.9	33.7	36.5	40.6	47.6	51.7	54.5	61.4	70.7	75.7	83.2	2.25	
	9.3	13.7	17.9	21.2	23.5	27.6	31.8	34.6	37.3	41.5	48.4	52.5	55.3	62.2	71.6	76.5	84.0	2.27	
	10.3	14.5	18.8	22.1	24.3	28.5	32.6	35.4	38.2	42.3	49.2	53.4	56.1	63.0	72.4	77.4	84.8	2.29	
											27.6	32.0	34.8	41.9	51.4	56.4	63.9	2.33	
						18.4	22.7	25.6	28.4	32.6	39.6	43.7	46.5	53.5	62.9	67.8	75.3	2.33	
	9.4	13.8	18.0	21.4	23.6	27.8	31.9	34.7	37.5	41.6	48.5	52.7	55.4	62.3	71.7	76.7	84.1	2.34	
		11.1	15.5	18.9	21.1	25.3	29.5	32.3	35.0	39.2	46.1	50.3	53.0	59.9	69.3	74.3	81.8	2.35	
			13.3	16.7	19.0	23.3	27.5	30.3	33.0	37.2	44.1	48.3	51.1	58.0	67.4	72.3	79.8	2.37	
											26.8	29.8	37.0	46.6	51.7	59.3	67.8	2.40	
								18.6	21.6	26.0	33.1	37.3	40.1	47.1	56.6	61.6	69.1	2.40	
											33.1	37.3	40.1	47.1	56.6	61.6	69.1	2.40	
		13.0	17.2	20.6	22.9	27.0	31.2	34.0	36.7	40.9	47.8	52.0	54.7	61.6	71.0	76.0	83.4	2.40	
	9.5	13.9	18.1	21.5	23.7	27.9	32.1	34.8	37.6	41.7	48.7	52.8	55.6	62.5	71.8	76.8	84.3	2.43	
											20.7	28.1	32.4	35.3	42.4	51.9	56.9	2.47	
		13.1	17.4	20.7	23.0	27.2	31.3	34.1	36.9	41.0	47.9	52.1	54.9	61.8	71.1	76.1	83.6	2.48	
		13.5	17.0	19.3	23.5	27.7	30.5	33.3	37.5	44.4	48.6	51.3	58.2	67.6	72.6	80.1	87.6	2.50	
											37.5	44.4	48.6	51.3	58.2	67.6	72.6	2.50	
		11.3	15.7	19.1	21.4	25.6	29.7	32.5	35.3	39.5	46.4	50.5	53.3	60.2	69.6	74.6	82.0	2.50	
					14.5	18.9	23.2	26.1	28.9	33.1	40.1	44.2	47.0	54.0	63.4	68.4	75.8	2.55	
								19.1	22.1	26.4	33.6	37.8	40.6	47.6	57.1	62.1	69.6	2.57	
	8.8	13.2	17.5	20.9	23.1	27.3	31.5	34.2	37.0	41.2	48.1	52.2	55.0	61.9	71.3	76.2	83.7	2.57	
										21.2	28.6	32.9	35.8	42.8	52.4	57.4	65.0	2.63	
											28.6	32.9	35.8	42.8	52.4	57.4	65.0	2.63	
		13.7	17.2	19.5	23.7	28.0	30.8	33.5	37.7	44.7	48.8	51.6	58.5	67.9	72.9	80.3	87.8	2.65	
		11.6	15.9	19.3	21.6	25.8	30.0	32.8	35.6	39.7	46.6	50.8	53.6	60.5	69.9	74.8	82.3	2.67	
											23.2	27.7	30.7	37.9	47.6	52.7	60.3	2.67	
														32.8	42.7	47.8	55.5	2.70	
		11.7	16.1	19.5	21.7	25.9	30.1	32.9	35.7	39.9	46.8	50.9	53.7	60.6	70.0	75.0	82.4	2.76	
											46.8	50.9	53.7	60.6	70.0	75.0	82.4	2.76	
								19.5	22.5	26.9	34.0	38.3	41.1	48.1	57.6	62.6	70.1	2.77	
										21.6	29.0	33.4	36.2	43.3	52.9	57.9	65.5	2.80	
					14.9	19.4	23.7	26.5	29.4	33.6	40.6	44.8	47.5	54.5	63.9	68.9	76.4	2.80	
		13.9	17.4	19.7	24.0	28.2	31.0	33.8	38.0	44.9	49.1	51.8	58.8	68.2	73.1	80.6	88.1	2.81	
											23.6	28.2	31.2	38.4	48.1	53.2	60.8	2.82	
														48.1	53.2	60.8	68.3	2.82	
		11.8	16.2	19.6	21.8	26.1	30.3	33.0	35.8	40.0	46.9	51.1	53.8	60.7	70.1	75.1	82.6	2.86	
					15.1	19.6	23.9	26.8	29.6	33.8	40.8	45.0	47.8	54.7	64.2	69.1	76.6	2.95	
														26.1	33.7	43.6	56.5	3.00	
											24.1	28.6	31.6	38.9	48.6				

High HP HTS® 14mm Drive Selection Tables



Sprocket Combination					HP Ratings @1750 RPM Driver						HP Ratings@1160 RPM					
Drive Ratio	Driver		Driven		DN RPM	RPP Panther Belt Widths (mm)					DN RPM	RPP Panther Belt Widths (mm)				
	No. Teeth	P.D.	No. Teeth	P.D.		20	42	65	90	120		20	42	65	90	120
Multiply HP rating by the belt length factor to determine drive width - BELT LENGTH FACTOR																
3.00	30	5.26	90	15.79	583	50.50	106.16	164.36	227.61	303.52	387	37.42	78.67	121.79	168.66	224.90
3.10	29	5.09	90	15.79	564	48.85	102.69	158.97	220.16	293.57	374	36.17	76.05	117.73	163.04	217.41
3.11	36	6.32	112	19.65	563	60.33	126.83	196.35	271.91	362.59	373	44.88	94.34	146.05	202.26	269.71
3.18	68	11.93	216	37.90	551	108.63	228.36	353.54	489.60	652.87	365	83.54	175.62	271.89	376.53	502.09
3.20	60	10.53	192	33.69	547	97.37	204.69	316.89	438.84	585.19	363	74.10	155.77	241.16	333.97	445.34
3.21	28	4.91	90	15.79	544	47.19	99.20	153.58	212.68	283.61	361	34.93	73.42	113.67	157.42	209.91
3.23	52	9.12	168	29.48	542	85.51	179.76	278.29	385.39	513.91	359	64.49	135.57	209.88	290.65	387.58
3.27	44	7.72	144	25.26	535	73.13	153.74	238.02	329.62	439.54	354	54.74	115.07	178.15	246.71	328.99
3.29	34	5.97	112	19.65	531	57.07	119.98	185.75	257.23	343.02	352	42.40	89.12	137.98	191.08	254.80
3.38	64	11.23	216	37.90	519	103.08	216.69	335.47	464.58	619.51	344	78.84	165.74	256.60	355.35	473.85
3.43	56	9.83	192	33.69	510	91.51	192.37	297.82	412.43	549.97	338	69.31	145.71	225.58	312.40	416.58
3.50	48	8.42	168	29.48	500	79.38	166.87	258.34	357.77	477.08	331	59.63	125.36	194.07	268.75	358.38
3.50	32	5.61	112	19.65	500	53.80	113.09	175.08	242.46	323.32	331	39.91	83.90	129.89	179.88	239.86
3.60	60	10.53	216	37.90	486	97.37	204.69	316.89	438.84	585.19	322	74.10	155.77	241.16	333.97	445.34
3.60	40	7.02	144	25.26	486	66.78	140.39	217.34	300.98	401.35	322	49.82	104.73	162.14	224.54	299.42
3.69	52	9.12	192	33.69	474	85.51	179.76	278.29	385.39	513.91	314	64.49	135.57	209.88	290.65	387.58
3.73	30	5.26	112	19.65	469	50.50	106.16	164.36	227.61	303.52	311	37.42	78.67	121.79	168.66	224.90
3.79	38	6.67	144	25.26	462	63.57	133.63	206.88	286.50	382.04	306	47.35	99.54	154.10	213.41	284.58
3.82	44	7.72	168	29.48	458	73.13	153.74	238.02	329.62	439.54	304	54.74	115.07	178.15	246.71	328.99
3.86	56	9.83	216	37.90	454	91.51	192.37	297.82	412.43	549.97	301	69.31	145.71	225.58	312.40	416.58
3.86	29	5.09	112	19.65	453	48.85	102.69	158.97	220.16	293.57	300	36.17	76.05	117.73	163.04	217.41
4.00	48	8.42	192	33.69	438	79.38	166.87	258.34	357.77	477.08	290	59.63	125.36	194.07	268.75	358.38
4.00	36	6.32	144	25.26	438	60.33	126.83	196.35	271.91	362.59	290	44.88	94.34	146.05	202.26	269.71
4.00	28	4.91	112	19.65	438	47.19	99.20	153.58	212.68	283.61	290	34.93	73.42	113.67	157.42	209.91
4.15	52	9.12	216	37.90	421	85.51	179.76	278.29	385.39	513.91	279	64.49	135.57	209.88	290.65	387.58
4.20	40	7.02	168	29.48	417	66.78	140.39	217.34	300.98	401.35	276	49.82	104.73	162.14	224.54	299.42
4.24	34	5.97	144	25.26	413	57.07	119.98	185.75	257.23	343.02	274	42.40	89.12	137.98	191.08	254.80
4.36	44	7.72	192	33.69	401	73.13	153.74	238.02	329.62	439.54	266	54.74	115.07	178.15	246.71	328.99
4.42	38	6.67	168	29.48	396	63.57	133.63	206.88	286.50	382.04	262	47.35	99.54	154.10	213.41	284.58
4.50	48	8.42	216	37.90	389	79.38	166.87	258.34	357.77	477.08	258	59.63	125.36	194.07	268.75	358.38
4.50	32	5.61	144	25.26	389	53.80	113.09	175.08	242.46	323.32	258	39.91	83.90	129.89	179.88	239.86
4.67	36	6.32	168	29.48	375	60.33	126.83	196.35	271.91	362.59	249	44.88	94.34	146.05	202.26	269.71
4.80	40	7.02	192	33.69	365	66.78	140.39	217.34	300.98	401.35	242	49.82	104.73	162.14	224.54	299.42
4.80	30	5.26	144	25.26	365	50.50	106.16	164.36	227.61	303.52	242	37.42	78.67	121.79	168.66	224.90
4.91	44	7.72	216	37.90	356	73.13	153.74	238.02	329.62	439.54	236	54.74	115.07	178.15	246.71	328.99
4.94	34	5.97	168	29.48	354	57.07	119.98	185.75	257.23	343.02	235	42.40	89.12	137.98	191.08	254.80
4.97	29	5.09	144	25.26	352	48.85	102.69	158.97	220.16	293.57	234	36.17	76.05	117.73	163.04	217.41
5.05	38	6.67	192	33.69	346	63.57	133.63	206.88	286.50	382.04	230	47.35	99.54	154.10	213.41	284.58
5.14	28	4.91	144	25.26	340	47.19	99.20	153.58	212.68	283.61	226	34.93	73.42	113.67	157.42	209.91
5.25	32	5.61	168	29.48	333	53.80	113.09	175.08	242.46	323.32	221	39.91	83.90	129.89	179.88	239.86
5.33	36	6.32	192	33.69	328	60.33	126.83	196.35	271.91	362.59	218	44.88	94.34	146.05	202.26	269.71
5.40	40	7.02	216	37.90	324	66.78	140.39	217.34	300.98	401.35	215	49.82	104.73	162.14	224.54	299.42
5.60	30	5.26	168	29.48	313	50.50	106.16	164.36	227.61	303.52	207	37.42	78.67	121.79	168.66	224.90
5.65	34	5.97	192	33.69	310	57.07	119.98	185.75	257.23	343.02	205	42.40	89.12	137.98	191.08	254.80
5.68	38	6.67	216	37.90	308	63.57	133.63	206.88	286.50	382.04	204	47.35	99.54	154.10	213.41	284.58
5.79	29	5.09	168	29.48	302	48.85	102.69	158.97	220.16	293.57	200	36.17	76.05	117.73	163.04	217.41
6.00	36	6.32	216	37.90	292	60.33	126.83	196.35	271.91	362.59	193	44.88	94.34	146.05	202.26	269.71
6.00	32	5.61	192	33.69	292	53.80	113.09	175.08	242.46	323.32	193	39.91	83.90	129.89	179.88	239.86
6.00	28	4.91	168	29.48	292	47.19	99.20	153.58	212.68	283.61	193	34.93	73.42	113.67	157.42	209.91
6.35	34	5.97	216	37.90	275	57.07	119.98	185.75	257.23	343.02	183	42.40	89.12	137.98	191.08	254.80
6.40	30	5.26	192	33.69	273	50.50	106.16	164.36	227.61	303.52	181	37.42	78.67	121.79	168.66	224.90
6.62	29	5.09	192	33.69	264	48.85	102.69	158.97	220.16	293.57	175	36.17	76.05	117.73	163.04	217.41
6.75	32	5.61	216	37.90	259	53.80	113.09	175.08	242.46	323.32	172	39.91	83.90	129.89	179.88	239.86
6.86	28	4.91	192	33.69	255	47.19	99.20	153.58	212.68	283.61	169	34.93	73.42	113.67	157.42	209.91
7.20	30	5.26	216	37.90	243	50.50	106.16	164.36	227.61	303.52	161	37.42	78.67	121.79	168.66	224.90
7.45	29	5.09	216	37.90	235	48.85	102.69	158.97	220.16	293.57	156	36.17	76.05	117.73	163.04	217.41
7.71	28	4.91	216	37.90	227	47.19	99.20	153.58	212.68	283.61	150	34.93	73.42	113.67	157.42	209.91
Multiply HP rating by the belt length factor to determine drive width - BELT LENGTH FACTOR																



High HP HTS® 14mm Drive Selection Tables

Theoretical Center Distance in Inches for Various Belt Lengths																			
Belt Length Code (mm)																			
966	1190	1400	1610	1778	1890	2100	2310	2450	2590	2800	3150	3360	3500	3850	4326	4578	4956	Drive	
0.8	0.8	0.9	0.9	0.95	0.95	1	1	1.05	1.05	1.1	1.1	1.15	1.15	1.2	1.2	1.25	1.25	Ratio	
			14.2 14.3	17.7 17.8	20.0 20.1 15.3	24.2 24.4 19.8	28.5 28.6 24.2	31.3 31.4 27.0	34.0 34.2 29.8	38.2 38.4 34.1	45.2 45.3 41.1	49.3 49.5 45.3	52.1 52.2 48.0 26.5	59.0 59.2 55.0 34.2	68.4 68.6 64.4 44.1	73.4 73.5 69.4 49.3	80.9 81.0 76.9 56.9	3.00 3.10 3.11 3.18	
			14.4	17.9	20.2 15.6	24.5 20.0	28.7 17.3 24.4	31.5 20.4 27.3	34.3 23.4 30.1	38.5 22.5 27.8 34.3	45.4 30.0 35.0 41.3	49.6 34.3 39.3 45.5	52.1 37.2 42.1 48.3	59.3 44.3 49.1 55.3	68.7 53.9 58.6 64.7	73.7 58.9 63.6 69.7	81.1 66.5 71.1 77.1	3.20 3.21 3.22 3.23 3.27 3.29	
											24.9 30.4 41.6	29.5 34.8 45.8	32.5 37.7 48.6 27.4	34.6 39.8 44.8 35.1	44.6 49.5 54.4 45.0	49.7 54.6 59.4 50.2	57.4 62.2 67.0 77.4	3.38 3.43 3.50 3.50 3.60	
							17.7	20.8	23.9	28.3	35.5 25.4 41.8 35.7 30.9	39.7 30.0 46.0 42.8 35.2	42.6 33.0 48.8 42.8 38.1	49.6 40.3 55.8 49.8 45.3	59.1 50.0 65.2 59.4 54.9	64.1 55.1 70.2 64.4 59.9	71.6 62.7 77.7 71.9 67.5	3.60 3.69 3.73 3.79 3.82	
				13.6	16.1	20.6	25.0	27.8	30.7	34.9	42.0 25.8 36.0 42.1	46.1 30.4 40.2 46.3	48.9 33.4 43.1 49.1	55.9 40.7 50.1 56.0	65.3 50.5 59.6 65.5	70.3 55.6 64.6 70.4	77.8 63.2 72.1 77.9	3.86 3.86 4.00 4.00 4.00	
				13.7	16.2	20.7	25.1	28.0	30.8	35.1	42.1	46.3	49.1	56.0	65.5	70.4	77.9	4.00	
													24.9 35.7 26.2 31.5	28.2 38.6 30.9 35.9	35.9 45.7 41.2 46.0	46.0 55.4 51.0 55.6	51.2 60.4 56.1 60.7	58.9 68.0 63.7 68.2	4.15 4.20 4.36 4.42
													25.3 40.7 36.2 40.9	28.6 43.5 39.1 43.8	36.4 50.6 46.2 50.8	46.4 65.1 60.9 65.4	51.6 72.6 68.5 72.9	59.3 4.50 4.67 4.80	
													25.8 29.1 26.8 19.7	29.1 36.4 31.5 41.2	36.8 46.5 41.9 51.1	46.9 56.1 51.7 60.6	52.1 61.2 56.8 65.6	59.8 4.91 4.94 4.97 5.05 5.14	
													19.7 27.1 26.2 19.9	24.6 31.7 29.5 24.8	32.2 34.8 37.3 39.8	46.7 42.1 47.3 46.9	56.3 57.1 52.6 61.6	61.4 64.7 60.3 69.2	5.25 5.33 5.40 5.60 5.65
													26.4 37.0 26.6 27.5 32.7	29.7 39.9 29.9 35.2 37.1	37.5 47.1 37.7 42.6 47.2	47.6 56.7 47.8 52.4 56.8	52.8 61.8 53.0 57.5 61.9	60.5 69.3 60.8 65.2 69.5	5.68 5.79 6.00 6.00 6.00
													26.8 27.7 27.8 27.9	30.1 32.4 32.5 32.6	37.9 42.8 42.9 38.2 43.1	48.0 52.6 52.8 48.3 52.9	53.3 61.0 65.4 65.5 61.3 65.7	6.35 6.40 6.62 6.75 6.86	
													27.2 21.7 21.8	30.5 27.3 27.4	38.4 38.5 38.6	48.5 48.6 48.7	53.7 53.8 54.0	61.5 61.6 61.7	7.20 7.45 7.71
966	1190	1400	1610	1778	1890	2100	2310	2450	2590	2800	3150	3360	3500	3850	4326	4578	4956	Drive Ratio	

PULLEYS

8 mm High HP HTS® Belt Horsepower Ratings



The following tables represent the horsepower ratings for each belt at the pre-determined No. of Teeth, Pitch Diameters and rpm's. These ratings must be multiplied by the applicable belt length factor to obtain corrected HP rating.

		12mm (.47 in.) Wide Belt (8M-12)															
No. Teeth		22	24	26	28	30	32	34	36	38	40	44	48	56	64	72	80
PD	mm	56.02	61.12	66.21	71.30	76.39	81.49	86.58	91.67	96.77	101.86	112.05	122.23	142.60	162.97	183.35	203.72
	in.	2.21	2.41	2.61	2.81	3.01	3.21	3.41	3.61	3.81	4.01	4.41	4.81	5.61	6.42	7.22	8.02
870		3.92	4.31	4.70	5.09	5.48	5.88	6.27	6.67	7.07	7.48	8.28	9.10	10.74	12.39	14.06	15.74
1160		4.90	5.38	5.87	6.36	6.85	7.34	7.83	8.33	8.83	9.33	10.34	11.35	13.39	15.44	17.51	19.58
1750		6.73	7.39	8.06	8.72	9.40	10.07	10.74	11.42	12.10	12.78	14.15	15.52	18.27	21.02	23.77	26.51
3450		11.31	12.40	13.49	14.59	15.68	16.77	17.86	18.95	20.04	21.11	23.26	25.37	29.50	33.47		
10		0.07	0.07	0.08	0.09	0.09	0.10	0.10	0.11	0.12	0.12	0.14	0.15	0.18	0.20	0.23	0.26
20		0.13	0.14	0.15	0.16	0.17	0.19	0.20	0.21	0.22	0.24	0.26	0.28	0.33	0.39	0.44	0.49
30		0.18	0.20	0.22	0.24	0.25	0.27	0.29	0.31	0.32	0.34	0.38	0.41	0.49	0.56	0.63	0.71
50		0.29	0.32	0.35	0.38	0.40	0.43	0.46	0.49	0.52	0.55	0.60	0.66	0.78	0.89	1.01	1.13
70		0.40	0.44	0.47	0.51	0.55	0.59	0.63	0.67	0.71	0.74	0.82	0.90	1.06	1.22	1.38	1.54
100		0.55	0.61	0.66	0.71	0.76	0.82	0.87	0.93	0.98	1.03	1.14	1.25	1.47	1.69	1.92	2.14
200		1.05	1.15	1.25	1.35	1.45	1.55	1.65	1.75	1.85	1.96	2.16	2.37	2.78	3.20	3.62	4.05
300		1.52	1.66	1.81	1.95	2.10	2.25	2.40	2.54	2.69	2.84	3.14	3.44	4.04	4.65	5.26	5.88
400		1.98	2.17	2.36	2.55	2.74	2.93	3.12	3.31	3.51	3.70	4.09	4.48	5.27	6.06	6.85	7.65
500		2.43	2.66	2.89	3.13	3.36	3.60	3.83	4.07	4.31	4.54	5.02	5.50	6.47	7.44	8.41	9.39
600		2.87	3.15	3.42	3.70	3.98	4.25	4.53	4.81	5.09	5.37	5.94	6.51	7.64	8.79	9.94	11.10
700		3.31	3.62	3.94	4.26	4.58	4.90	5.22	5.54	5.87	6.19	6.84	7.49	8.81	10.13	11.45	12.78
800		3.74	4.10	4.46	4.82	5.18	5.54	5.90	6.27	6.63	7.00	7.73	8.47	9.95	11.44	12.94	14.44
900		4.03	4.42	4.82	5.22	5.63	6.03	6.44	6.85	7.26	7.67	8.50	9.34	11.02	12.72	14.43	16.15
1000		4.37	4.80	5.23	5.67	6.11	6.55	6.99	7.43	7.88	8.32	9.22	10.13	11.95	13.79	15.64	17.50
1100		4.70	5.17	5.63	6.10	6.57	7.05	7.52	8.00	8.48	8.96	9.92	10.90	12.86	14.83	16.82	18.81
1200		5.03	5.53	6.02	6.53	7.03	7.53	8.04	8.55	9.06	9.58	10.61	11.65	13.74	15.84	17.96	20.08
1300		5.35	5.88	6.41	6.94	7.48	8.01	8.55	9.10	9.64	10.19	11.28	12.38	14.60	16.83	19.08	21.32
1400		5.67	6.23	6.79	7.35	7.92	8.48	9.05	9.63	10.20	10.78	11.94	13.10	15.45	17.80	20.16	22.53
1500		5.98	6.57	7.16	7.75	8.35	8.95	9.55	10.15	10.76	11.36	12.58	13.81	16.27	18.75	21.23	23.71
1600		6.28	6.90	7.52	8.14	8.77	9.40	10.03	10.67	11.30	11.94	13.22	14.50	17.08	19.67	22.26	24.85
1700		6.58	7.23	7.88	8.53	9.19	9.85	10.51	11.17	11.84	12.50	13.84	15.18	17.88	20.58	23.28	25.97
1800		6.88	7.56	8.23	8.92	9.60	10.29	10.98	11.67	12.36	13.06	14.45	15.85	18.66	21.47	24.27	27.05
1900		7.17	7.88	8.58	9.29	10.01	10.72	11.44	12.16	12.88	13.60	15.06	16.51	19.42	22.33	25.23	28.11
2000		7.46	8.19	8.93	9.66	10.41	11.15	11.89	12.64	13.39	14.14	15.65	17.15	20.17	23.18	26.17	29.14
2500		8.85	9.72	10.58	11.46	12.33	13.20	14.08	14.96	15.84	16.71	18.47	20.22	23.71	27.15	30.54	33.85
3000		10.17	11.16	12.15	13.14	14.14	15.13	16.13	17.12	18.11	19.11	21.08	23.04	26.91	30.68	34.33	
3500		11.43	12.53	13.64	14.74	15.85	16.95	18.05	19.15	20.24	21.33	23.49	25.62	29.77	33.75		
4000		12.63	13.84	15.05	16.26	17.46	18.66	19.86	21.04	22.22	23.39	25.70	27.96	32.29			
4500		13.78	15.09	16.40	17.70	18.99	20.27	21.55	22.81	24.06	25.29	27.70	30.04				
5000		14.89	16.29	17.68	19.06	20.43	21.78	23.12	24.44	25.74	27.02	29.50					

		22mm (.87 in.) Wide Belt (8M-22)															
No. Teeth		22	24	26	28	30	32	34	36	38	40	44	48	56	64	72	80
870		7.20	7.91	8.62	9.34	10.06	10.78	11.51	12.24	12.98	13.72	15.20	16.69	19.70	22.74	25.80	28.88
1160		8.99	9.88	10.77	11.66	12.56	13.47	14.37	15.29	16.20	17.12	18.97	20.82	24.56	28.33	32.12	35.92
1750		12.35	13.56	14.78	16.01	17.24	18.47	19.71	20.95	22.20	23.45	25.96	28.47	33.52	38.57	43.62	48.65
3450		20.75	22.75	24.76	26.76	28.77	30.78	32.78	34.77	36.76	38.74	42.67	46.55	54.13	61.41		
10		0.12	0.13	0.15	0.16	0.17	0.18	0.19	0.20	0.22	0.23	0.25	0.28	0.32	0.37	0.42	0.47
20		0.23	0.25	0.27	0.30	0.32	0.34	0.36	0.39	0.41	0.43	0.48	0.52	0.61	0.71	0.80	0.89
30		0.33	0.37	0.40	0.43	0.46	0.50	0.53	0.56	0.59	0.63	0.69	0.76	0.89	1.03	1.16	1.30
50		0.54	0.59	0.64	0.69	0.74	0.79	0.85	0.90	0.95	1.00	1.11	1.21	1.43	1.64	1.86	2.08
70		0.73	0.80	0.87	0.94	1.01	1.08	1.15	1.22	1.30	1.37	1.51	1.65	1.95	2.24	2.53	2.83
100		1.01	1.11	1.21	1.31	1.40	1.50	1.60	1.70	1.80	1.90	2.10	2.30	2.70	3.11	3.52	3.93
200		1.92	2.10	2.29	2.47	2.66	2.84	3.03	3.21	3.40	3.59	3.97	4.35	5.11	5.88	6.65	7.43
300		2.78	3.05	3.32	3.59	3.86	4.13	4.40	4.67	4.94	5.21	5.76	6.31	7.42	8.53	9.66	10.78
400		3.63	3.98	4.32	4.67	5.02	5.37	5.73	6.08	6.44	6.79	7.51	8.22	9.66	11.12	12.58	14.04
500		4.46	4.88	5.31	5.74	6.17	6.60	7.03	7.47	7.90	8.34	9.21	10.09	11.86	13.65	15.44	17.24
600		5.27	5.77	6.28	6.78	7.29	7.80	8.32	8.83	9.34	9.86	10.90	11.94	14.03	16.13	18.25	20.37
700		6.07	6.65	7.23	7.82	8.40	8.99	9.58	10.17	10.77	11.36	12.55	13.75	16.16	18.58	21.01	23.45
800		6.86	7.52	8.18	8.84	9.50	10.17	10.83	11.50	12.17	12.84	14.19	15.54	18.26	20.99	23.74	26.50
900		7.39	8.12	8.85	9.59	10.33	11.07	11.82	12.57	13.32	14.08	15.60	17.13	20.22	23.34	26.48	29.64
1000		8.02	8.81	9.60	10.40	11.20	12.01	12.82	13.63	14.45	15.28	16.92	18.58	21.93	25.30	28.70	32.11
1100		8.63	9.48	10.33	11.19	12.06	12.93	13.80	14.67	15.55	16.44	18.21	19.99	23.59	27.21	30.85	34.51
1200		9.23	10.14	11.05	11.97	12.90	13.82	14.76	15.69	16.63	17.57	19.47	21.37	25.21	29.07	32.95	36.85
1300		9.82	10.79	11.76	12.73	13.72	14.70	15.69	16.69	17.69	18.69	20.70	22.72	26.79	30.89	35.00	39.12
1400		10.40	11.42	12.45	13.48	14.52	15.57	16.61	17.66	18.72	19.78	21.91	24.04	28.34	32.66	37.00	41.34
1500		10.97	12.05	13.13	14.22	15.31	16.41	17.52	18.62	19.74	20.85	23.09	25.34	29.86	34.40	38.95	43.49
1600		11.53	12.66	13.80	14.94	16.09	17.25	18.41	19.57	20.73	21.90	24.25	26.61	31.35	36.10	40.85	45.59
1700		12.08	13.27	14.46	15.66	16.86	18.07	19.28	20.50	21.72	22.94	25.39	27.86	32.80	37.76	42.71	47.64
1800		12.62	13.86	15.11	16.36	17.61	18.87	20.14	21.41	22.68	23.96	26.52	29.08	34.23	39.38	44.52	49.64
1900		13.16	14.45	15.75	17.05	18.36	19.67	20.99	22.31	23.63	24.96	27.62	30.29	35.63	40.97	46.29	51.58
2000		13.69	15.03	16.38	17.73	19.09	20.46	21.82	23.20	24.57	25.95	28.71	31.47	37.01	42.53	48.02	53.46
2500		16.24	17.83	19.42	21.02	22.62	24.22	25.83	27.44	29.05	30.67	33.89	37.10	43.50	49.82	56.03	62.11
3000																	



8 mm High HP HTS® Belt Horsepower Ratings

The following tables represent the horsepower ratings for each belt at the pre-determined No. of Teeth, Pitch Diameters and rpm's. These ratings must be multiplied by the applicable belt length factor to obtain corrected HP rating.

35mm (1.38 in.) Wide Belt (8M-35)																	
No. Teeth	22	24	26	28	30	32	34	36	38	40	44	48	56	64	72	80	
	PD mm	56.02	61.12	66.21	71.30	76.39	81.49	86.58	91.67	96.77	101.86	112.05	122.23	142.60	162.97	183.35	203.72
PD in.	2.21	2.41	2.61	2.81	3.01	3.21	3.41	3.61	3.81	4.01	4.41	4.81	5.61	6.42	7.22	8.02	
Smallest Sprocket RPM	870	11.46	12.58	13.72	14.86	16.01	17.16	18.32	19.49	20.66	21.83	24.19	26.56	31.35	36.19	41.06	45.97
	1160	14.31	15.72	17.14	18.56	19.99	21.43	22.88	24.33	25.78	27.25	30.18	33.14	39.09	45.09	51.12	57.17
	1750	19.66	21.59	23.53	25.48	27.43	29.40	31.37	33.35	35.33	37.32	41.31	45.32	53.35	61.39	69.42	77.42
	3450	33.02	36.20	39.40	42.59	45.79	48.98	52.16	55.34	58.50	61.65	67.91	74.08	86.15	97.72		
	10	0.19	0.21	0.23	0.25	0.27	0.29	0.31	0.33	0.34	0.36	0.40	0.44	0.52	0.59	0.67	0.75
	20	0.37	0.40	0.44	0.47	0.51	0.54	0.58	0.62	0.65	0.69	0.76	0.83	0.98	1.12	1.27	1.42
	30	0.53	0.58	0.63	0.69	0.74	0.79	0.84	0.89	0.95	1.00	1.10	1.21	1.42	1.63	1.85	2.06
	50	0.85	0.93	1.02	1.10	1.18	1.26	1.35	1.43	1.51	1.60	1.76	1.93	2.27	2.61	2.96	3.30
	70	1.16	1.27	1.38	1.50	1.61	1.72	1.83	1.95	2.06	2.18	2.40	2.63	3.10	3.56	4.03	4.50
	100	1.61	1.77	1.92	2.08	2.23	2.39	2.55	2.70	2.86	3.02	3.34	3.66	4.30	4.94	5.59	6.25
	200	3.05	3.34	3.64	3.93	4.23	4.52	4.82	5.12	5.41	5.71	6.31	6.92	8.13	9.35	10.58	11.82
	300	4.43	4.86	5.28	5.71	6.14	6.57	7.00	7.43	7.86	8.30	9.17	10.04	11.81	13.58	15.37	17.16
	400	5.77	6.33	6.88	7.44	7.99	8.55	9.12	9.68	10.24	10.81	11.95	13.09	15.38	17.69	20.02	22.35
	500	7.09	7.77	8.45	9.13	9.82	10.50	11.19	11.88	12.58	13.27	14.66	16.07	18.88	21.72	24.57	27.43
	600	8.38	9.19	9.99	10.80	11.61	12.42	13.23	14.05	14.87	15.69	17.34	18.99	22.32	25.67	29.04	32.42
	700	9.66	10.58	11.51	12.44	13.37	14.31	15.25	16.19	17.13	18.08	19.98	21.88	25.71	29.57	33.44	37.33
	800	10.92	11.97	13.01	14.06	15.12	16.18	17.24	18.30	19.37	20.44	22.58	24.73	29.06	33.41	37.78	42.17
	900	11.76	12.92	14.08	15.26	16.43	17.62	18.81	20.00	21.20	22.41	24.83	27.27	32.18	37.14	42.14	47.17
	1000	12.76	14.02	15.28	16.55	17.83	19.11	20.40	21.70	23.00	24.30	26.93	29.57	34.89	40.26	45.67	51.10
	1100	13.74	15.09	16.45	17.82	19.19	20.57	21.96	23.35	24.75	26.16	28.98	31.82	37.54	43.30	49.10	54.93
1200	14.69	16.14	17.59	19.05	20.52	22.00	23.48	24.97	26.47	27.97	30.98	34.01	40.11	46.26	52.44	58.64	
1300	15.63	17.17	18.71	20.27	21.83	23.40	24.97	26.56	28.15	29.74	32.94	36.16	42.64	49.15	55.70	62.26	
1400	16.55	18.18	19.81	21.46	23.11	24.77	26.44	28.11	29.79	31.48	34.86	38.26	45.10	51.98	58.88	65.79	
1500	17.46	19.17	20.89	22.63	24.37	26.12	27.88	29.64	31.41	33.18	36.75	40.32	47.52	54.74	61.98	69.22	
1600	18.35	20.15	21.96	23.78	25.61	27.45	29.29	31.14	33.00	34.86	38.60	42.35	49.88	57.44	65.01	72.56	
1700	19.22	21.11	23.01	24.91	26.83	28.75	30.68	32.62	34.56	36.51	40.41	44.34	52.20	60.09	67.97	75.82	
1800	20.09	22.06	24.04	26.03	28.03	30.04	32.05	34.07	36.10	38.13	42.20	46.29	54.48	62.68	70.85	78.99	
1900	20.94	23.00	25.06	27.13	29.22	31.30	33.40	35.50	37.61	39.72	43.96	48.20	56.71	65.21	73.67	82.08	
2000	21.79	23.92	26.06	28.22	30.38	32.55	34.73	36.91	39.10	41.29	45.69	50.09	58.90	67.69	76.42	85.08	
2500	25.85	28.37	30.91	33.45	36.00	38.55	41.11	43.67	46.24	48.80	53.93	59.05	69.23	79.29	89.18	98.85	
3000	29.70	32.59	35.48	38.38	41.28	44.19	47.09	49.99	52.89	55.79	61.55	67.28	78.57	89.59	100.24		
3500	33.38	36.60	39.82	43.05	46.27	49.49	52.71	55.91	59.10	62.28	68.58	74.81	86.94	98.56			

60mm (2.36 in.) Wide Belt (8M-60)																	
No. Teeth	22	24	26	28	30	32	34	36	38	40	44	48	56	64	72	80	
	PD mm	56.02	61.12	66.21	71.30	76.39	81.49	86.58	91.67	96.77	101.86	112.05	122.23	142.60	162.97	183.35	
PD in.	2.21	2.41	2.61	2.81	3.01	3.21	3.41	3.61	3.81	4.01	4.41	4.81	5.61	6.42	7.22	8.02	
Smallest Sprocket RPM	870	19.64	21.58	23.52	25.48	27.45	29.43	31.42	33.41	35.42	41.48	45.55	53.76	62.05	70.41	78.82	
	1160	24.54	26.95	29.38	31.83	34.28	36.75	39.23	41.72	44.21	46.72	51.76	56.82	67.03	77.31	87.65	98.03
	1750	33.71	37.01	40.34	43.68	47.04	50.41	53.79	57.18	60.58	63.99	70.84	77.70	91.47	105.26	119.03	132.74
	3450	56.61	62.08	67.56	73.03	78.51	83.98	89.44	94.89	100.31	105.71	116.44	127.03	147.72	167.57		
	10	0.33	0.36	0.40	0.43	0.46	0.49	0.52	0.56	0.59	0.62	0.69	0.75	0.89	1.02	1.15	1.29
	20	0.63	0.69	0.75	0.81	0.87	0.93	0.99	1.05	1.12	1.18	1.30	1.43	1.68	1.93	2.18	2.44
	30	0.91	1.00	1.09	1.18	1.26	1.35	1.44	1.53	1.62	1.71	1.89	2.07	2.43	2.80	3.17	3.54
	50	1.46	1.60	1.74	1.88	2.02	2.17	2.31	2.45	2.59	2.74	3.02	3.31	3.90	4.48	5.07	5.66
	70	1.99	2.18	2.37	2.57	2.76	2.95	3.15	3.34	3.53	3.73	4.12	4.52	5.31	6.11	6.91	7.72
	100	2.77	3.03	3.30	3.56	3.83	4.10	4.37	4.64	4.91	5.18	5.72	6.27	7.37	8.48	9.59	10.71
	200	5.23	5.73	6.24	6.74	7.25	7.75	8.26	8.77	9.28	9.80	10.83	11.86	13.94	16.04	18.15	20.27
	300	7.60	8.33	9.05	9.79	10.52	11.26	12.00	12.74	13.48	14.23	15.72	17.22	20.24	23.29	26.35	29.42
	400	9.90	10.85	11.80	12.75	13.71	14.67	15.63	16.60	17.56	18.53	20.48	22.44	26.37	30.34	34.32	38.32
	500	12.16	13.32	14.48	15.66	16.83	18.01	19.19	20.38	21.56	22.75	25.15	27.55	32.38	37.24	42.12	47.03
	600	14.38	15.75	17.13	18.51	19.90	21.29	22.69	24.09	25.50	26.91	29.73	32.57	38.28	44.02	49.79	55.59
	700	16.57	18.15	19.74	21.33	22.93	24.54	26.15	27.76	29.38	31.00	34.25	37.52	44.09	50.70	57.34	64.00
	800	18.73	20.52	22.31	24.12	25.93	27.74	29.56	31.38	33.21	35.04	38.72	42.41	49.83	57.29	64.78	72.30
	900	20.17	22.15	24.15	26.16	28.18	30.21	32.25	34.30	36.36	38.42	42.58	46.75	55.18	63.69	72.26	80.88
	1000	21.88	24.03	26.20	28.38	30.57	32.77	34.98	37.21	39.44	41.67	46.18	50.70	59.83	69.04	78.31	87.63
	1100	23.55	25.87	28.20	30.55	32.90	35.27	37.65	40.04	42.44	44.85	49.69	54.55	64.36	74.25	84.19	94.18
1200	25.19	27.67	30.16	32.67	35.19	37.72	40.26	42.82	45.38	47.95	53.12	58.32	68.78	79.33	89.92	100.55	
1300	26.80	29.43	32.09	34.75	37.43	40.12	42.82	45.54	48.26	50.99	56.48	62.00	73.11	84.28	95.51	106.76	
1400	28.38	31.17	33.97	36.79	39.63	42.48	45.34	48.21	51.08	53.97	59.78	65.61	77.34	89.13	100.96	112.80	
1500	29.93	32.87	35.83	38.80	41.79	44.79	47.80	50.82	53.86	56.90	63.01	69.14	81.48	93.87	106.28	118.69	
1600	31.46	34.55	37.65	40.78	43.91	47.06	50.23	53.40	56.58	59.77	66.18	72.61	85.54	98.50	111.47	124.42	
1700	32.96	36.20	39.45	42.72	46.00	49.30	52.61	55.93	59.26	62.60	69.30</						

14 mm High HP HTS® Belt Horsepower Ratings



The following tables represent the horsepower ratings for each belt at the pre-determined No. of Teeth, Pitch Diameters and rpm's. These ratings must be multiplied by the applicable belt length factor to obtain corrected HP rating.

		20mm (.79 in.) Wide Belt (14M-20)																
No. Teeth	PD	28	29	30	32	34	36	38	40	44	48	52	56	60	64	68	72	80
		mm in.	4.91	5.09	5.26	5.61	5.97	6.32	6.67	7.02	7.72	8.42	9.12	9.82	10.53	11.23	11.93	12.63
870		28.21	29.23	30.24	32.26	34.29	36.31	38.33	40.34	44.37	48.39	52.40	56.39	60.37	64.33	68.27	72.20	79.99
1160		34.93	36.17	37.42	39.91	42.40	44.88	47.35	49.82	54.74	59.63	64.49	69.31	74.10	78.84	83.54	88.19	97.34
1750		47.19	48.85	50.50	53.80	57.07	60.33	63.57	66.78	73.13	79.38	85.51	91.51	97.37	103.08	108.63	114.01	
3450		74.98	77.34	79.68	84.23	88.63	92.87											
10		0.46	0.47	0.49	0.52	0.56	0.59	0.62	0.65	0.72	0.78	0.85	0.92	0.98	1.05	1.11	1.18	1.31
20		0.87	0.90	0.93	0.99	1.05	1.11	1.18	1.24	1.36	1.48	1.61	1.73	1.86	1.98	2.10	2.23	2.48
30		1.26	1.30	1.35	1.44	1.53	1.62	1.71	1.80	1.98	2.16	2.34	2.52	2.70	2.88	3.06	3.24	3.59
50		2.01	2.08	2.15	2.30	2.44	2.59	2.73	2.87	3.16	3.45	3.74	4.02	4.31	4.60	4.89	5.18	5.75
70		2.74	2.84	2.94	3.13	3.33	3.52	3.72	3.92	4.31	4.70	5.09	5.48	5.88	6.27	6.66	7.05	7.84
100		3.80	3.94	4.08	4.35	4.62	4.89	5.17	5.44	5.98	6.53	7.07	7.61	8.16	8.70	9.25	9.79	10.88
200		7.20	7.46	7.71	8.23	8.74	9.26	9.77	10.29	11.32	12.35	13.37	14.40	15.43	16.46	17.49	18.52	20.57
300		10.45	10.83	11.20	11.95	12.69	13.44	14.19	14.93	16.43	17.92	19.41	20.90	22.40	23.89	25.38	26.87	29.84
400		13.62	14.10	14.59	15.56	16.53	17.51	18.48	19.45	21.39	23.34	25.28	27.22	29.16	31.09	33.03	34.96	38.83
500		16.72	17.31	17.91	19.10	20.29	21.49	22.68	23.87	26.25	28.63	31.01	33.39	35.76	38.13	40.49	42.86	47.57
600		19.76	20.47	21.17	22.58	23.99	25.40	26.81	28.21	31.02	33.83	36.63	39.43	42.23	45.02	47.80	50.58	56.12
700		22.76	23.58	24.39	26.01	27.63	29.25	30.87	32.49	35.72	38.94	42.16	45.37	48.58	51.77	54.96	58.14	64.47
800		25.73	26.64	27.56	29.39	31.22	33.05	34.87	36.70	40.34	43.97	47.60	51.21	54.81	58.40	61.98	65.54	72.63
900		28.94	29.97	31.01	33.09	35.16	37.23	39.30	41.37	45.49	49.61	53.71	57.79	61.86	65.92	69.95	73.96	81.91
1000		31.29	32.41	33.53	35.77	38.01	40.24	42.47	44.70	49.14	53.57	57.98	62.36	66.72	71.06	75.37	79.64	88.10
1100		33.58	34.78	35.98	38.38	40.77	43.16	45.55	47.93	52.67	57.40	62.09	66.76	71.39	75.99	80.55	85.07	93.97
1200		35.81	37.09	38.37	40.92	43.46	46.00	48.54	51.06	56.10	61.10	66.06	70.99	75.87	80.71	85.49	90.23	99.52
1300		37.99	39.34	40.69	43.39	46.08	48.76	51.44	54.11	59.41	64.68	69.89	75.06	80.17	85.23	90.21	95.13	104.75
1400		40.11	41.54	42.96	45.80	48.63	51.45	54.26	57.06	62.63	68.14	73.59	78.98	84.30	89.54	94.71	99.78	109.66
1500		42.19	43.69	45.18	48.15	51.12	54.07	57.01	59.94	65.75	71.49	77.16	82.75	88.25	93.66	98.97	104.18	114.24
1600		44.22	45.78	47.34	50.45	53.54	56.62	59.69	62.73	68.77	74.73	80.59	86.37	92.03	97.58	103.01	108.31	118.48
1700		46.21	47.84	49.46	52.69	55.91	59.11	62.29	65.45	71.70	77.86	83.90	89.83	95.63	101.30	106.81	112.18	
1800		48.16	49.85	51.53	54.89	58.22	61.54	64.83	68.09	74.54	80.88	87.08	93.15	99.06	104.81	110.39		
1900		50.06	51.81	53.56	57.03	60.48	63.90	67.29	70.66	77.29	83.79	90.13	96.31	102.31	108.12			
2000		51.93	53.74	55.54	59.12	62.68	66.20	69.69	73.15	79.95	86.59	93.05	99.32	105.38	111.21			
2500		60.71	62.78	64.83	68.88	72.88	76.82	80.70	84.50	91.89	98.95							
3000		68.61	70.87	73.10	77.49	81.77	85.96	90.02	93.97									
3500		75.64	78.02	80.36	84.92	89.32	93.56											
		42mm (1.65 in.) Wide Belt (14M-42)																
870		59.31	61.44	63.57	67.82	72.08	76.32	80.57	84.81	93.28	101.73	110.15	118.54	126.90	135.23	143.52	151.78	168.15
1160		73.42	76.05	78.67	83.90	89.12	94.34	99.54	104.73	115.07	125.36	135.57	145.71	155.77	165.74	175.62	185.40	204.63
1750		99.20	102.69	106.16	113.09	119.98	126.83	133.63	140.39	153.74	166.87	179.76	192.37	204.69	216.69	228.36	239.67	
3450		157.62	162.59	167.50	177.07	186.32	195.23											
10		0.96	1.00	1.03	1.10	1.17	1.24	1.31	1.37	1.51	1.65	1.79	1.92	2.06	2.20	2.34	2.48	2.75
20		1.82	1.88	1.95	2.08	2.21	2.34	2.47	2.60	2.86	3.12	3.38	3.64	3.90	4.16	4.42	4.68	5.20
30		2.64	2.74	2.83	3.02	3.21	3.40	3.59	3.78	4.15	4.53	4.91	5.29	5.67	6.04	6.42	6.80	7.56
50		4.23	4.38	4.53	4.83	5.13	5.44	5.74	6.04	6.65	7.25	7.86	8.46	9.07	9.67	10.28	10.88	12.09
70		5.76	5.97	6.17	6.59	7.00	7.41	7.82	8.23	9.06	9.88	10.71	11.53	12.35	13.18	14.00	14.83	16.48
100		8.00	8.28	8.57	9.14	9.71	10.29	10.86	11.43	12.57	13.72	14.86	16.01	17.15	18.30	19.44	20.59	22.87
200		15.13	15.67	16.22	17.30	18.38	19.46	20.54	21.62	23.79	25.95	28.12	30.28	32.44	34.60	36.77	38.93	43.25
300		21.97	22.76	23.54	25.11	26.68	28.25	29.82	31.39	34.53	37.67	40.81	43.94	47.08	50.21	53.35	56.48	62.74
400		28.62	29.65	30.67	32.71	34.76	36.80	38.85	40.89	44.97	49.06	53.14	57.22	61.29	65.36	69.43	73.50	81.62
500		35.14	36.39	37.65	40.16	42.66	45.17	47.68	50.18	55.19	60.19	65.19	70.18	75.17	80.15	85.13	90.10	100.01
600		41.54	43.03	44.51	47.47	50.43	53.39	56.35	59.31	65.22	71.12	77.01	82.89	88.77	94.63	100.49	106.33	117.97
700		47.85	49.56	51.27	54.68	58.08	61.49	64.89	68.29	75.08	81.86	88.63	95.38	102.12	108.84	115.54	122.22	135.52
800		54.09	56.01	57.94	61.79	65.63	69.47	73.31	77.15	84.80	92.44	100.06	107.66	115.23	122.78	130.30	137.79	152.68
900		60.83	63.01	65.19	69.55	73.91	78.26	82.61	86.96	95.63	104.28	112.90	121.49	130.05	138.57	147.04	155.47	172.19
1000		65.78	68.14	70.49	75.20	79.90	84.60	89.28	93.97	103.31	112.61	121.88	131.09	140.26	149.38	158.43	167.43	185.21
1100		70.60	73.12	75.64	80.68	85.71	90.74	95.75	100.76	110.73	120.66	130.53	140.33	150.07	159.74	169.32	178.83	197.55
1200		75.29	77.97	80.66	86.02	91.37	96.71	102.03	107.34	117.92	128.44	138.87	149.23	159.49	169.66	179.73	189.68	209.21
1300		79.86	82.70	85.54	91.21	96.87	102.51	108.14	113.74	124.89	135.96	146.93	157.79	168.54	179.16	189.65	199.99	220.21
1400		84.33	87.32	90.31	96.28	102.23	108.16	114.07	119.96	131.66	143.24	154.70	166.03	177.21	188.24	199.09	209.77	230.52
1500		88.69	91.83	94.97	101.23	107.46	113.67	119.85	126.00	138.21	150.28	162.20	173.95	185.52	196.90	208.06	219.00	240.15
1600		92.96	96.25	99.52	106.06	112.56	119.03	125.47	131.88	144.57	157.09	169.43	181.56	193.47	205.13	216.55	227.69	249.08
1700		97.14	100.56	103.98	110.77	117.54	124.26	130.95	137.59	150.73	163.67	176.38	188.84	201.04	212.95	224.55	235.82	
1800		101.24	104.79	108.33	115.38	122.40	129.36	136.28	143.14	156.70	170.02	183.07	195.82	208.25	220.33	232.05		
1900		105.24	108.92	112.59	119.89	127.14	134.33	141.46	148.54	162.49	176.14	189.48	202.47	215.08	227.28			
2000		109.17	112.97	116.76	124.29	131.76	139.17	146.51	153.78	168.08	182.04	195.62	208.80	221.53	233.79			
2500		127.63	131.97	136.28	144.80	153.21	161.49	169.64	177.64	193.17	208.02							
3000		144.24	148.97	153.66	162.89	171.91	180.70	189.25	197.55									

14 mm High HP HTS® Belt Horsepower Ratings



The following tables represent the horsepower ratings for each belt at the pre-determined No. of Teeth, Pitch Diameters and rpm's. These ratings must be multiplied by the applicable belt length factor to obtain corrected HP rating.

		120mm (4.72 in.) Wide Belt (14M-120)																
No. Teeth	PD mm in.	28	29	30	32	34	36	38	40	44	48	52	56	60	64	68	72	80
				124.78 4.91	129.23 5.09	133.69 5.26	142.60 5.61	151.52 5.97	160.43 6.32	169.34 6.67	178.25 7.02	196.08 7.72	213.90 8.42	231.73 9.12	249.55 9.82	267.38 10.53	285.21 11.23	303.03 11.93
Smallest Sprocket RPM	870	169.57	175.66	181.74	193.90	206.06	218.21	230.34	242.47	266.68	290.82	314.90	338.90	362.81	386.62	410.32	433.91	480.71
	1160	209.91	217.41	224.90	239.86	254.80	269.71	284.58	299.42	328.99	358.38	387.58	416.58	445.34	473.85	502.09	530.05	585.01
	1750	283.61	293.57	303.52	323.32	343.02	362.59	382.04	401.35	439.54	477.08	513.91	549.97	585.19	619.51	652.87	685.20	
	3450	450.62	464.84	478.86	506.23	532.68	558.13											
	10	2.75	2.85	2.95	3.14	3.34	3.54	3.73	3.93	4.32	4.72	5.11	5.50	5.90	6.29	6.68	7.08	7.86
	20	5.20	5.39	5.57	5.95	6.32	6.69	7.06	7.43	8.18	8.92	9.67	10.41	11.16	11.90	12.64	13.39	14.88
	30	7.55	7.82	8.09	8.63	9.17	9.71	10.26	10.80	11.88	12.96	14.04	15.12	16.20	17.28	18.36	19.44	21.61
	50	12.09	12.52	12.95	13.81	14.68	15.54	16.41	17.27	19.00	20.73	22.46	24.19	25.92	27.65	29.38	31.11	34.57
	70	16.47	17.06	17.65	18.83	20.00	21.18	22.36	23.54	25.89	28.25	30.61	32.96	35.32	37.68	40.03	42.39	47.11
	100	22.87	23.69	24.50	26.14	27.77	29.41	31.04	32.68	35.95	39.22	42.49	45.76	49.04	52.31	55.58	58.85	65.39
	200	43.27	44.81	46.36	49.45	52.54	55.64	58.73	61.82	68.01	74.19	80.38	86.56	92.75	98.93	105.11	111.30	123.65
	300	62.82	65.06	67.31	71.80	76.29	80.77	85.26	89.75	98.72	107.70	116.67	125.63	134.60	143.56	152.52	161.47	179.36
	400	81.84	84.76	87.68	93.53	99.37	105.21	111.06	116.90	128.58	140.25	151.92	163.57	175.23	186.87	198.50	210.13	233.34
	500	100.46	104.05	107.63	114.80	121.97	129.14	136.30	143.46	157.78	172.08	186.37	200.65	214.91	229.15	243.37	257.58	285.92
	600	118.77	123.01	127.24	135.71	144.18	152.64	161.10	169.55	186.45	203.32	220.17	236.99	253.78	270.55	287.28	303.98	337.26
	700	136.81	141.69	146.57	156.31	166.05	175.79	185.52	195.24	214.65	234.04	253.38	272.68	291.94	311.15	330.31	349.41	387.44
	800	154.63	160.14	165.64	176.64	187.64	198.62	209.59	220.56	242.45	264.28	286.06	307.78	329.43	351.01	372.51	393.92	436.49
	900	173.90	180.14	186.38	198.84	211.30	223.75	236.18	248.61	273.41	298.13	322.78	347.34	371.80	396.15	420.38	444.48	492.27
	1000	188.06	194.80	201.53	214.99	228.43	241.85	255.26	268.64	295.35	321.95	348.43	374.79	401.00	427.06	452.95	478.66	529.49
	1100	201.83	209.04	216.26	230.66	245.05	259.41	273.75	288.05	316.57	344.95	373.16	401.20	429.05	456.68	484.08	511.25	564.77
	1200	215.24	222.92	230.59	245.91	261.21	276.47	291.70	306.89	337.13	367.19	397.03	426.63	455.98	485.05	513.82	542.27	598.12
	1300	228.31	236.44	244.56	260.77	276.94	293.07	309.15	325.18	357.06	388.70	420.06	451.12	481.84	512.21	542.19	571.76	629.55
	1400	241.08	249.65	258.20	275.26	292.27	309.23	326.12	342.95	376.39	409.51	442.29	474.67	506.64	538.16	569.19	599.70	659.04
	1500	253.57	262.55	271.51	289.40	307.22	324.97	342.64	360.23	395.14	429.65	463.72	497.32	530.39	562.91	594.83	626.10	686.57
	1600	265.78	275.16	284.53	303.21	321.80	340.31	358.72	377.03	413.31	449.11	484.38	519.06	553.10	586.46	619.09	650.93	712.09
	1700	277.73	287.50	297.26	316.70	336.03	355.26	374.37	393.36	430.93	467.92	504.26	539.89	574.76	608.80	641.96	674.18	
	1800	289.43	299.58	309.71	329.87	349.92	369.83	389.61	409.24	448.01	486.07	523.37	559.82	595.36	629.91	663.42		
	1900	300.88	311.40	321.88	342.75	363.47	384.04	404.44	424.66	464.53	503.57	541.70	578.84	614.89	649.79			
	2000	312.11	322.97	333.80	355.33	376.69	397.87	418.86	439.63	480.52	520.42	559.26	596.93	633.34	668.39			
	2500	364.89	377.29	389.60	413.98	438.03	461.70	484.98	507.85	552.25	594.71							
3000	412.36	425.90	439.31	465.69	491.47	516.60	541.05	564.77										
3500	454.60	468.88	482.94	510.38	536.84	562.27												